



US00D359812S

United States Patent [19]

[11] Patent Number: **Des. 359,812**

Bancroft

[45] Date of Patent: **** Jun. 27, 1995**

[54] **PRY GUARD FRAME ELEMENT**

[76] Inventor: **Joseph C. Bancroft**, 102 Sweetwater Club Blvd., Longwood, Fla. 32750

[**] Term: **14 Years**

[21] Appl. No.: **30,878**

[22] Filed: **Nov. 10, 1994**

[52] U.S. Cl. **D25/124**

[58] Field of Search **D25/124, 60, 199; 49/26-28, 50, 56, 124, 383, 462, 507; 16/137, 250**

[56] **References Cited**

U.S. PATENT DOCUMENTS

3,611,666	10/1971	Pogser et al.	D25/124
3,680,937	8/1972	Steeley	49/383
3,911,622	10/1975	Prohaoka	49/383
4,040,142	8/1977	Ippolito	16/137
4,878,267	11/1989	Roach et al.	49/383

Primary Examiner—Doris Clark
Attorney, Agent, or Firm—Macdonald J. Wiggins

[57] **CLAIM**

The ornamental design for a pry guard frame element, as shown and described.

DESCRIPTION

FIG. 1 is a fragmentary top perspective view of the pry guard frame element showing my design;
FIG. 2 is a top plan view thereof broken away to indicate indeterminate length;
FIG. 3 is a bottom plan view thereof broken away to indicate indeterminate length;
FIG. 4 is a front elevation view thereof in which the rear elevation view is a mirror image of the front view;
FIG. 5 is a right elevational view thereof broken away to indicate indeterminate length; and,
FIG. 6 is a left elevational view thereof broken away to indicate indeterminate length.

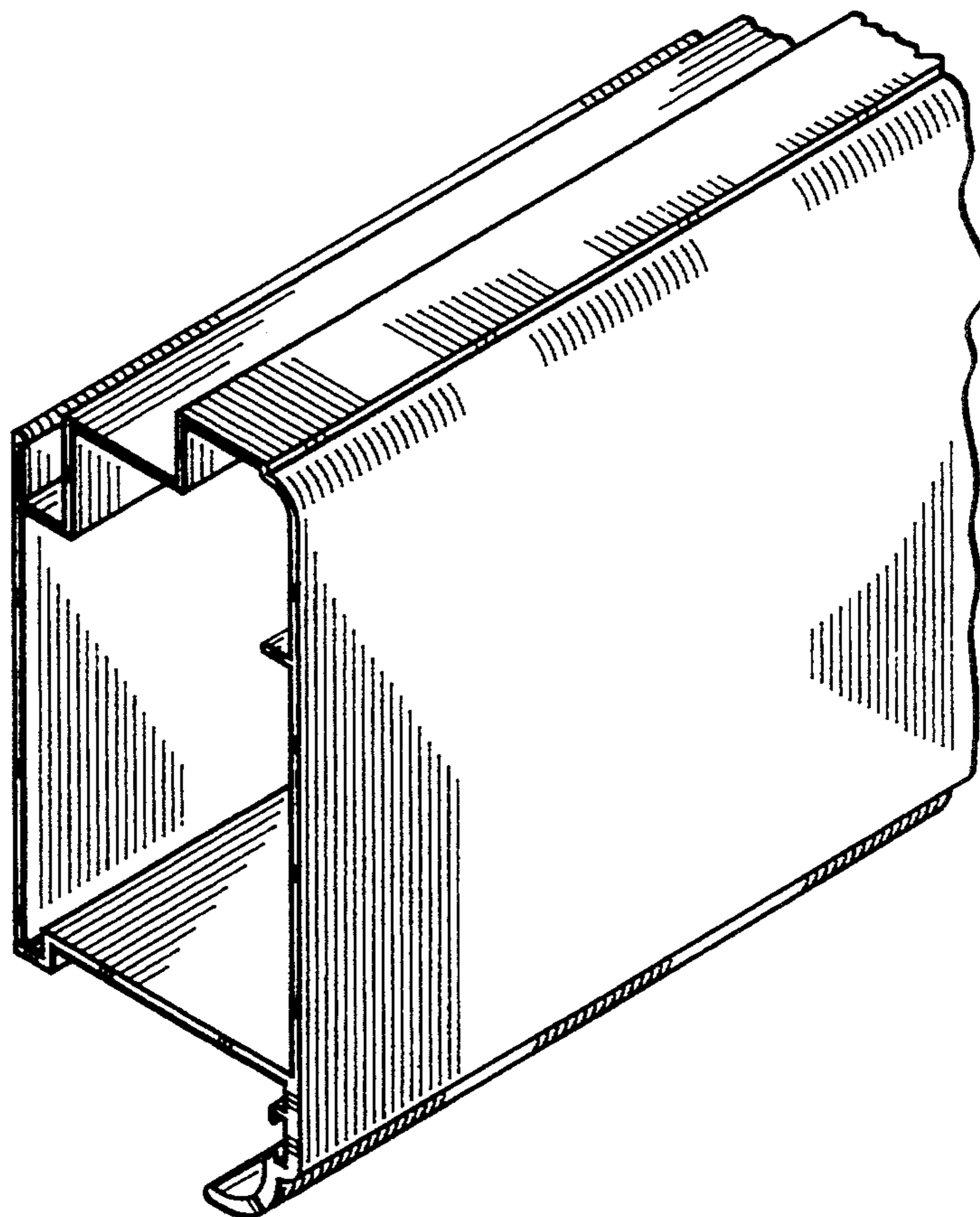


FIG. 2

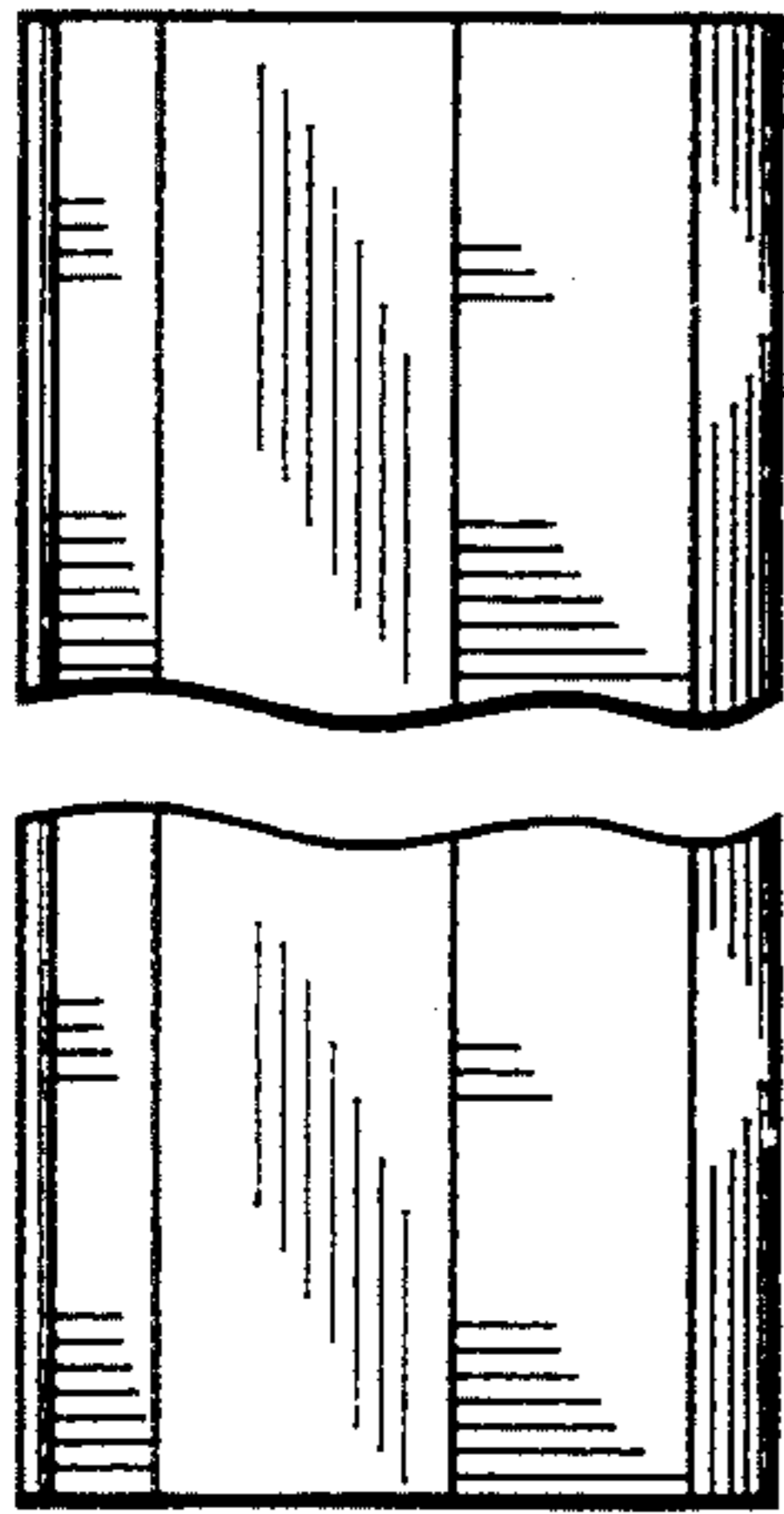


FIG. 1

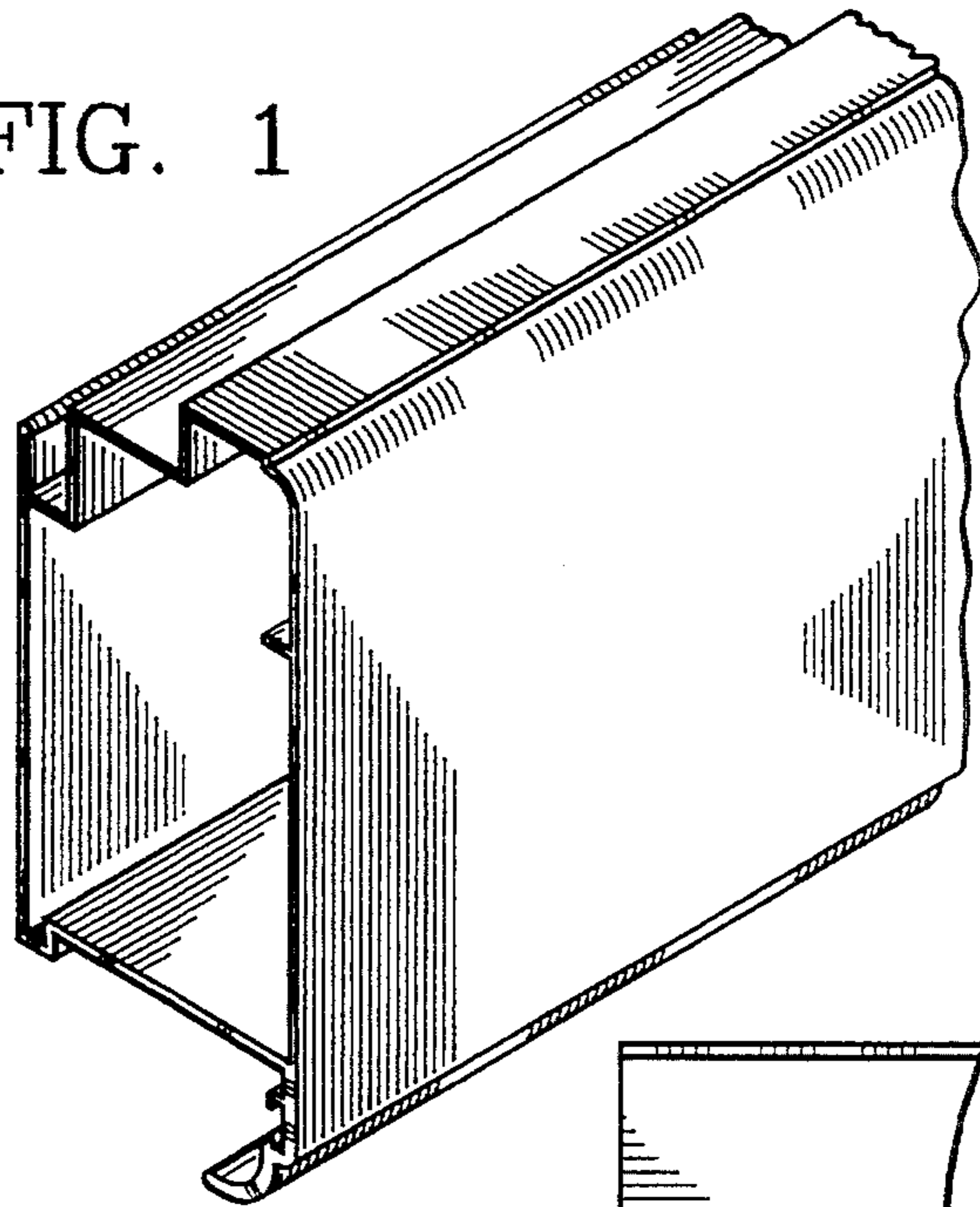


FIG. 3

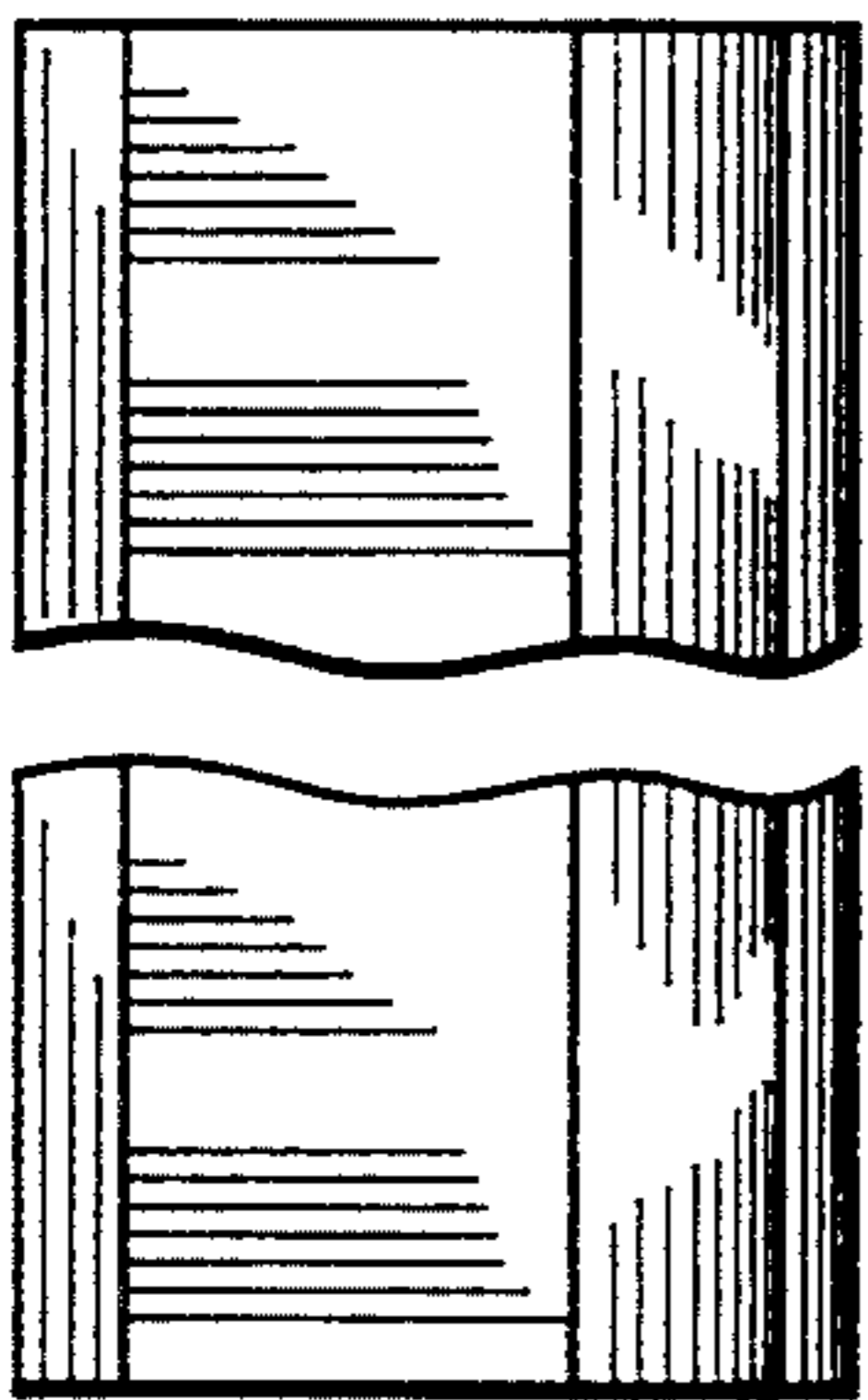


FIG. 5

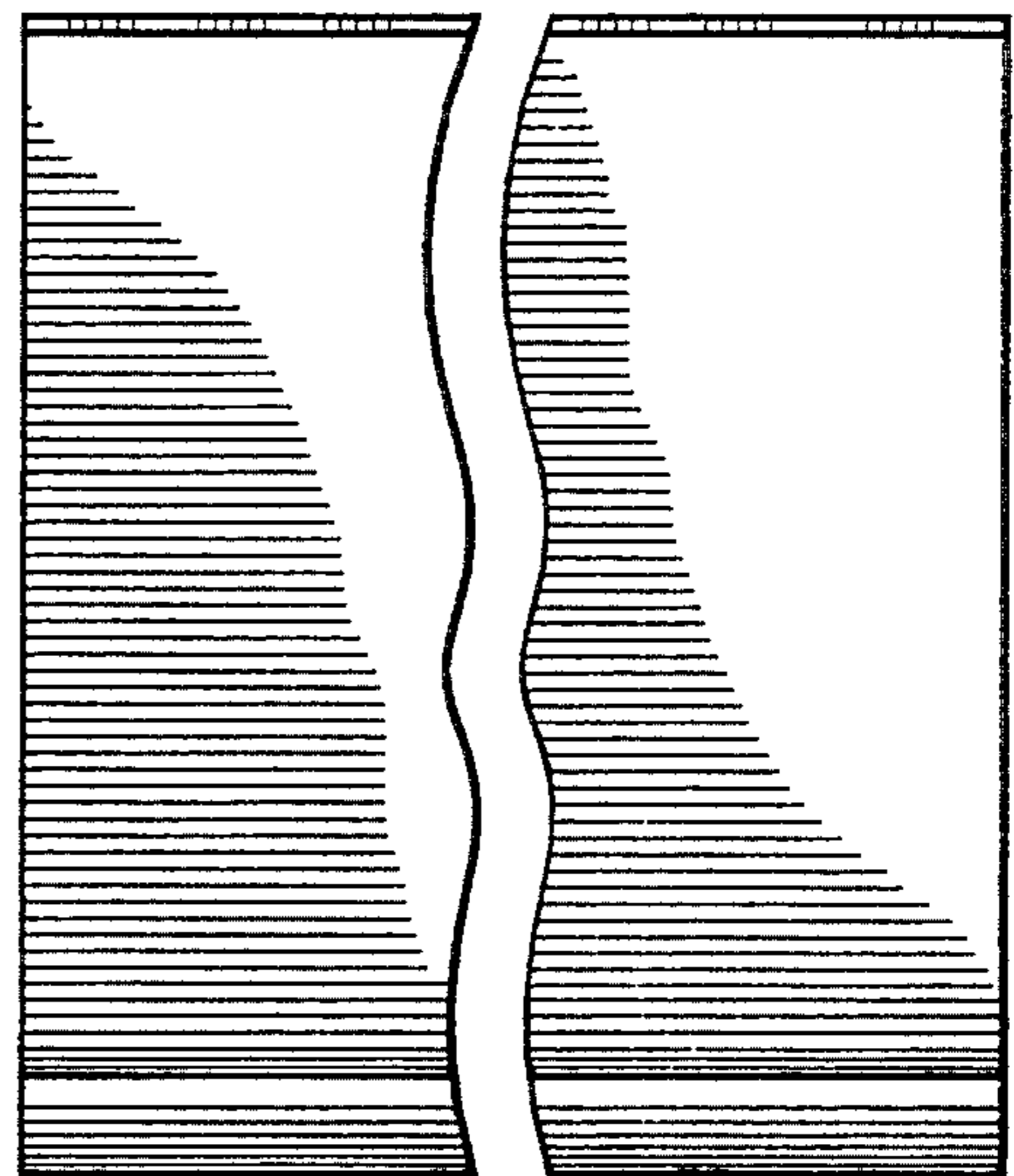


FIG. 4

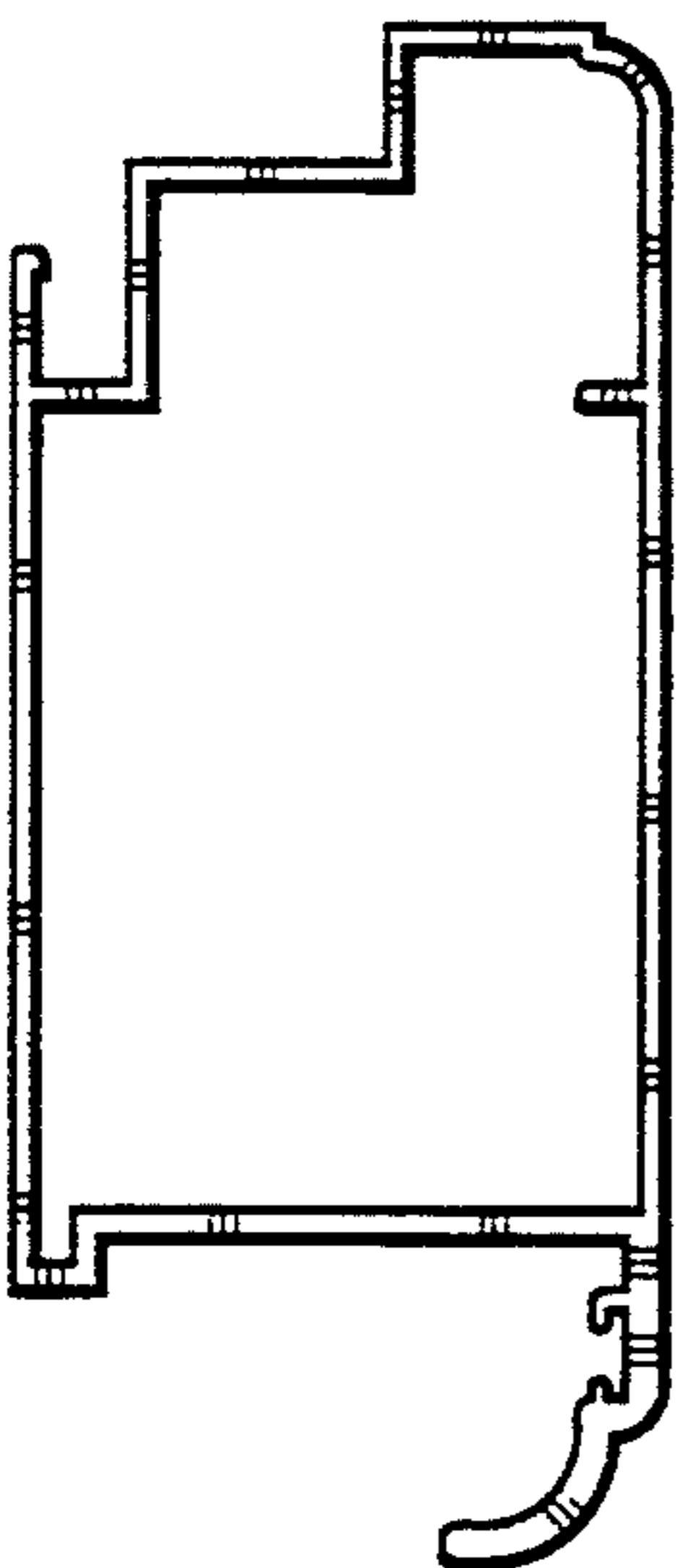


FIG. 6

