



US00D359808S

United States Patent [19]

[11] Patent Number: **Des. 359,808**

Raghava

[45] Date of Patent: **** Jun. 27, 1995**

[54] **FEEDING NIPPLE**

[75] Inventor: **Ajit S. Raghava**, Bangkok, Thailand

[73] Assignee: **Playskool, Inc.**, Pawtucket, R.I.

[**] Term: **14 Years**

[21] Appl. No.: **17,984**

[22] Filed: **Jan. 26, 1994**

[52] U.S. Cl. **D24/196**

[58] Field of Search D24/196, 194; 606/234,
606/235, 236; 215/11.1-11.6

[56] **References Cited**

U.S. PATENT DOCUMENTS

D. 160,940 11/1950 Griesinger D24/196

D. 330,938 11/1992 Sakashita D24/196

D. 339,197 9/1993 Ziegler D24/196

Primary Examiner—Stella Reid

Attorney, Agent, or Firm—Kurt R. Benson

[57] **CLAIM**

The ornamental design for a feeding nipple, as shown and described.

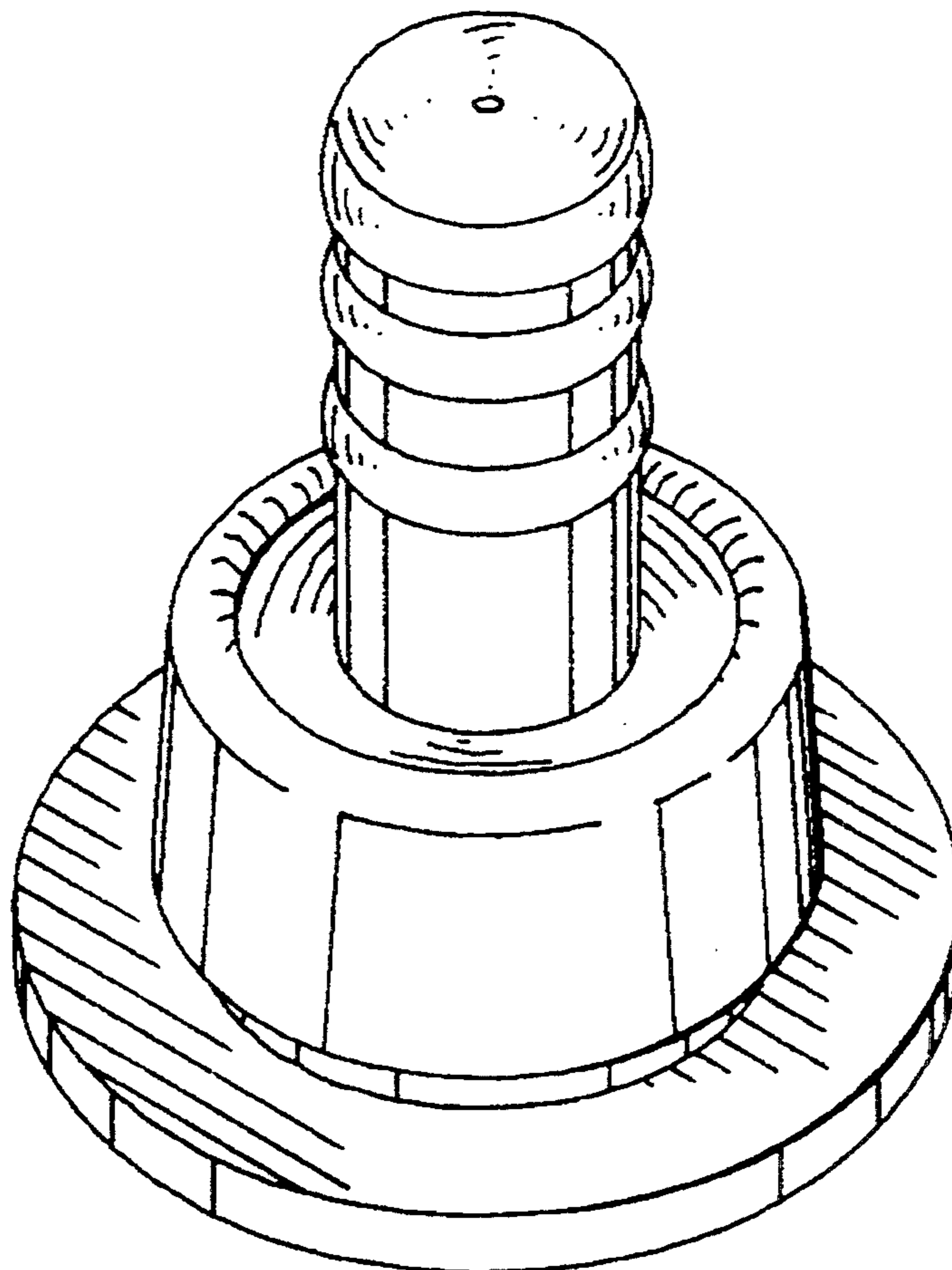
DESCRIPTION

FIG. 1 is a perspective view a feeding nipple, showing my new design;

FIG. 2 is a top plan view thereof;

FIG. 3 is a bottom plan view thereof; and,

FIG. 4 is a side elevational view thereof, with all other sides being a mirror image.



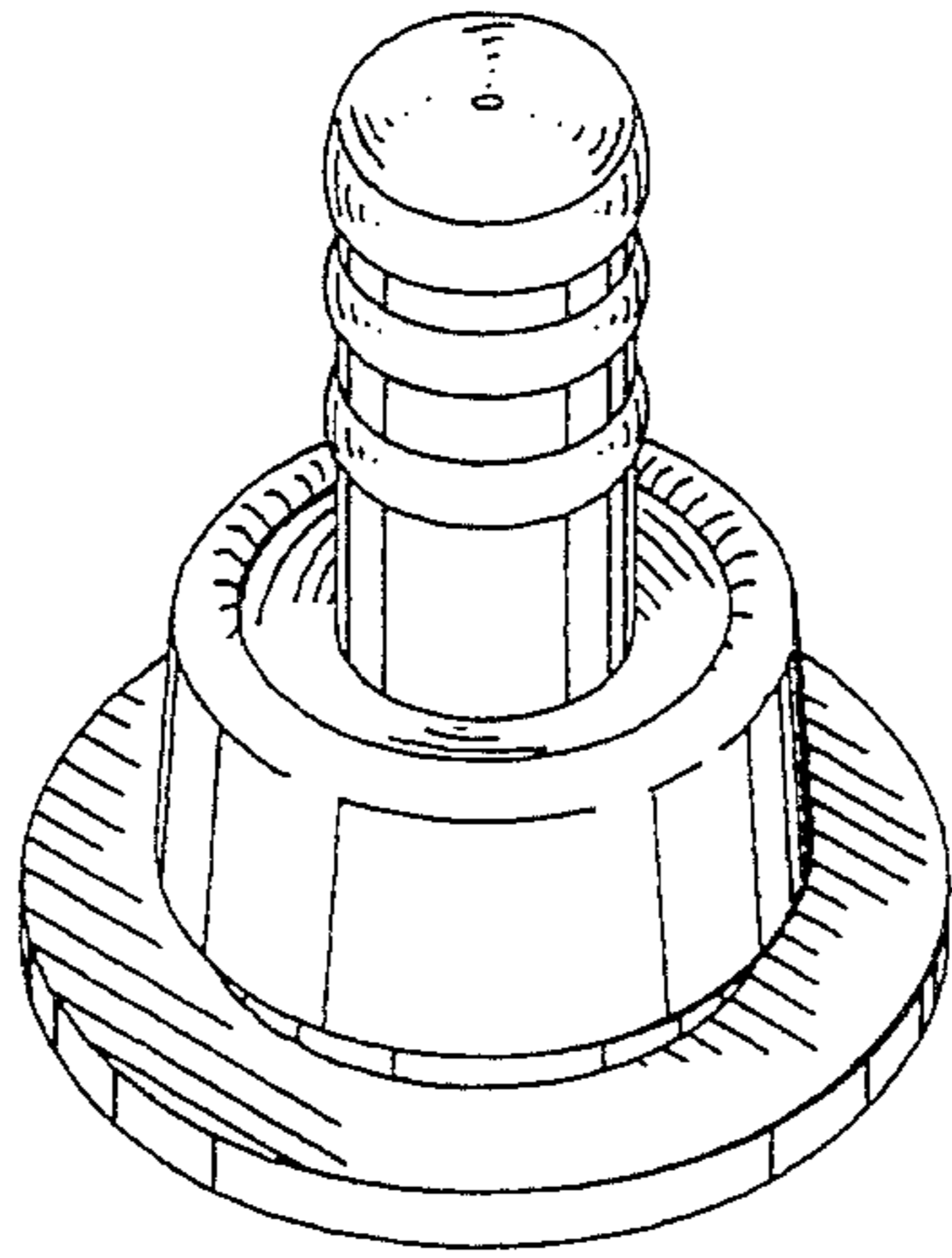


FIG. 1

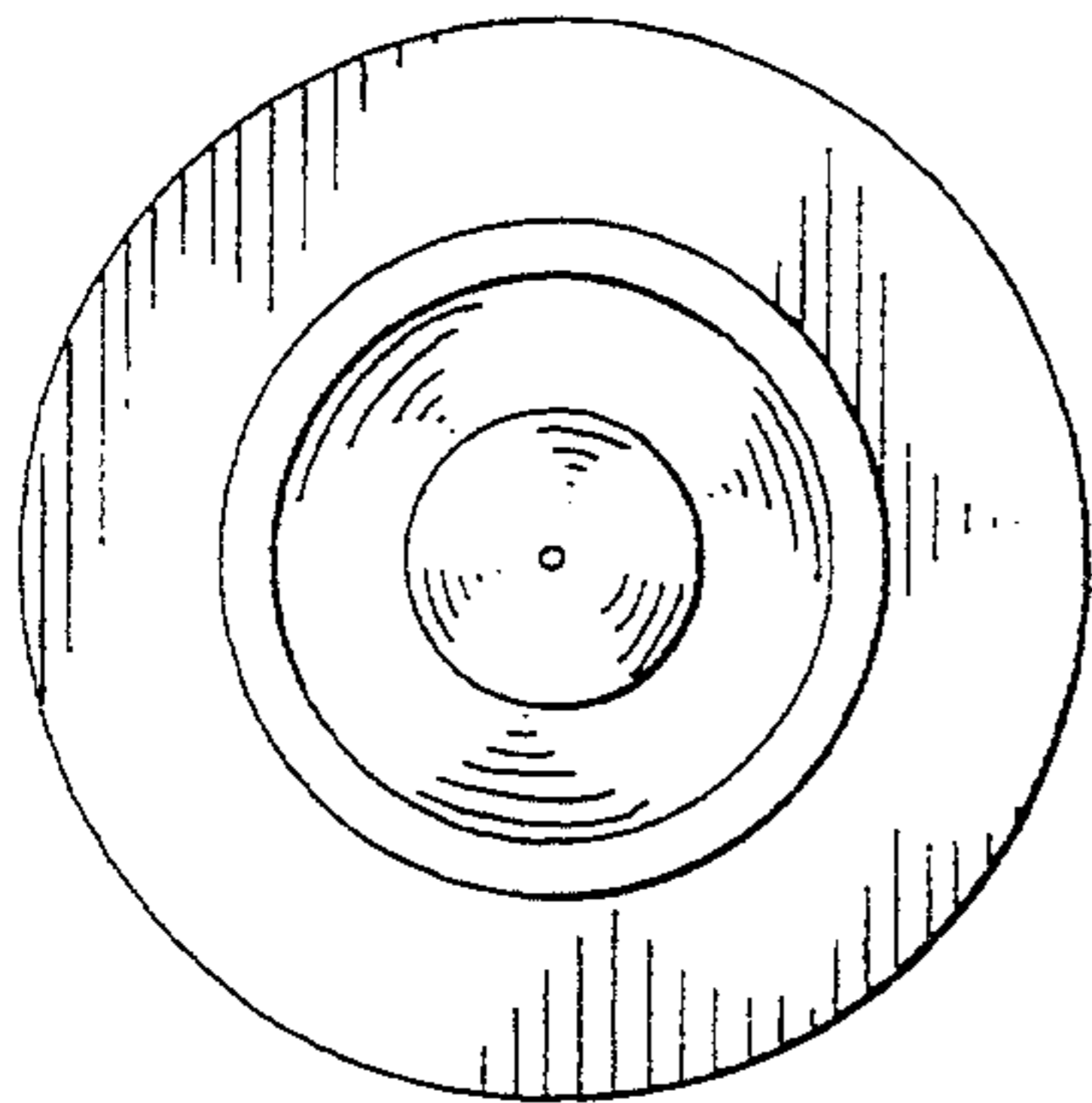


FIG. 2

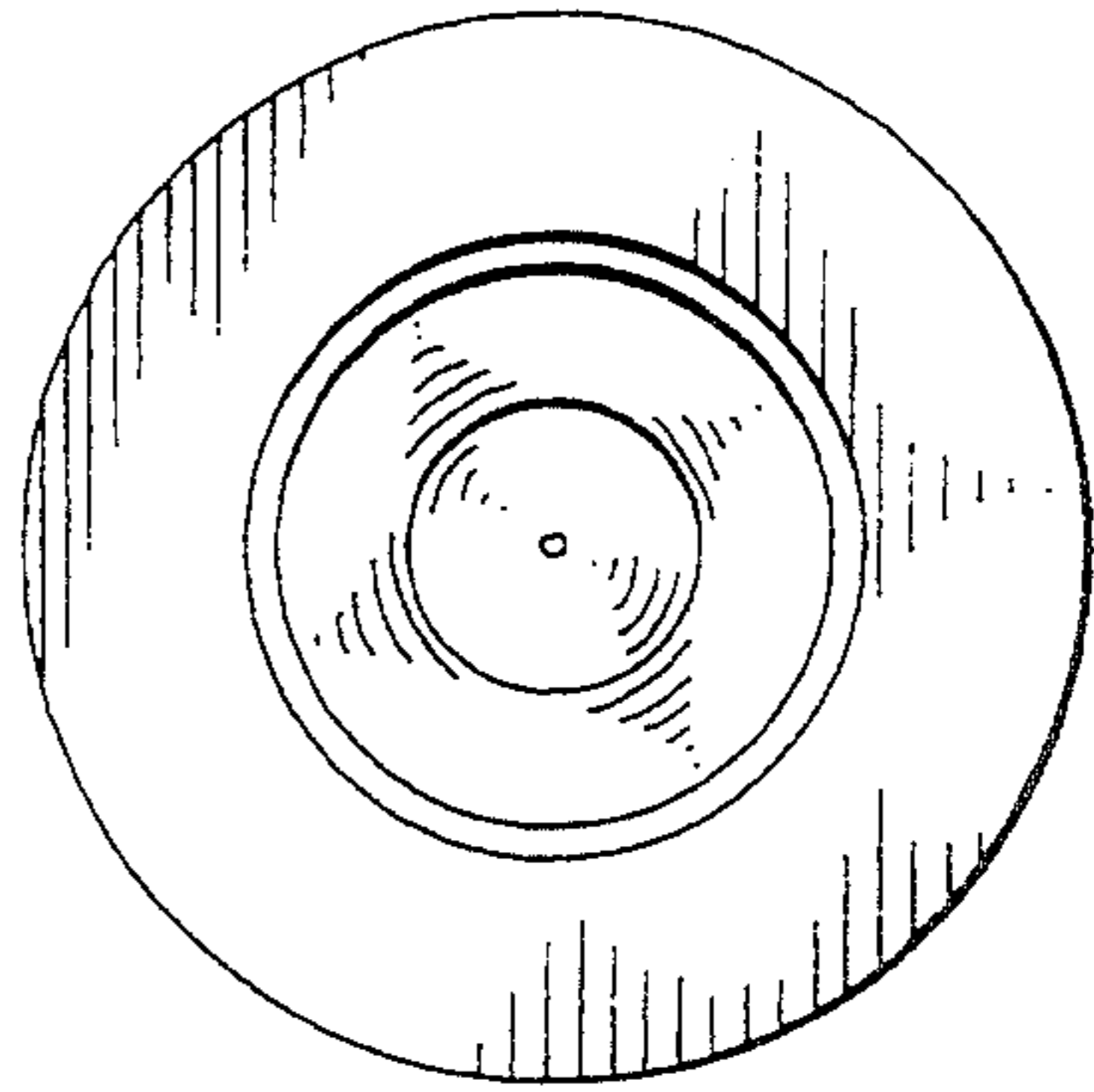


FIG. 3

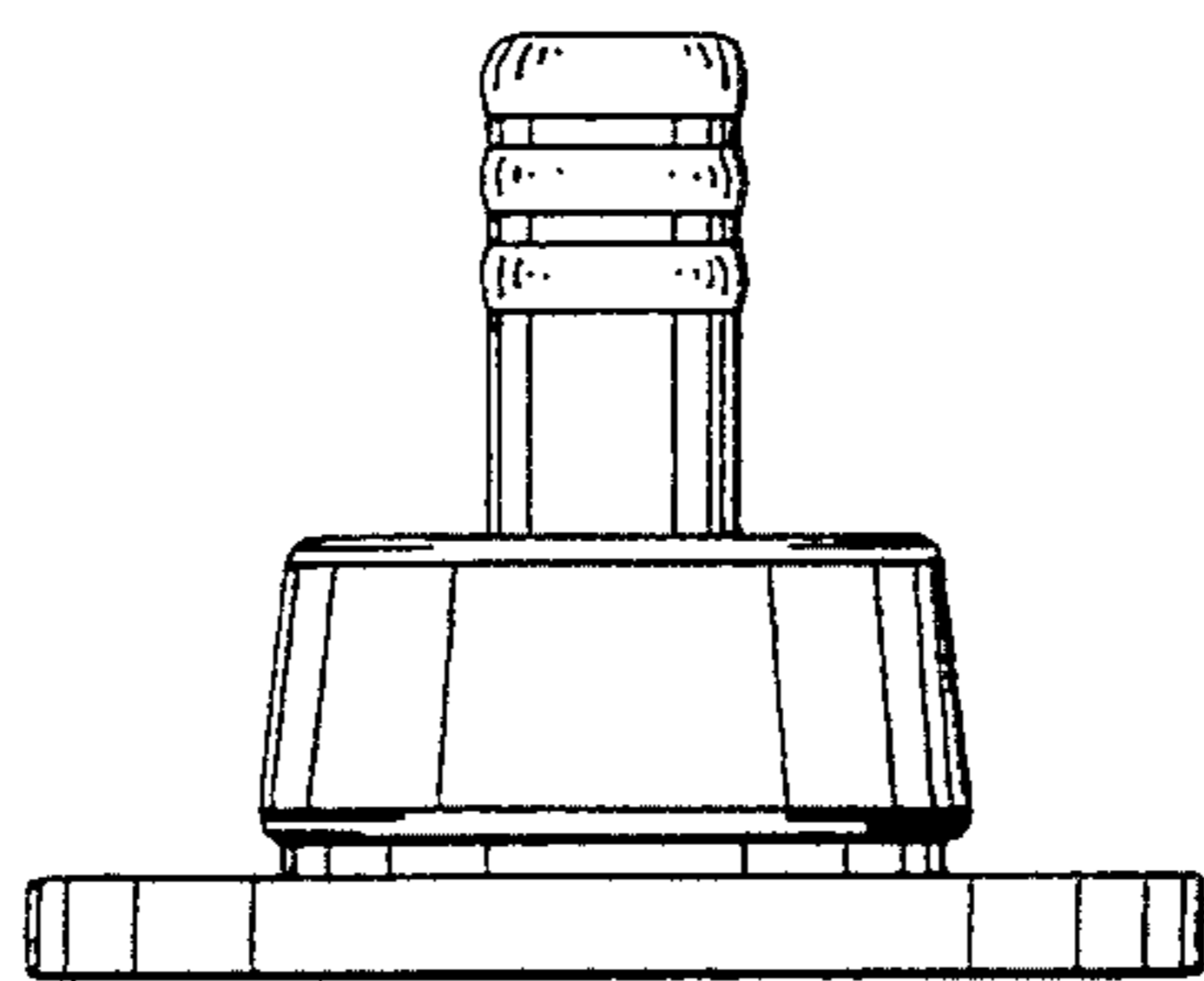


FIG. 4