



US00D359804S

**United States Patent** [19]  
**Carter**

[11] **Patent Number: Des. 359,804**  
[45] **Date of Patent: \*\* Jun. 27, 1995**

[54] **PATIENT LEG SUPPORT**  
[76] **Inventor: Michael D. Carter, P.O. Box 1037,  
Kernersville, N.C. 27285**  
[\*\*] **Term: 14 Years**  
[21] **Appl. No.: 19,285**  
[22] **Filed: Feb. 28, 1994**  
[52] **U.S. Cl. .... D24/183**  
[58] **Field of Search ..... D24/183, 199; 248/105,  
248/102; D6/601, 595, 596**

3,333,286 8/1967 Biolik .  
3,775,785 12/1973 Mittendorf ..... 5/341  
4,071,031 1/1978 Lowman ..... D24/183 X  
4,270,235 6/1981 Gutmann ..... D24/183 X  
4,777,678 10/1988 Moore ..... 5/431  
4,905,330 3/1990 Jacobs ..... 5/431  
5,163,195 11/1992 Hill ..... 5/637

*Primary Examiner—Stella Reid*

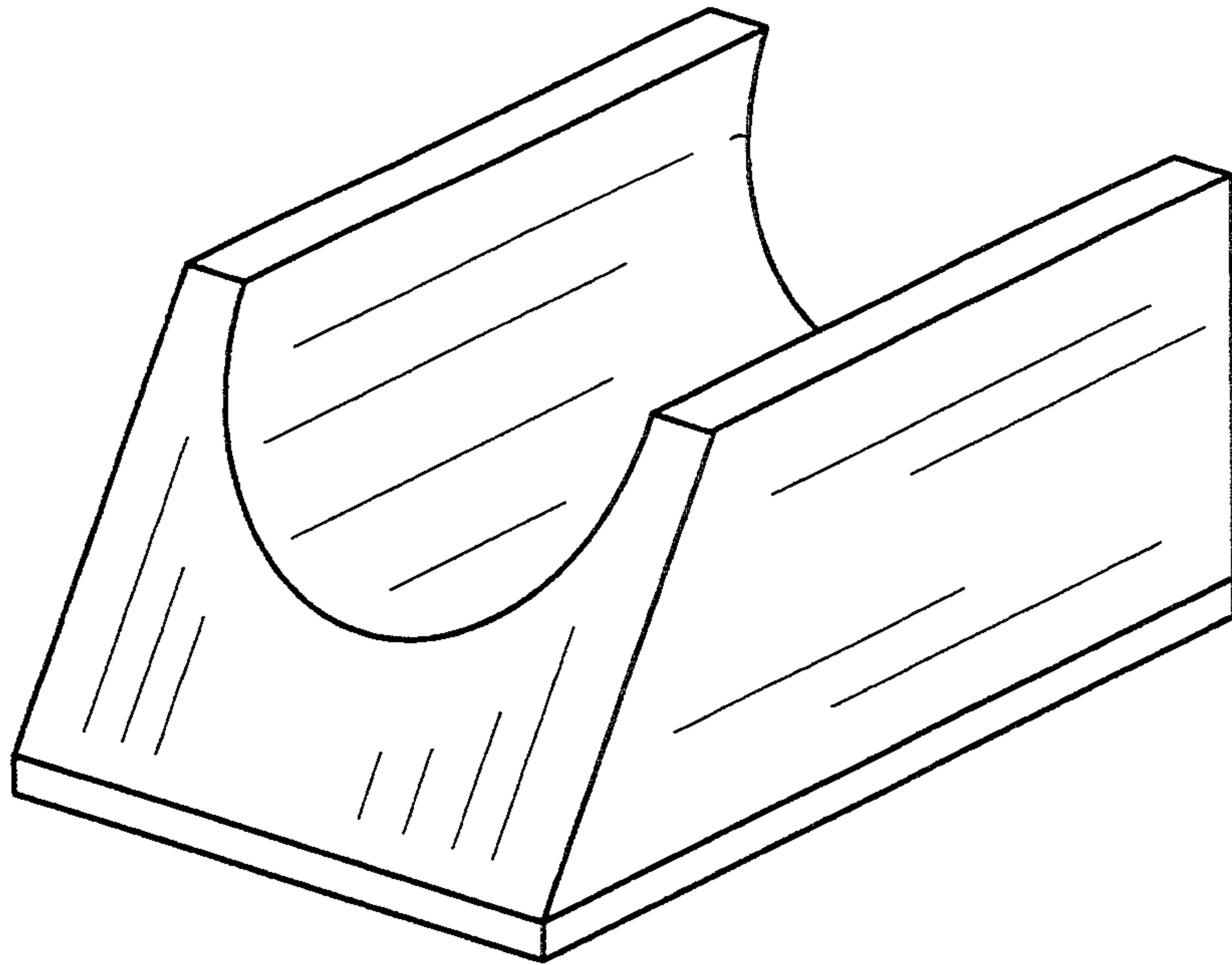
[57] **CLAIM**

The ornamental design for a patient leg support, as shown and described.

**DESCRIPTION**

FIG. 1 is a top, front, right side perspective view of a patient leg support embodying my design; FIG. 2 is a rear elevational view thereof; and, FIG. 3 is a left side elevational view thereof, the bottom being plain and unornamental.

[56] **References Cited**  
**U.S. PATENT DOCUMENTS**  
D. 254,029 1/1980 Barbagallo ..... D24/183  
D. 296,932 7/1988 Tranghese ..... D24/183  
D. 345,797 4/1994 Gardner ..... D24/183



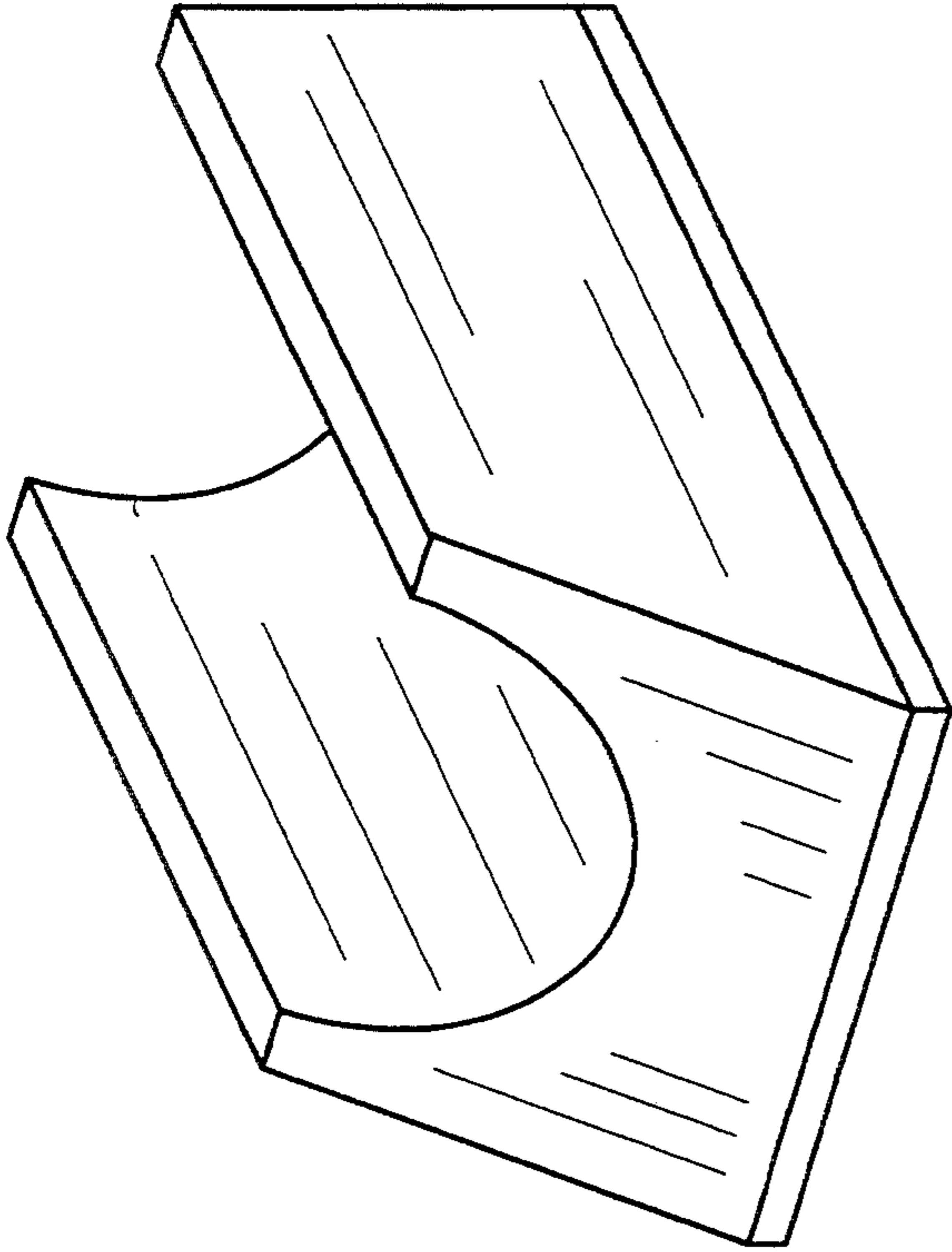


FIG. 1

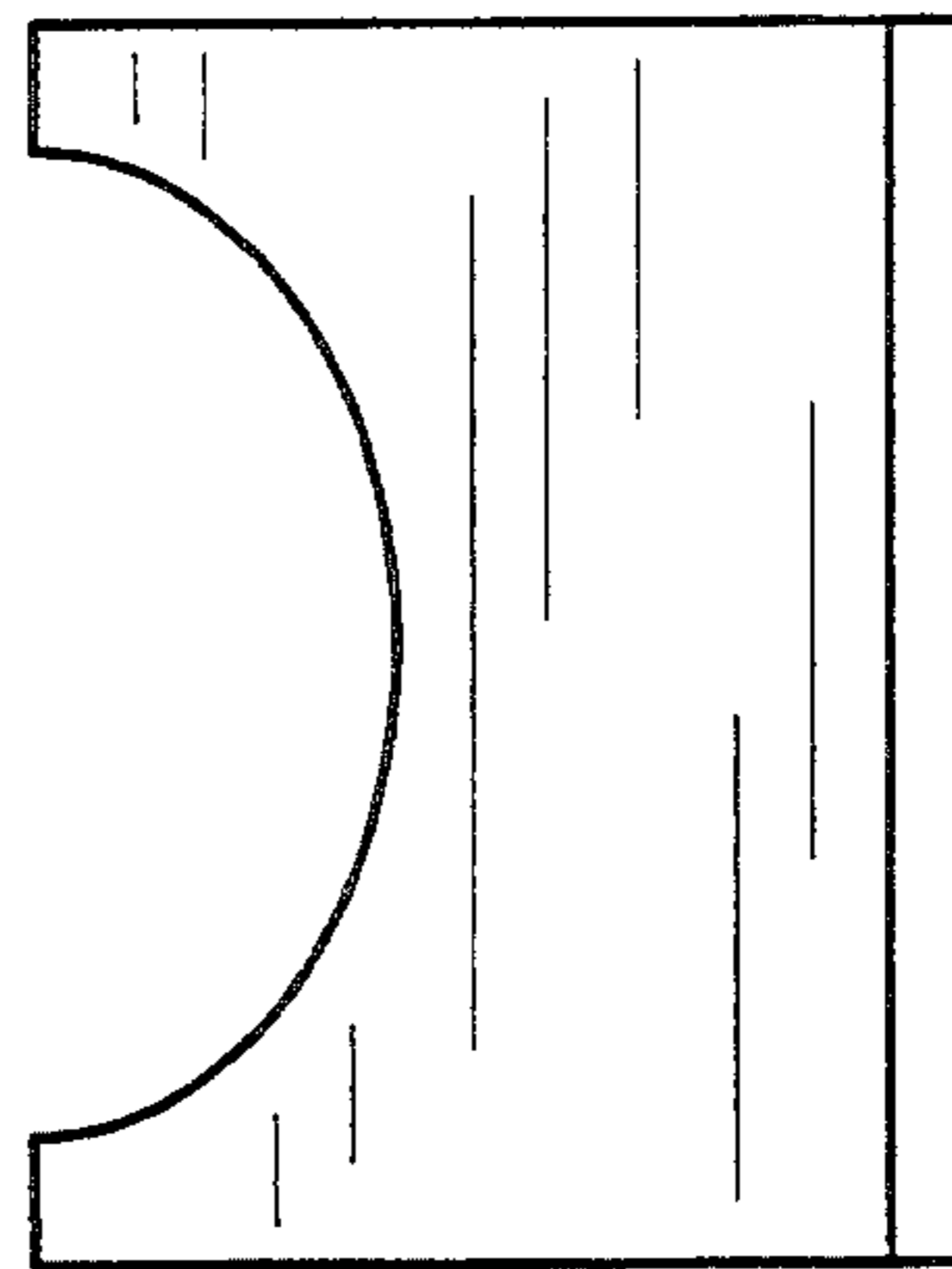


FIG. 2

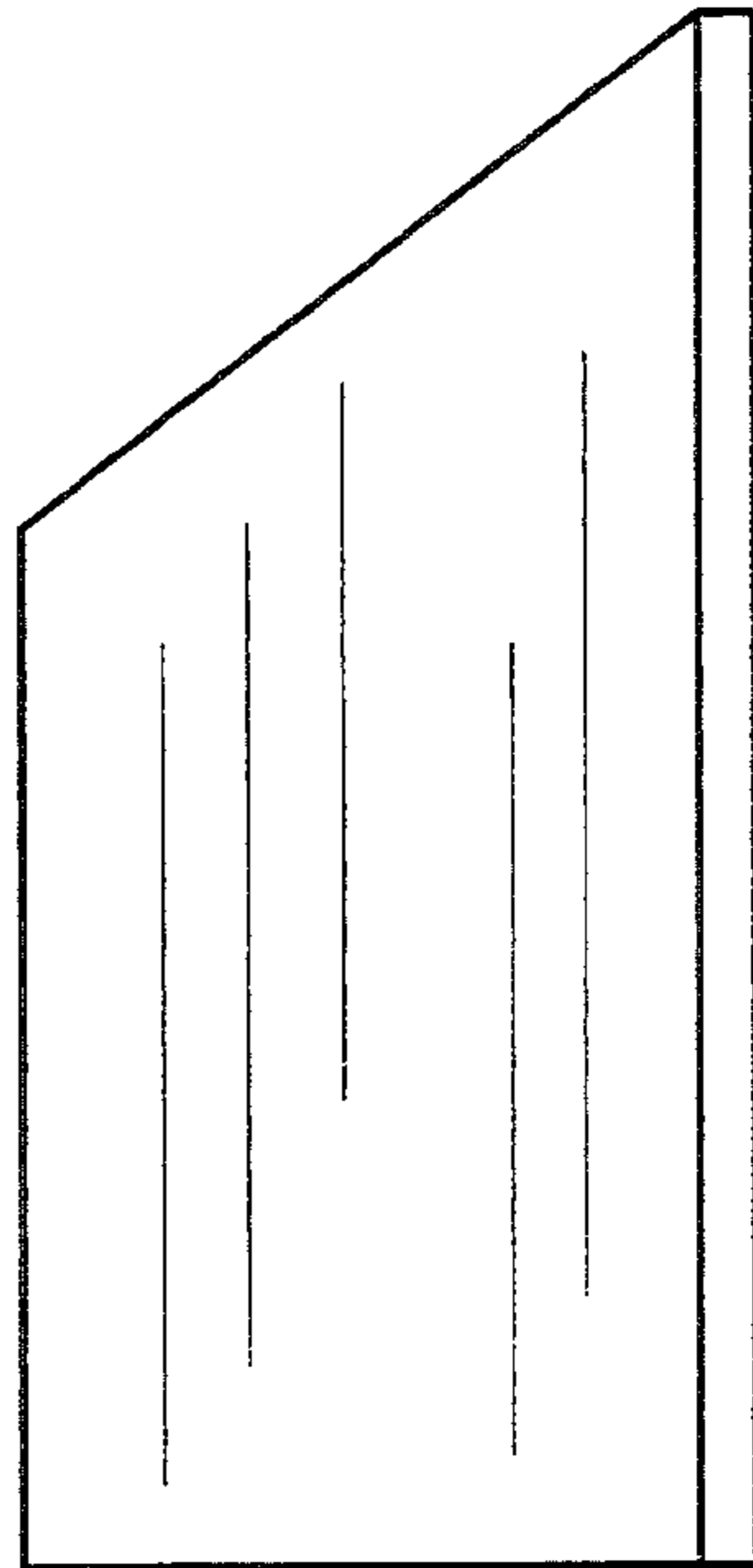


FIG. 3