



US00D359803S

United States Patent [19]

[11] Patent Number: **Des. 359,803**

Stanton et al.

[45] Date of Patent: **** Jun. 27, 1995**

[54] **PROGRAMMER FOR A BODY
IMPLANTABLE TISSUE STIMULATOR**

[75] Inventors: **David J. Stanton**, Oak Grove; **Craig F. Borchard**, Mendota Heights; **Mark R. Bilitz**, Minneapolis, all of Minn.

[73] Assignee: **Medtronic, Inc.**, Minneapolis, Minn.

[**] Term: **14 Years**

[21] Appl. No.: **17,842**

[22] Filed: **Jan. 24, 1994**

[52] U.S. Cl. **D24/167**

[58] Field of Search **D24/155, 186, 133, 167;
607/60, 59, 46, 32, 30**

[56] **References Cited**

U.S. PATENT DOCUMENTS

5,304,209 4/1994 Adams et al. 607/32 X
5,336,245 8/1994 Adams et al. 607/32

OTHER PUBLICATIONS

“Medtronic 7433 ITREL® II Portable Programmer Operator Manual” ©Medtronic, Inc., 1992.

Primary Examiner—Stella Reid

Attorney, Agent, or Firm—Terry L. Wiles; Harold R. Patton

[57] **CLAIM**

The ornamental design for a programmer for a body implantable tissue stimulator, as shown.

DESCRIPTION

FIG. 1 is a perspective view of the design invention; FIG. 2 is a front elevational view thereof; FIG. 3 is a top plan view thereof; FIG. 4 is a rear elevational view thereof; FIG. 5 is a right side elevational view thereof; FIG. 6 is a left side elevational view thereof; and, FIG. 7 is a bottom plan view thereof.

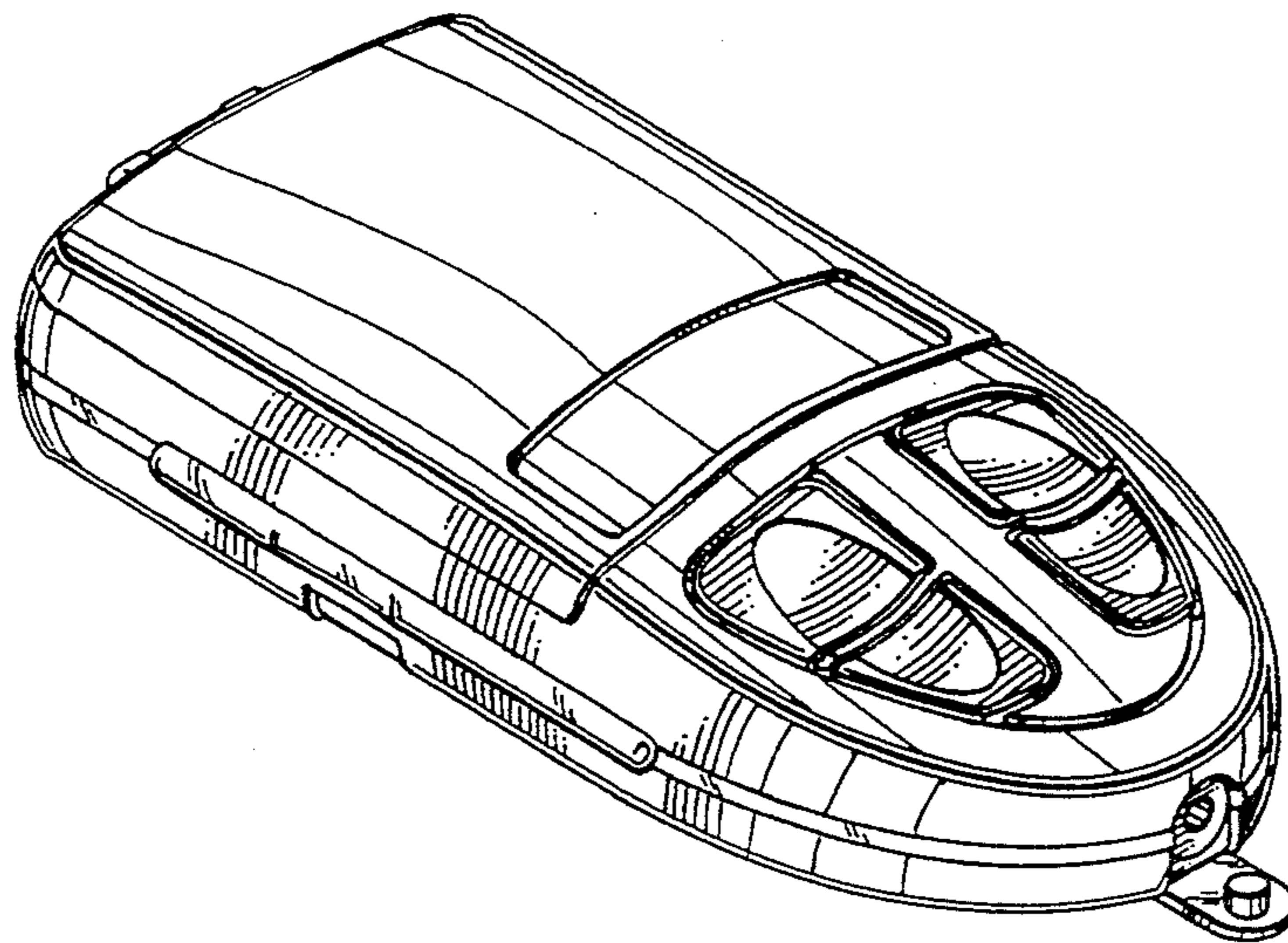


Fig. 1

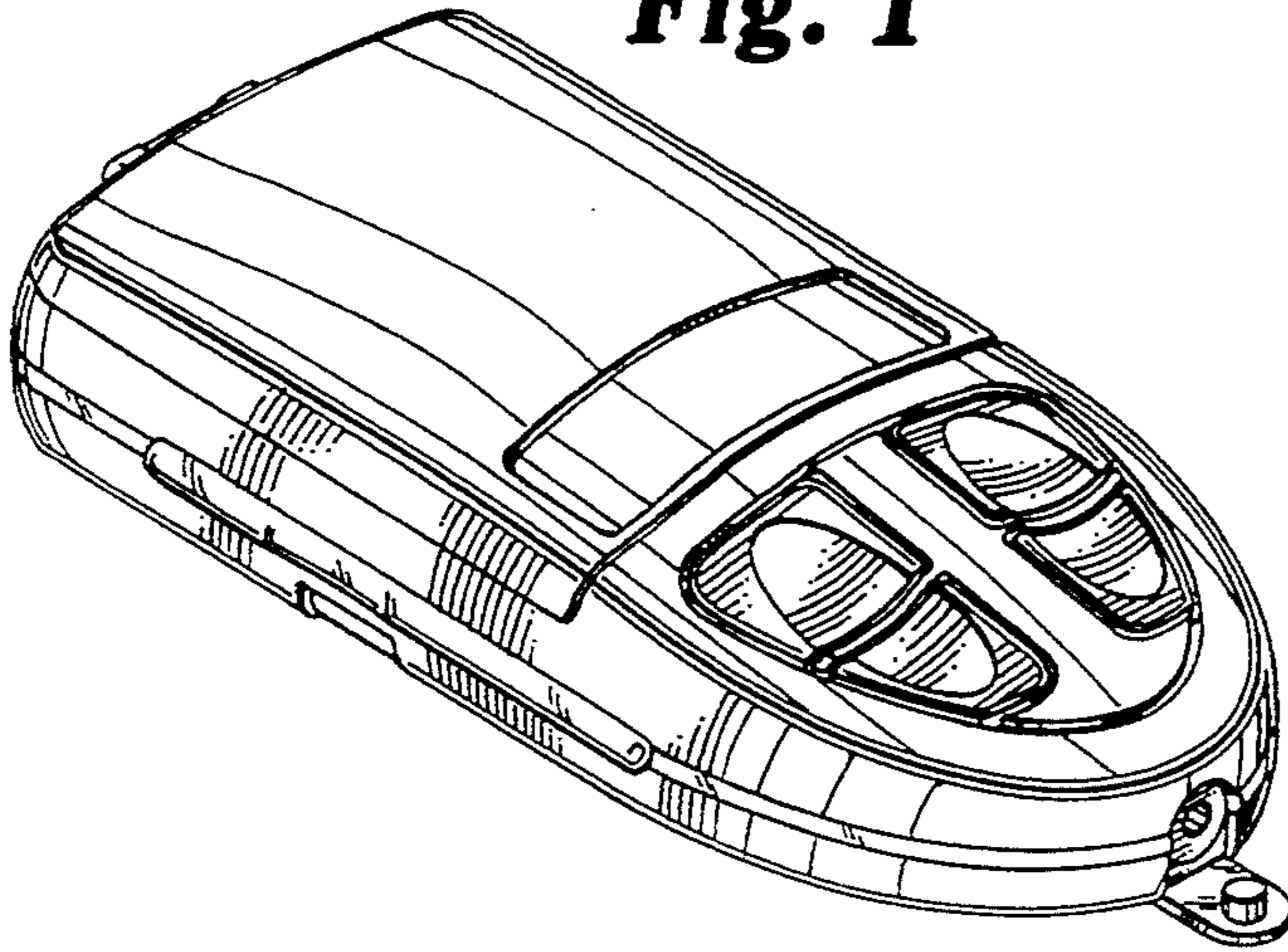


Fig. 2

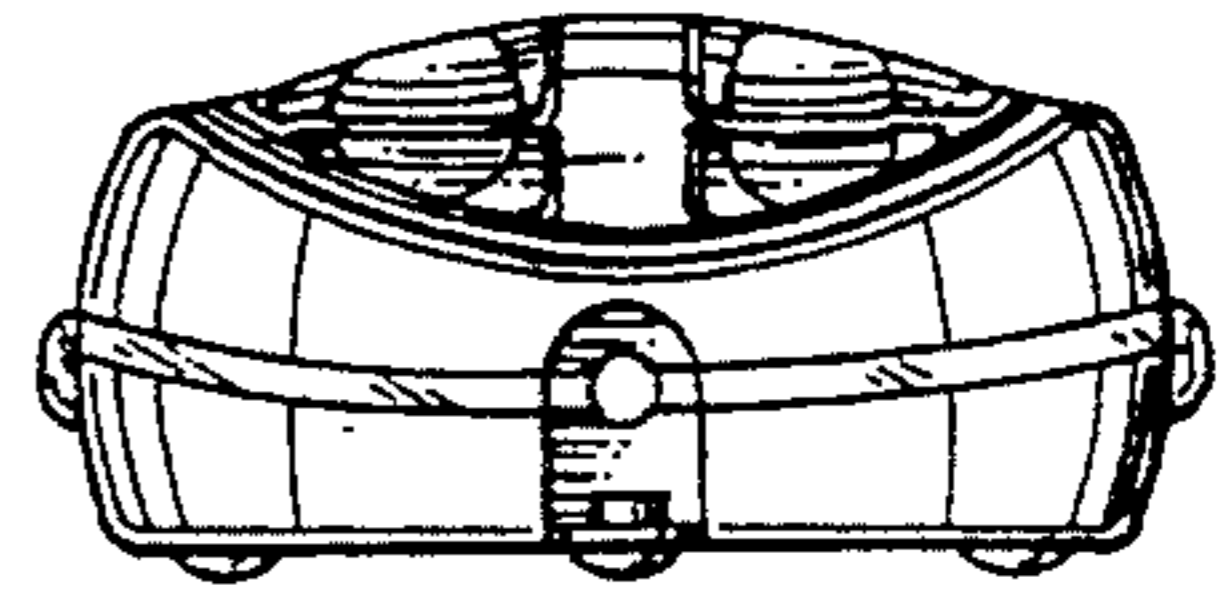


Fig. 3

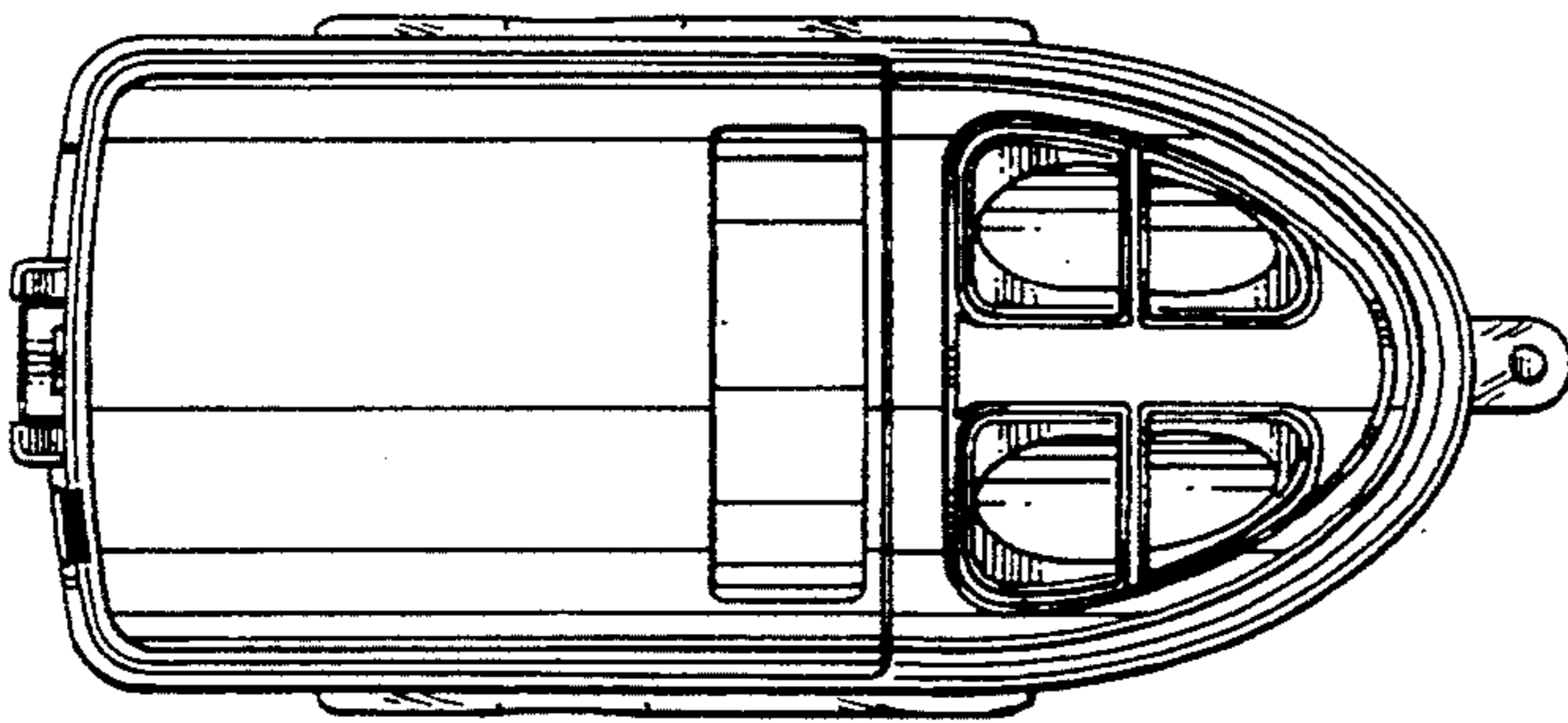


Fig. 4

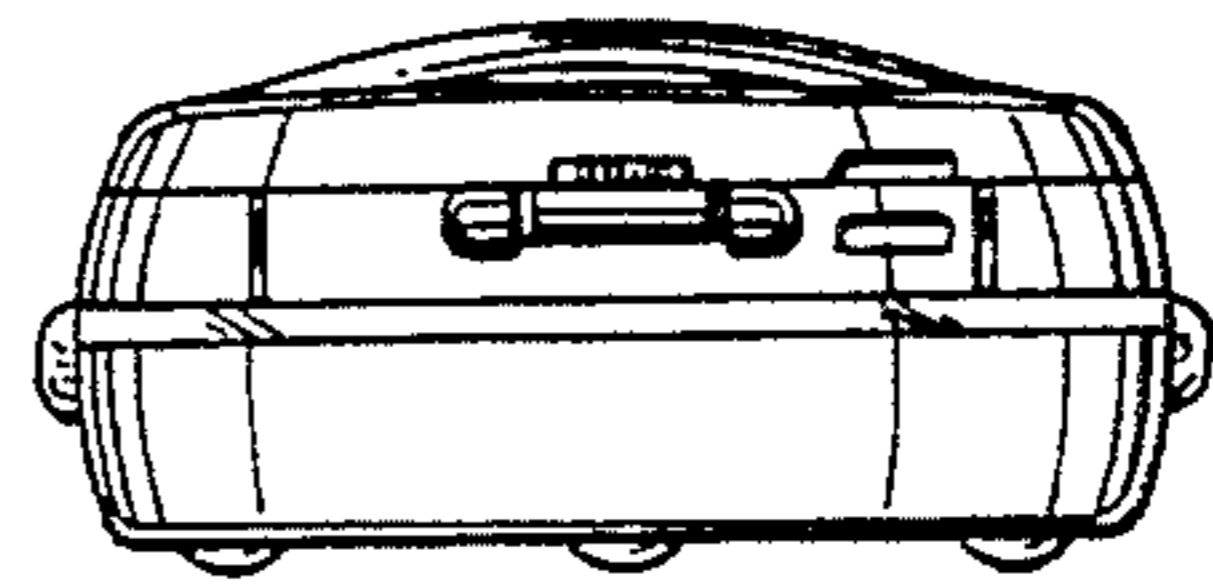


Fig. 6

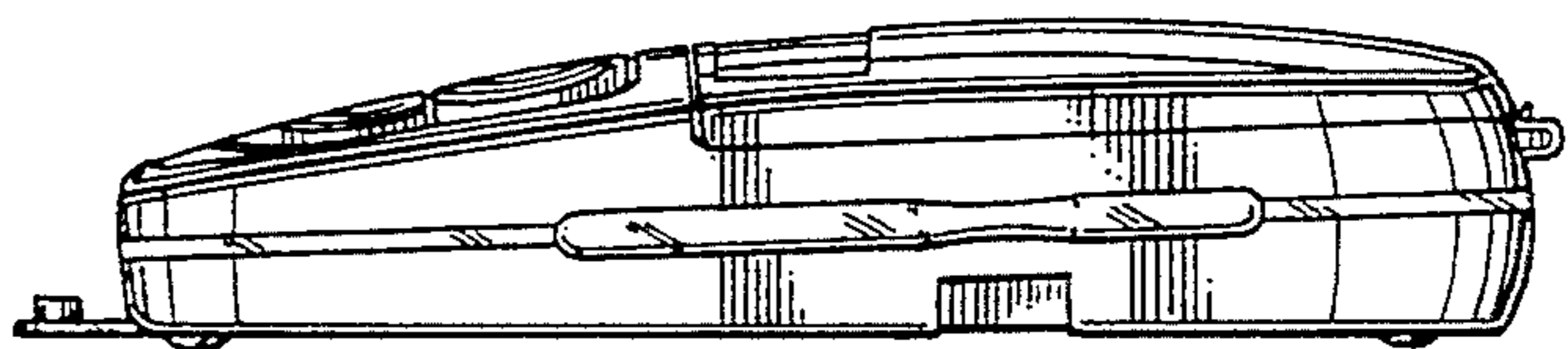


Fig. 5

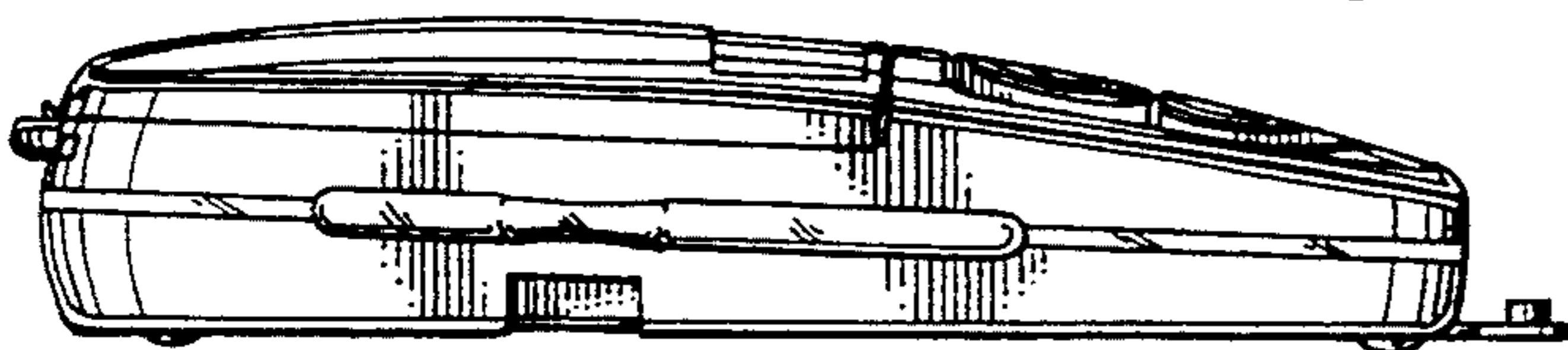


Fig. 7

