



US00D359801S

# United States Patent [19]

[11] Patent Number: **Des. 359,801**

Boykin et al.

[45] Date of Patent: **\*\* Jun. 27, 1995**

[54] **STYLET FOR RETROGRADE CORONARY SINUS CANNULA**

[75] Inventors: **Christopher M. Boykin, Saline; Nelson L. Huldin, Ann Arbor, both of Mich.**

[73] Assignee: **Minnesota Mining and Manufacturing Company, St. Paul, Minn.**

[\*\*] Term: **14 Years**

[21] Appl. No.: **10,455**

[22] Filed: **Jul. 7, 1993**

### Related U.S. Application Data

[63] Continuation-in-part of Ser. No. 979,010, Nov. 19, 1992, abandoned.

[52] U.S. Cl. .... **D24/112; D24/130; D24/133**

[58] Field of Search ..... **D24/112, 145, 143, 140, D24/130, 147, 133; 604/53, 93, 95, 161, 164, 160, 281, 282, 170**

### [56] References Cited

#### U.S. PATENT DOCUMENTS

Re. 32,306	12/1986	Waters .....	604/165
37,023	11/1862	Woolley .	
D. 254,270	2/1980	Ziegler .....	D24/23
D. 309,014	7/1990	Akerfeldt .....	D24/25
D. 335,705	5/1993	Buckberg et al. ....	D24/112
D. 343,900	2/1994	De Vries .....	D24/133
D. 350,605	4/1994	Williams .....	D24/147 X
2,164,926	7/1939	Kleine .....	128/349
2,393,003	1/1946	Smith .....	128/349
2,541,402	2/1951	Caine .....	128/351
2,571,207	10/1951	Cox .....	27/24
2,955,592	10/1960	MacLean .....	128/2
3,419,010	12/1968	Williamson .....	128/350
3,459,188	8/1969	Roberts .....	128/347
3,469,580	9/1969	Huddy .....	128/215
3,521,620	7/1970	Cook .....	128/2.05
3,547,119	12/1970	Hall et al. ....	128/214.4
3,628,524	12/1971	Jamshidi .....	128/2 B
3,630,198	12/1971	Henkin .....	128/215
3,653,388	4/1972	Tenckhoff .....	128/347
3,698,396	10/1972	Katerndahl et al. ....	128/347

3,726,269	4/1973	Webster, Jr. ....	128/2.05
3,757,768	9/1973	Kline .....	128/2
3,766,916	10/1973	Moorehead et al. ....	128/214.4
3,782,381	1/1974	Winnie .....	128/214.4
3,802,440	4/1974	Salem et al. ....	128/351
3,809,081	5/1974	Loveless .....	128/214.4
3,845,473	12/1974	Matsuo .....	128/8
3,867,945	2/1975	Long .....	128/349
3,923,066	12/1975	Francisoud et al. ....	128/348
3,948,270	4/1976	Hasson .....	128/348
3,957,055	5/1976	Linder et al. ....	128/351
3,995,623	12/1976	Blake et al. ....	128/2.06

(List continued on next page.)

### OTHER PUBLICATIONS

Brochure entitled "Directions for Use: Retrograde Coronary Sinus Perfusion Cannula with Auto-Inflating/Deflating Retention Cuff and Introducer" of DLP, Inc. dated Aug. 22, 1990.

(List continued on next page.)

*Primary Examiner*—A. Hugo Word

*Assistant Examiner*—I. Simmons

*Attorney, Agent, or Firm*—Gary L. Griswold; Walter N. Kirn; Stephen W. Bauer

### [57] CLAIM

The ornamental design for a stilet for retrograde coronary sinus cannula, as shown and described.

### DESCRIPTION

FIG. 1 is a perspective view of a stilet for retrograde coronary sinus cannula showing our new design, the shaft of the stilet is shown broken to indicate indeterminate length;

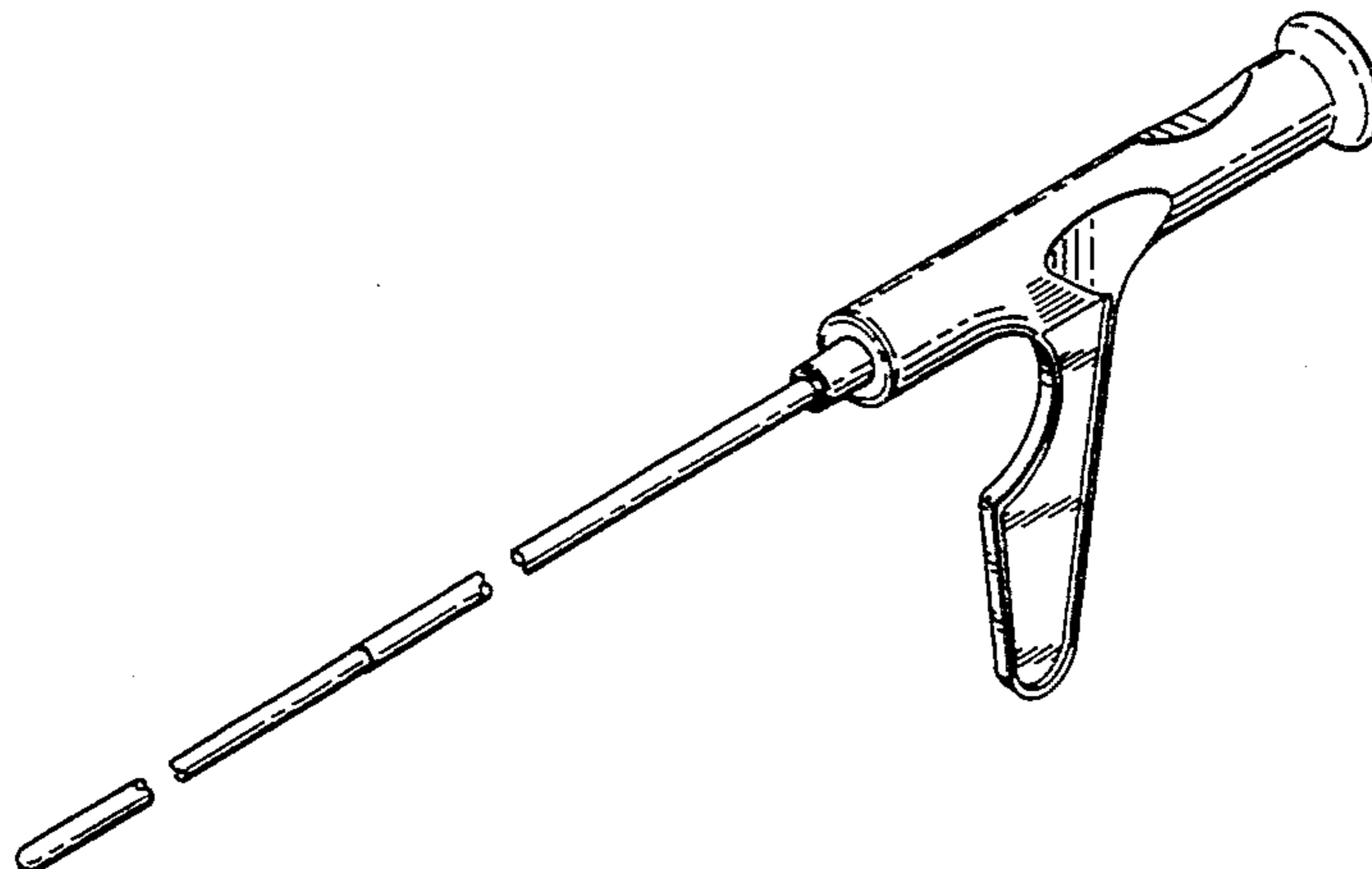
FIG. 2 is a front elevational view thereof;

FIG. 3 is a rear elevational view thereof;

FIG. 4 is a top plan view thereof, the shaft of the stilet is shown broken to indicate indeterminate length;

FIG. 5 is a right side elevational view thereof, the left side elevational view being identical thereto, the shaft of the stilet is shown broken to indicate indeterminate length; and,

FIG. 6 is a bottom plan view thereof the shaft of the stilet is shown broken to indicate indeterminate length.



## U.S. PATENT DOCUMENTS

4,068,659	1/1978	Moorehead	128/214.4	5,013,296	5/1991	Buckberg et al.	604/44
4,068,660	1/1978	Beck	128/214.4	5,021,045	6/1991	Buckberg et al.	604/53
4,137,916	2/1979	Killman et al.	128/214.4	5,047,018	9/1991	Gay et al.	604/164
4,185,639	1/1980	Linder	128/200.26	5,108,413	4/1992	Moyers	606/191
4,273,131	6/1981	Olsen	128/341	5,131,406	7/1992	Kaltenbach	128/772
4,351,334	9/1982	Inglefield, Jr.	128/218	5,161,534	11/1992	Berthiaume	128/657
4,351,341	9/1982	Goldberg et al.	128/348	5,163,912	11/1992	Gay et al.	604/164
4,400,168	8/1983	Buschel et al.	604/48	5,169,397	12/1992	Sakashita et al.	606/27
4,417,886	11/1983	Frankhouser et al.	604/53	5,176,647	1/1993	Knoepfler	604/158
4,456,017	6/1984	Miles	128/772	5,188,630	2/1993	Christoudias	604/1
4,458,677	7/1984	McCorkie, Jr.	128/786	5,203,866	4/1993	Islam	606/186
4,459,977	7/1984	Pizon et al.	128/1	5,226,427	7/1993	Buckberg et al.	128/772
4,469,109	9/1984	Mehl	128/753	5,345,937	9/1994	Middleman et al.	604/95 X
4,504,268	3/1985	Herlitze	604/170				
4,529,400	7/1985	Scholten	604/95				
4,545,390	10/1985	Leary	128/772				
4,559,041	12/1985	Razi	604/157				
4,581,019	4/1986	Curelaru et al.	604/164				
4,600,014	7/1986	Beraha	128/754				
4,619,274	10/1986	Morrison	128/772				
4,630,616	12/1986	Tretinyak	128/753				
4,632,668	12/1986	Wilson, Jr. et al.	604/8				
4,637,388	1/1987	Melendy	128/207.14				
4,655,226	4/1987	Lee	128/754				
4,676,249	6/1987	Arenas et al.	128/657				
4,689,041	8/1987	Corday et al.	604/53				
4,699,138	10/1987	Behrstock	128/207.16				
4,699,140	10/1987	Holmes et al.	128/303				
4,702,261	10/1987	Cornell et al.	128/754				
4,713,049	12/1987	Carter	604/8				
4,726,369	2/1988	Mar	128/303				
4,743,265	5/1988	Whitehouse et al.	604/161				
4,787,884	11/1988	Goldberg	604/8				
4,790,825	12/1988	Bernstein et al.	604/170				
4,793,363	12/1988	Ambermann et al.	128/754				
4,799,496	1/1989	Hargreaves et al.	604/95 X				
4,808,158	2/1989	Kreuzer et al.	604/49				
4,808,168	2/1989	Warring	604/158				
4,834,709	5/1989	Banning et al.	604/170				
4,838,282	6/1989	Strasser et al.	128/754				
4,863,430	9/1989	Klyce et al.	604/164				
4,863,439	9/1989	Sanderson	604/264				
4,886,067	12/1989	Palermo	128/657				
4,888,000	12/1989	McQuilkin et al.	604/164				
4,923,061	5/1990	Trombley, III	206/364				
4,925,445	5/1990	Sakamoto et al.	604/95				
4,927,412	5/1990	Menasche	604/96				
4,976,688	12/1990	Rosenblum	604/95				
5,007,434	4/1991	Doyle et al.	128/772				

## OTHER PUBLICATIONS

Brochure entitled "Vent Catheters" from Research Medical, Inc. ©92.

Brochure entitled "Instructions for Use: Retroplegia Cannula" of Research Medical, Inc. dated Nov. 25, 1991.

One page of a brochure entitled "Retroplegia Coronary Sinus Perfusion Cannula" of Research Medical, Inc. ©92.

C. R. Bard, Inc. reference, dated at patent office Jan. 26, 1940.

Brochure entitled "Sarns—Sterilized Disposable Instruments" dated Apr. 1984.

Pp. 12–14 from a price listing of Research Medical, Inc. for Retroplegia Retrograde Cardioplegia ©92.

Brochure entitled Retroplegia with Textured Balloon (2 pages) from Research Medical Inc. ©92.

Brochure entitled Retroplegia II—Coronary Sinus Cardioplegia Cannula with Retractable—Anti-retraction Lumen (2 pages) from Research Medical, Inc. ©92.

Brochure entitled "Looking for a Retrograde Cardioplegia Cannula with a Manually-Inflated, Textured Silicone Balloon?" (1 page) from Research Medical, Inc. ©92.

One page flyer entitled "DLP Introduces the New Retrograde coronary Sinus Perfusion Cannula" 92.

"Retrograde pulmonary venous pressure measurement—Fact or artifact?"; Buckberg et al.; The Journal of Thoracic and Cardiovascular Surgery; vol. 59, No. 3, Mar., 1970, pp. 393–400.

(List continued on next page.)

OTHER PUBLICATIONS

Pp. 8 and 9 from Research Medical, Inc. Annual Report ©92.

Charles P. Bailey, M.D., et al., "Cardiac Surgery"; F. A. Davis Company, Philadelphia, Pa. 1960 pp. 50-52, 75-77.

Gumersindo Blanco, M.D. et al.; "A Direct Experimental Approach to the Aortic Valve II, Acute Retroperfusion of the Coronary Sinus", from the Department of Surgery and the Experimental Surgery Laboratory, School of Medicine, University of Puerto Rico, San Juan, Puerto Rico, Nov. 1955, pp. 171-177.

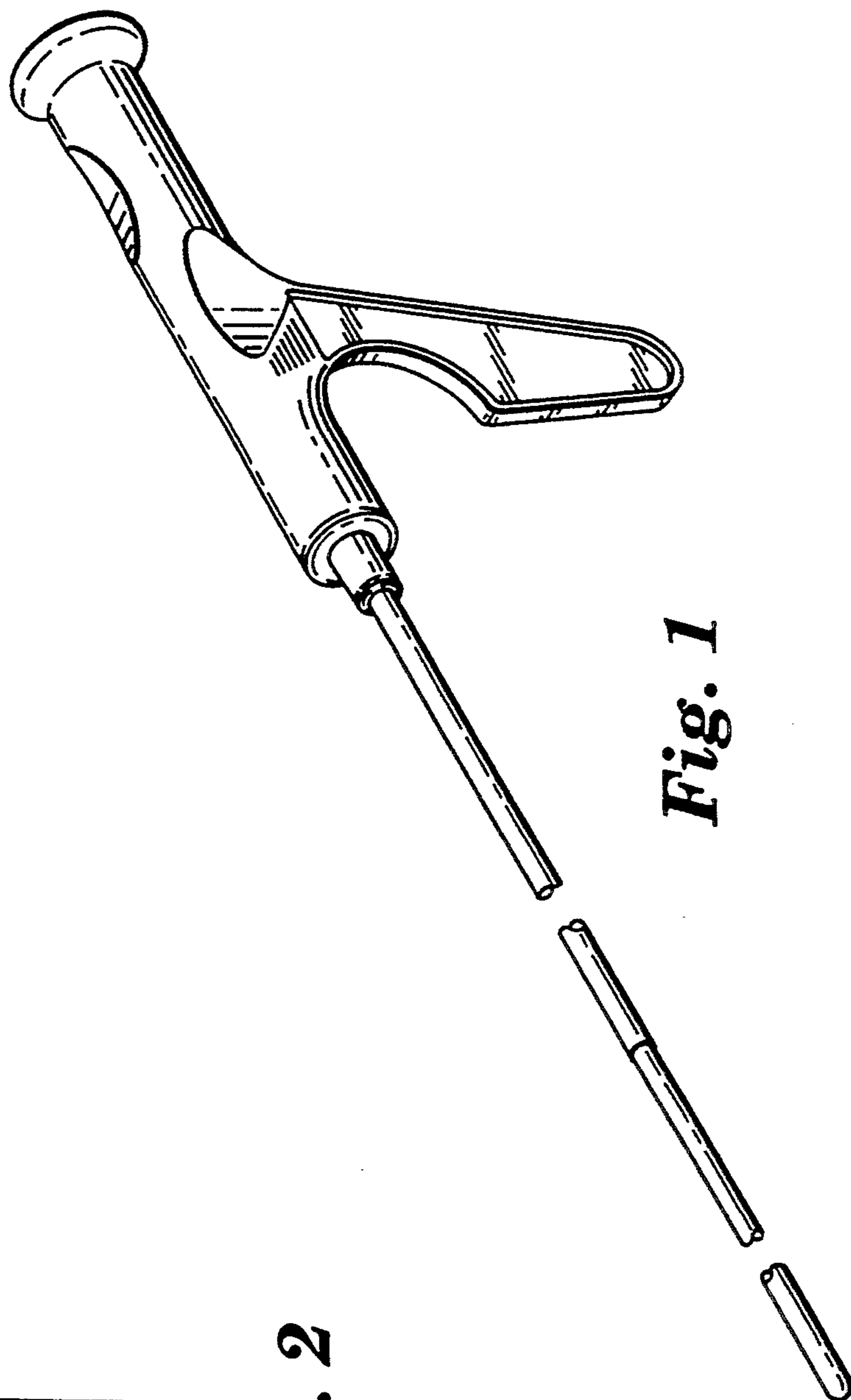
Edward P. Fitch, M.D., et al. "Obturator for Extracorporeal Circulation Cannulae"; J. Thoracic, Surg., vol. 37, No. 5, Sep. 2, 1958, pp. 663-664.

"Sarns Presterilized Atrial Vent Catheter and Left Vent Catheter", The Annals of Thoracic Surgery, vol. 19, No. 3, Mar. 1975.

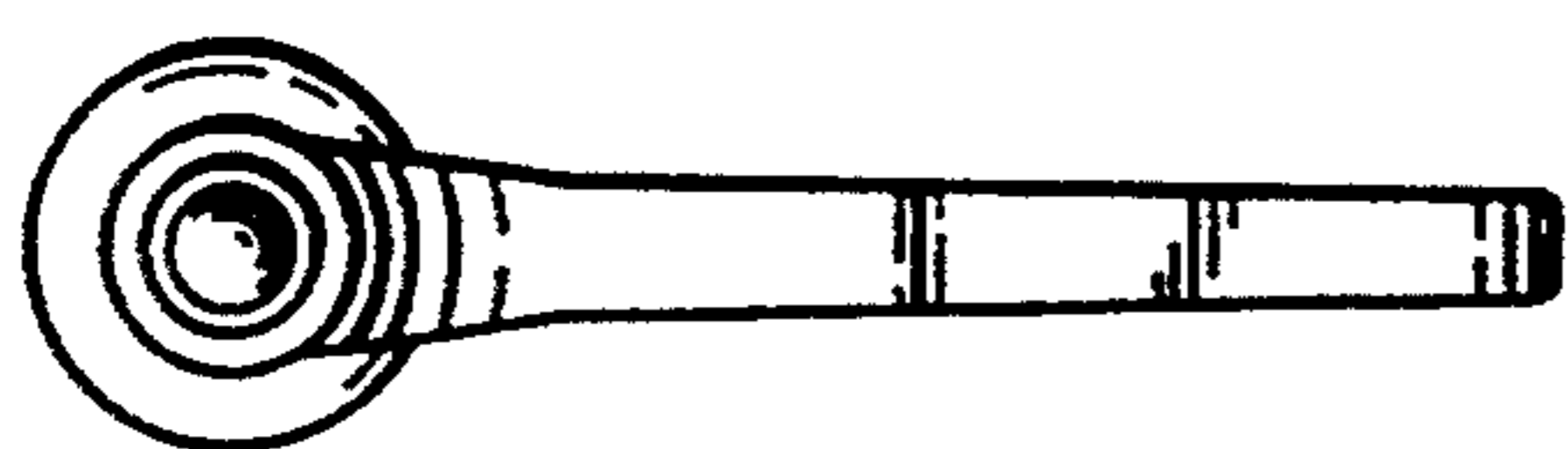
"Catheter Fittings and Accessories", Cardiovascular Catheters and Accessories by United States Catheter and Instrument Corporation, New York, 1967-1968, p. 41.

"Mayo Coronary Perfusion Components (Balloon Style)" ©92.

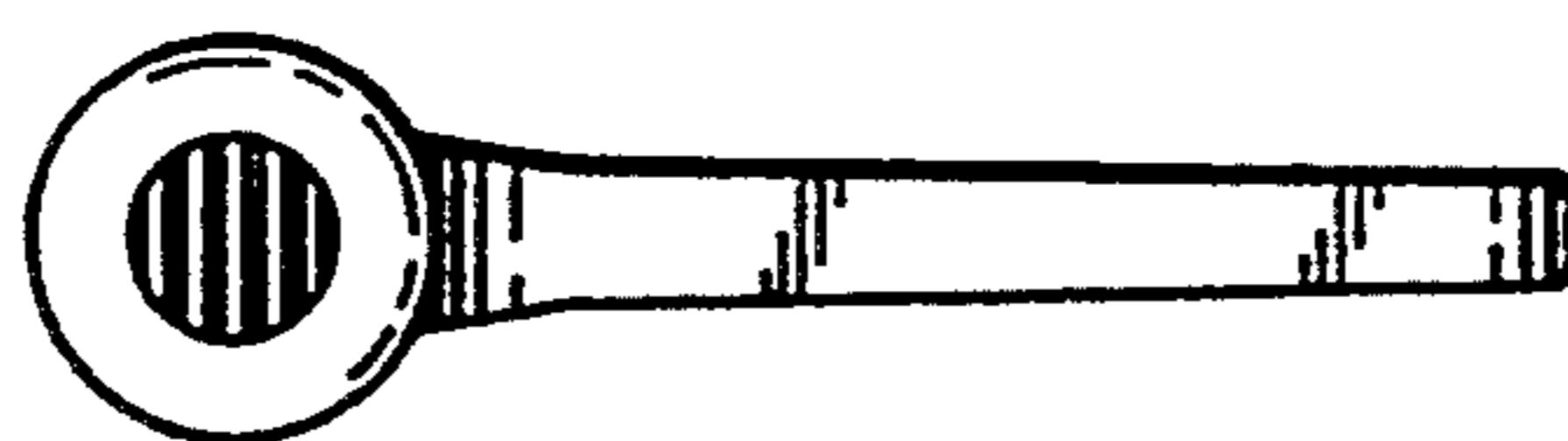
Brochure entitled "Catheters and Related Products", by American Cystoscope Makers, Inc. p. 2558 ©1988.



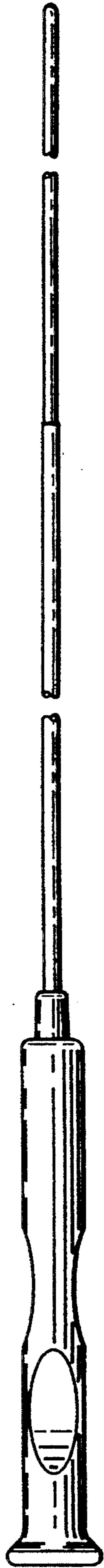
*Fig. 1*



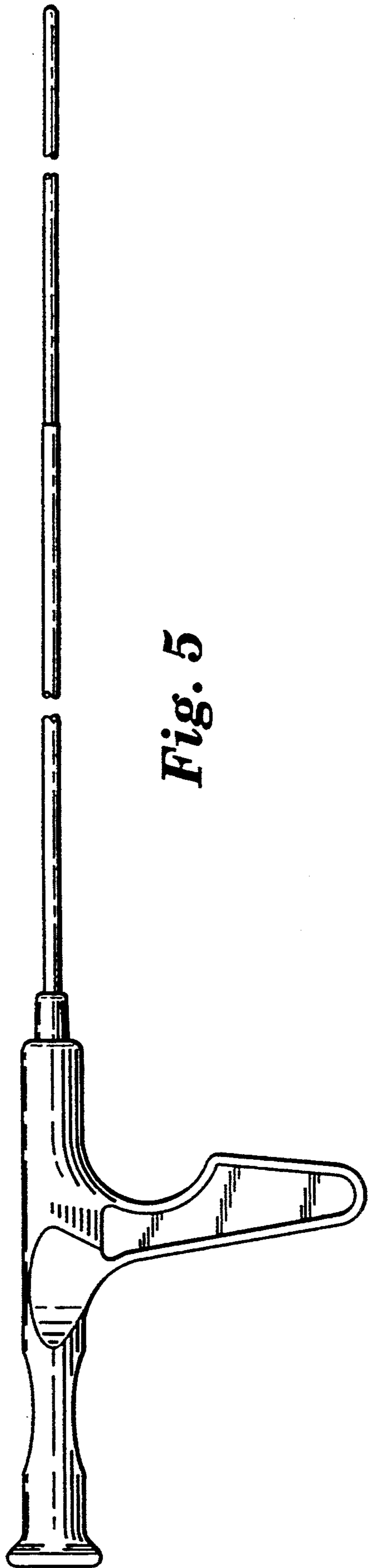
*Fig. 2*



*Fig. 3*



*Fig. 4*



*Fig. 5*



*Fig. 6*