



US00D359796S

United States Patent [19]
Formgren

[11] **Patent Number: Des. 359,796**
[45] **Date of Patent: ** Jun. 27, 1995**

[54] **SPOUT**
[75] **Inventor: Anna-Pia K. Formgren, Paris, France**
[73] **Assignee: Jacob Delafon, Paris, France**
[**] **Term: 14 Years**
[21] **Appl. No.: 15,071**
[22] **Filed: Nov. 5, 1993**
[52] **U.S. Cl. D23/241**
[58] **Field of Search D23/238-243,**
D23/255-258; 4/675-678; 137/801, 216, 606,
625.17

[56] **References Cited**
U.S. PATENT DOCUMENTS
D. 253,906 1/1980 Colani D23/243
3,473,558 10/1969 Mongerson 4/678 X
3,770,004 11/1973 Johnson et al. 137/606 X
5,165,121 11/1992 McTargett et al. 4/678

OTHER PUBLICATIONS
P. 117 dated Jan. 1984 of an Ideal-Standard catalog showing a Jetline roll-mounted bath/shower mixer.
Undated Jacob Delafon ad showing a Model 71255.01 bath/shower mixer, admitted prior art.
Undated Jacob Delafon ad showing a Model 71138.10 bath/shower mixer, admitted prior art.
Undated p. 6.15 of an Eljer catalog showing a Model 553-4070 lavatory faucet, admitted prior art.
Undated p. 6.23 of an Eljer catalog showing a Model 513-6020 bath faucet, admitted prior art.

Primary Examiner—Louis S. Zarfes

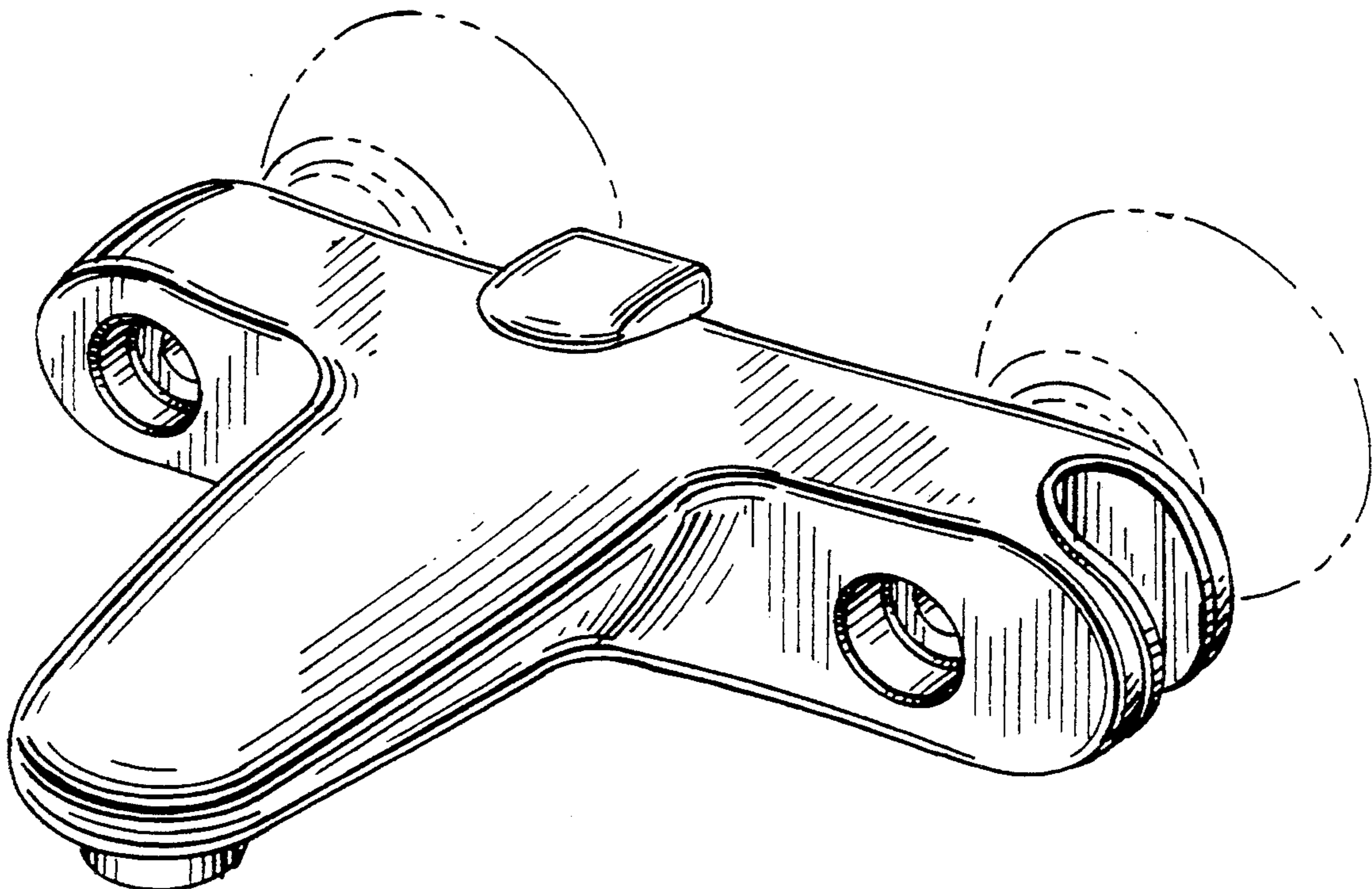
Assistant Examiner—Eric Watterson
Attorney, Agent, or Firm—Quarles & Brady

[57] **CLAIM**

The ornamental design for a spout, as shown and described.

DESCRIPTION

FIG. 1 is a perspective view taken from the top, front and right side of a spout embodying my new design; FIG. 2 is a front elevational view thereof; FIG. 3 is a rear elevational view thereof; FIG. 4 is a top plan view thereof; FIG. 5 is a bottom plan view thereof; FIG. 6 is a left side elevational view thereof; FIG. 7 is a right side elevational view thereof; FIG. 8 is a perspective view taken from the top, front and right side of a second embodiment of my new design which is the same as the first embodiment plus handles minus an outlet aerator; FIG. 9 is a left side elevational view of the embodiment of FIG. 8; FIG. 10 is a right side elevational view thereof; FIG. 11 is a top plan view thereof; FIG. 12 is a bottom plan view thereof; FIG. 13 is a top plan view of a third embodiment which is the same as the embodiment of FIG. 1 except that it is the mirror image where the shower bracket is on the left side; and, FIG. 14 is a top plan view of a fourth embodiment which is the same as the embodiment of FIG. 8 except that the shower bracket is on the left side.
The fragmentary dotted line representations of escutcheons in FIGS. 1 and 8 are for the purpose of illustration only and form no part of the claimed design.



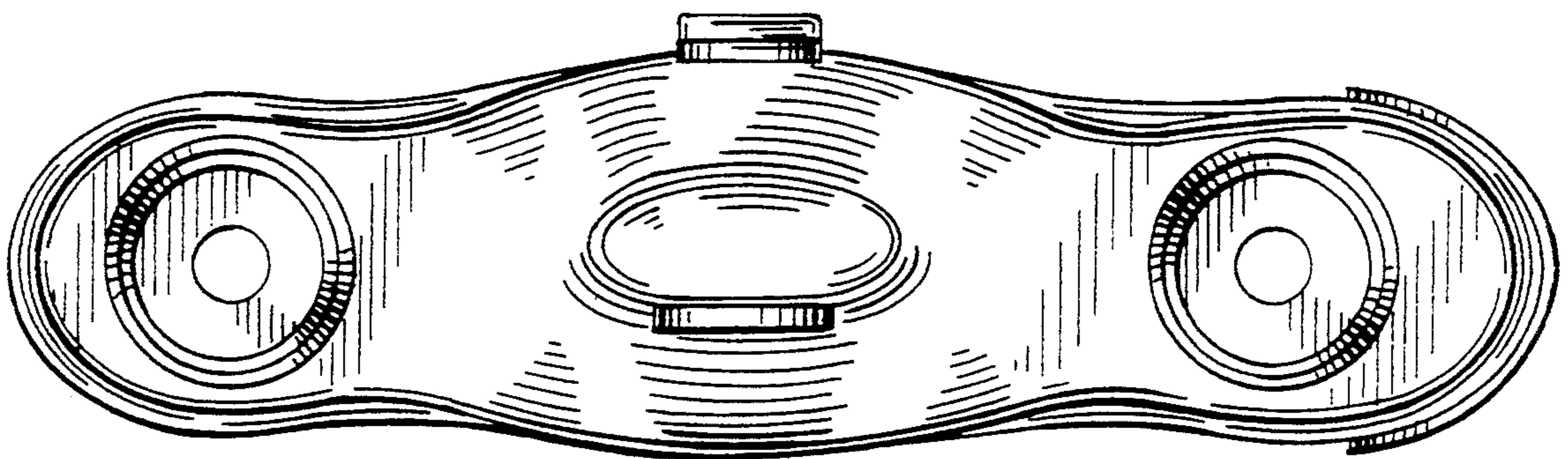
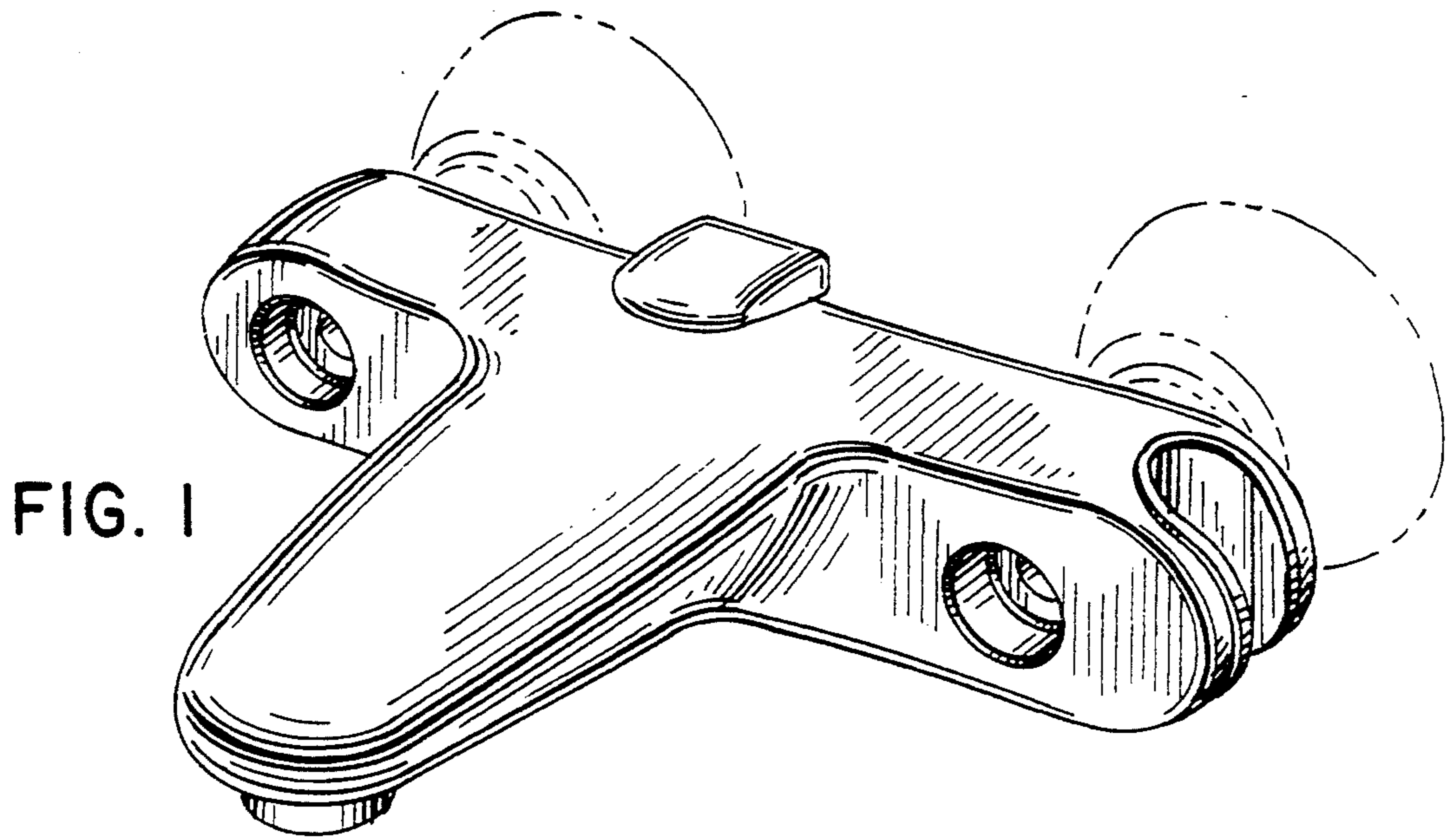


FIG. 2

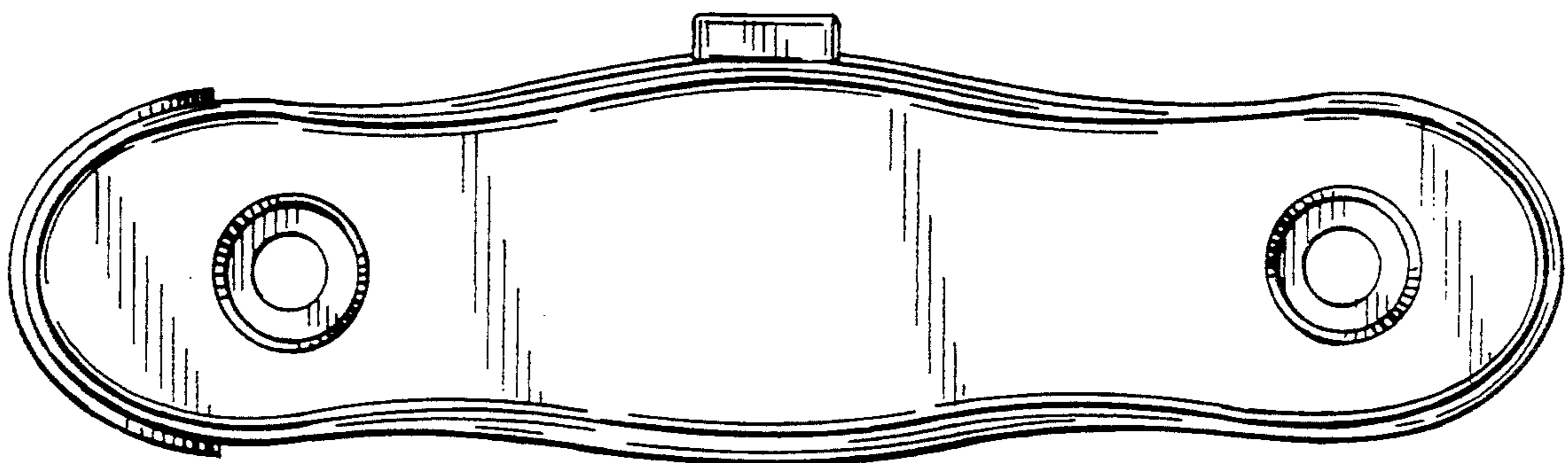


FIG. 3

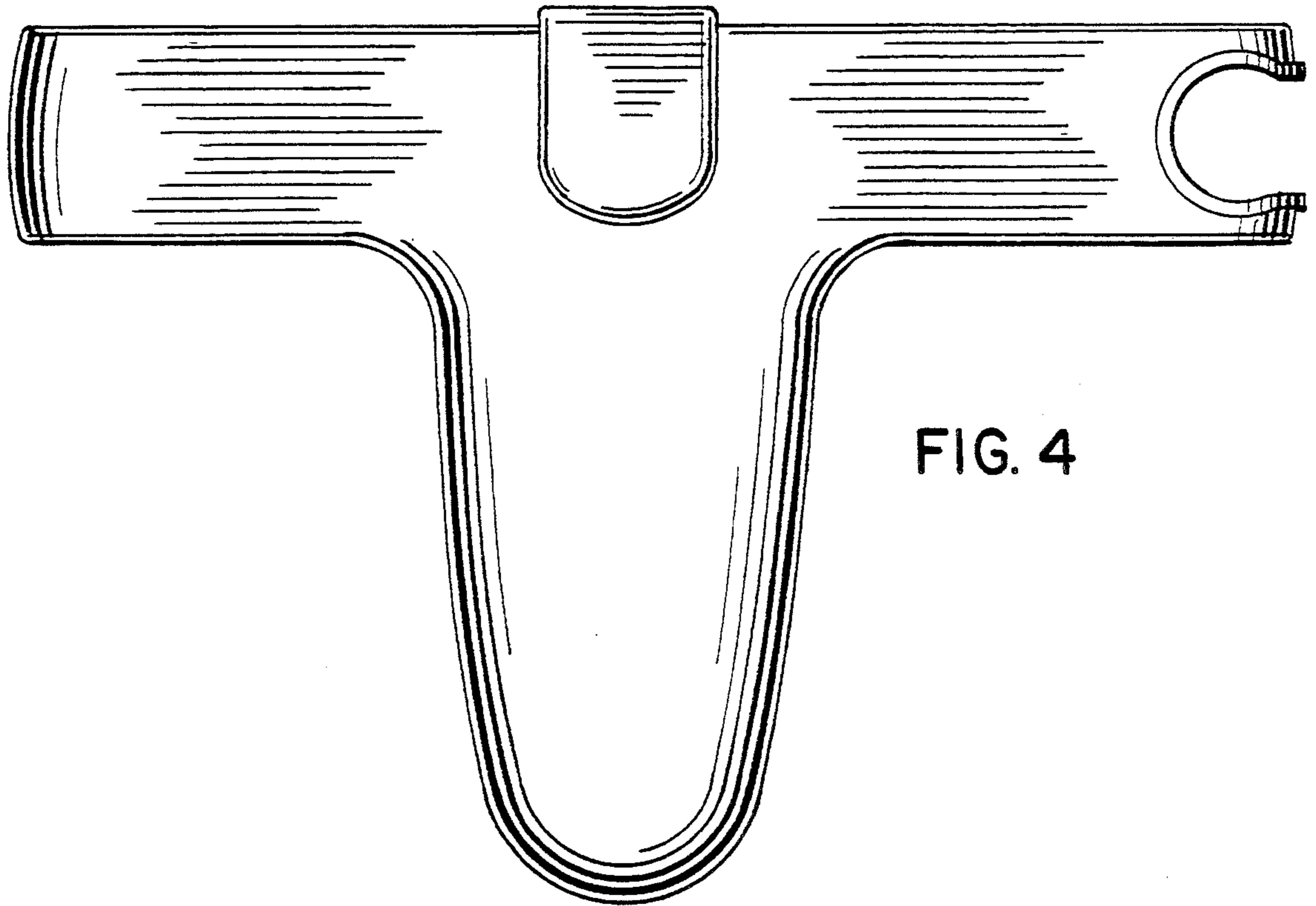


FIG. 4

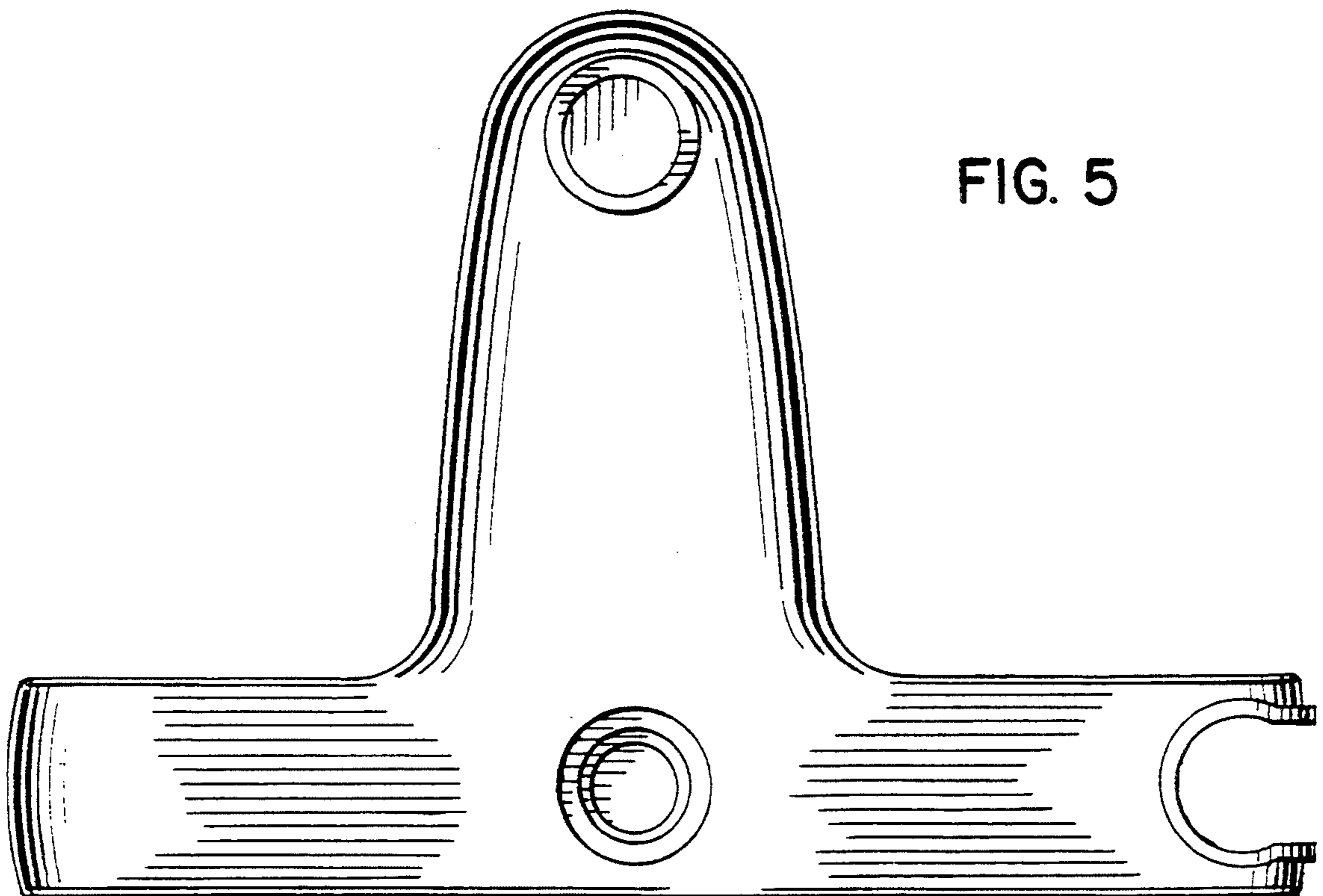


FIG. 5

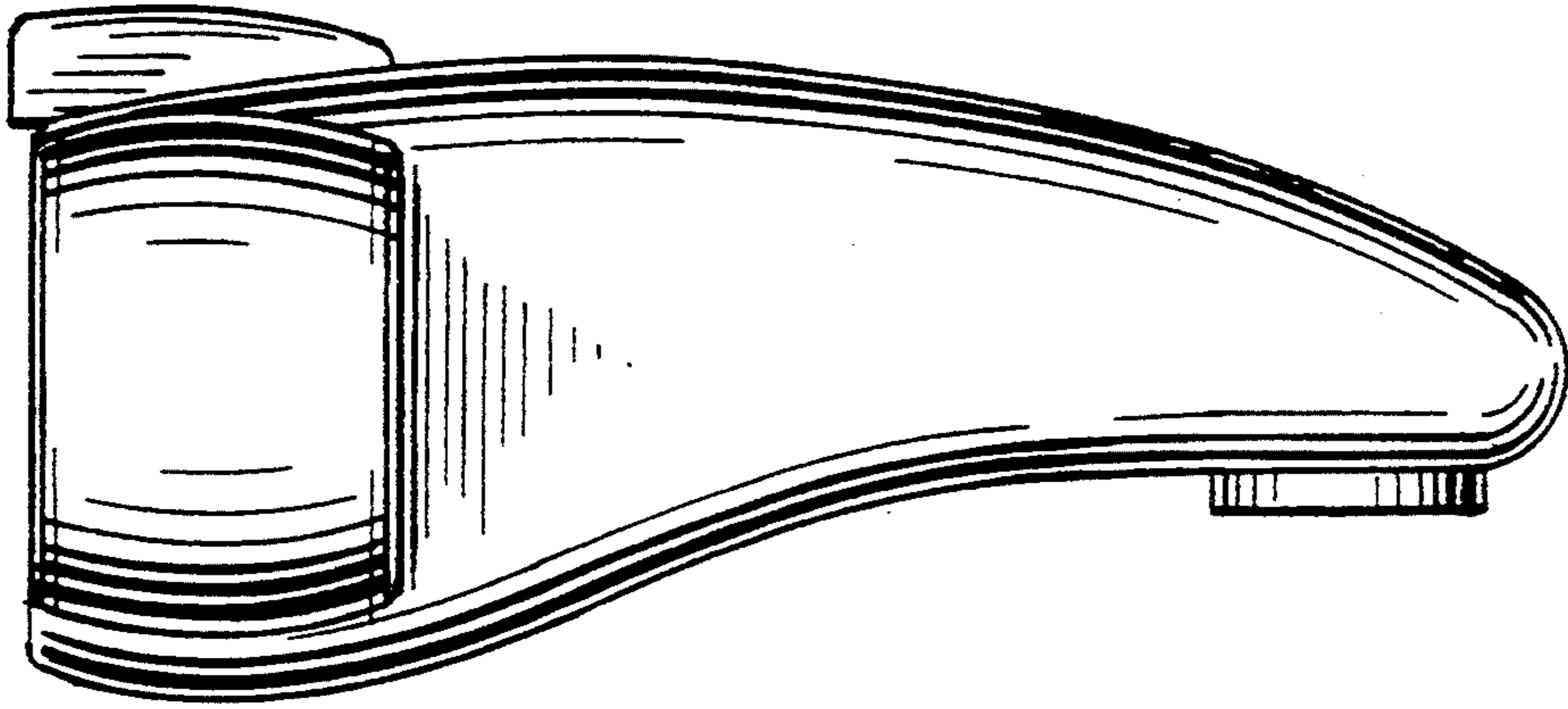


FIG. 6

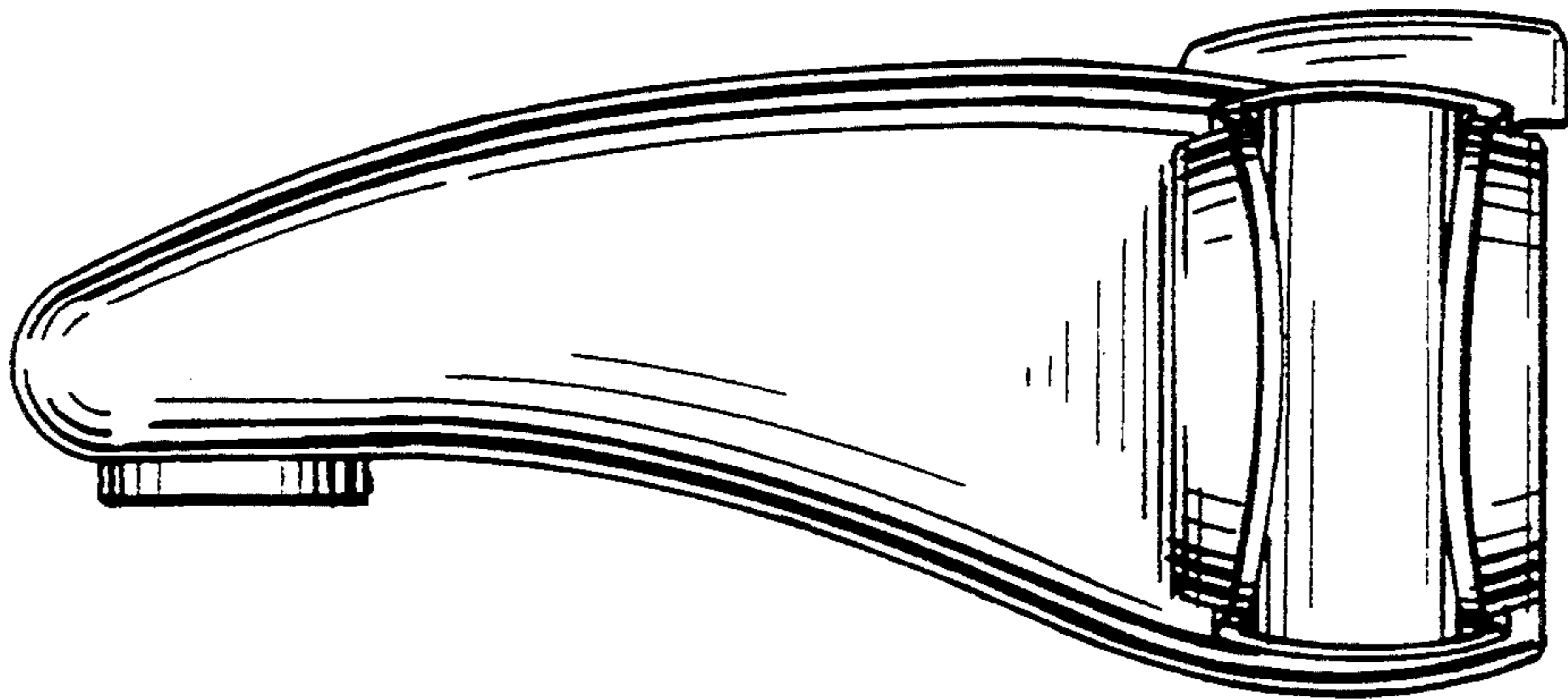


FIG. 7

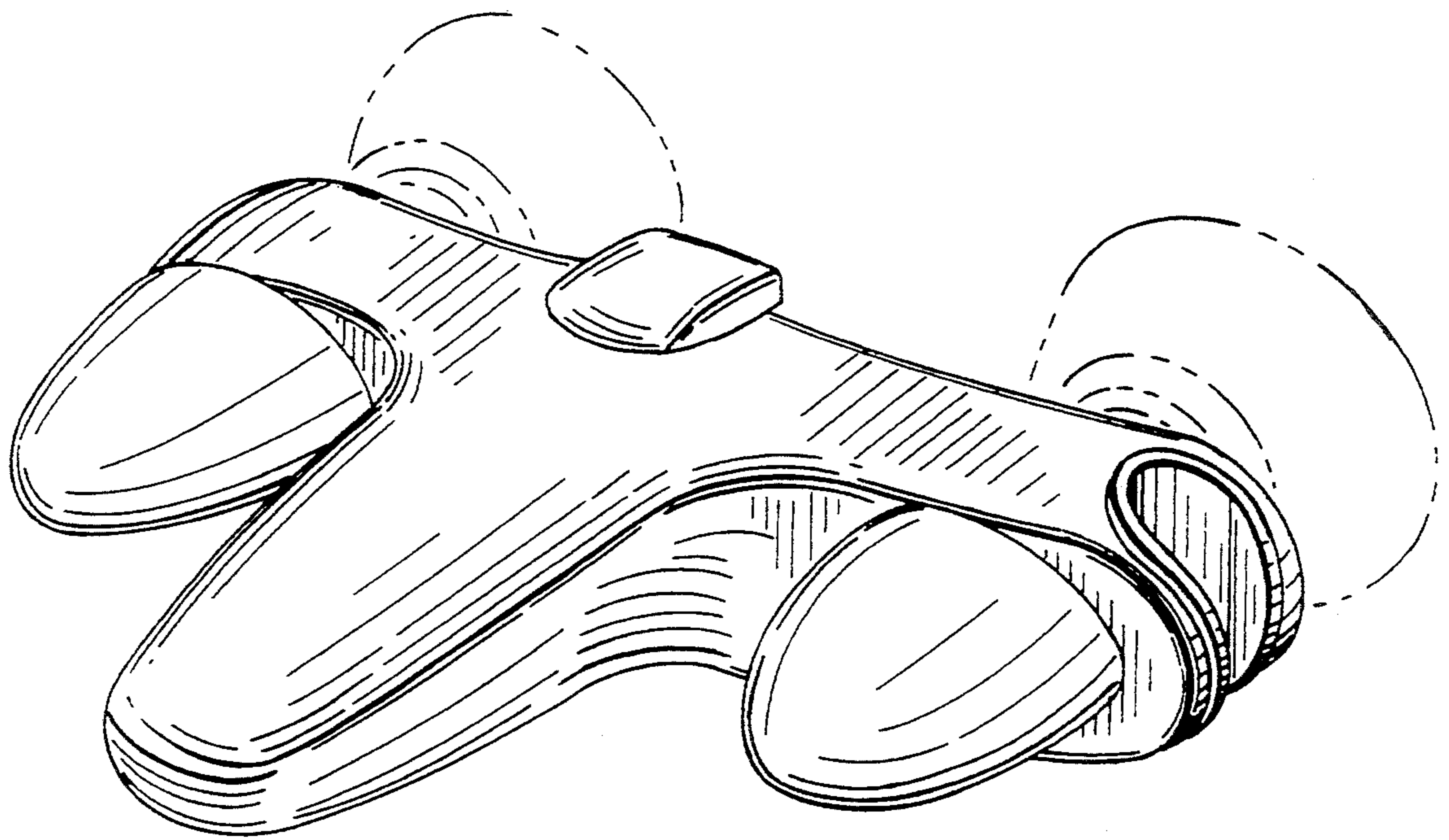


FIG. 8

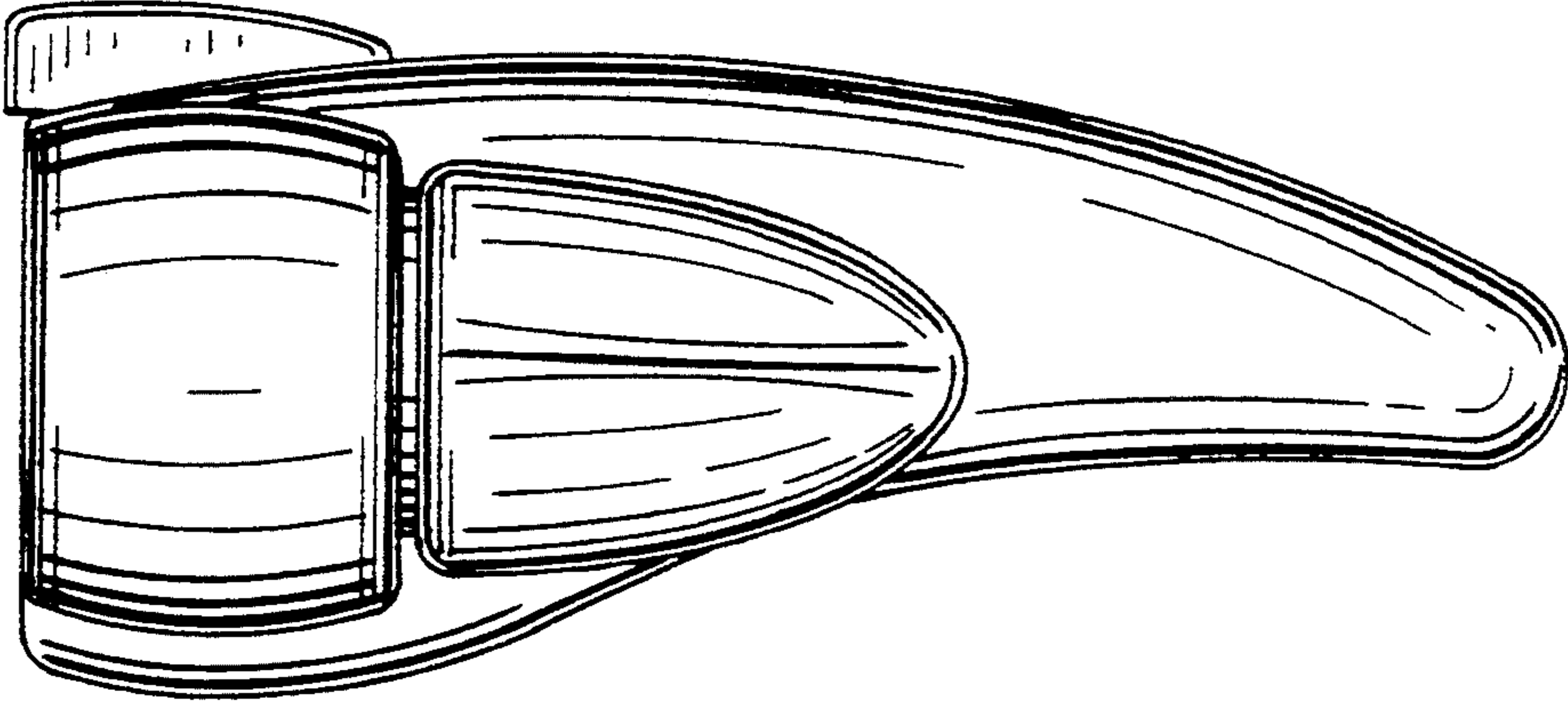


FIG. 9

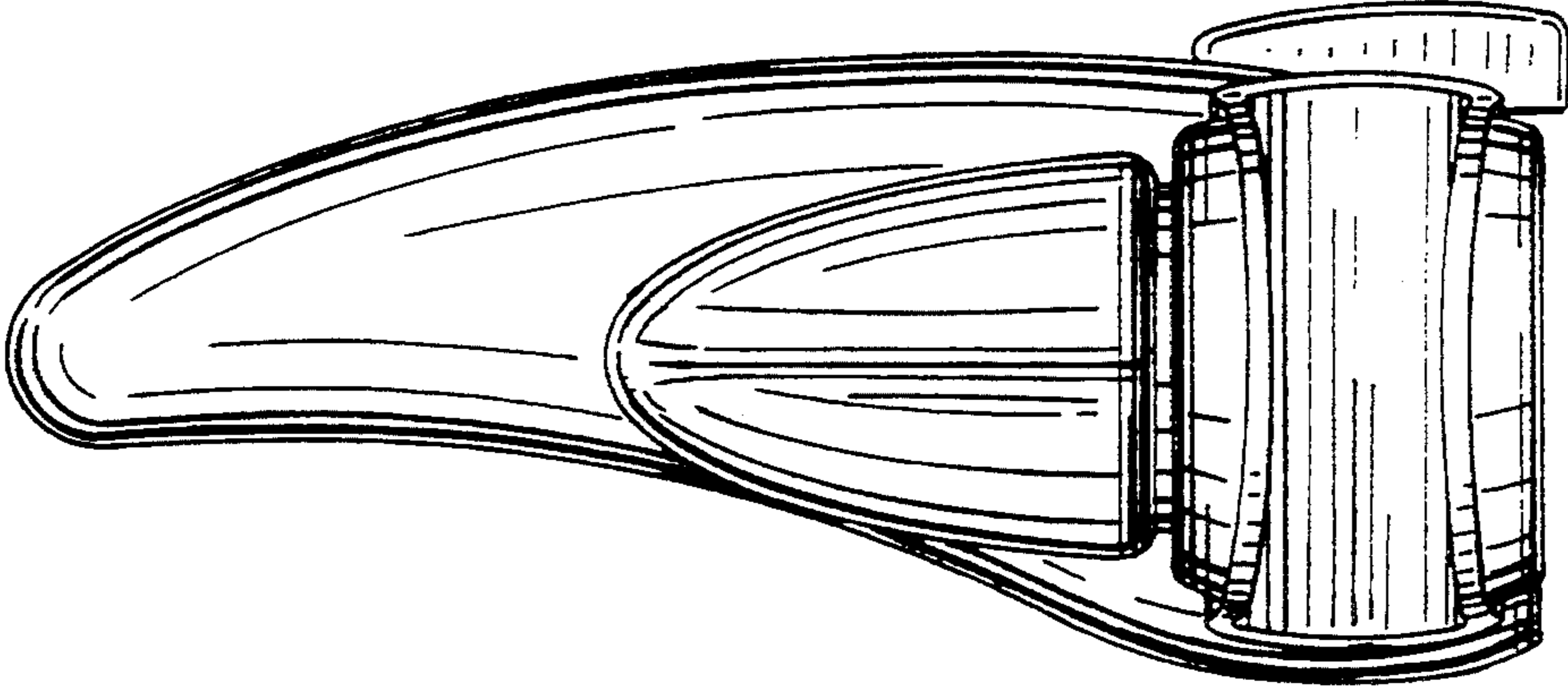


FIG. 10

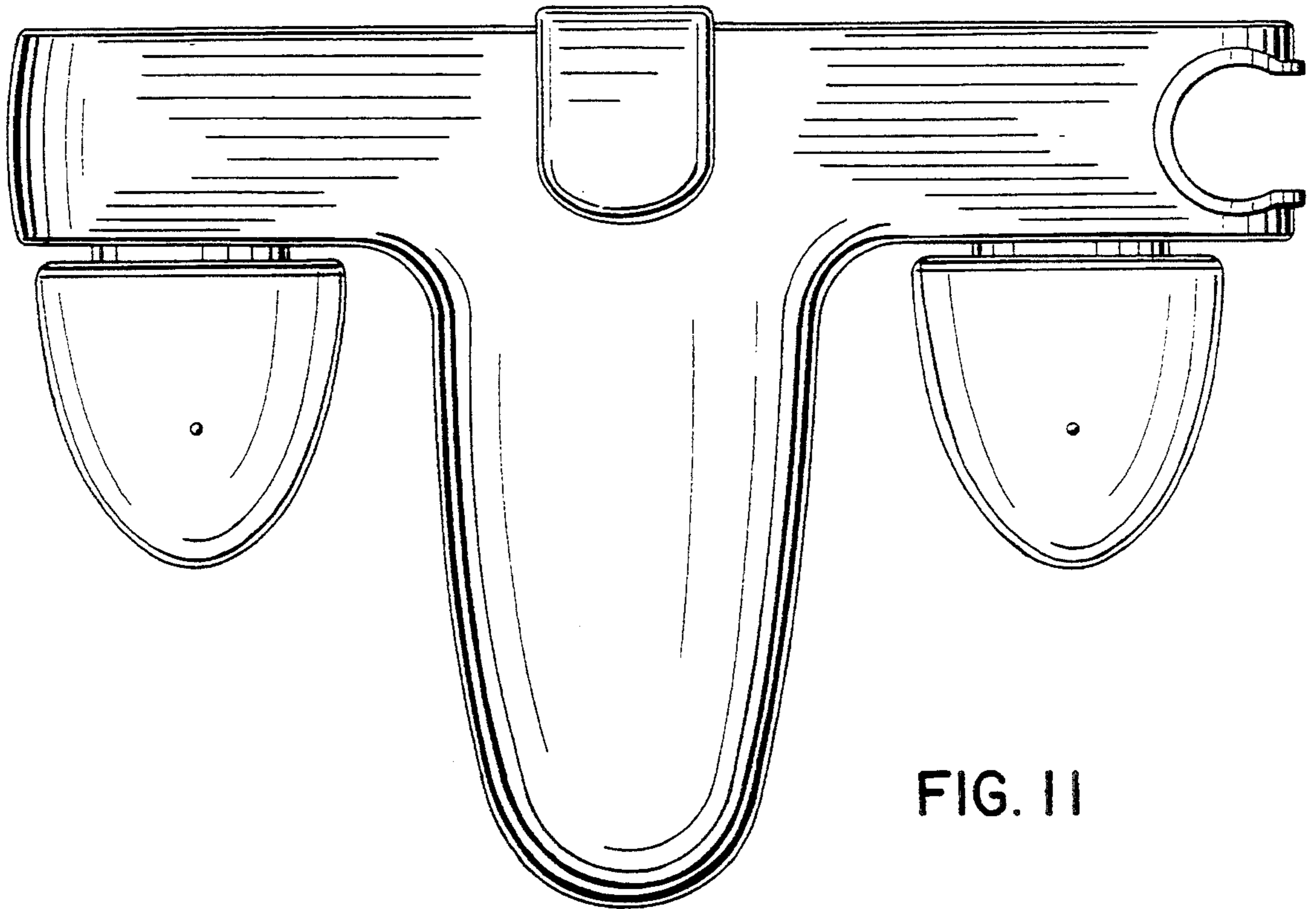


FIG. 11

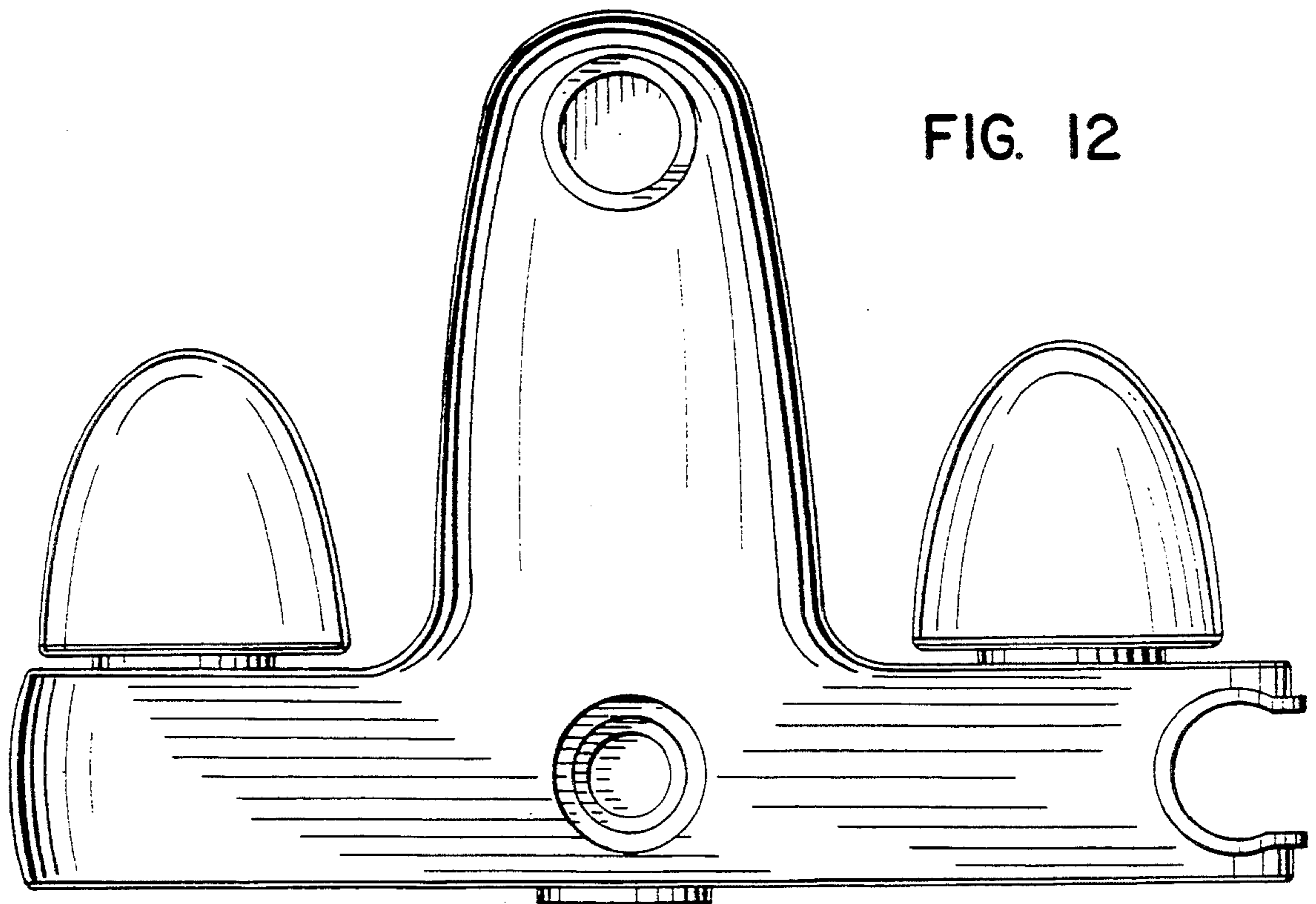


FIG. 12

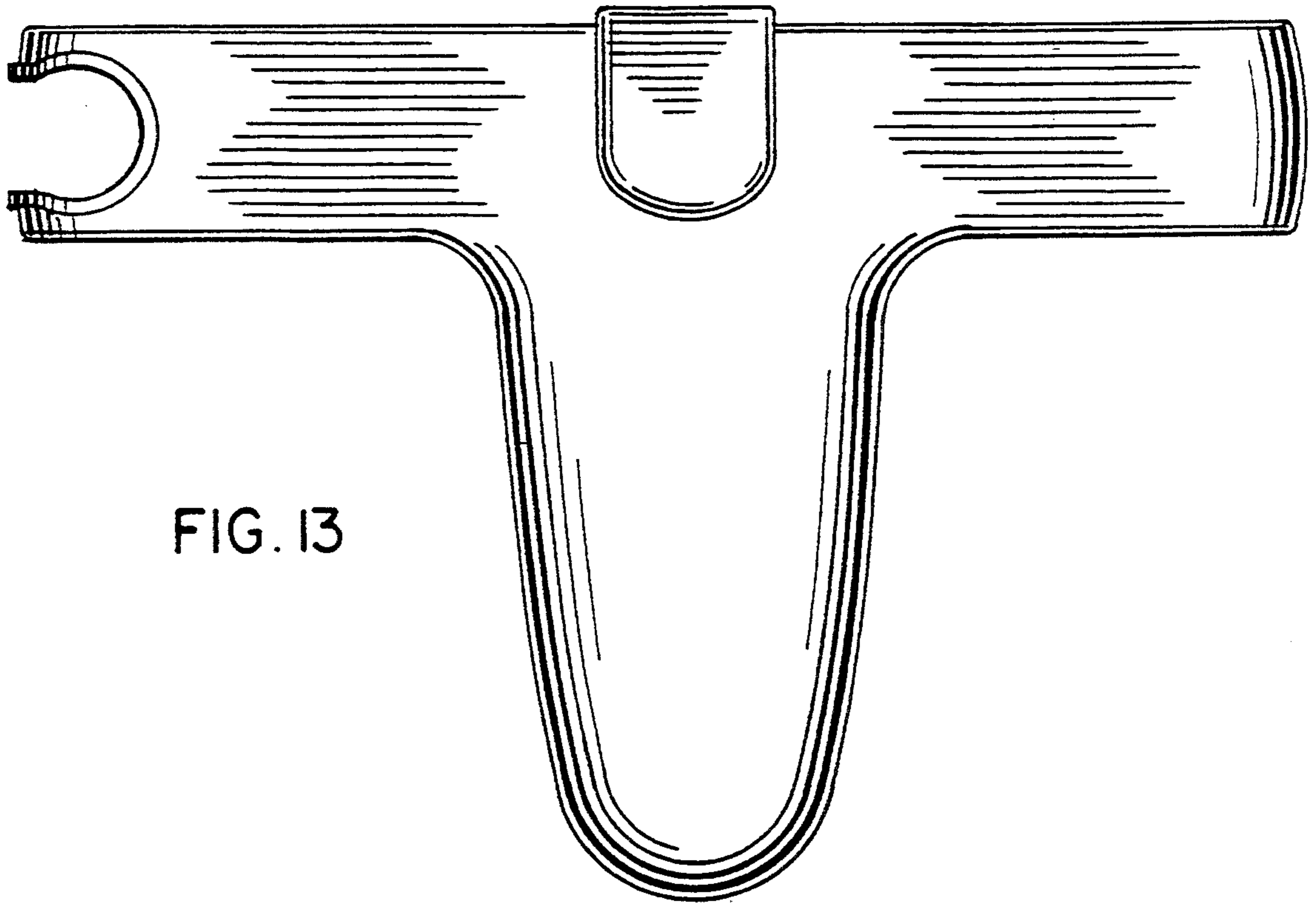


FIG. 13

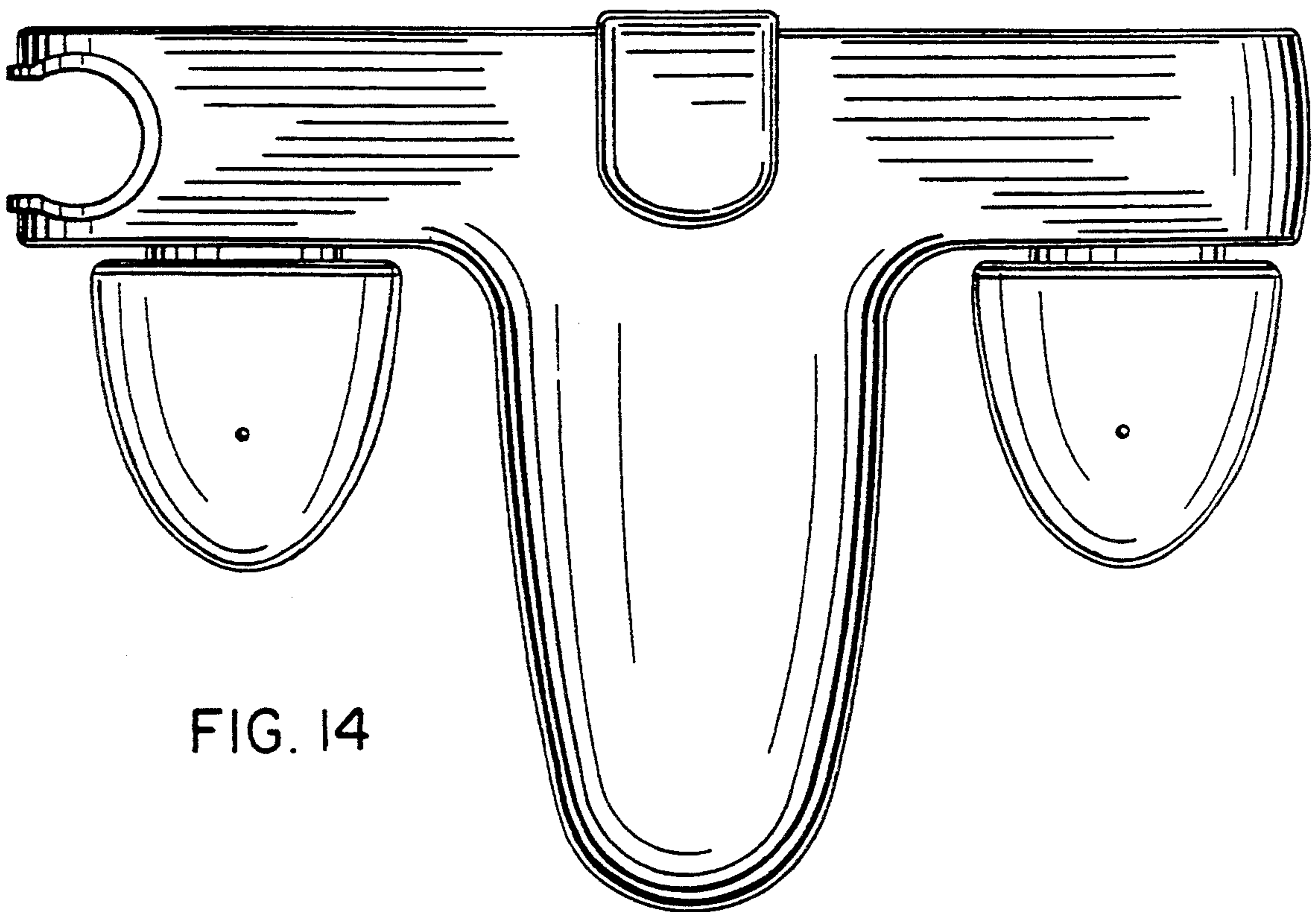


FIG. 14