



US00D359793S

United States Patent [19]

Medlin, Jr. et al.

[11] Patent Number: Des. 359,793

[45] Date of Patent: ** Jun. 27, 1995

[54] FISHING ROD HOLDER

[76] Inventors: Donald W. Medlin, Jr., 711 Dutchman Rd., Griffin, Ga. 30223; Jefferson J. Butterworth, 1640 Locust Grove, Locust Grove, Ga. 30248

[**] Term: 14 Years

[21] Appl. No.: 19,723

[22] Filed: Mar. 9, 1994

[52] U.S. Cl. D22/147

[58] Field of Search D22/147, 148; 248/156, 248/529, 512, 513, 534, 530, 533; 43/21.2

[56] References Cited

U.S. PATENT DOCUMENTS

D. 344,321	2/1994	DeWitt	D22/147	X
2,593,783	4/1952	Mitchell	248/533	
2,752,115	6/1956	Green	248/533	
2,804,277	8/1957	Kinder	43/21.2	

2,971,735	2/1961	Johnson	248/533	
3,385,544	5/1968	Barnett	248/513	
3,431,670	3/1969	Harpham	43/21.2	
4,031,651	6/1977	Titze	43/21.2	X
4,730,408	3/1988	Miller	43/21.2	X

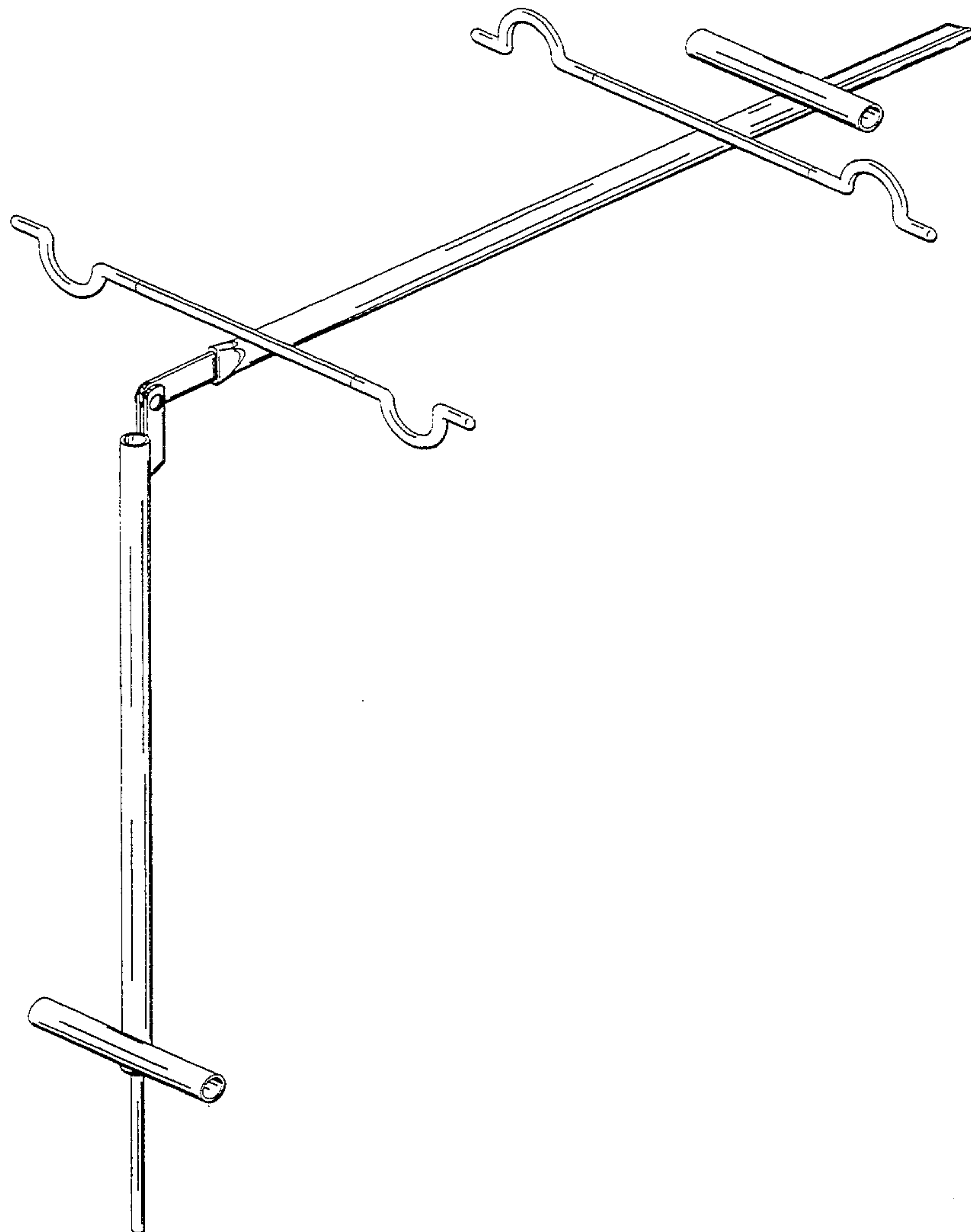
Primary Examiner—Doris V. Coles
Attorney, Agent, or Firm—Jones & Askew

[57] CLAIM

The ornamental design for a fishing rod holder, as shown and described.

DESCRIPTION

FIG. 1 is a perspective view of a fishing rod holder in opened position;
FIG. 2 is a front elevation view thereof;
FIG. 3 is a right side (left side identical) elevation view thereof;
FIG. 4 is a back elevation view thereof;
FIG. 5 is a top plan view thereof;
FIG. 6 is a bottom plan view thereof; and,
FIG. 7 is a perspective view thereof in closed position.



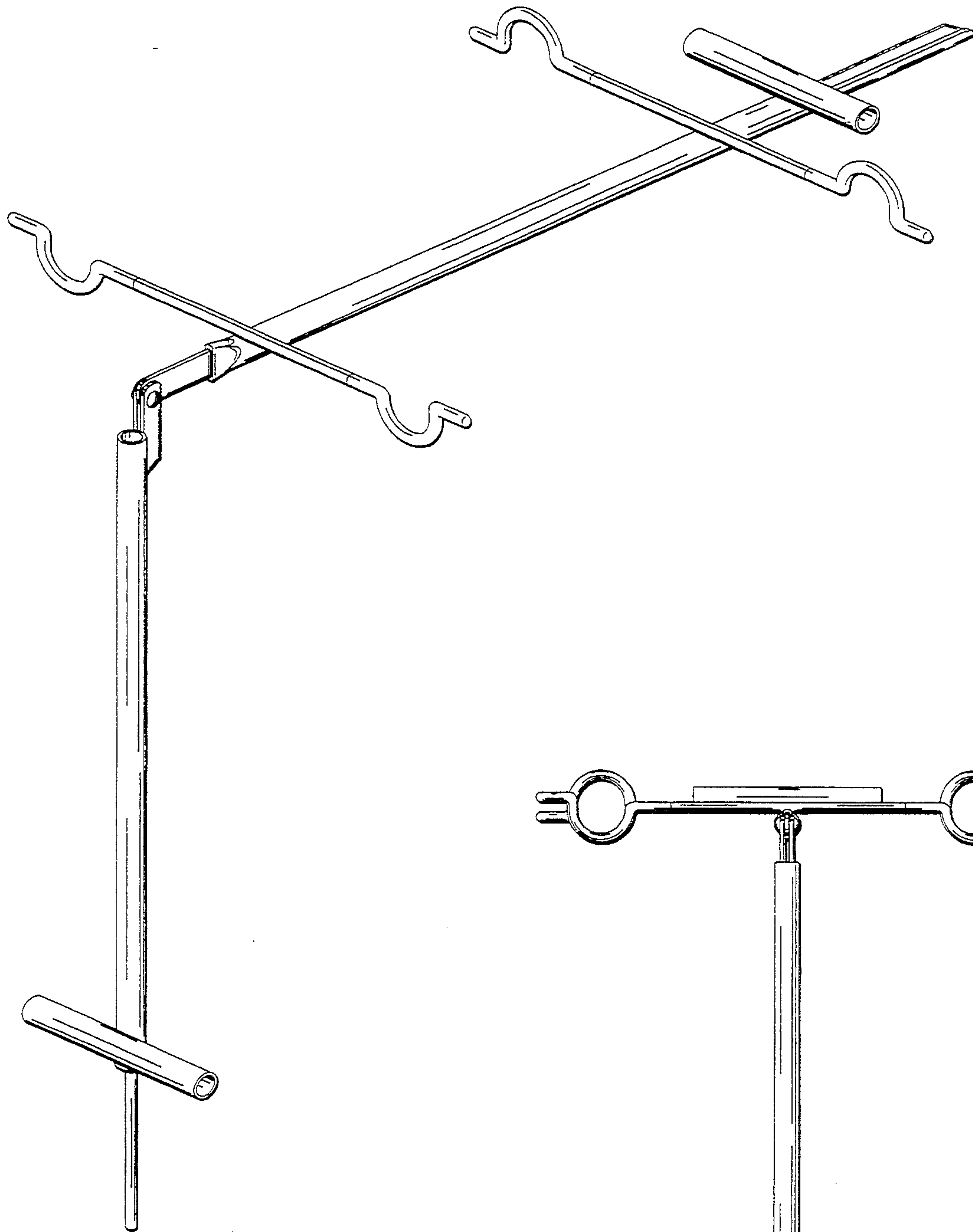


FIG. 1

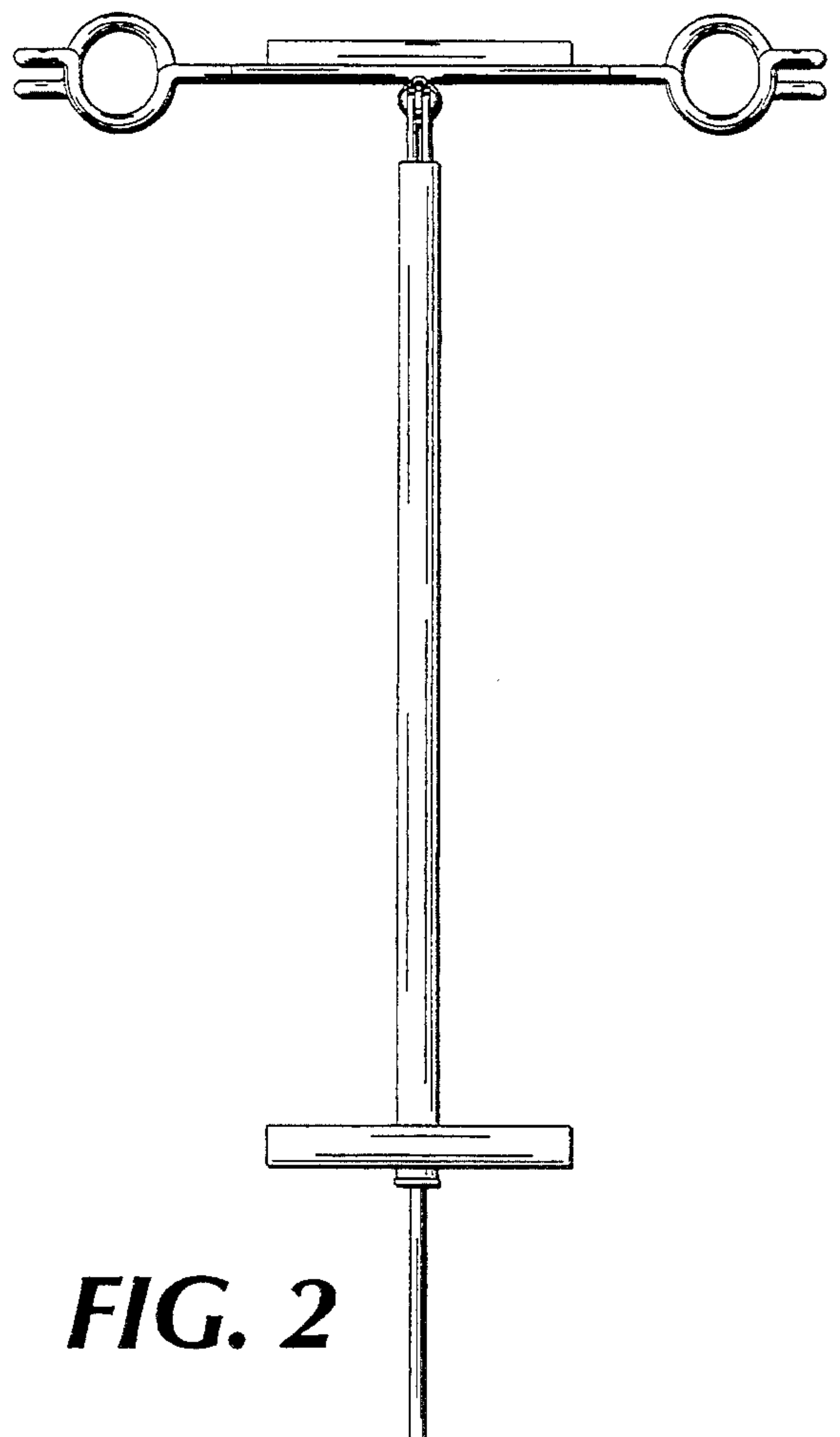


FIG. 2

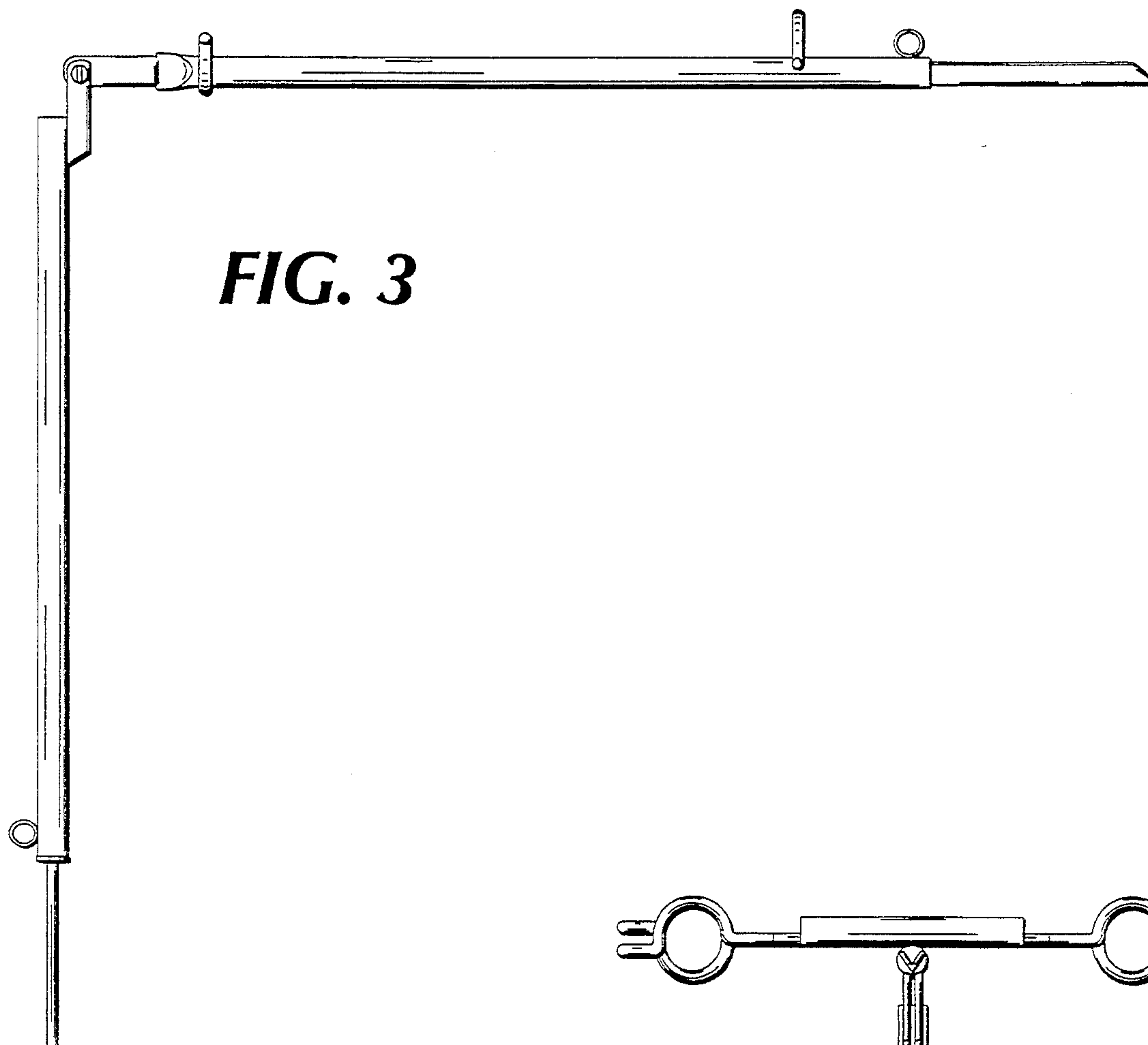


FIG. 3

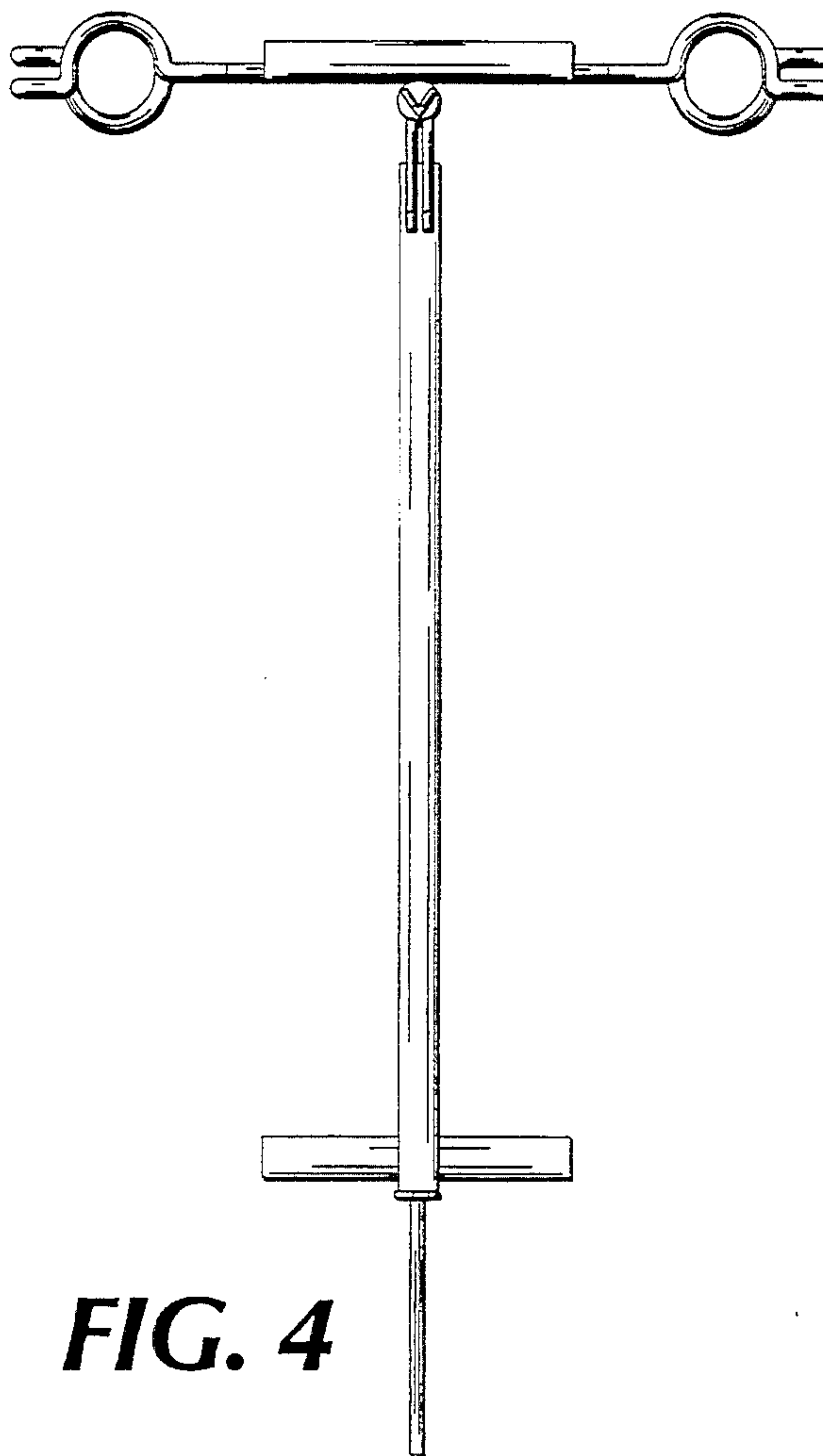


FIG. 4

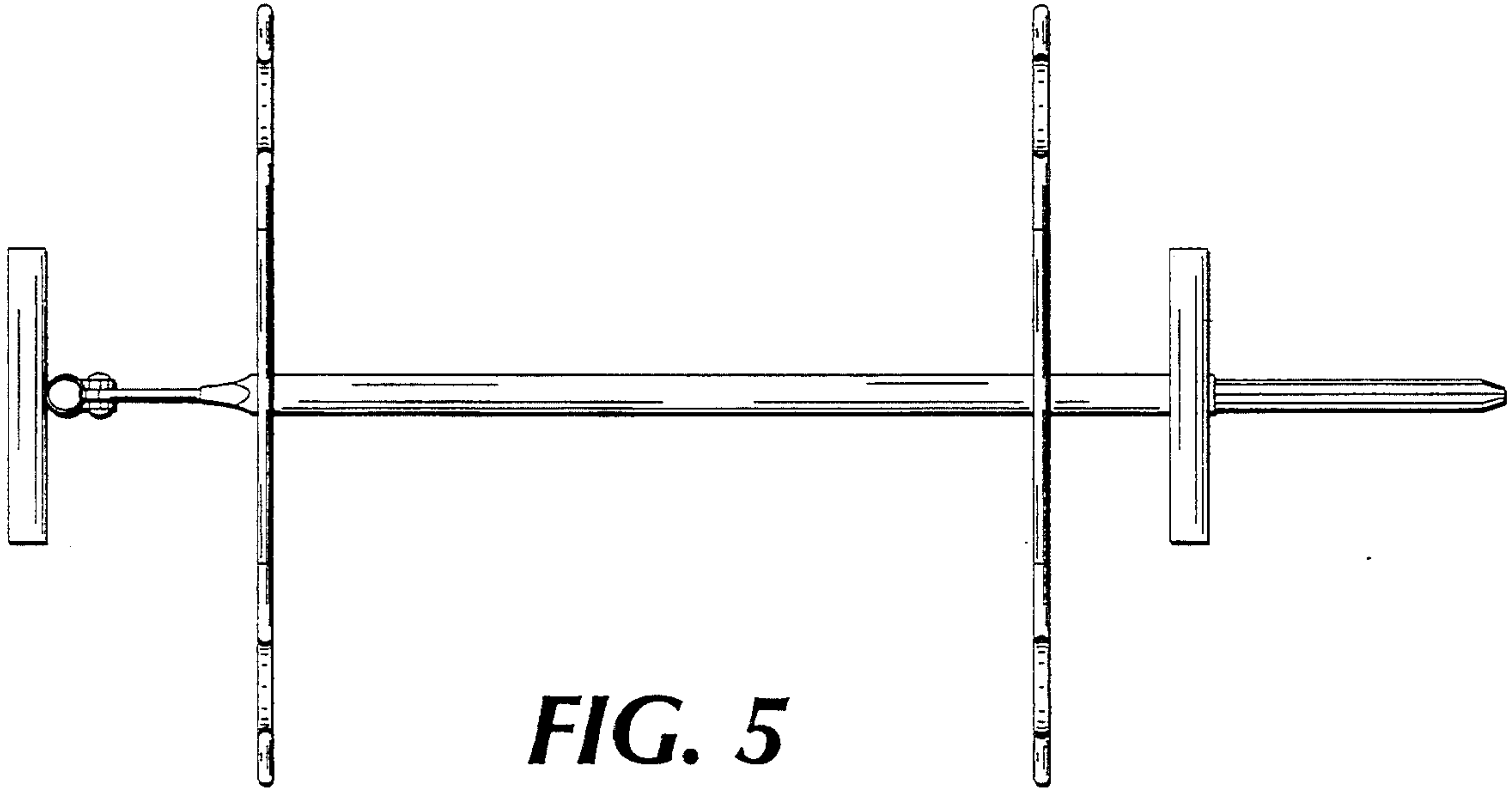


FIG. 5

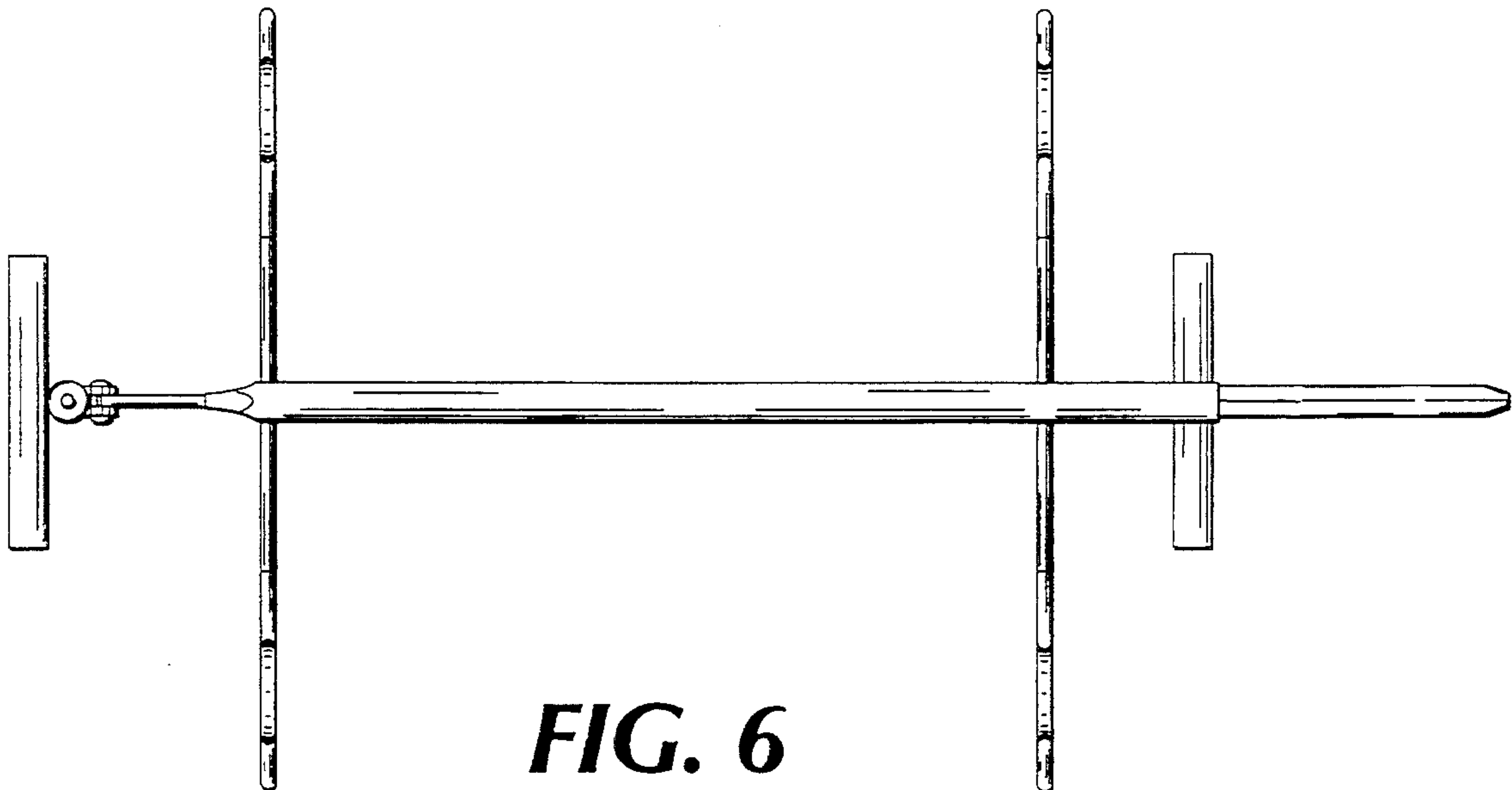


FIG. 6

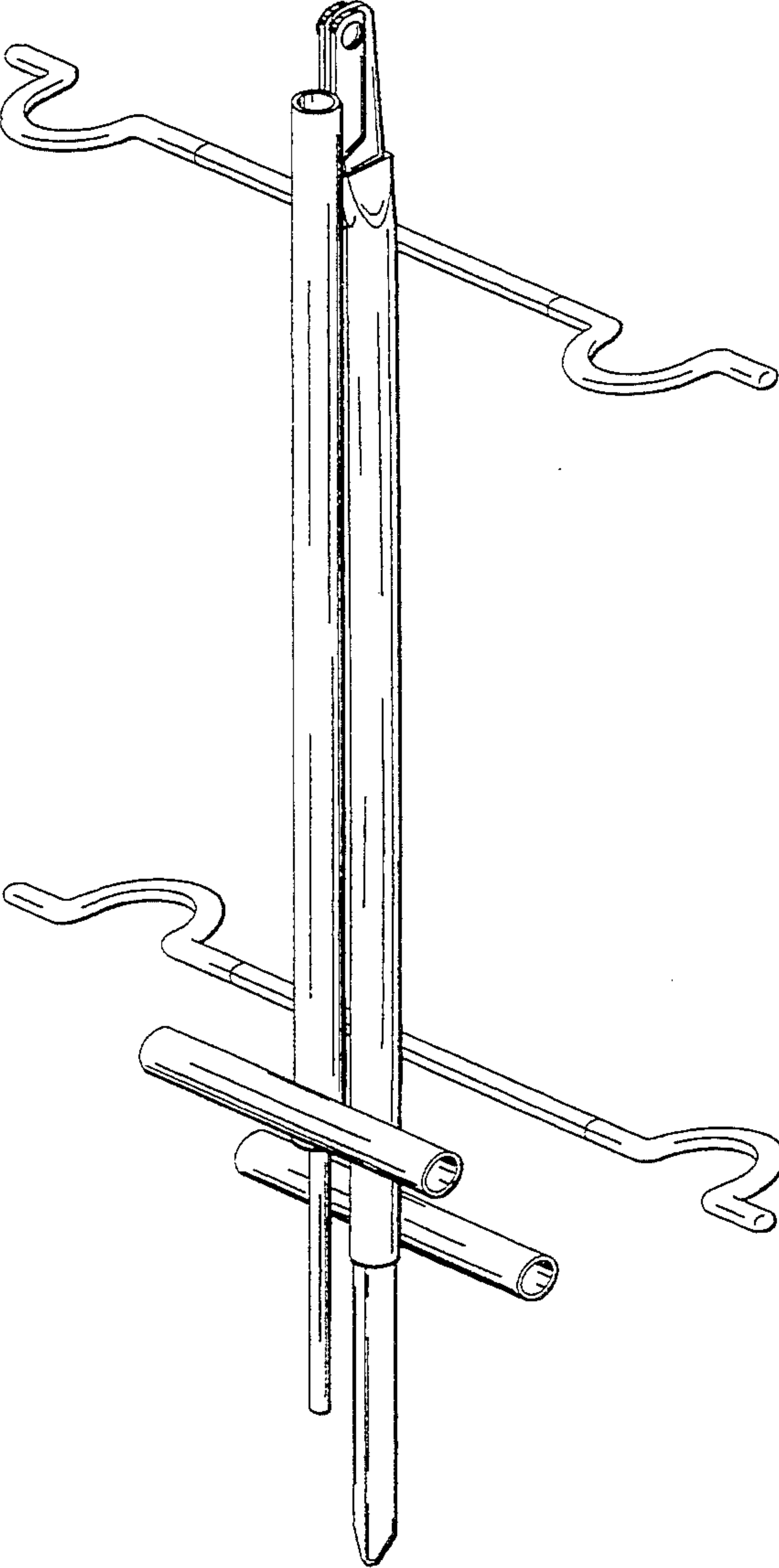


FIG. 7