



US00D359792S

# United States Patent [19]

[11] Patent Number: **Des. 359,792**

**Chipalla, Jr.**

[45] Date of Patent: **\*\* Jun. 27, 1995**

[54] **FISH HOOK BAITER**

[76] Inventor: **William F. Chipalla, Jr.**, 641 Ford St.,  
Corona, Calif. 91720

[\*\*] Term: **14 Years**

[21] Appl. No.: **9,232**

[22] Filed: **Jun. 10, 1993**

[52] U.S. Cl. .... **D22/134**

[58] Field of Search ..... **D22/134, 149; D7/693;**  
43/4, 55

4,850,129 7/1989 Hoepfner et al. .... 43/4  
5,117,571 6/1992 Sites ..... 43/4

Primary Examiner—Doris V. Coles

### [57] CLAIM

The ornamental design for a fish hook baiter, as shown and described.

### DESCRIPTION

FIG. 1 is a front elevational view of a fish hook baiter showing my new design;  
FIG. 2 is a rear elevational view thereof;  
FIG. 3 is a left side elevational view thereof;  
FIG. 4 is a right side elevational view thereof;  
FIG. 5 is a top plan view thereof;  
FIG. 6 is a bottom plan view thereof; and,  
FIG. 7 is an isometric view thereof.

The broken line showing of environment in FIG. 7 is for illustrative purposes only and forms no part of the claimed design.

[56] **References Cited**  
**U.S. PATENT DOCUMENTS**

D. 244,416	5/1977	Zysset .....	D7/693
2,458,671	1/1949	Zirbel .....	43/4
2,846,803	8/1958	Rettig .....	43/4
3,384,963	5/1968	Brando .....	D7/693 X
3,964,201	6/1976	Biliunas et al. ....	43/4
3,976,413	8/1976	Popeil .....	43/4 X

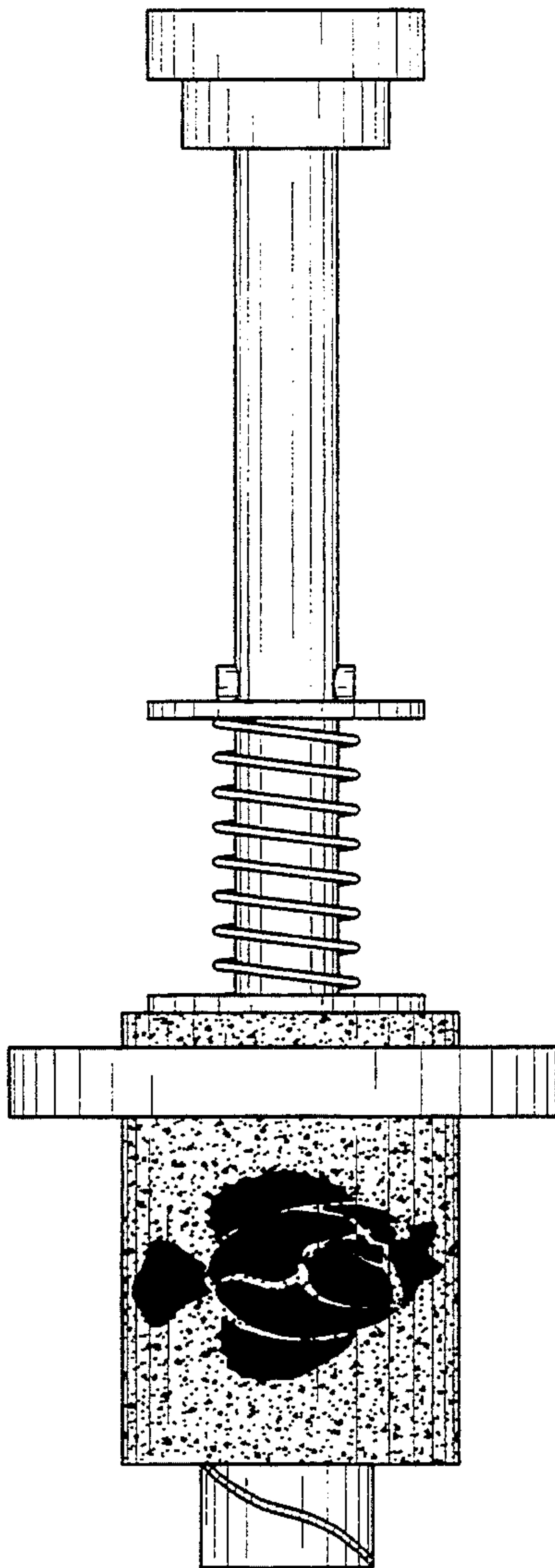


FIG. 1

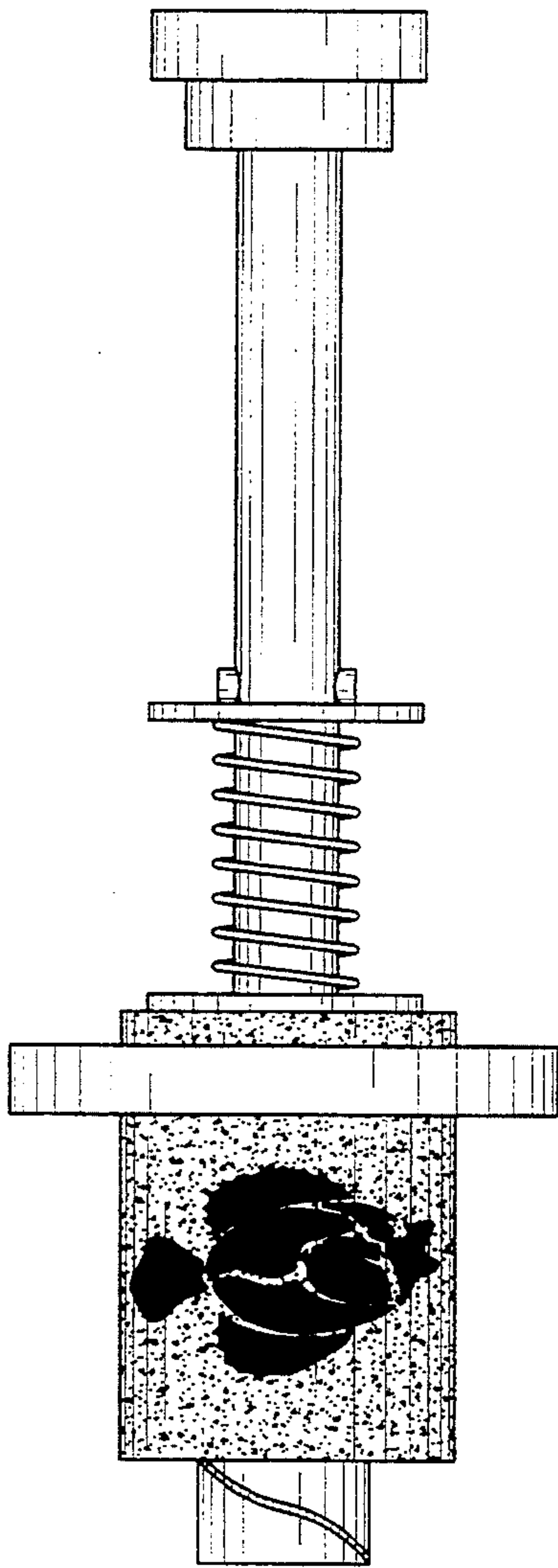


FIG. 2

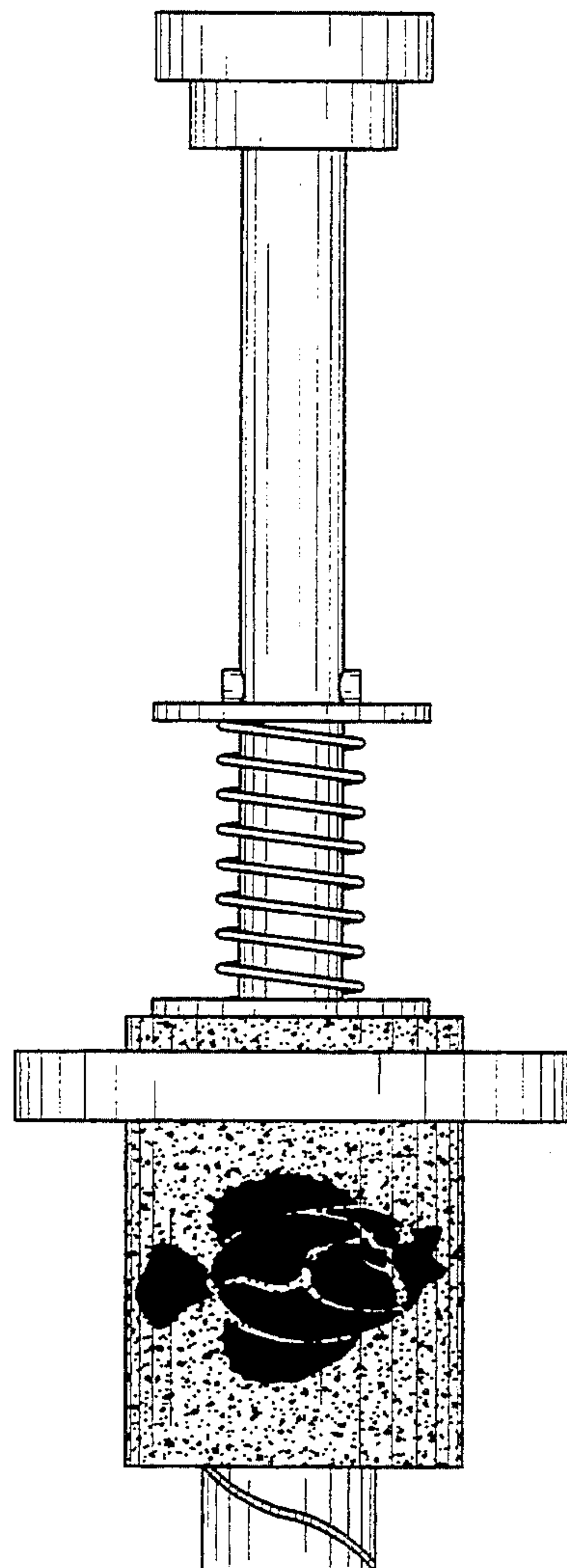


FIG. 3

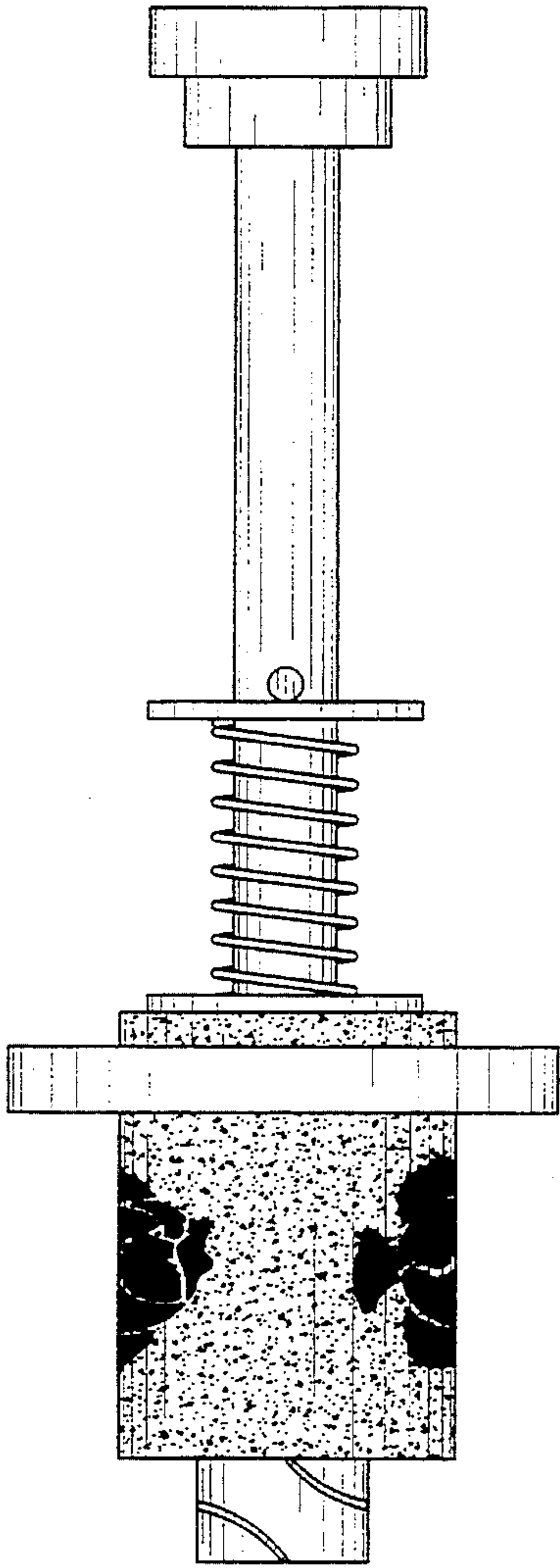
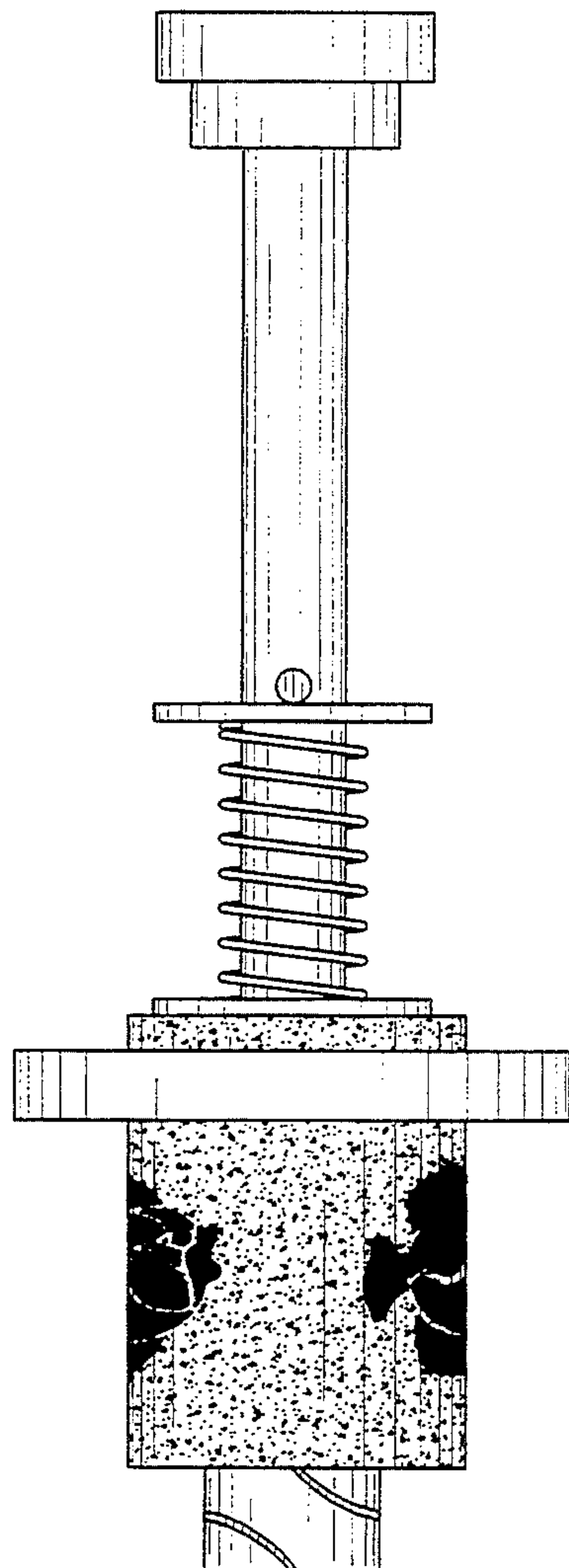
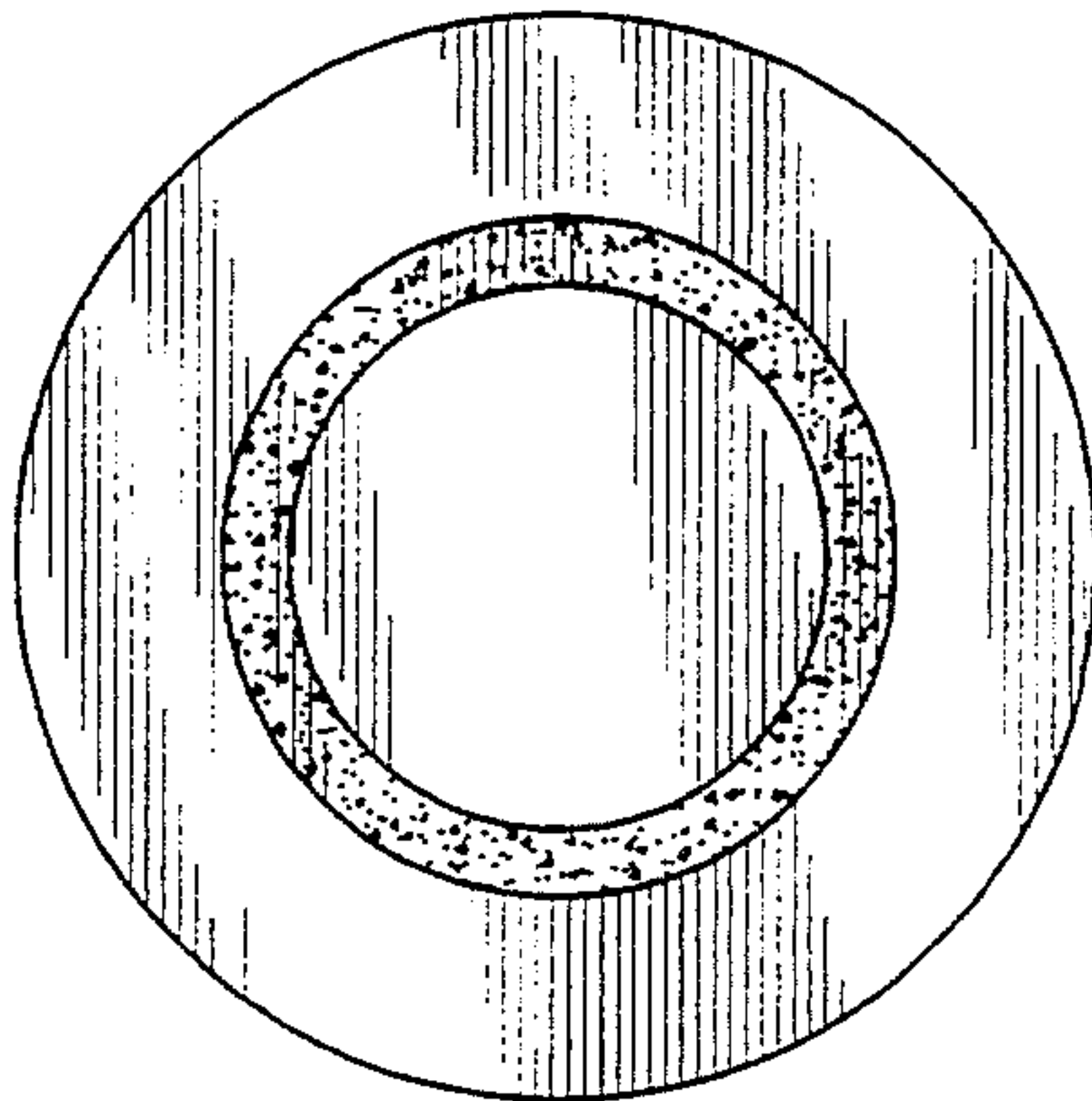


FIG. 4



*FIG. 5*



*FIG. 6*

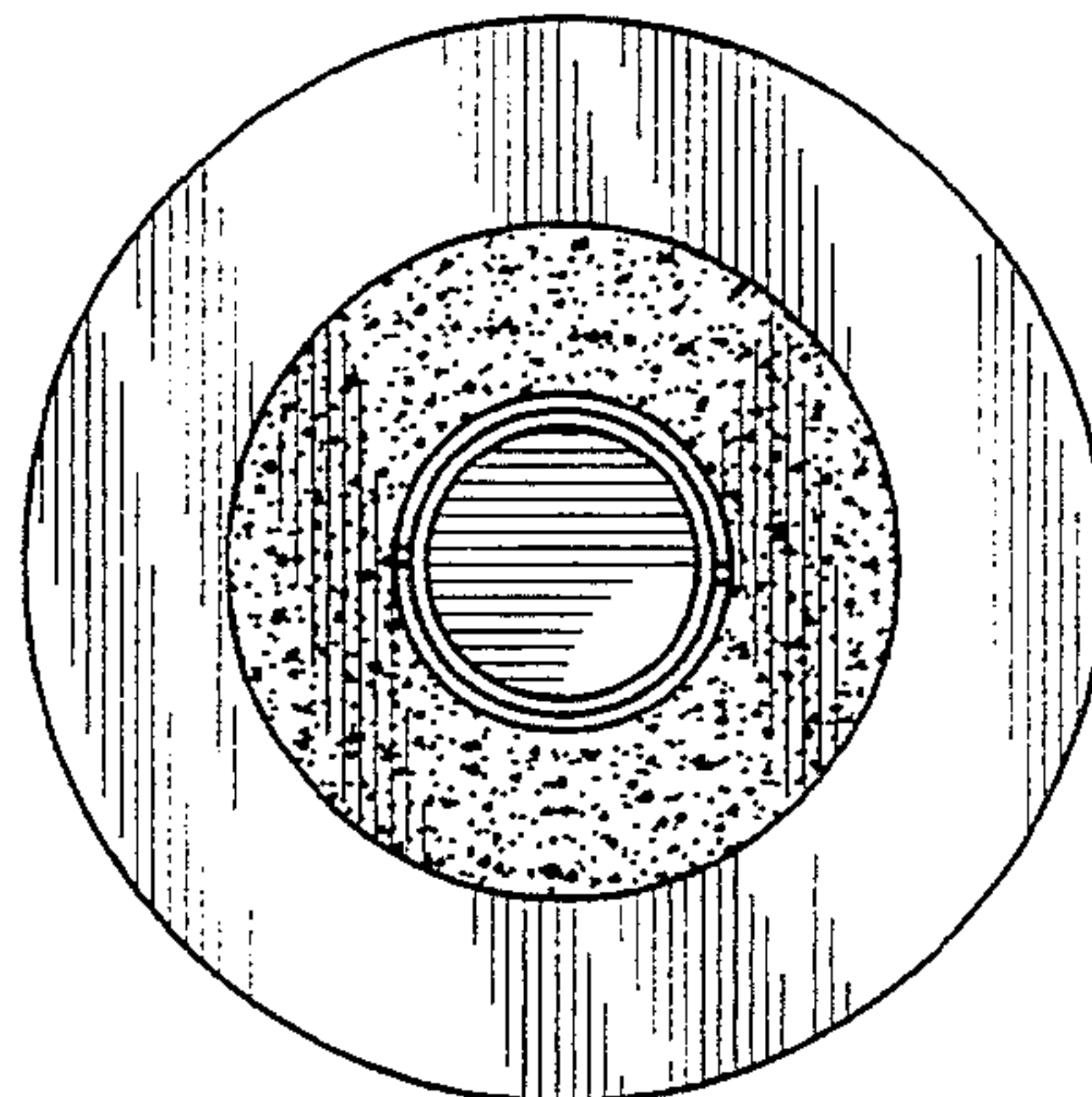


FIG. 7

