



US00D359784S

United States Patent [19]

[11] Patent Number: **Des. 359,784**

Meyer et al.

[45] Date of Patent: **** Jun. 27, 1995**

- [54] **GOLF CLUB HEAD**
- [75] Inventors: **Dean E. Meyer, LaGrange Park; Carl E. Scheie, Libertyville, both of Ill.**
- [73] Assignee: **Wilson Sporting Goods Co., Chicago, Ill.**
- [**] Term: **14 Years**
- [21] Appl. No.: **21,138**
- [22] Filed: **Apr. 11, 1994**
- [52] U.S. Cl. **D21/220**
- [58] Field of Search **D21/220; 273/167-175**

- 5,026,056 6/1991 McNally .
- 5,120,062 6/1992 Scheie .
- 5,228,694 7/1993 Okomoto et al. 273/172 X
- 5,282,625 2/1994 Schmidt et al. 273/169 X
- 5,292,122 3/1994 Solheim .

OTHER PUBLICATIONS

Golf World; Jan. 1986; p. 25; "MacGregor" club at bottom of page.
 Golf Digest; May 1986; p. 9; Iron, lower right of page.

Primary Examiner—Theodore M. Shooman
Assistant Examiner—Mitchell I. Siegel

[57] CLAIM

The ornamental design for a golf club head, as shown and described.

References Cited

U.S. PATENT DOCUMENTS

- D. 239,778 5/1976 Solheim .
- D. 240,841 8/1976 Solheim .
- D. 256,264 8/1980 Solheim .
- D. 276,644 12/1984 Solheim .
- D. 327,109 6/1992 Hardman .
- D. 329,905 9/1992 Antonious D21/220
- D. 332,812 1/1993 Solheim .
- D. 344,778 3/1994 Solheim .
- 3,655,188 4/1972 Solheim .
- 4,512,577 4/1985 Solheim .
- 4,621,813 11/1986 Solheim .
- 4,854,581 8/1989 Long 273/167 A X

DESCRIPTION

FIG. 1 is a top plan view of the golf club head showing a new design;
 FIG. 2 is a front elevational view thereof;
 FIG. 3 is a rear elevational view thereof;
 FIG. 4 is a bottom plan view thereof;
 FIG. 5 is a toe end view thereof;
 FIG. 6 is a sectional view taken along the line 6—6 of FIG. 3; and,
 FIG. 7 is a sectional view taken along the line 7—7 of FIG. 3.

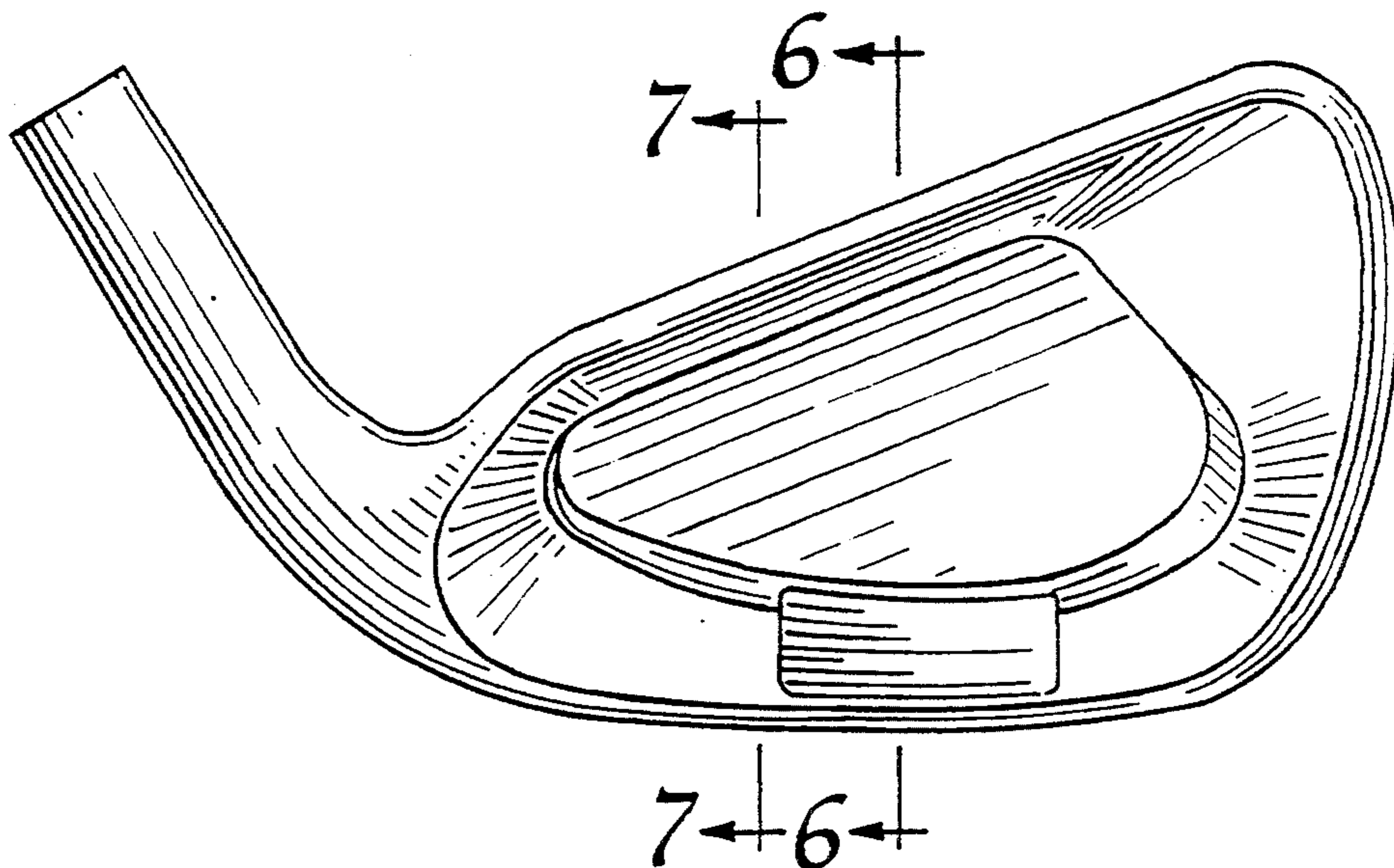


Fig. 5

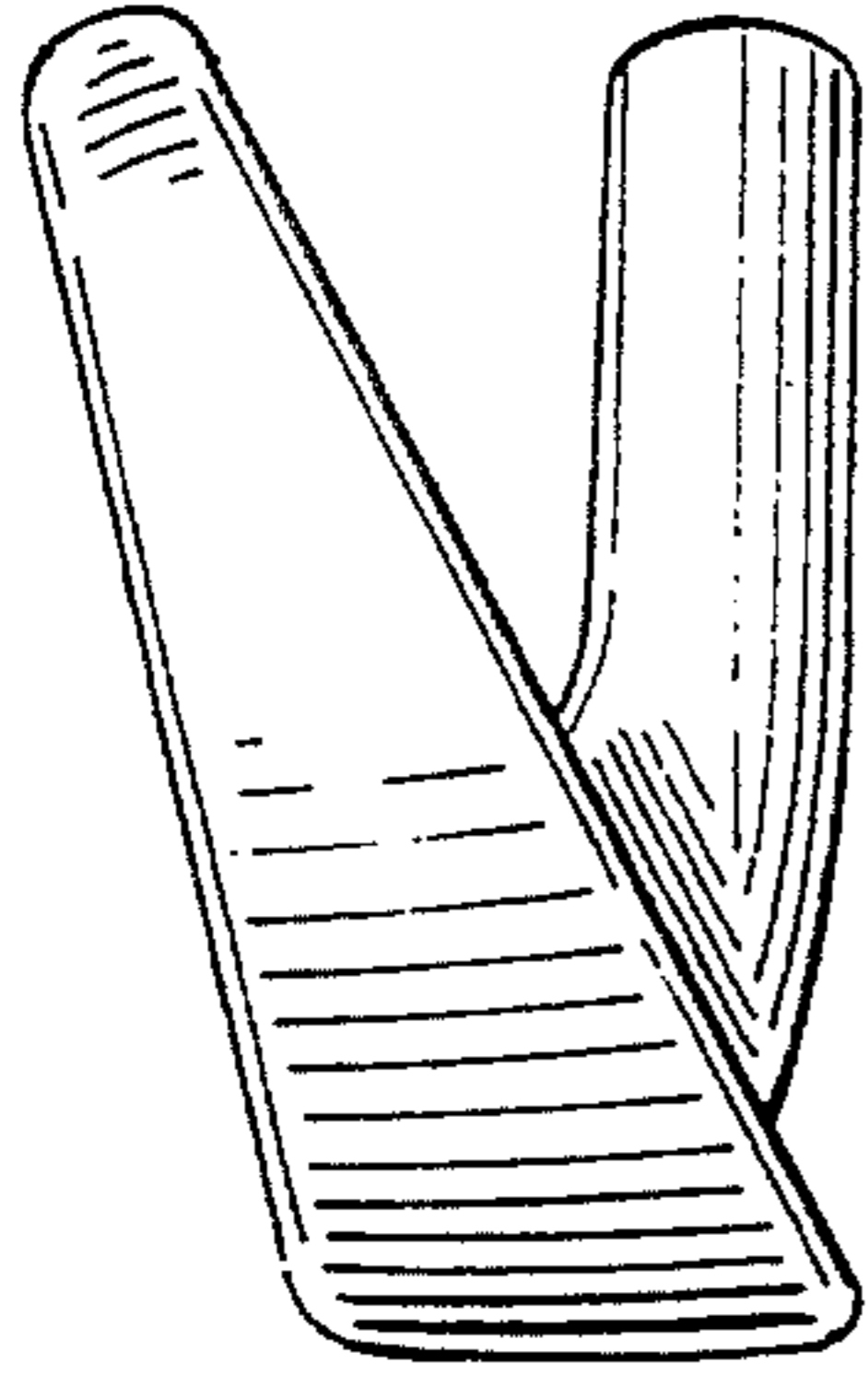


Fig. 1

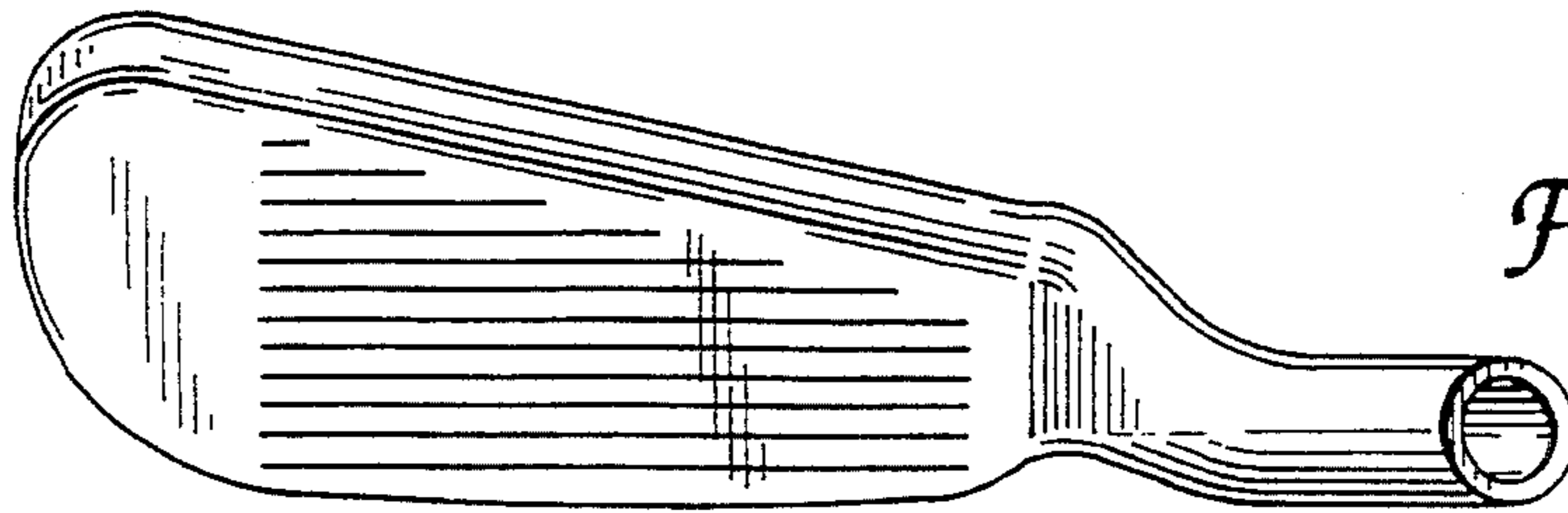


Fig. 2

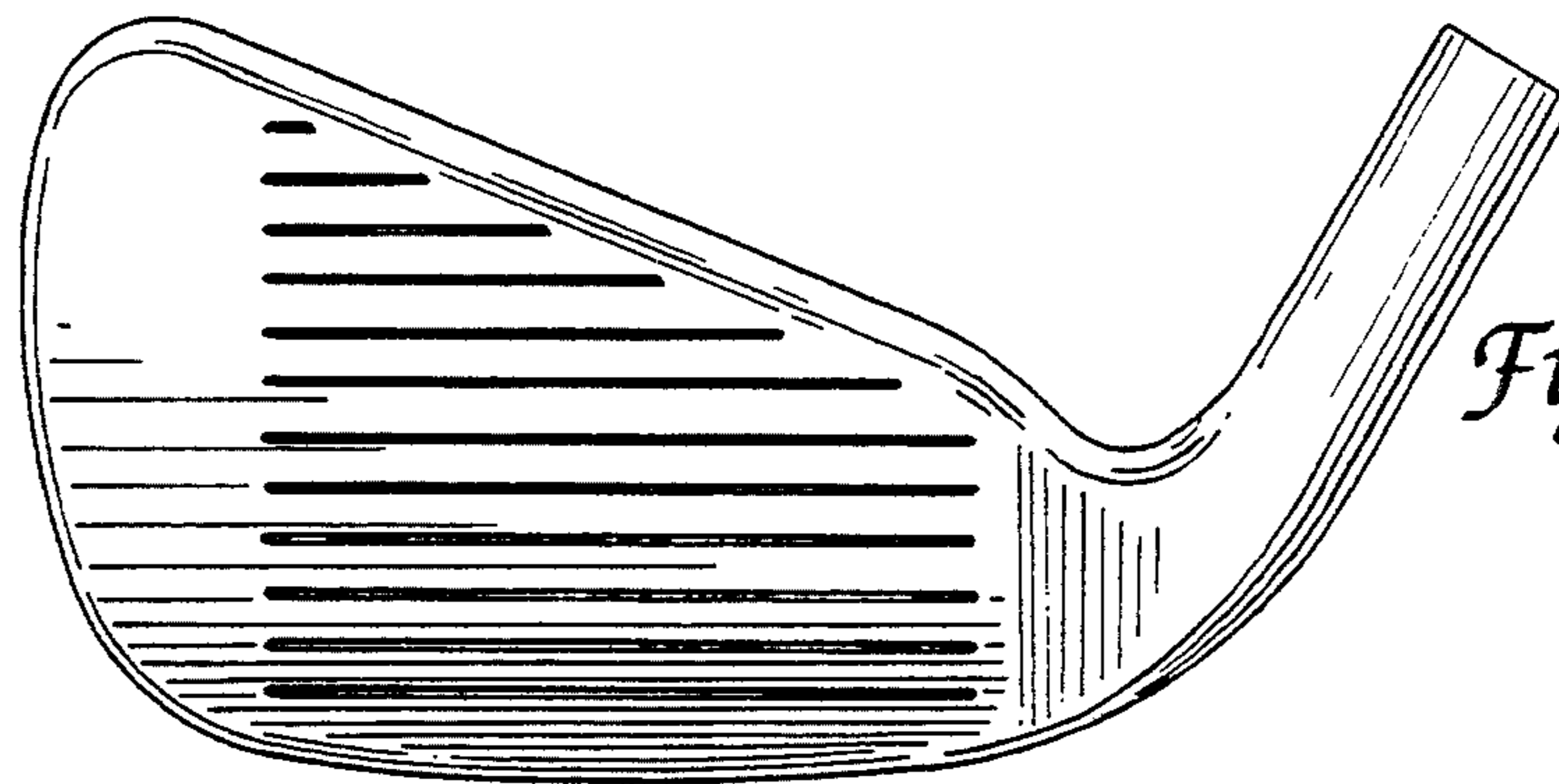


Fig. 6

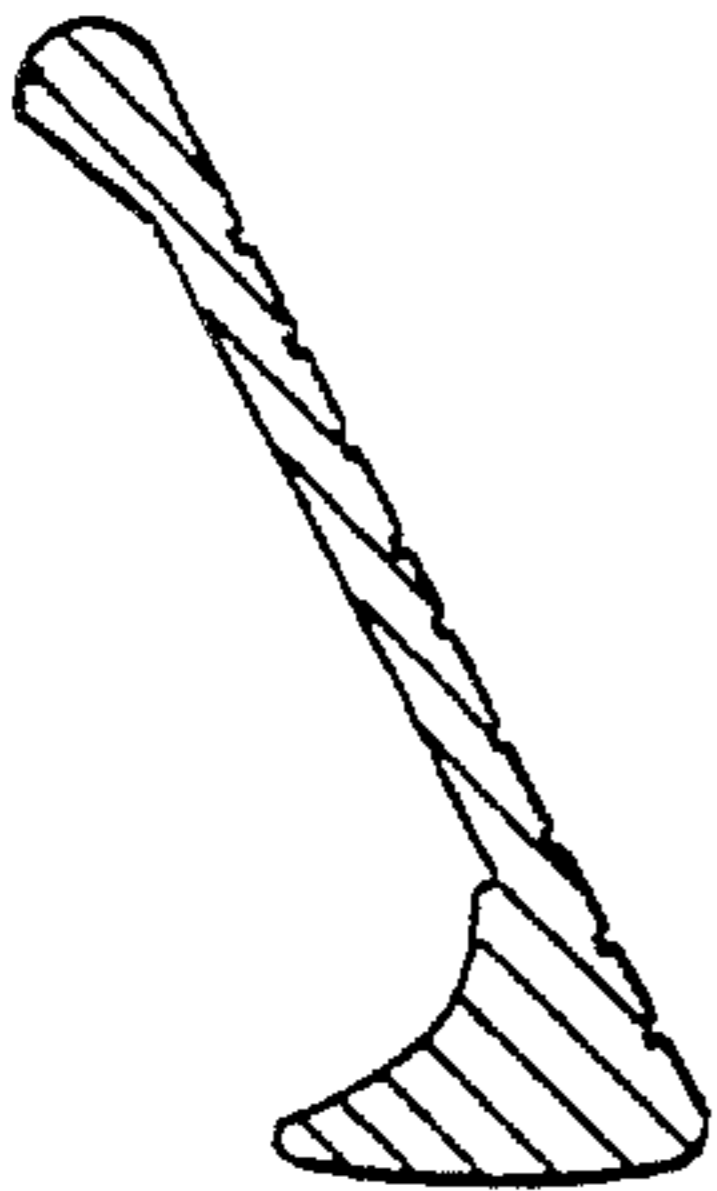


Fig. 3

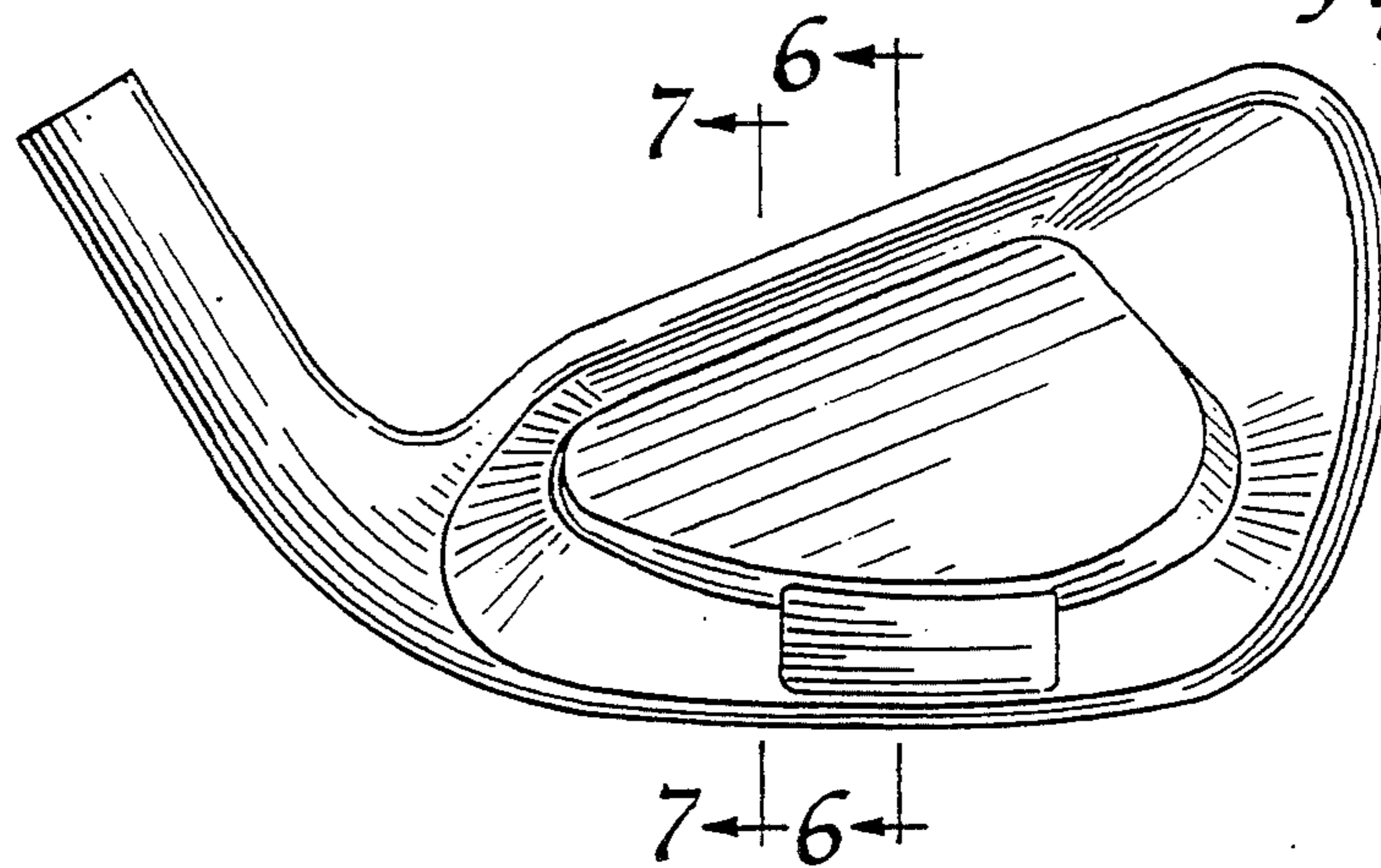


Fig. 7

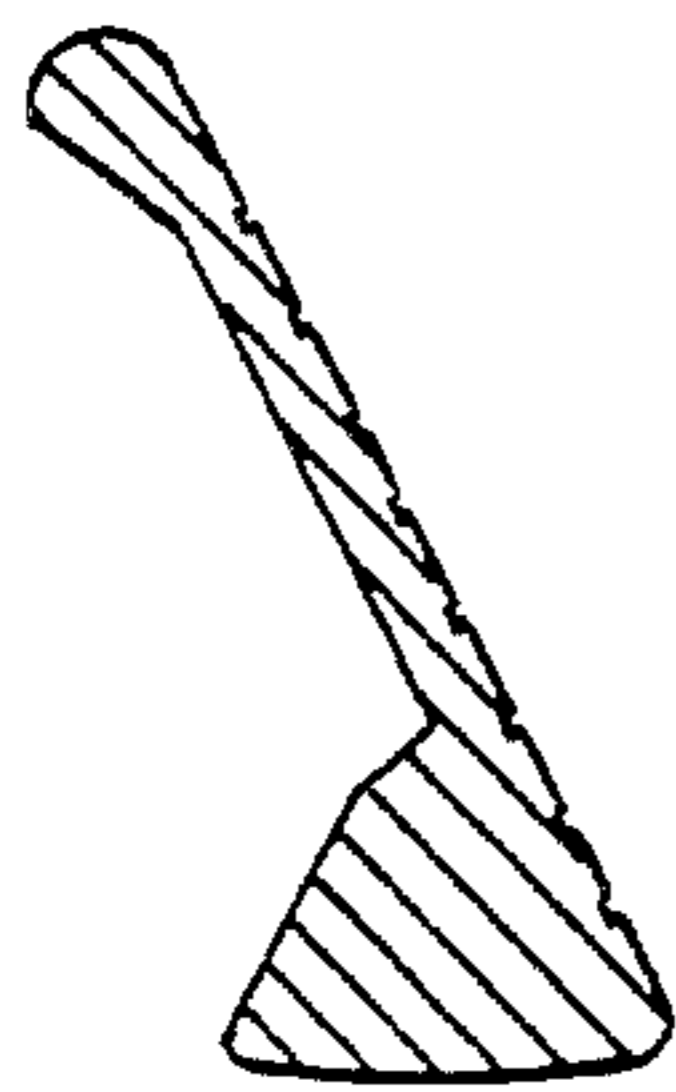


Fig. 4

