



US00D359779S

United States Patent [19]

[11] Patent Number: **Des. 359,779**

Peters et al.

[45] Date of Patent: **** Jun. 27, 1995**

[54] **HAND EXERCISER**

4,678,181 7/1987 Ditsch et al. 482/47
5,147,256 9/1992 Silagy 482/49

[76] Inventors: **Boris Peters**, 26 Blue Sky Dr.,
Owings Mills, Md. 21117; **Vadim Vavulitsky**, 1802 Snow Meadow La.,
#302, Baltimore, Md. 21209

Primary Examiner—Theodore M. Shooman
Assistant Examiner—Philip Hyder
Attorney, Agent, or Firm—Leonard Bloom

[**] Term: **14 Years**

[57] **CLAIM**

[21] Appl. No.: **15,737**

The ornamental design for a hand exerciser, as shown and described.

[22] Filed: **Nov. 26, 1993**

DESCRIPTION

[52] U.S. Cl. **D21/198**

[58] Field of Search D21/191, 198, 197;
482/44, 47, 49

FIG. 1 is a perspective view of a hand exerciser showing my new design, the broken line showing of the hand being for illustrative purposes only and forms no part of the claimed design;

[56] **References Cited**

U.S. PATENT DOCUMENTS

| | | | | |
|------------|---------|---------------|-------|---------|
| D. 253,295 | 10/1979 | Schwartz | | D21/198 |
| D. 294,614 | 3/1988 | Ditsch et al. | | D21/198 |
| 1,229,658 | 6/1917 | Sadow | | D21/197 |
| 3,129,939 | 4/1964 | Stock | | 482/49 |
| 3,265,389 | 8/1966 | Carlson | | 482/49 |
| 3,738,651 | 6/1973 | Norman et al. | | 482/47 |
| 4,553,746 | 11/1985 | Lee | | 482/49 |

FIG. 2 is a top plan view of our hand exerciser;

FIG. 3 is a right side elevation thereof;

FIG. 4 is a front end view thereof;

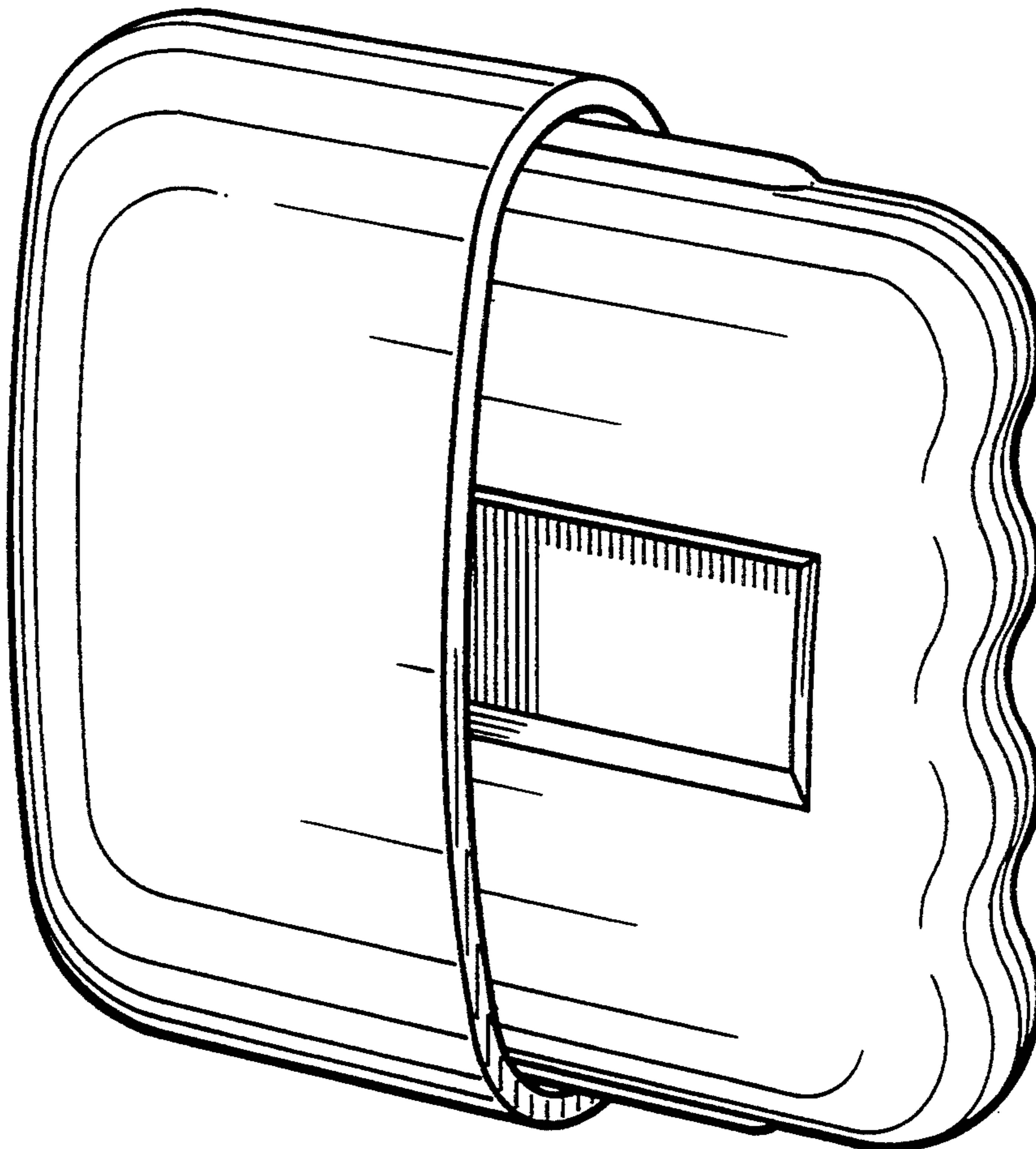
FIG. 5 is a left side elevation thereof;

FIG. 6 is a rear end view thereof;

FIG. 7 is a bottom plan view thereof;

FIG. 8 is an enlarged fragmentary cross-sectional view thereof, taken along line 8—8 of FIG. 3; and,

FIG. 9 is a perspective view thereof.



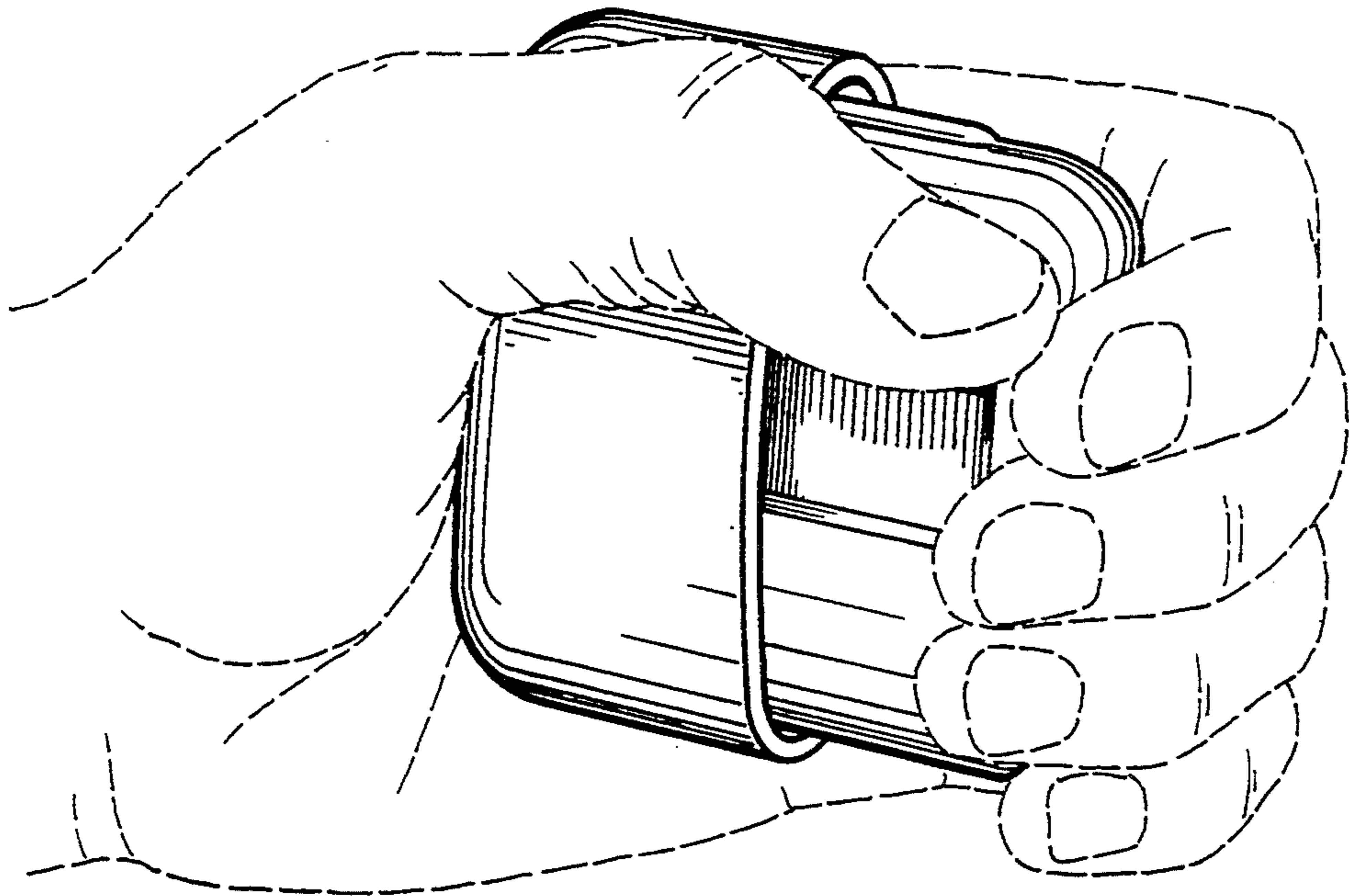


Fig. 1

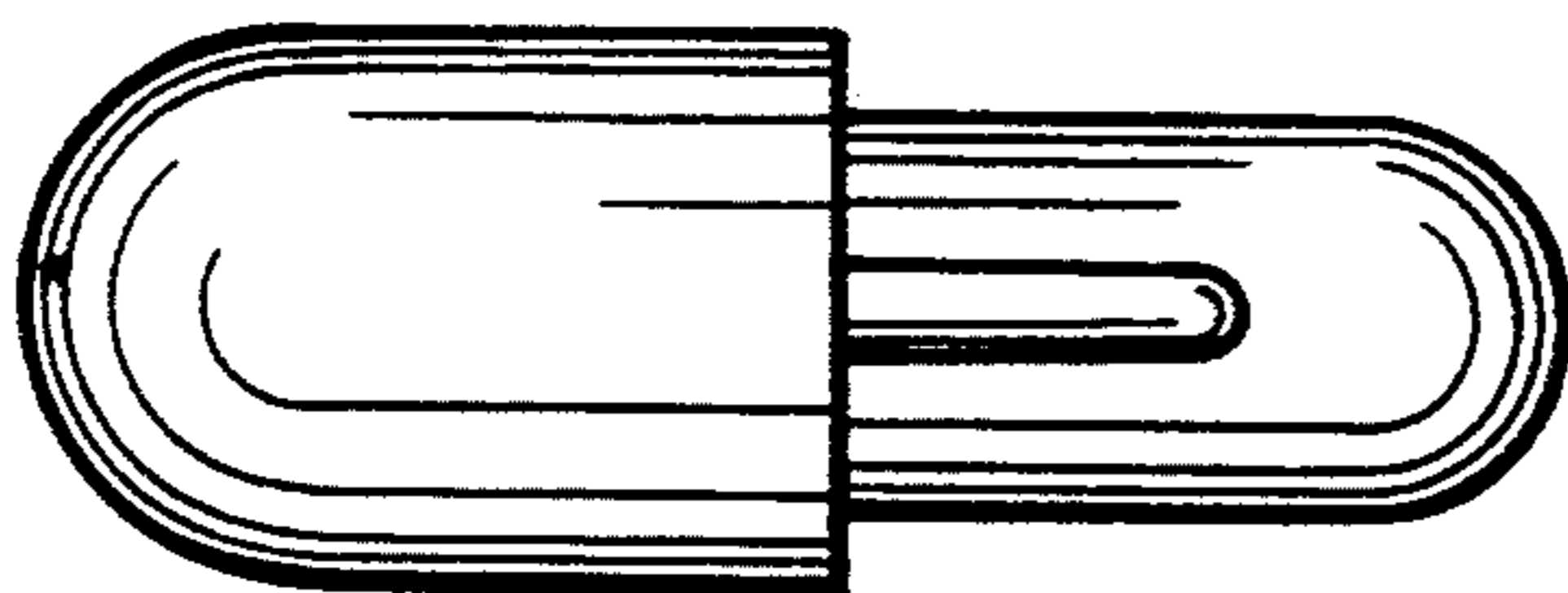


Fig. 2

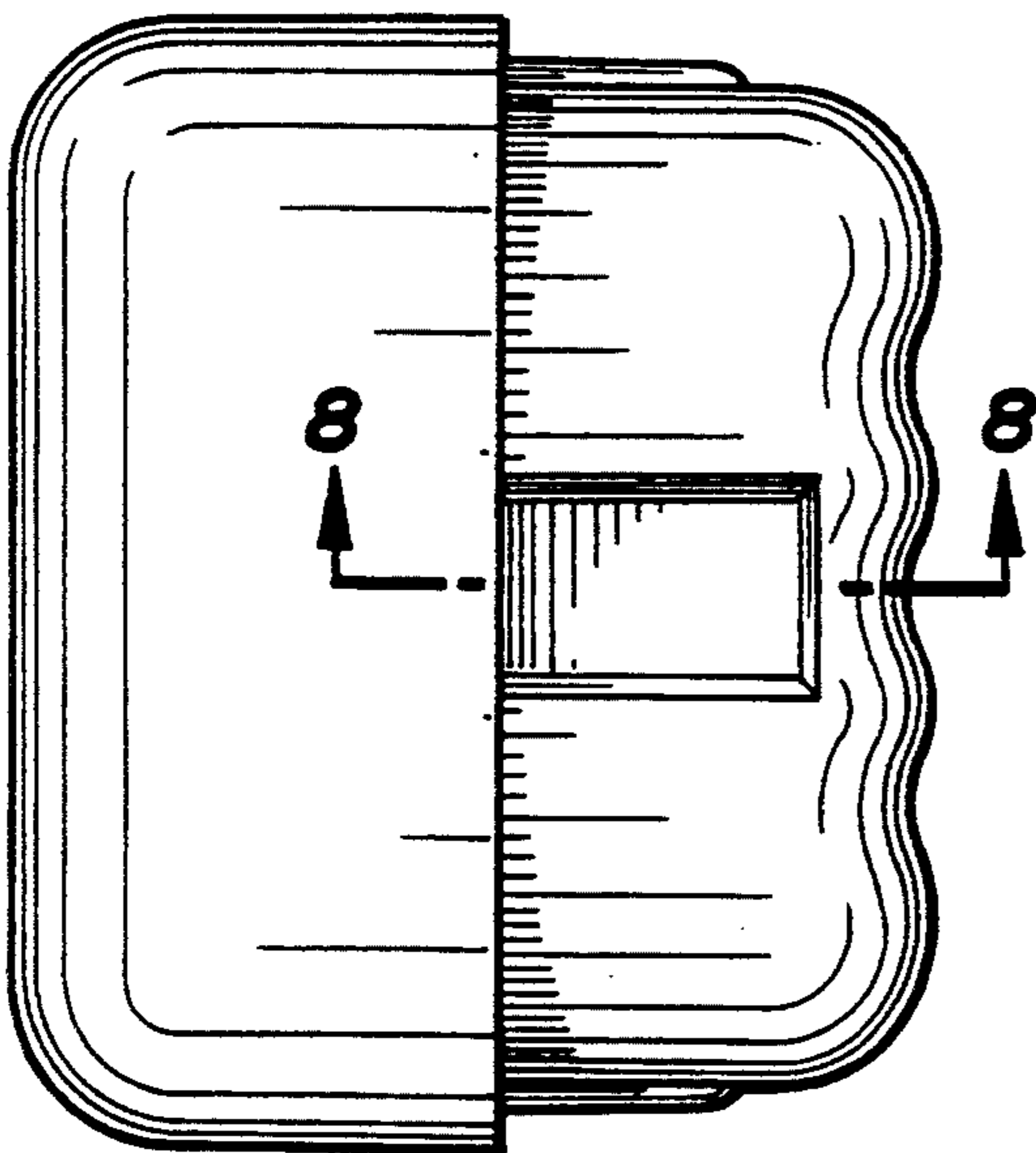


Fig. 3

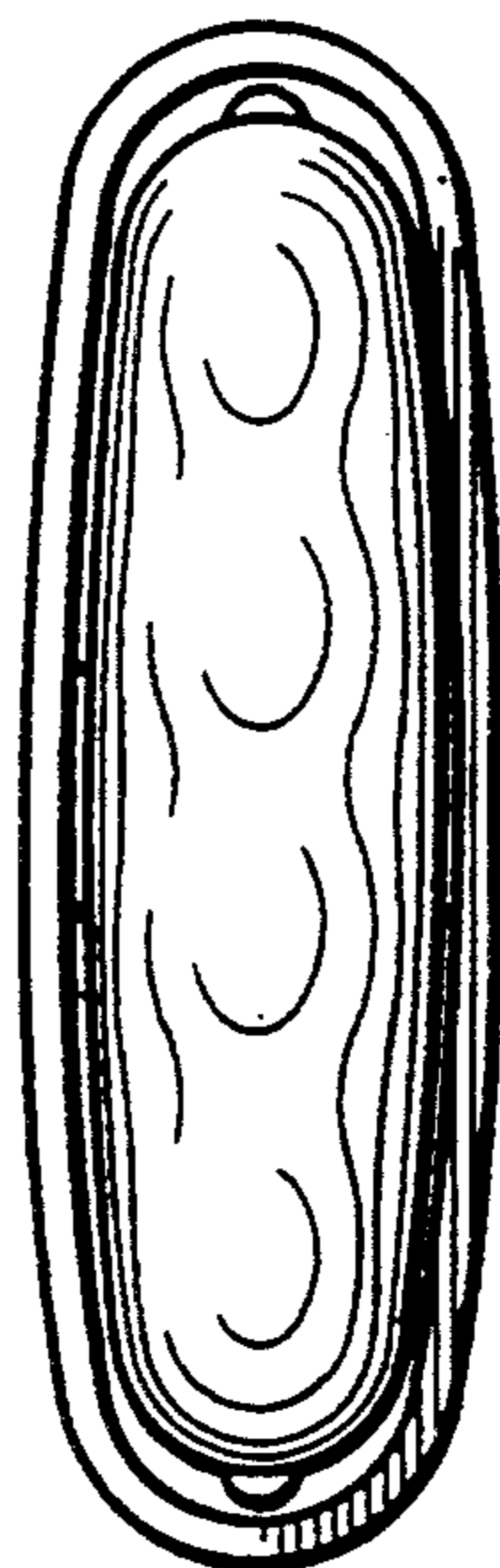


Fig. 4

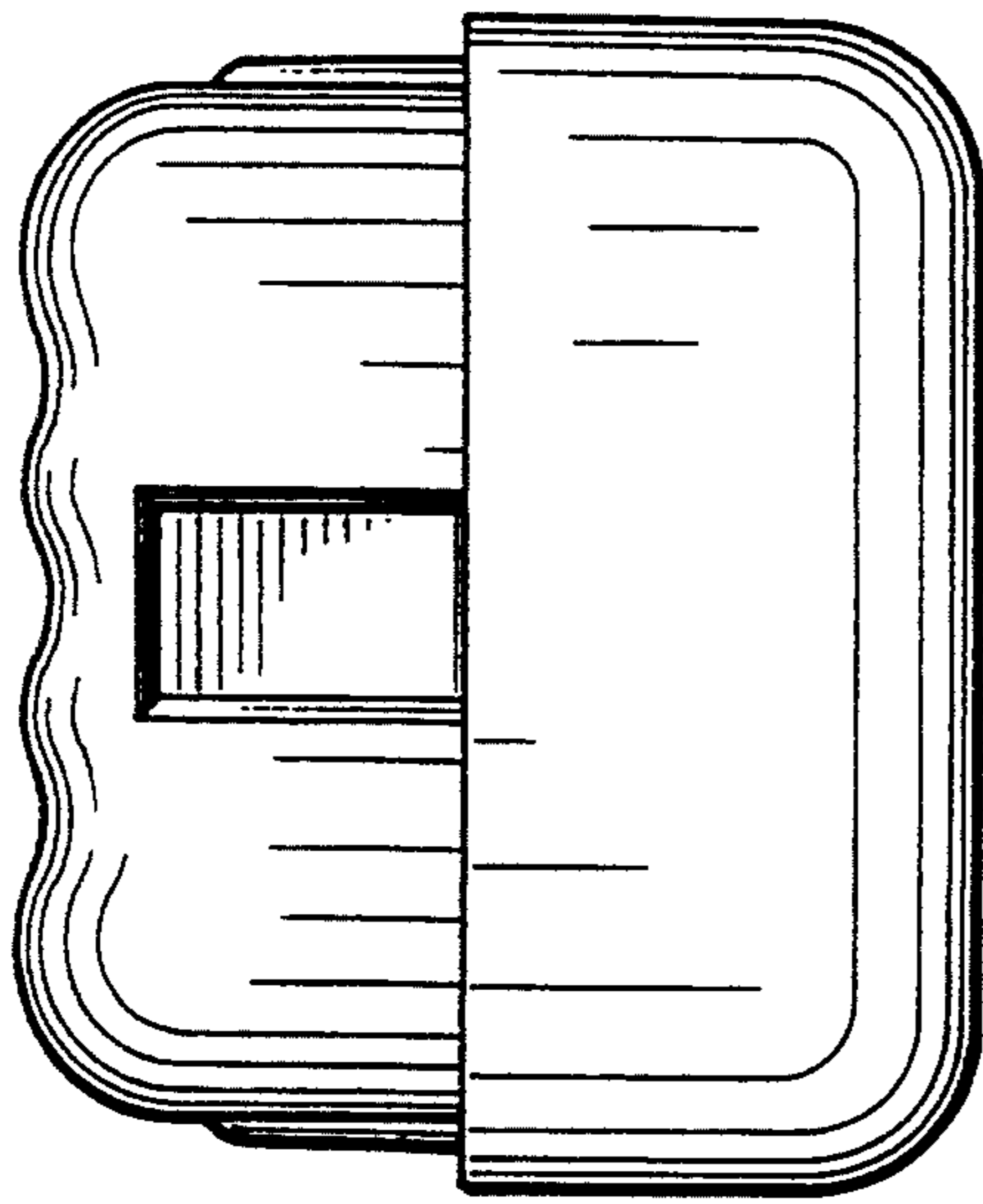


Fig. 5

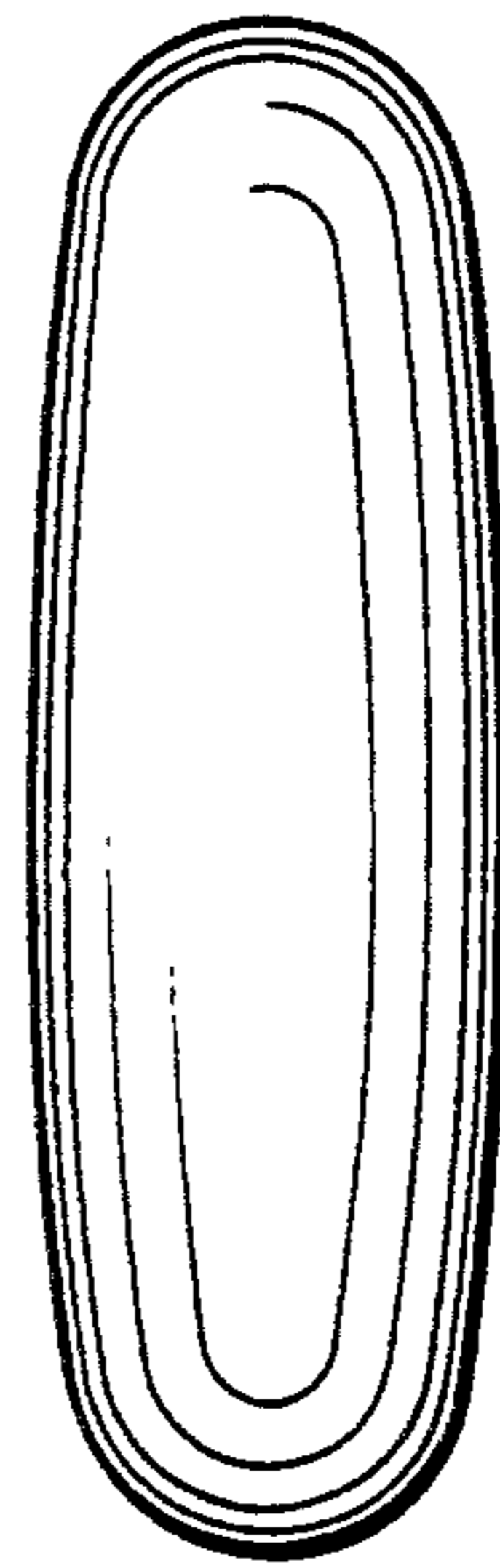


Fig. 6

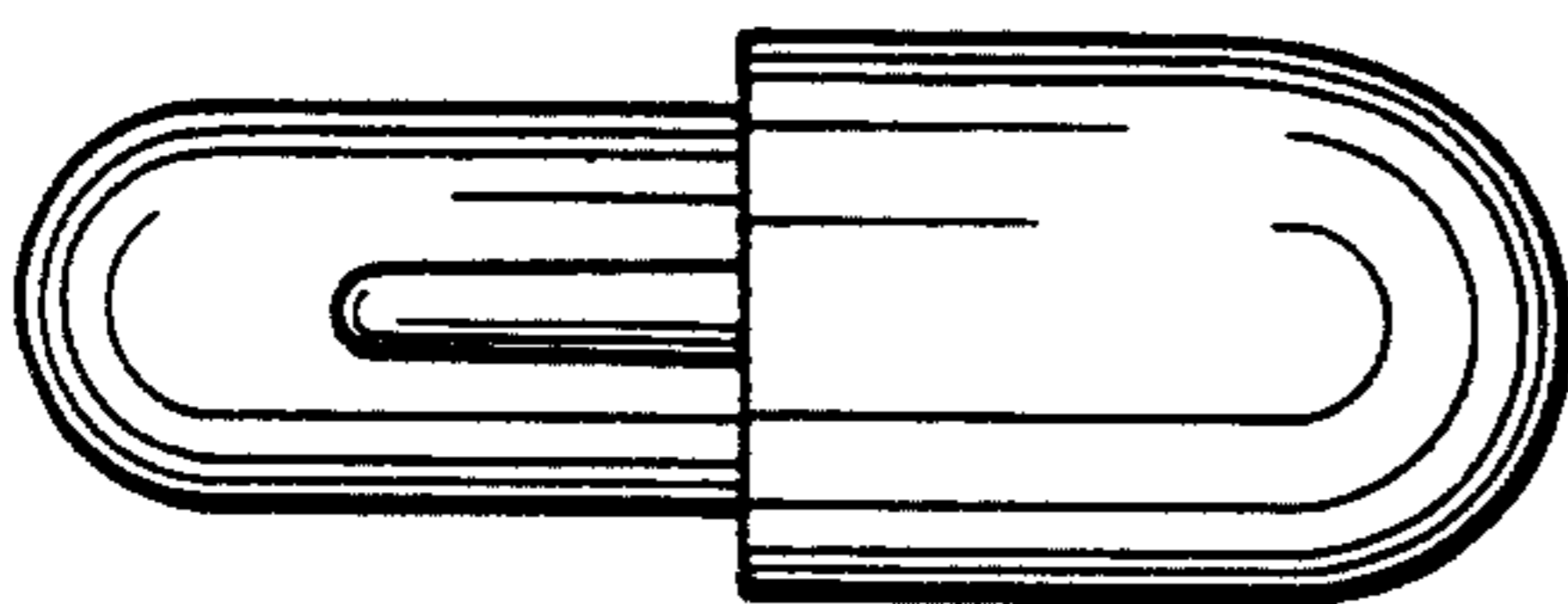


Fig. 7

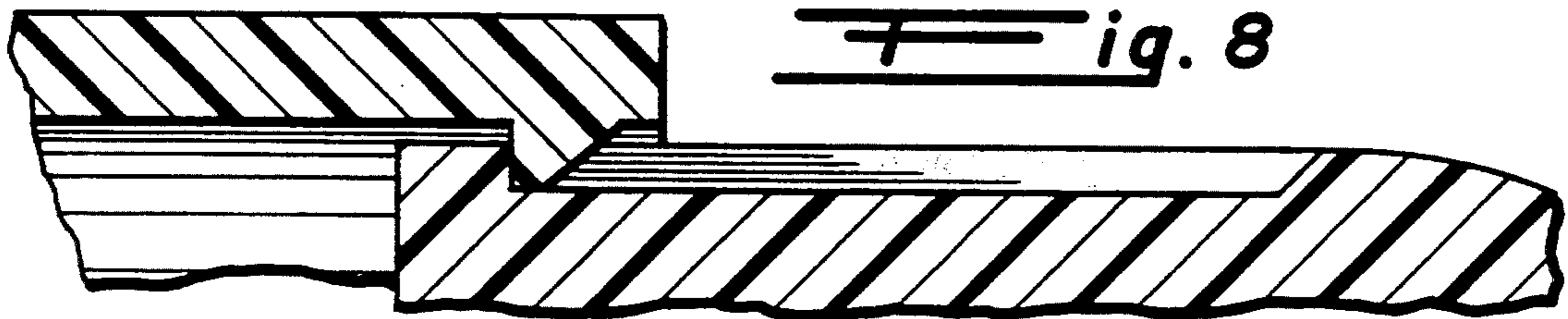


Fig. 8

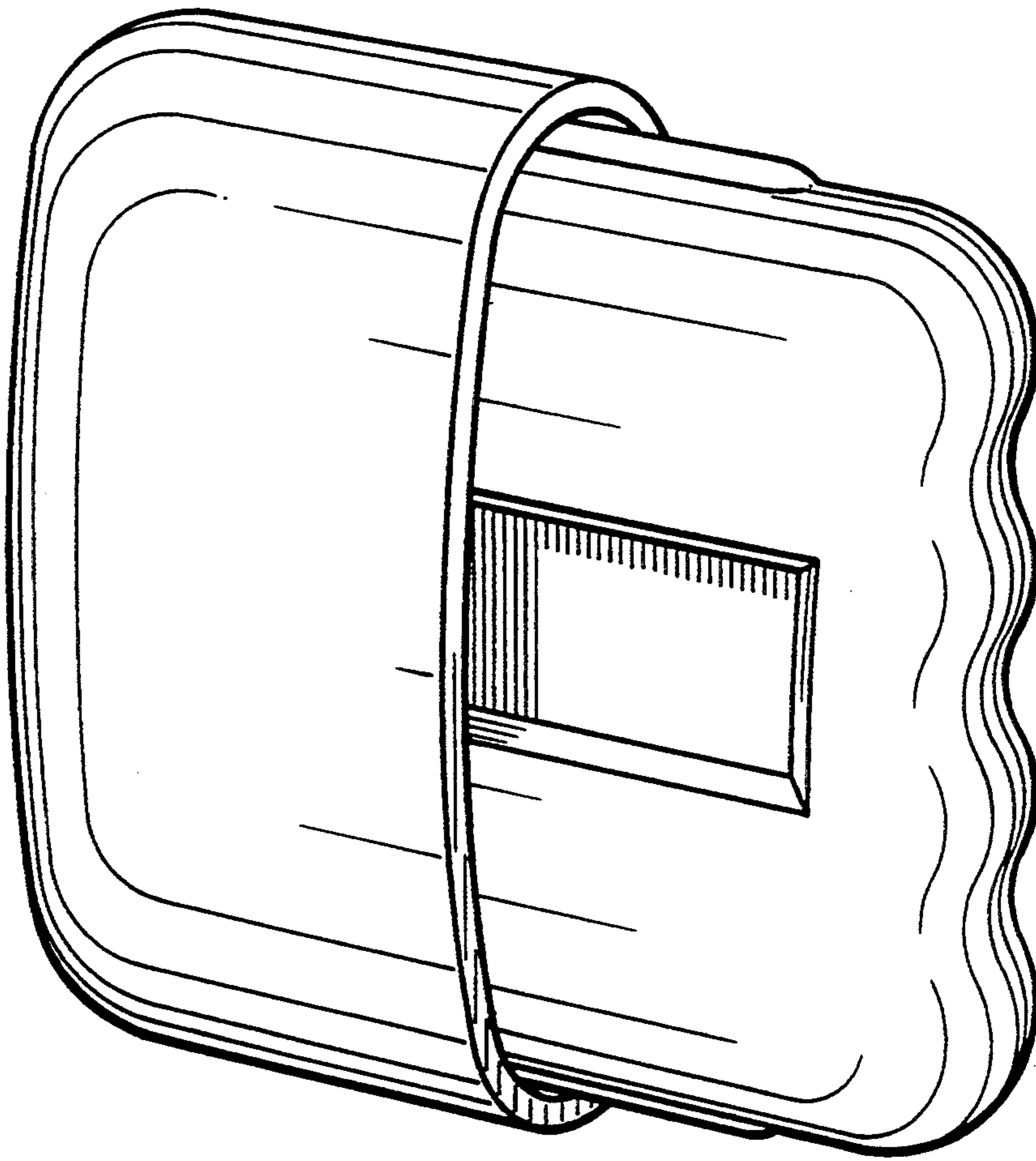


Fig. 9