



US00D359778S

United States Patent [19]

[11] Patent Number: **Des. 359,778**

Towley, III et al.

[45] Date of Patent: **** Jun. 27, 1995**

[54] **ADJUSTABLE DUMBBELL**

[75] Inventors: **Carl K. Towley, III; Gregory S. Olson**, both of Owatonna, Minn.

[73] Assignee: **Intellbell Ventures**, Monterey, Calif.

[**] Term: **14 Years**

[21] Appl. No.: **17,946**

[22] Filed: **Jan. 26, 1994**

4,743,017	5/1988	Jaeger	482/108
4,768,780	9/1988	Hayes	482/106 X
4,822,034	4/1989	Shields	482/106
4,880,229	11/1989	Broussard	482/108
4,900,016	2/1990	Caruthers	482/108
4,913,422	4/1990	Elmore et al.	482/106
4,948,123	8/1990	Schook	482/106
5,040,787	8/1991	Brotman	482/106
5,123,885	6/1992	Shields	482/106

FOREIGN PATENT DOCUMENTS

637365	4/1928	France	482/108
1687271	10/1991	U.S.S.R.	486/107

Related U.S. Application Data

[63] Continuation-in-part of Ser. No. 13,785, Feb. 5, 1993, abandoned.

[52] U.S. Cl. **D21/197**

[58] Field of Search **D21/191, 196, 197, 198; 482/104, 105, 107, 108**

OTHER PUBLICATIONS

“Physical Conditioning Equipment 86/87 Catalog”, Universal Gym Equipment, Inc., pp. 46 and 47.

Primary Examiner—Terry A. Wallace
Assistant Examiner—Philip Hyder
Attorney, Agent, or Firm—John W. Bunch

[56] References Cited

U.S. PATENT DOCUMENTS

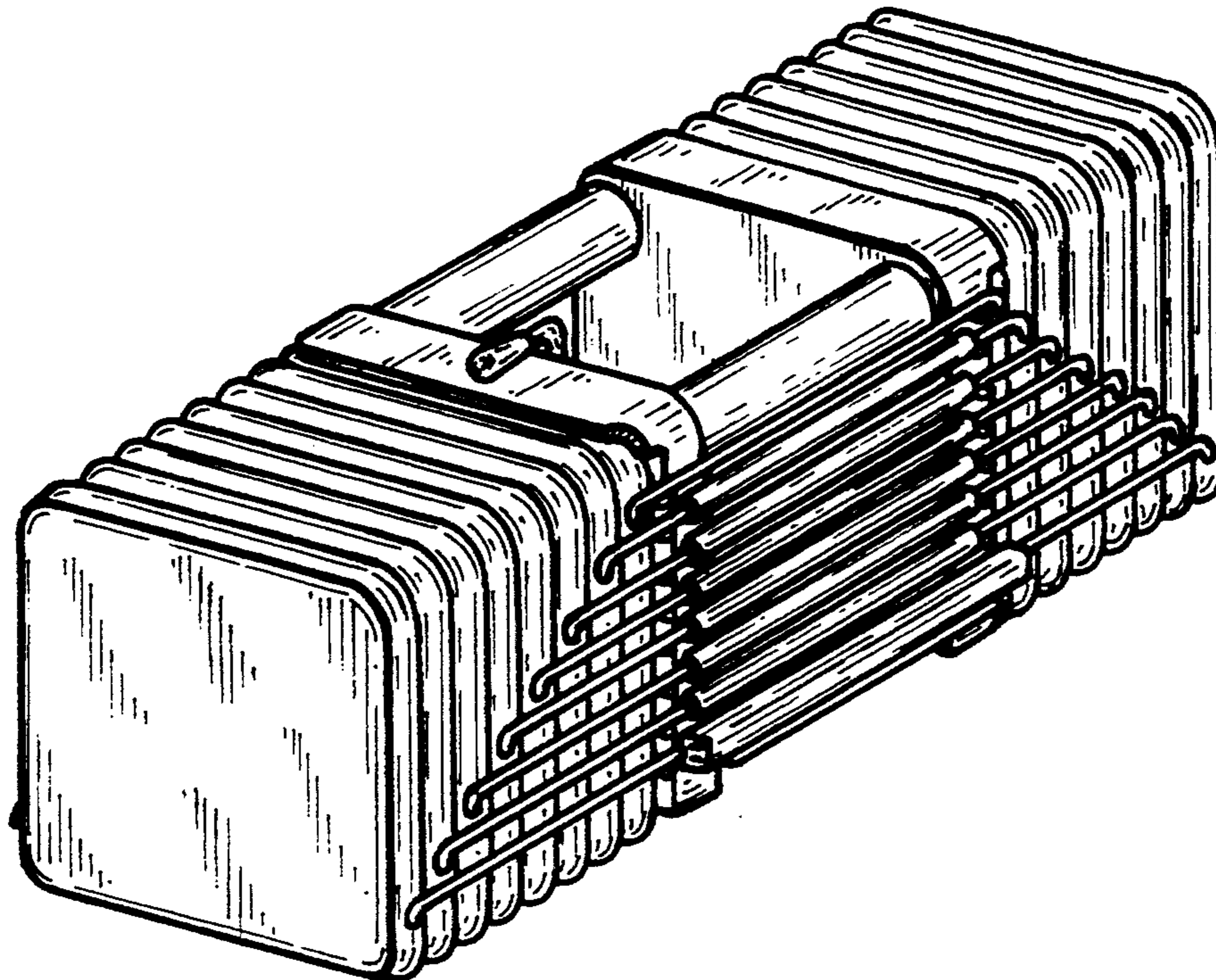
D. 244,628	6/1977	Wright	D21/197
D. 307,168	4/1990	Vodhanel	D21/197
D. 315,003	2/1991	Huang	D21/197
D. 321,230	10/1991	Leonesio	D21/197
1,422,888	7/1922	Reeves et al.	482/108 X
1,672,944	6/1928	Jowett	482/108
3,758,109	9/1973	Bender	482/108
4,029,312	6/1977	Wright	482/108
4,076,236	2/1978	Ionel	482/108
4,529,198	7/1985	Hettick, Jr.	482/107 X
4,566,690	1/1986	Schook	482/108
4,575,074	3/1986	Damratoski	482/93
4,627,618	12/1986	Schwartz	482/108

[57] CLAIM

The ornamental design for an adjustable dumbbell, as shown.

DESCRIPTION

FIG. 1 is a perspective view of an adjustable dumbbell incorporating our new design;
FIG. 2 is a left side elevational view thereof;
FIG. 3 is a right side elevational view thereof;
FIG. 4 is a front end elevational view thereof;
FIG. 5 is a rear end elevational view thereof;
FIG. 6 is a top plan view thereof; and,
FIG. 7 is a bottom plan view thereof.



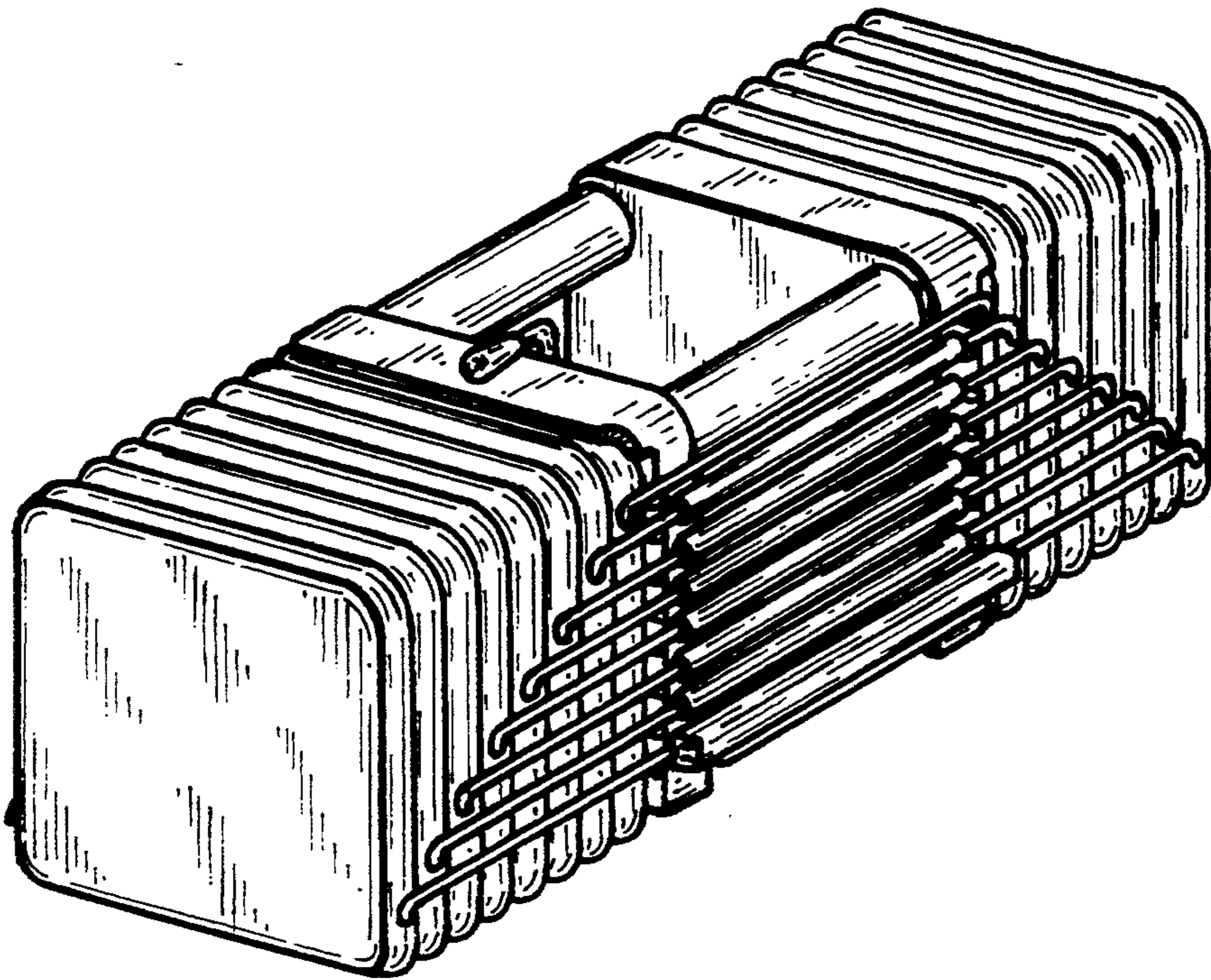


Fig. 1

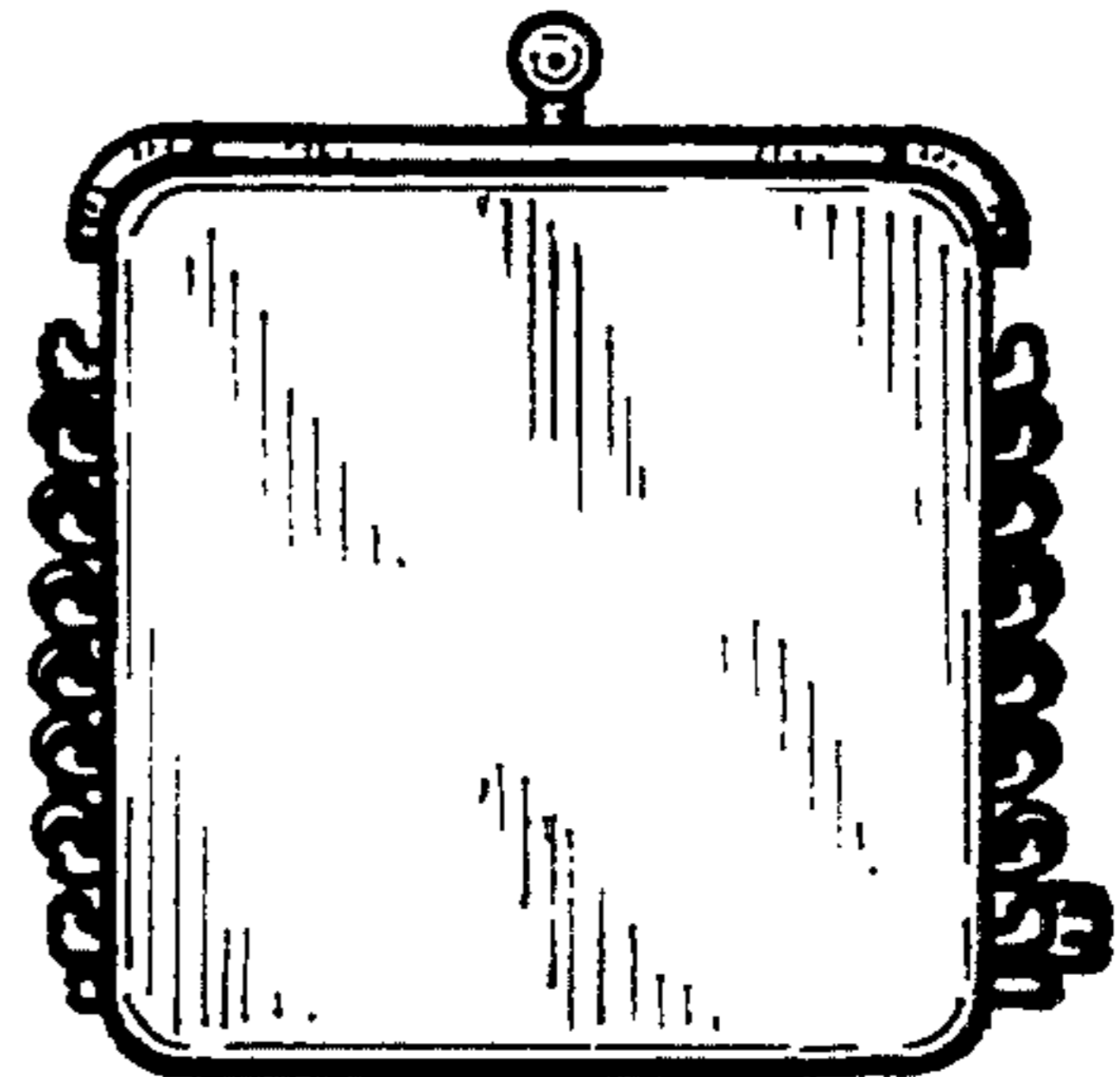


Fig. 4

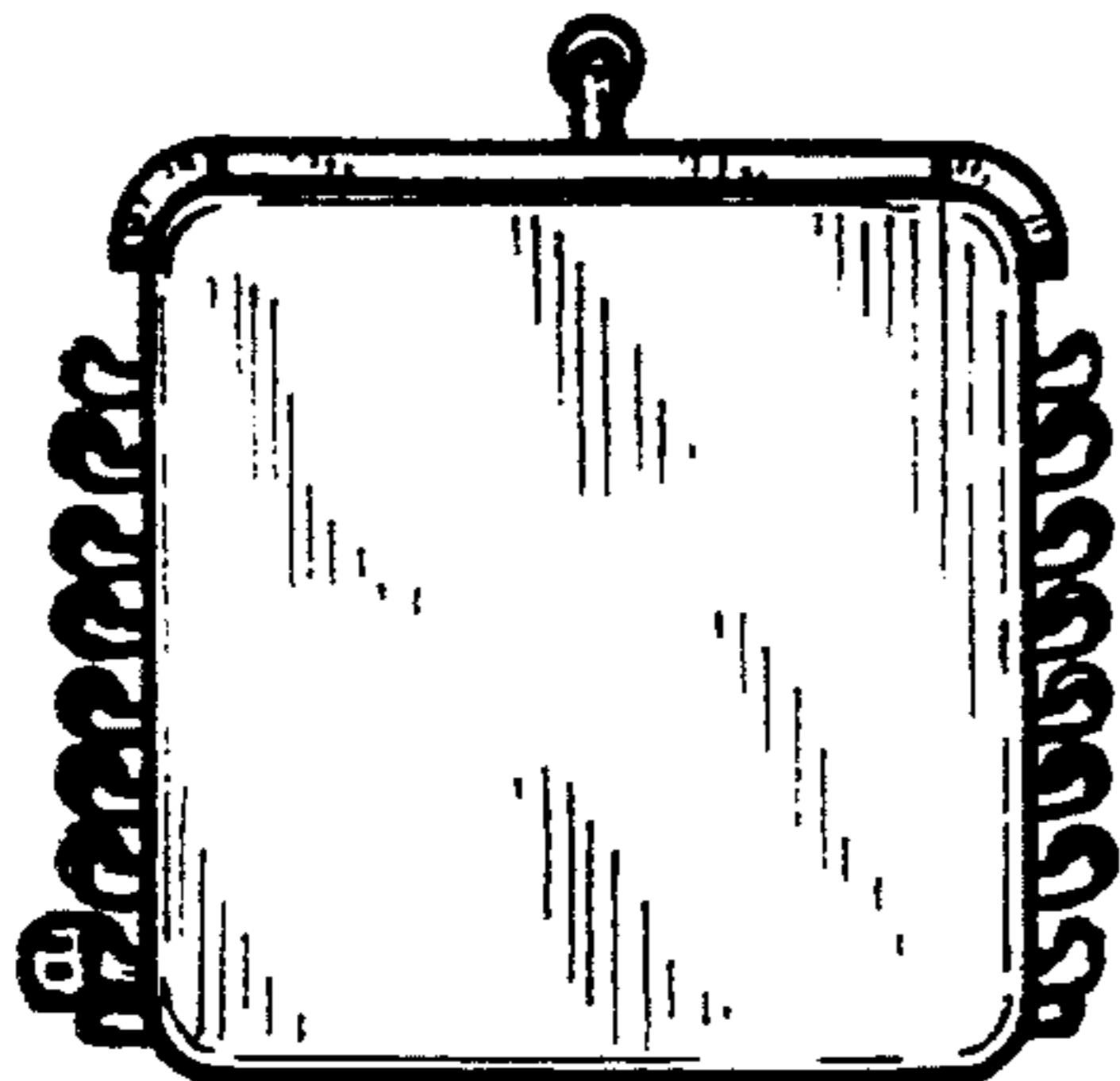


Fig. 5

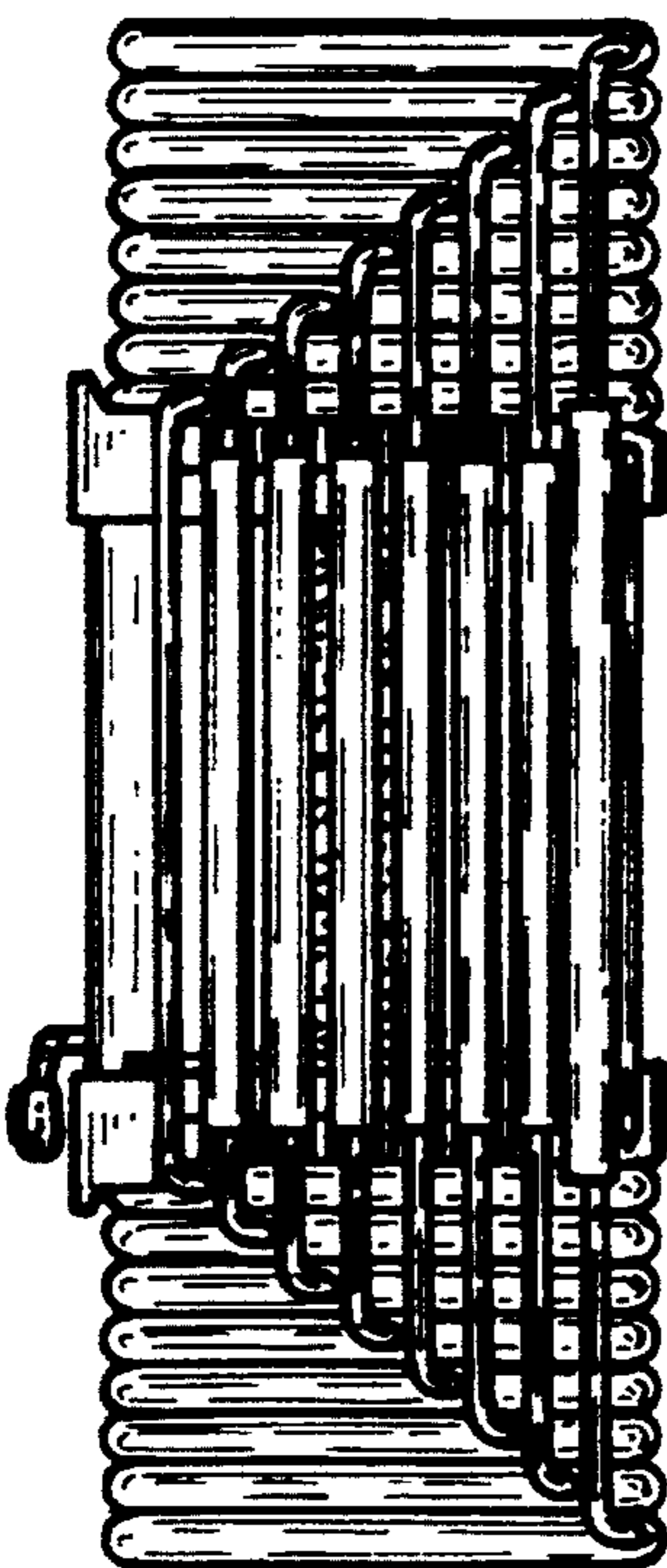


Fig. 2

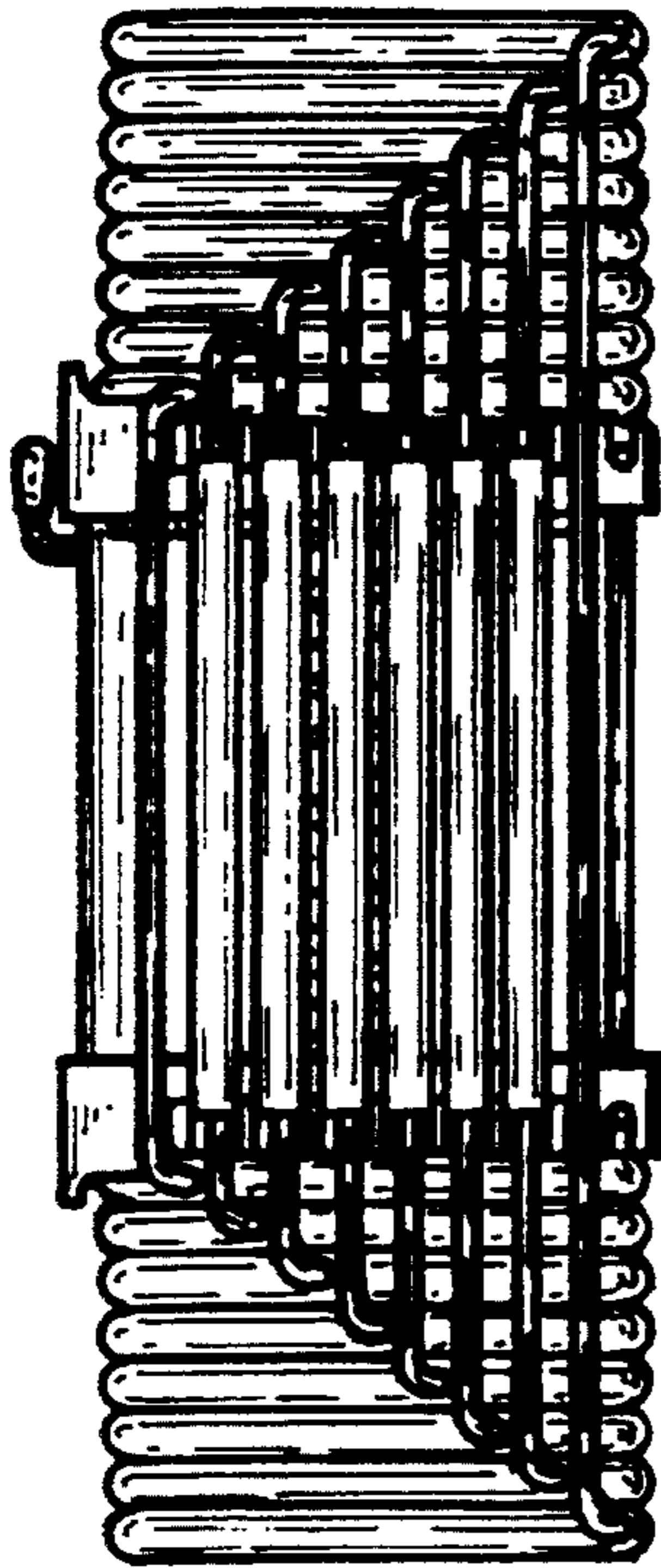


Fig. 3

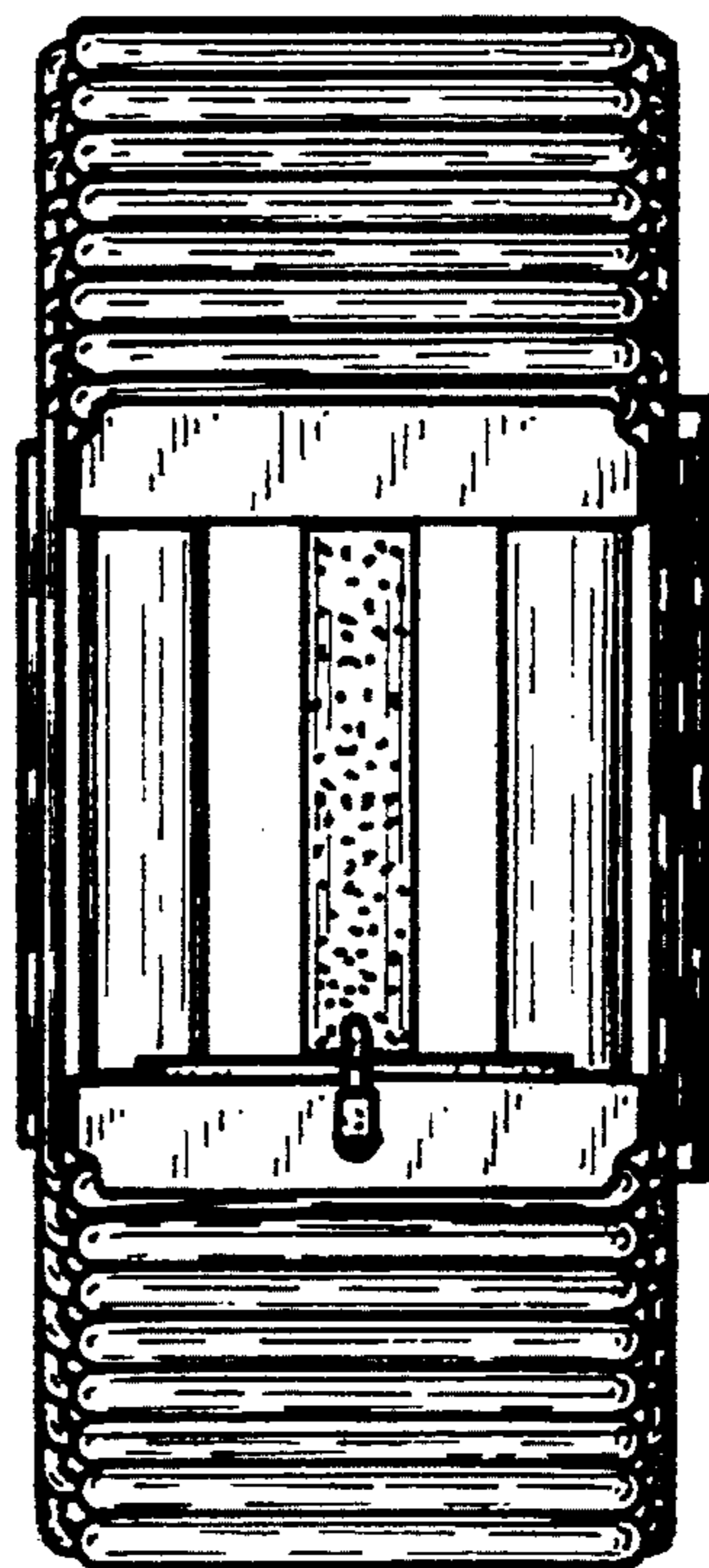


Fig. 6

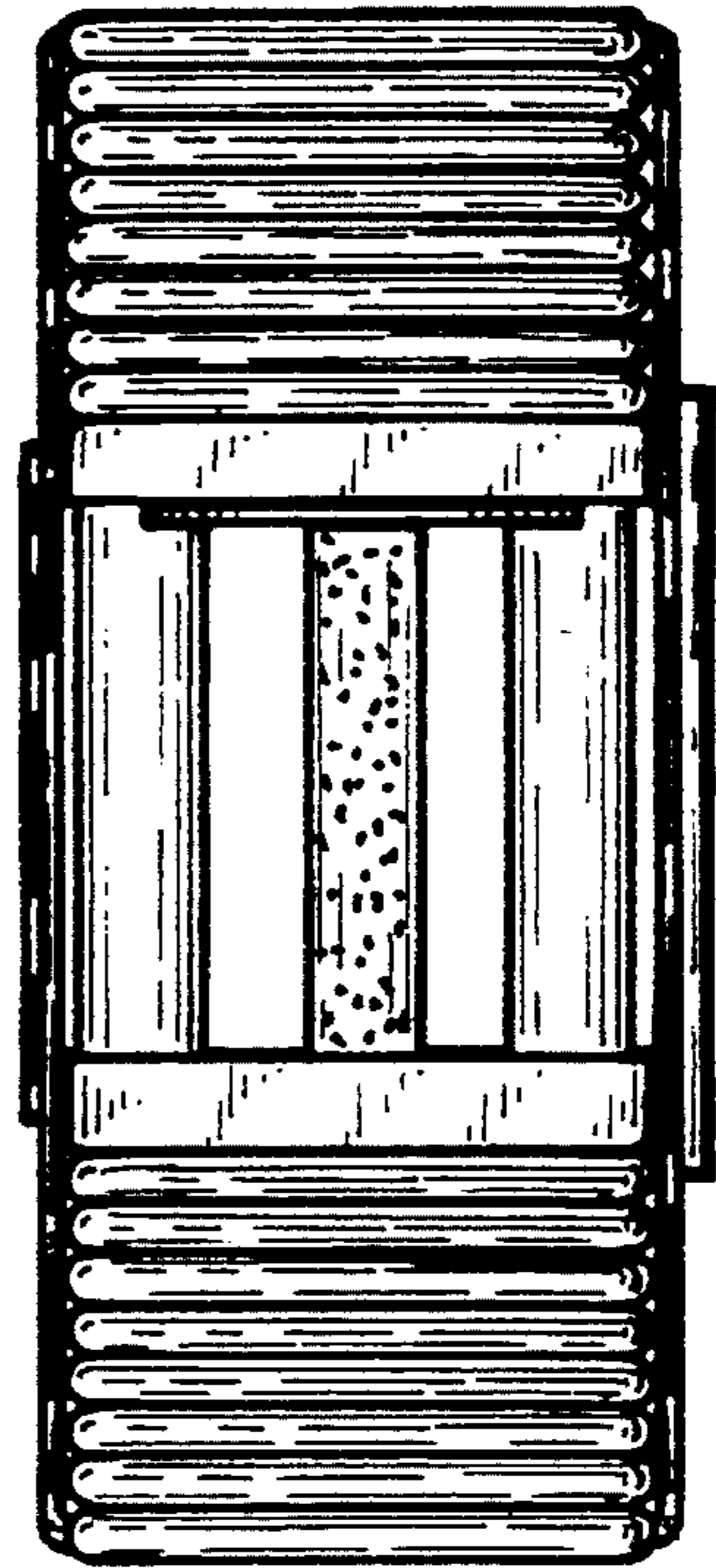


Fig. 7