



US00D35977S

# United States Patent [19]

[11] Patent Number: Des. 359,777

Hildebrandt et al.

[45] Date of Patent: \*\* Jun. 27, 1995

[54] **RECUMBENT TOTAL BODY EXERCISER**

[75] Inventors: **Mark D. Hildebrandt**, Ann Arbor;  
**James S. Phares**, Farmington Hills,  
both of Mich.

[73] Assignee: **LifePlus Incorporated**, Ann Arbor,  
Mich.

[\*\*] Term: **14 Years**

[21] Appl. No.: **20,181**

[22] Filed: **Mar. 21, 1994**

[52] U.S. Cl. .... **D21/191**

[58] Field of Search ..... **D21/191, 194, 195;**  
**482/92, 93, 72, 73, 74, 130, 133, 131, 138, 57**

[56] **References Cited**

**U.S. PATENT DOCUMENTS**

D. 289,539	4/1987	Brentham	.....	D21/195
D. 321,228	10/1991	Van Der Hoeven	.....	D21/195
3,712,613	1/1973	Feather et al.	.....	482/57
4,529,194	7/1985	Haaheim	.	
4,550,908	11/1985	Dixon	.....	482/138
4,645,200	2/1987	Hix	.	
4,684,126	8/1987	Dalebout	.....	482/72
4,842,268	6/1989	Jenkins	.	
4,869,494	9/1989	Lambert, Sr.	.	
4,900,013	2/1990	Rodger, Jr.	.....	482/72

4,936,573	6/1990	Miller	.	
4,949,954	8/1990	Hix	.	
5,104,363	4/1992	Shi	.....	482/72
5,114,391	5/1992	Pitzen	.....	482/72

**OTHER PUBLICATIONS**

Consumer Reports, May 1992, "Stair Climbers" Stepping Up To Stay Fit.

Business Week, Nov. 11, 1991, Fitness-Gym-Dandy Workouts Without Leaving The House.

*Primary Examiner*—Terry A. Wallace

*Assistant Examiner*—Philip Hyder

*Attorney, Agent, or Firm*—Harness, Dickey & Pierce

[57] **CLAIM**

The ornamental design for a recumbent total body exerciser, as shown and described.

**DESCRIPTION**

FIG. 1 is a front, left and top perspective view of the recumbent total body exerciser according to my new design;

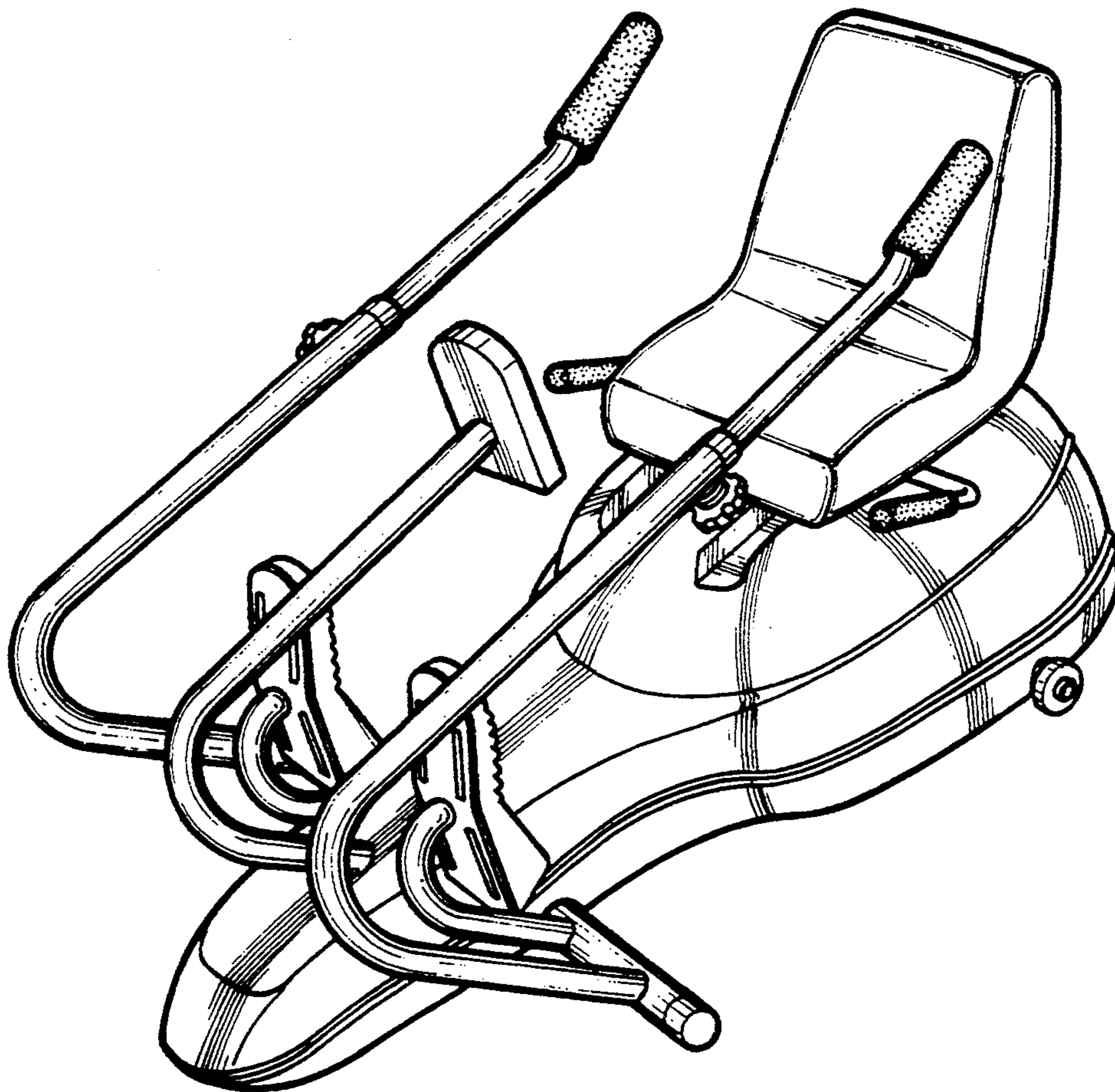
FIG. 2 is a front elevational view thereof;

FIG. 3 is a rear elevational view thereof;

FIG. 4 is a left side elevational view thereof;

FIG. 5 is a top plan view thereof; and,

FIG. 6 is a bottom plan view thereof.



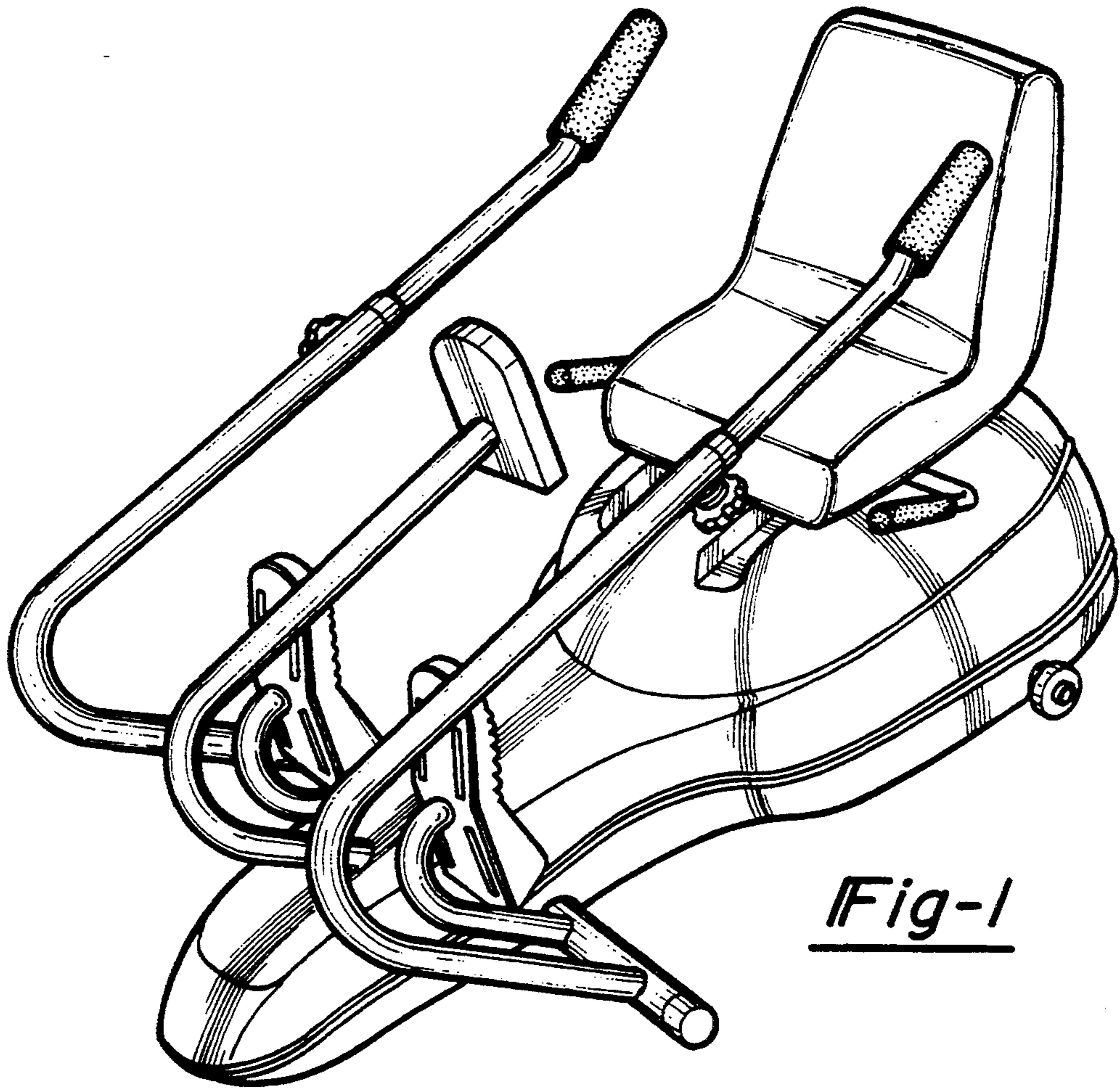


Fig-1

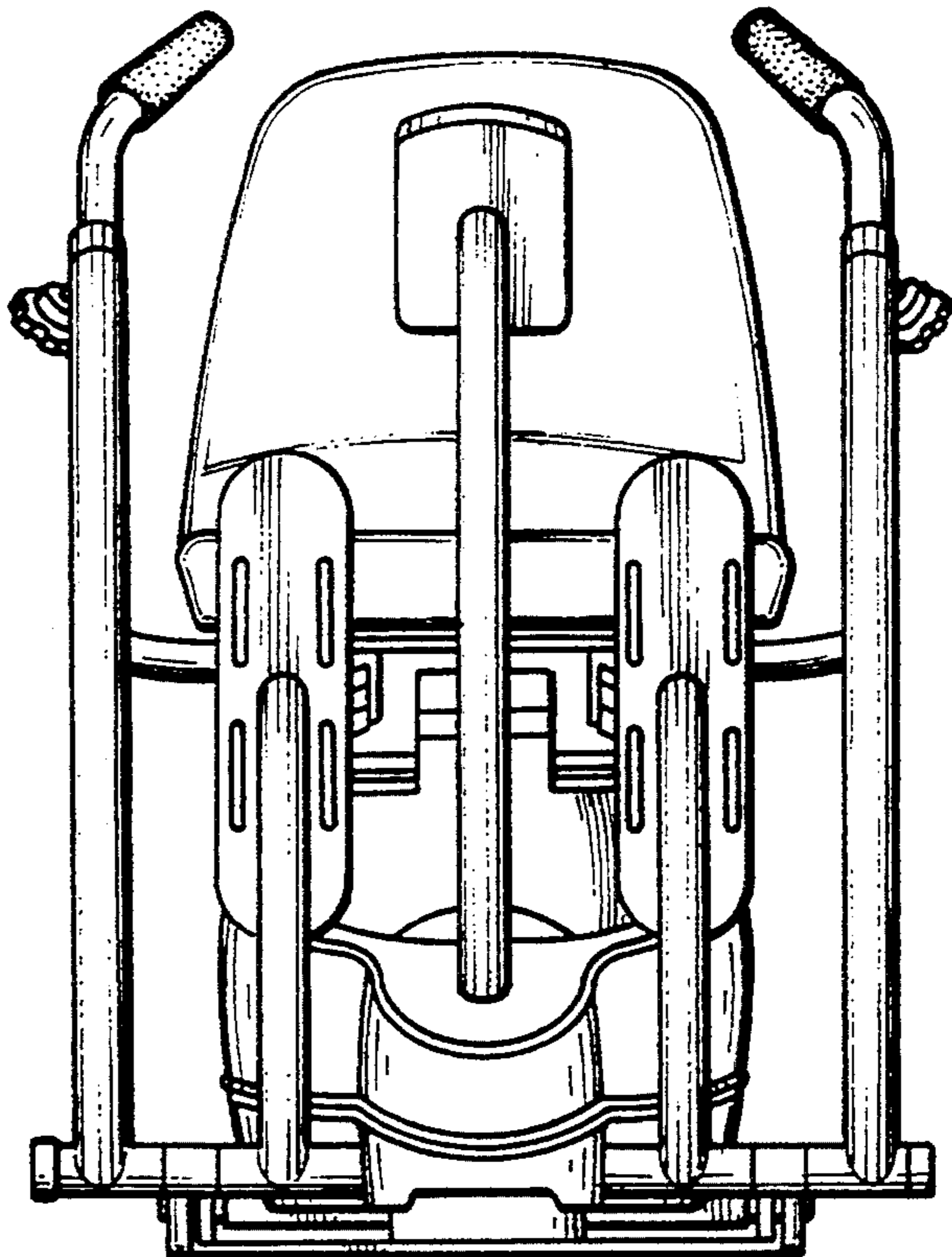


Fig-2

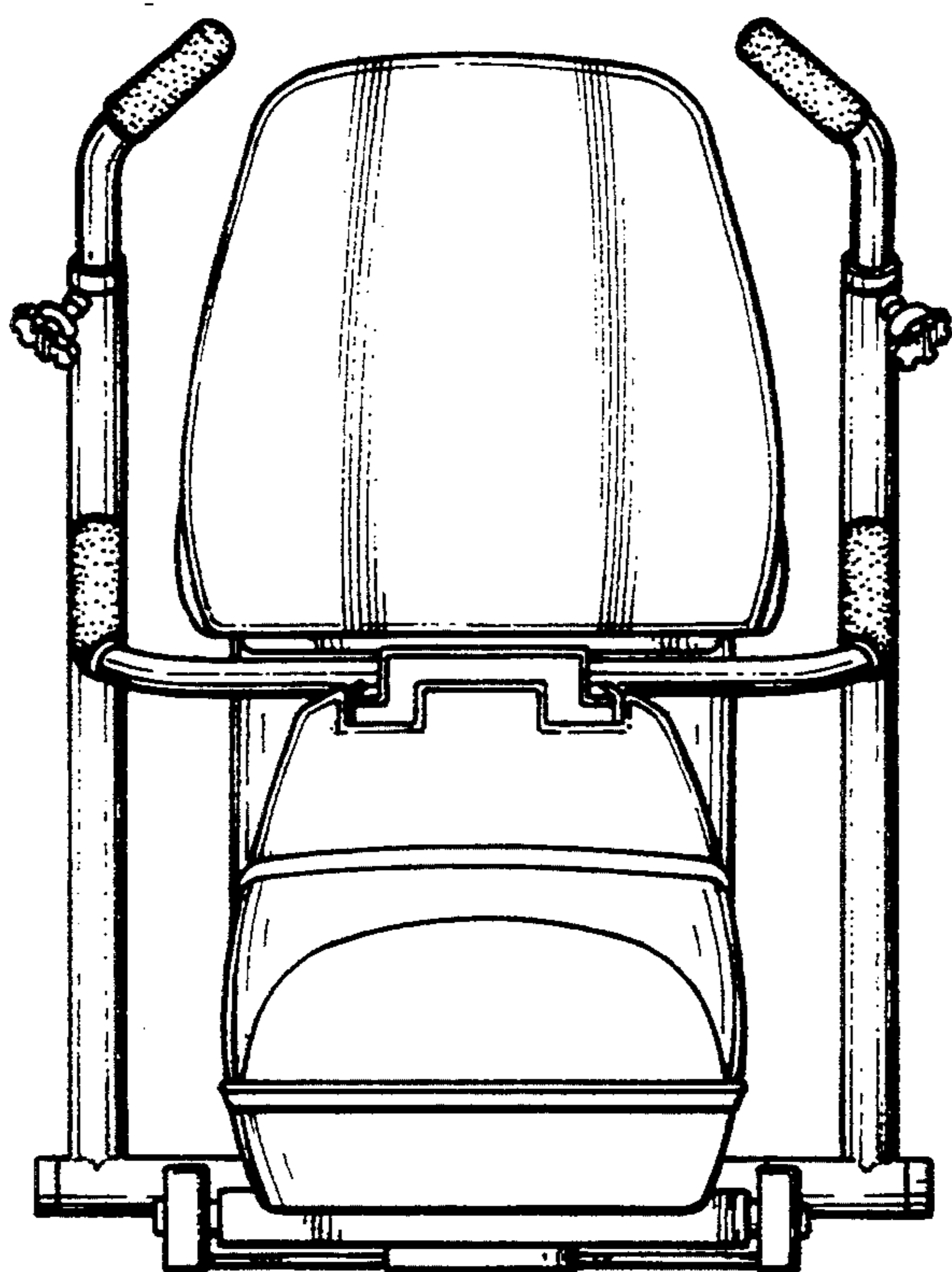


Fig-3

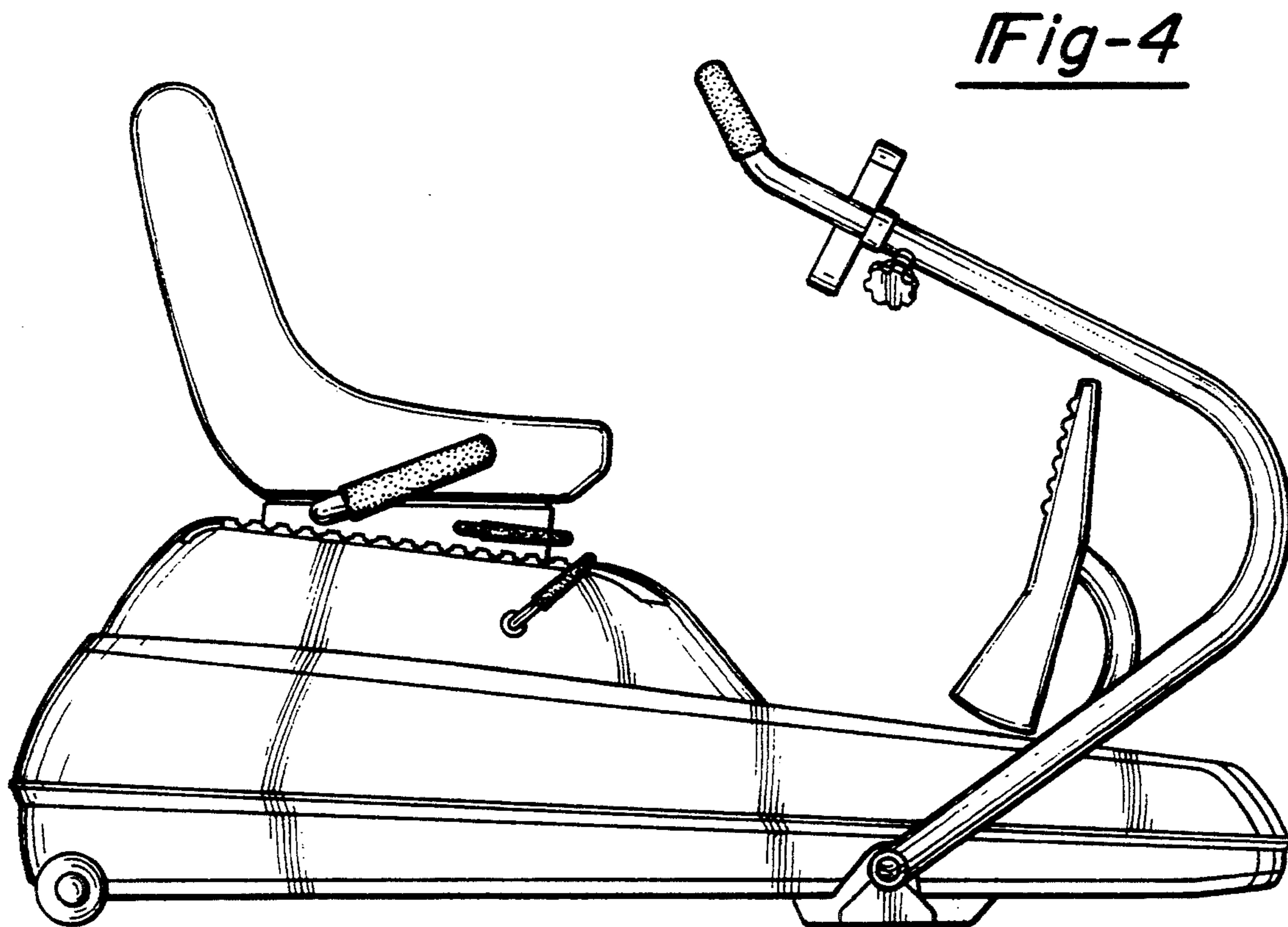


Fig-4

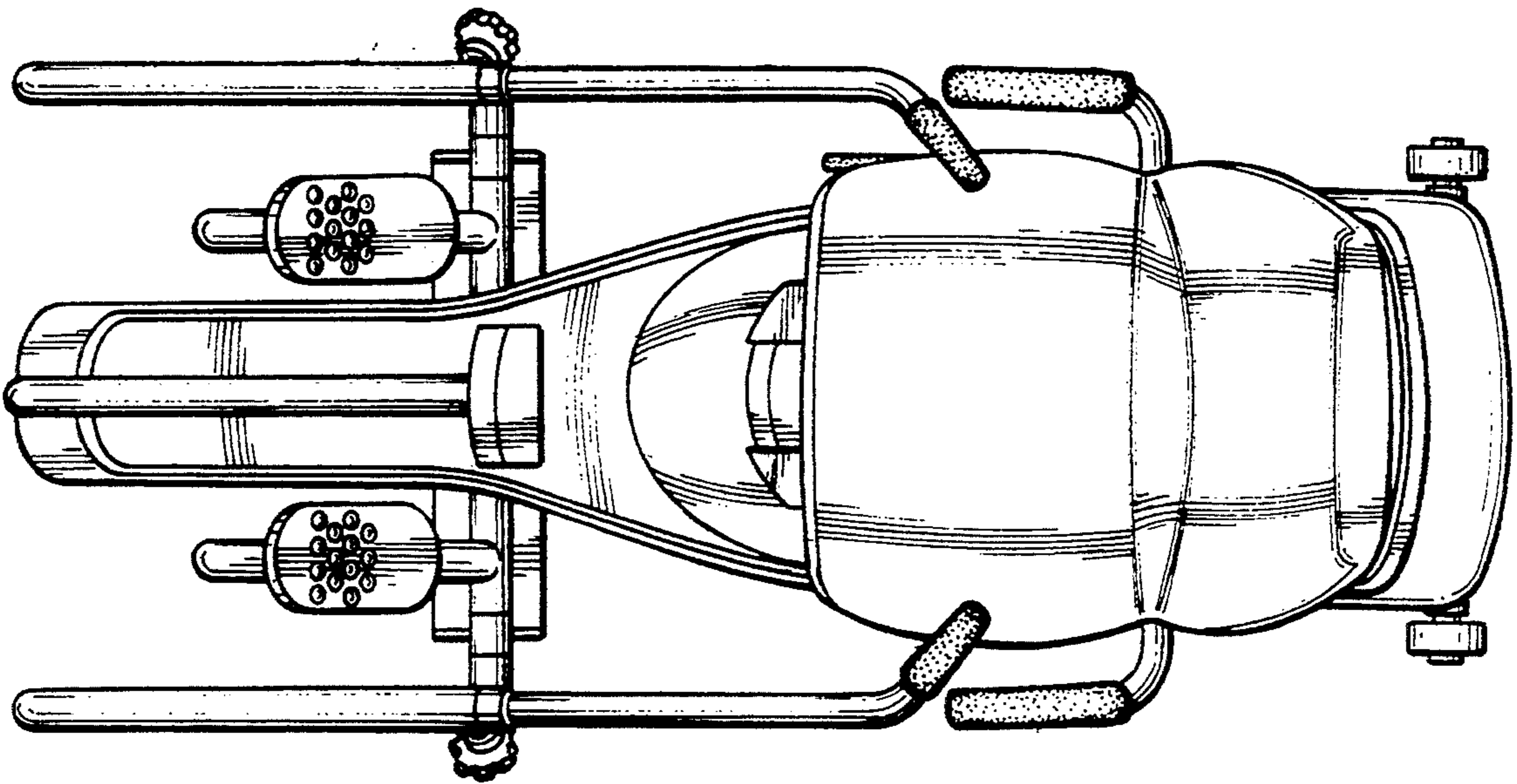


Fig-5

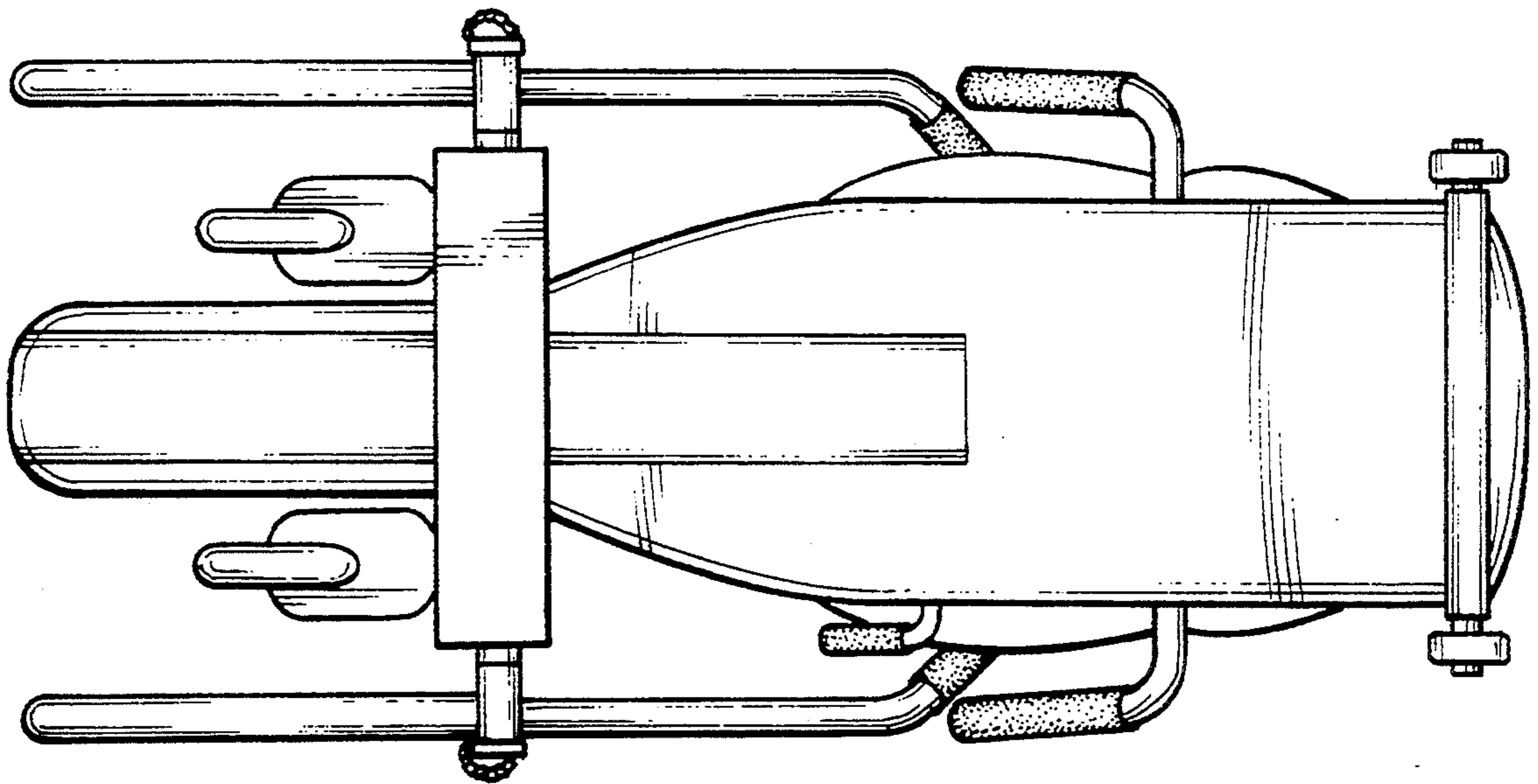


Fig-6