



US00D359773S

United States Patent [19]

[11] Patent Number: **Des. 359,773**

Kino

[45] Date of Patent: **** Jun. 27, 1995**

[54] **TOY SAND WHEEL**

[75] Inventor: **Moriya Kino**, Yokohama, Japan

[73] Assignee: **Royal Co., Ltd.**, Tokyo, Japan

[**] Term: **14 Years**

[21] Appl. No.: **16,920**

[22] Filed: **Dec. 29, 1993**

[52] U.S. Cl. **D21/120**

[58] Field of Search **D21/120, 109, 59; D8/1, D8/61, 21, 17; 446/86, 144, 145, 166, 167, 168**

[56] **References Cited**

U.S. PATENT DOCUMENTS

D. 209,067	10/1967	Tarrson	D21/120
D. 261,540	10/1981	Appel et al.	D21/120
D. 261,541	10/1981	Appel et al.	D21/120
D. 277,300	1/1985	Appel et al.	D21/59
328,398	10/1885	Freeman	446/166
387,497	8/1888	Demarest	446/166
1,203,508	10/1916	Duffield	446/166
1,247,145	11/1917	Petrie	446/166

OTHER PUBLICATIONS

Fisher Price catalog 1992 p. 8 "Windmill" bottom left of page.

Catalogue including "F (Activity Bucket)", issued 1993 by Early Learning Centre.

Catalogue including Product's Nos. 71542, 7157, 7154, 71541, 7177, 7159, 7179, 7155, 7178 and 7156, issued 1989 by Wader.

Catalogue including Product's Nos. 004473, 004466, 004558 and 004572, issued 1989 by Gowl.

Catalogue "Sunny Park" including Product's Nos. 1391 and 1877, issued 1993-1994 by Royal Co., Ltd.

Primary Examiner—Terry A. Wallace

Assistant Examiner—R. Barkai

Attorney, Agent, or Firm—Ostrolenk, Faber, Gerb & Soffen

[57] **CLAIM**

The ornamental design for a toy sand wheel, as shown and described.

DESCRIPTION

FIG. 1 is a front elevational view of a toy sand wheel showing an embodiment of my new design and is also a mirror image of rear elevational view thereof;

FIG. 2 is a left side elevational view thereof and is also a mirror image of right side elevational view thereof;

FIG. 3 is a top plan view thereof; and,

FIG. 4 is a bottom plan view thereof.

The broken line showing of the bucket and sand toys in FIG. 1 is for illustrative purposes only and forms no part of the claimed design.

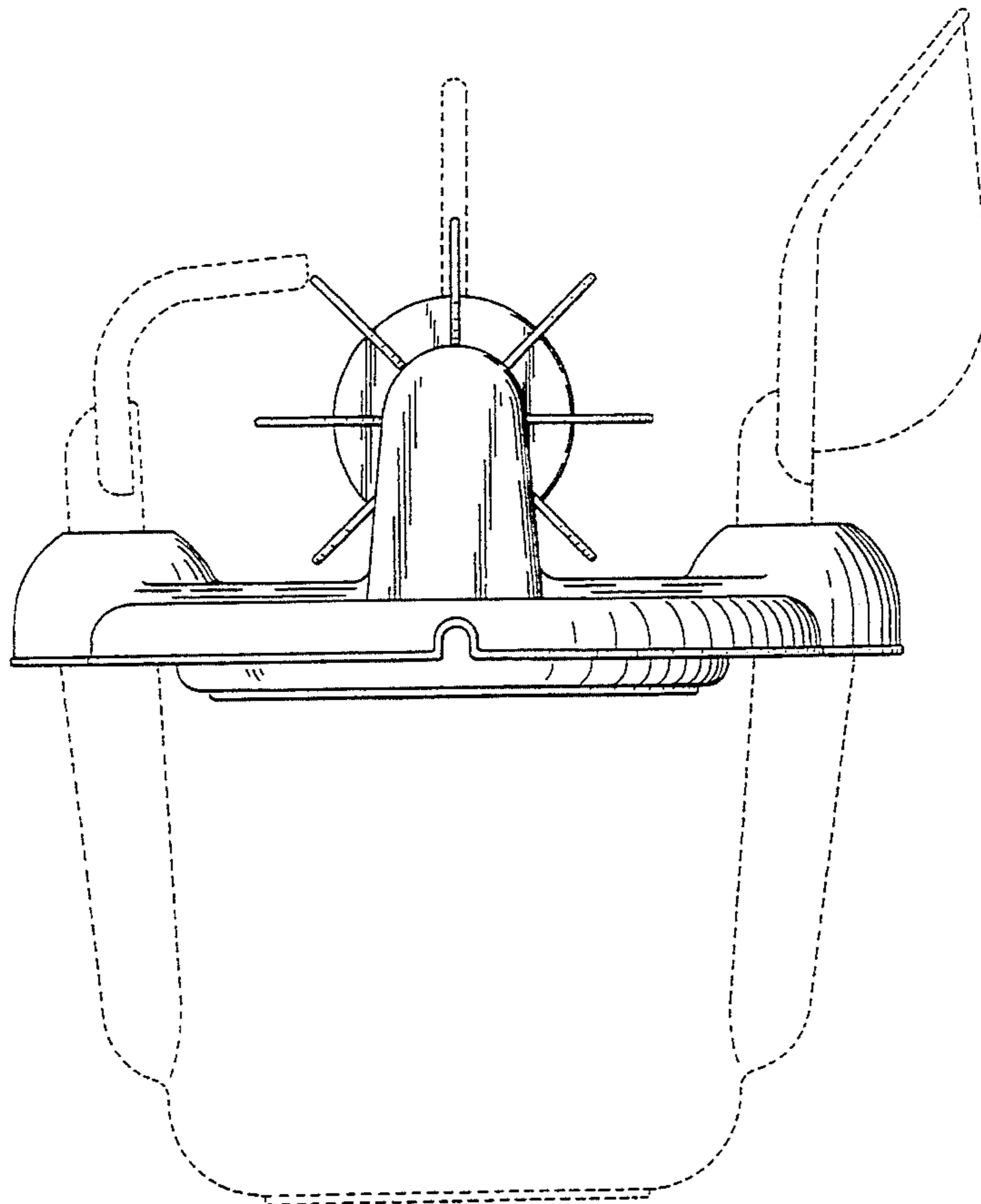


Fig. 1

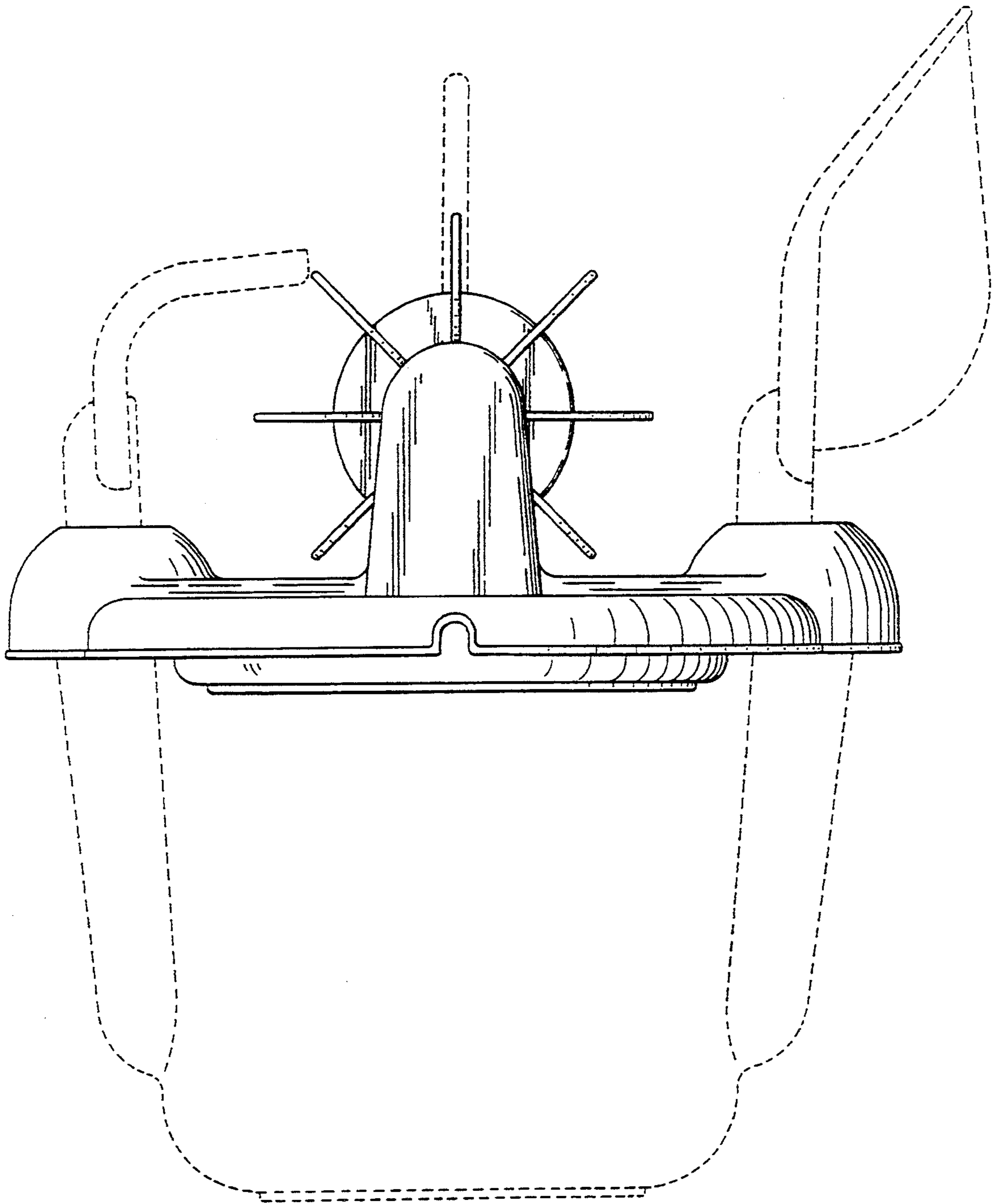


Fig. 2

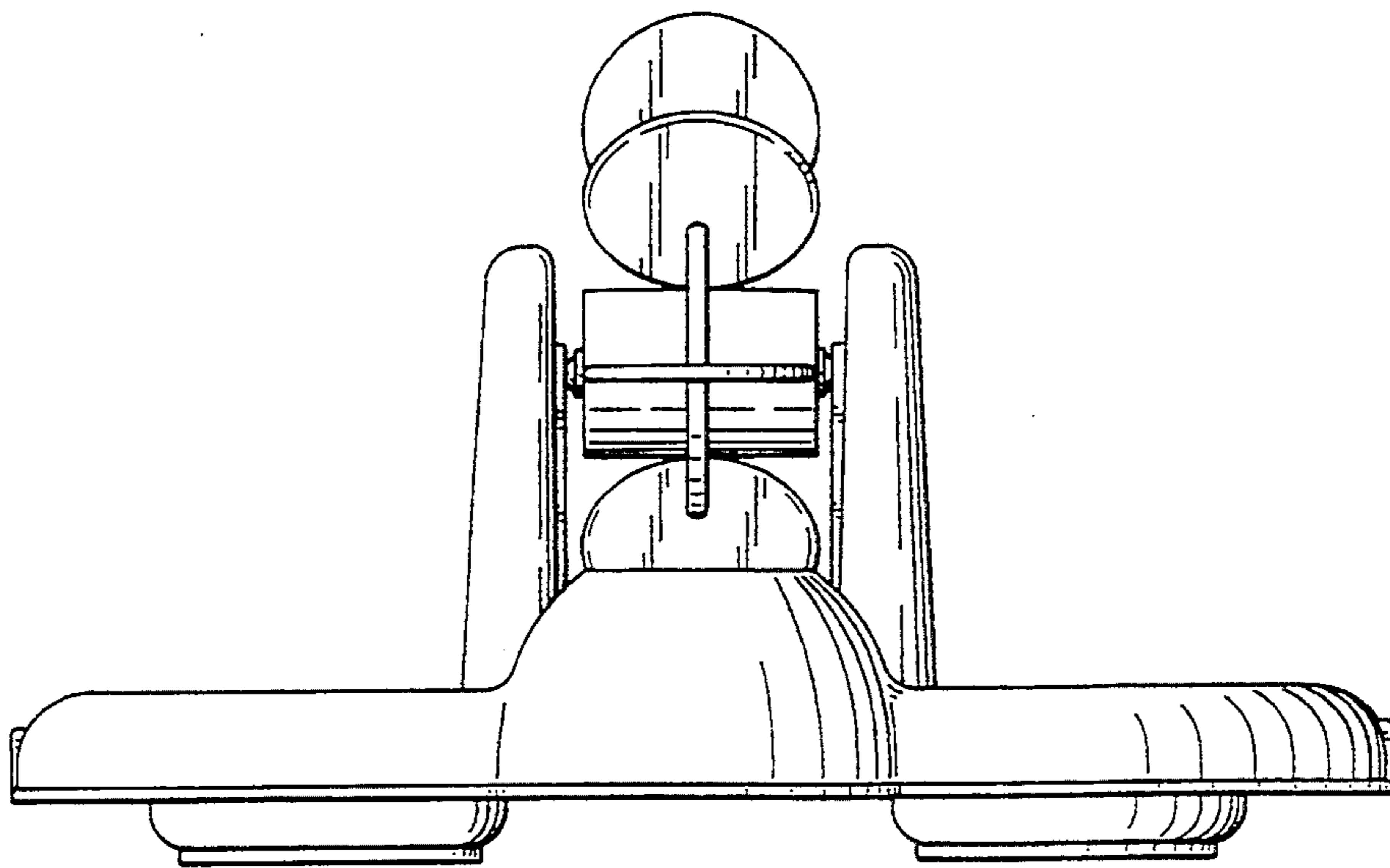


Fig. 3

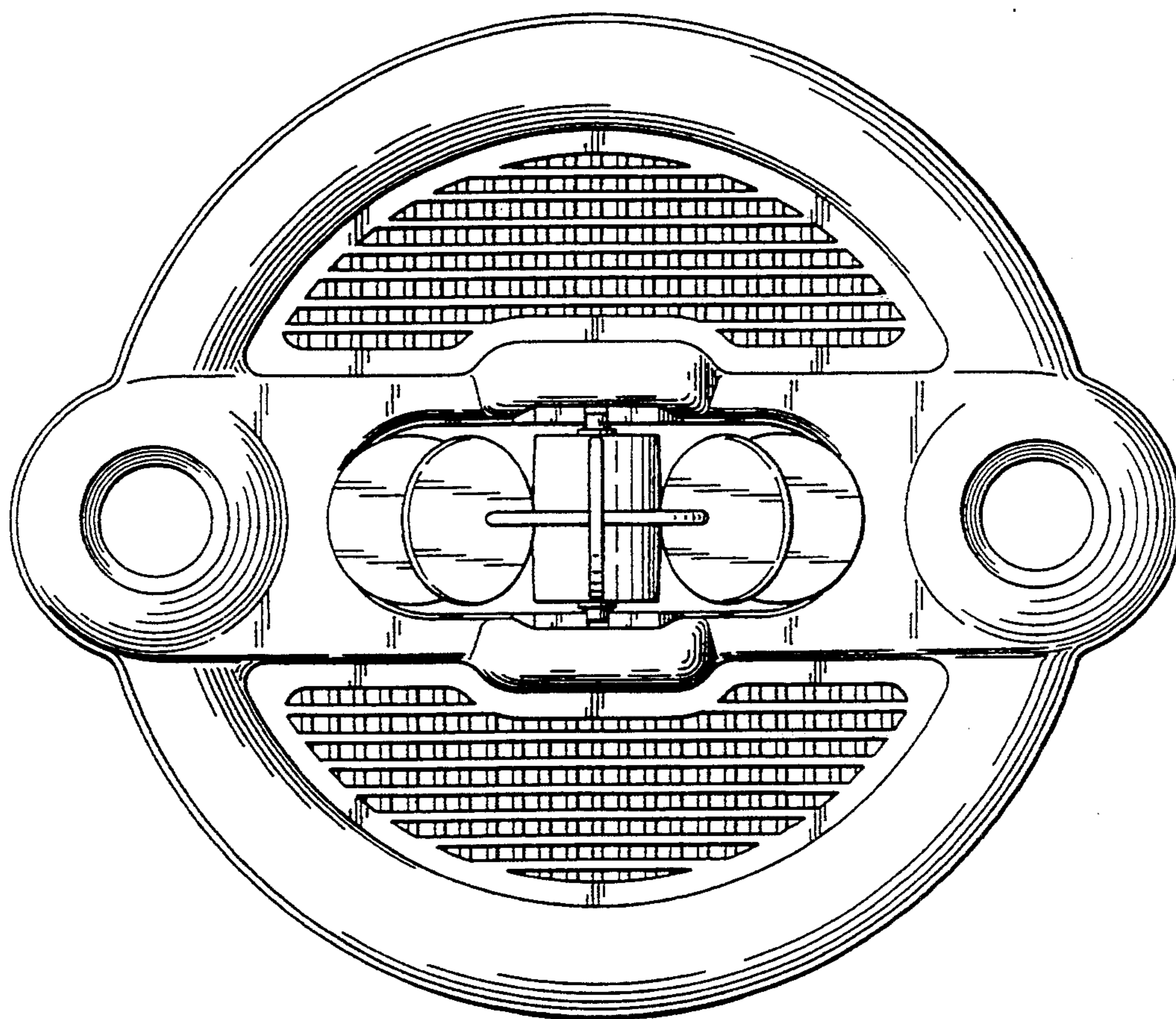


Fig. 4

