



US00D359771S

United States Patent [19]

[11] Patent Number: Des. 359,771

Voldmester

[45] Date of Patent: ** Jun. 27, 1995

[54] TOY BUILDING ELEMENT

[75] Inventor: Mette Voldmester, Vejle, Denmark

[73] Assignee: Interlego AG, Baar, Switzerland

[**] Term: 14 Years

[21] Appl. No.: 29,101

[22] Filed: Sep. 29, 1994

[52] U.S. Cl. D21/108; D21/162

[58] Field of Search D21/59, 108, 161, 162,
D21/165, 190; 446/93, 95, 97, 100, 121, 125,
128

[56] References Cited

U.S. PATENT DOCUMENTS

D. 236,298	8/1975	Baca	D21/162
D. 305,254	12/1989	Bateman et al.	D21/162
1,761,879	6/1930	Dichter	446/97
2,475,306	7/1949	Beder	446/97
2,996,832	8/1961	Rubin	D21/108
4,361,980	12/1982	Chatani	446/121

OTHER PUBLICATIONS

Fisher Price Catalog, 1984, p. 10, Elephant, lower right of page.

Primary Examiner—Theodore M. Shooman

Assistant Examiner—R. Barkai

Attorney, Agent, or Firm—Kane, Dalsimer, Sullivan, Kurucz, Levy, Eisele and Richard

[57] CLAIM

The ornamental design for a toy building element, as shown and described.

DESCRIPTION

FIG. 1 is a top perspective view of the toy building element showing my new design;

FIG. 2 is a bottom perspective view thereof;

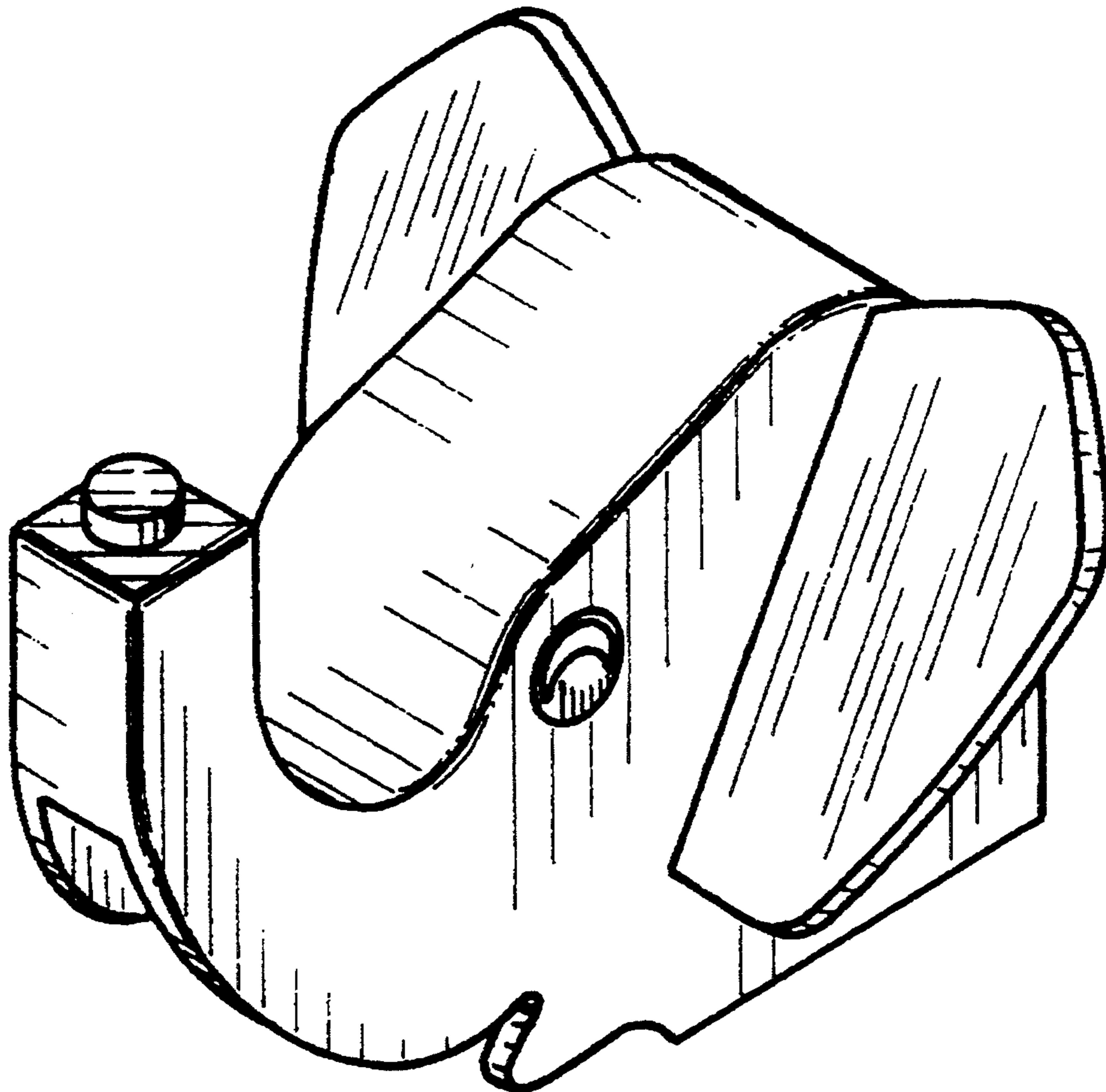
FIG. 3 is a front elevational view thereof;

FIG. 4 is a left side elevational view thereof, the right side being identical;

FIG. 5 is a rear side elevational view thereof;

FIG. 6 is a bottom plan view thereof; and,

FIG. 7 is a top plan view thereof.



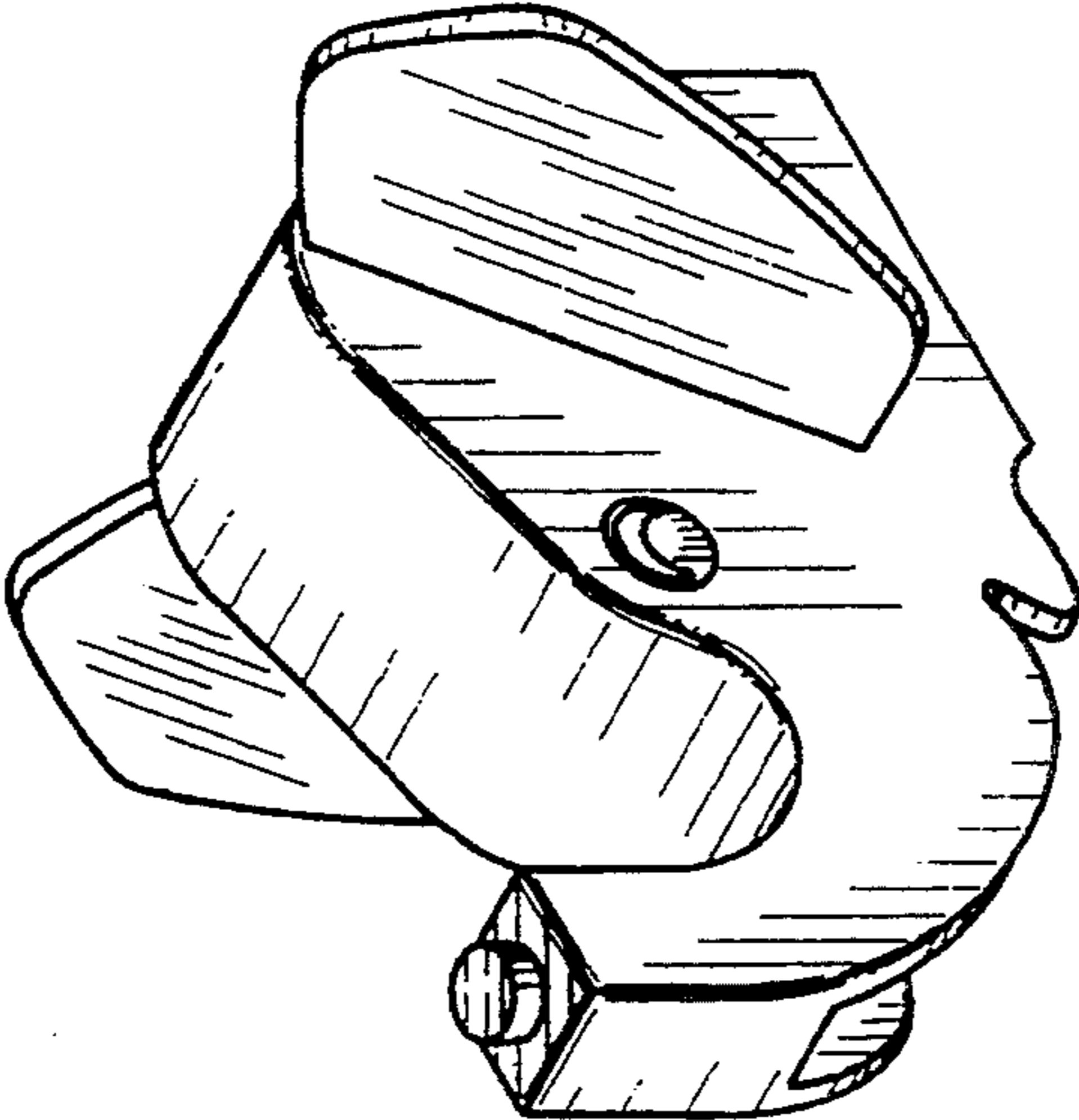


FIG. 1

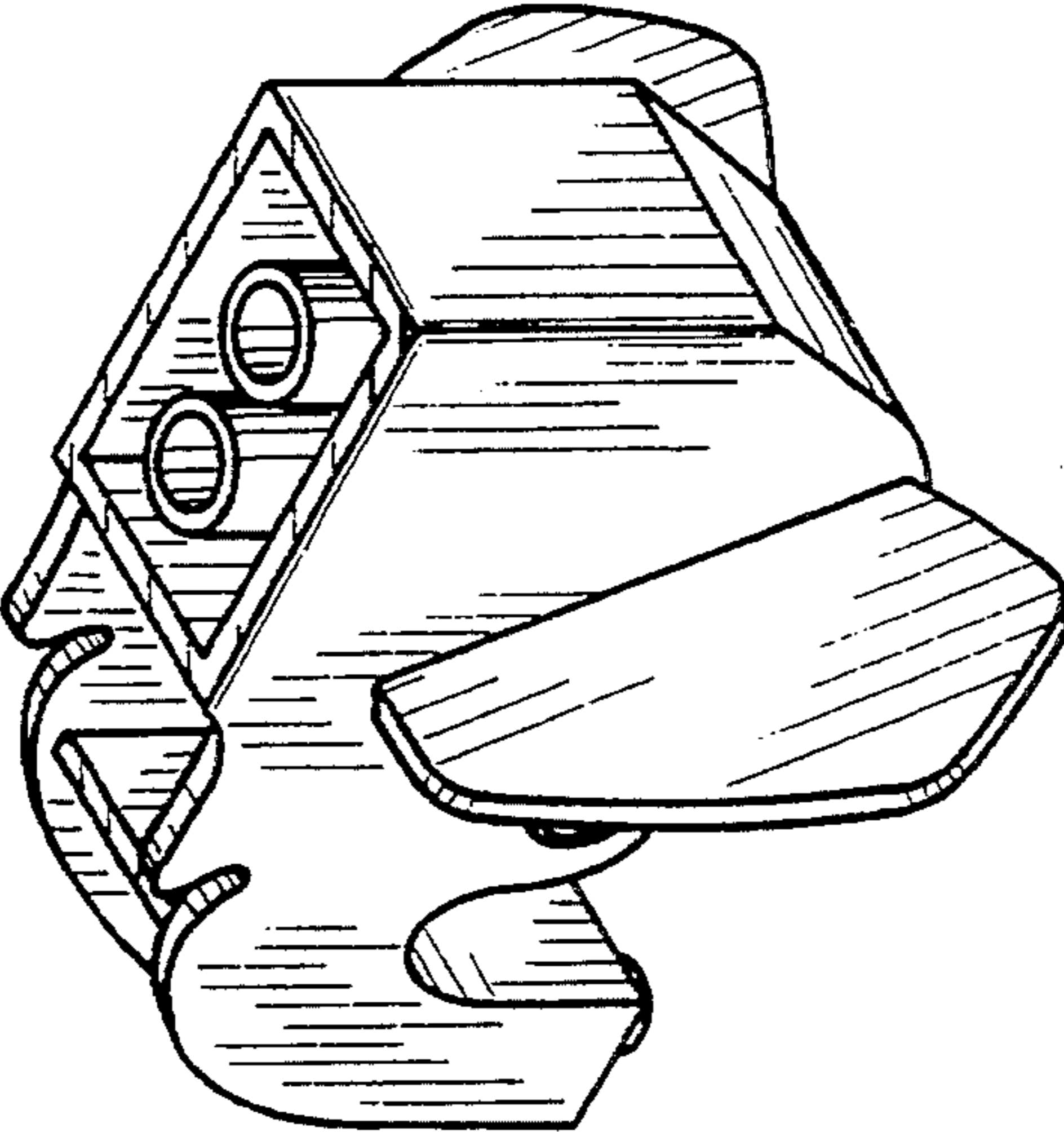


FIG. 2

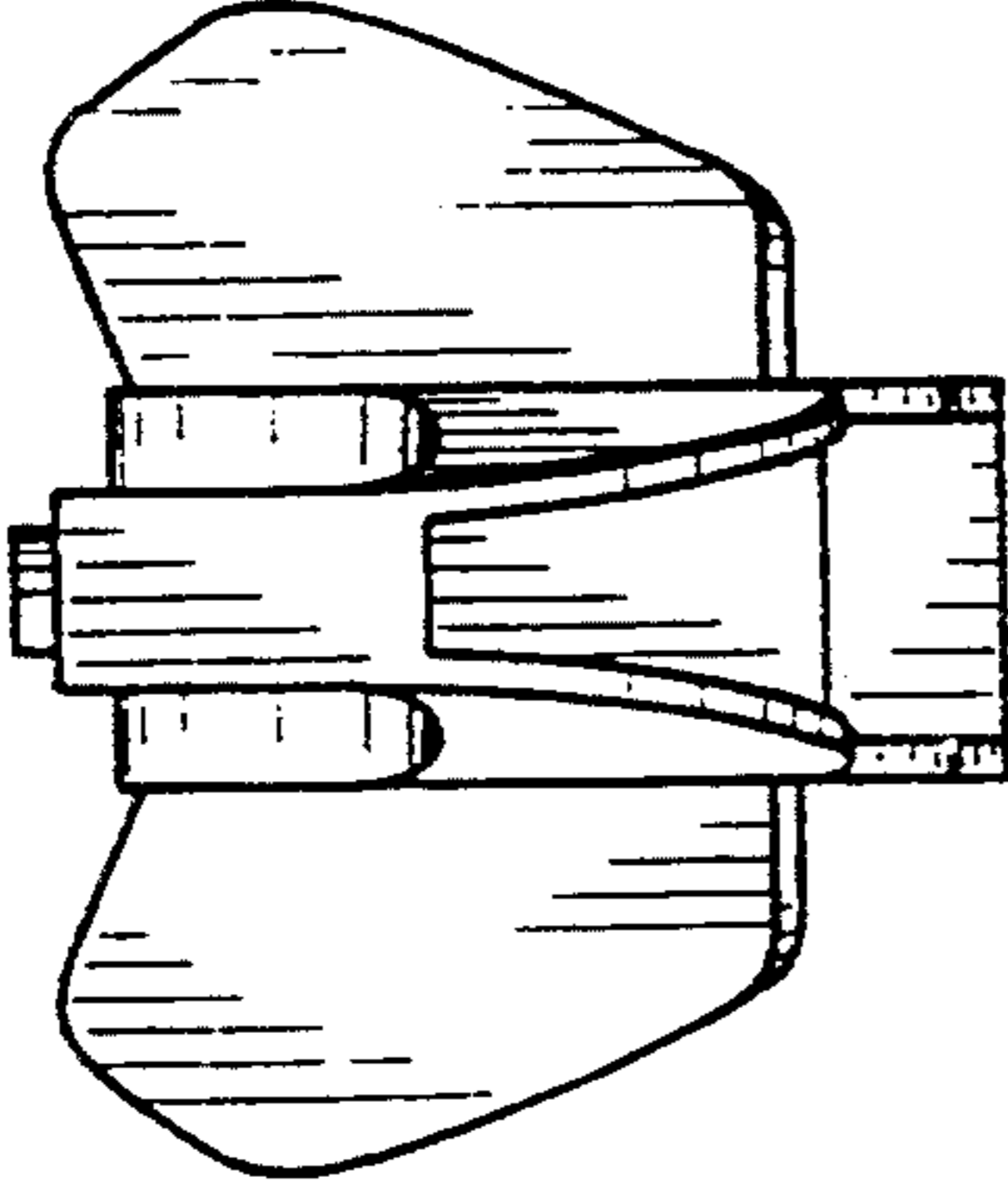


FIG. 3

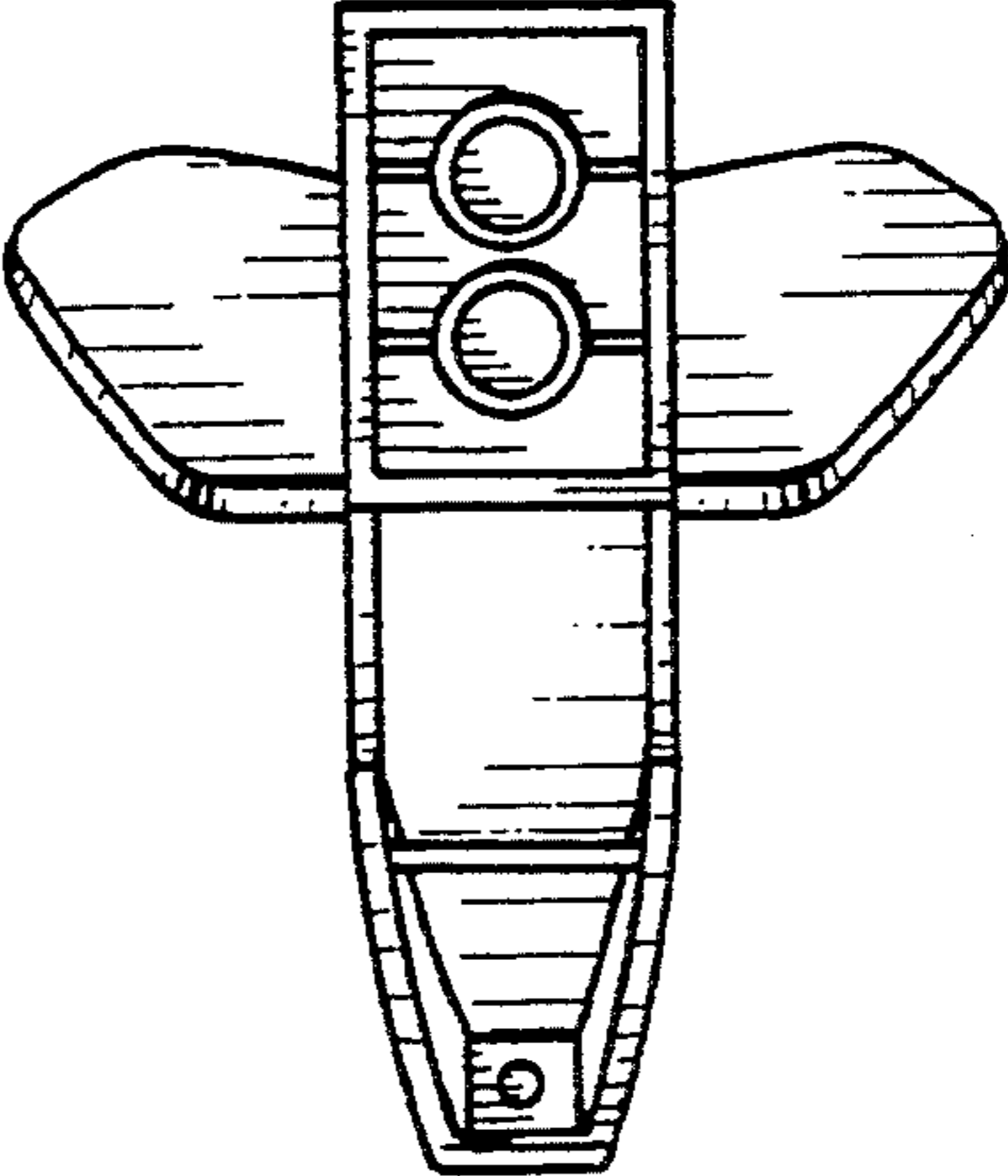


FIG. 6

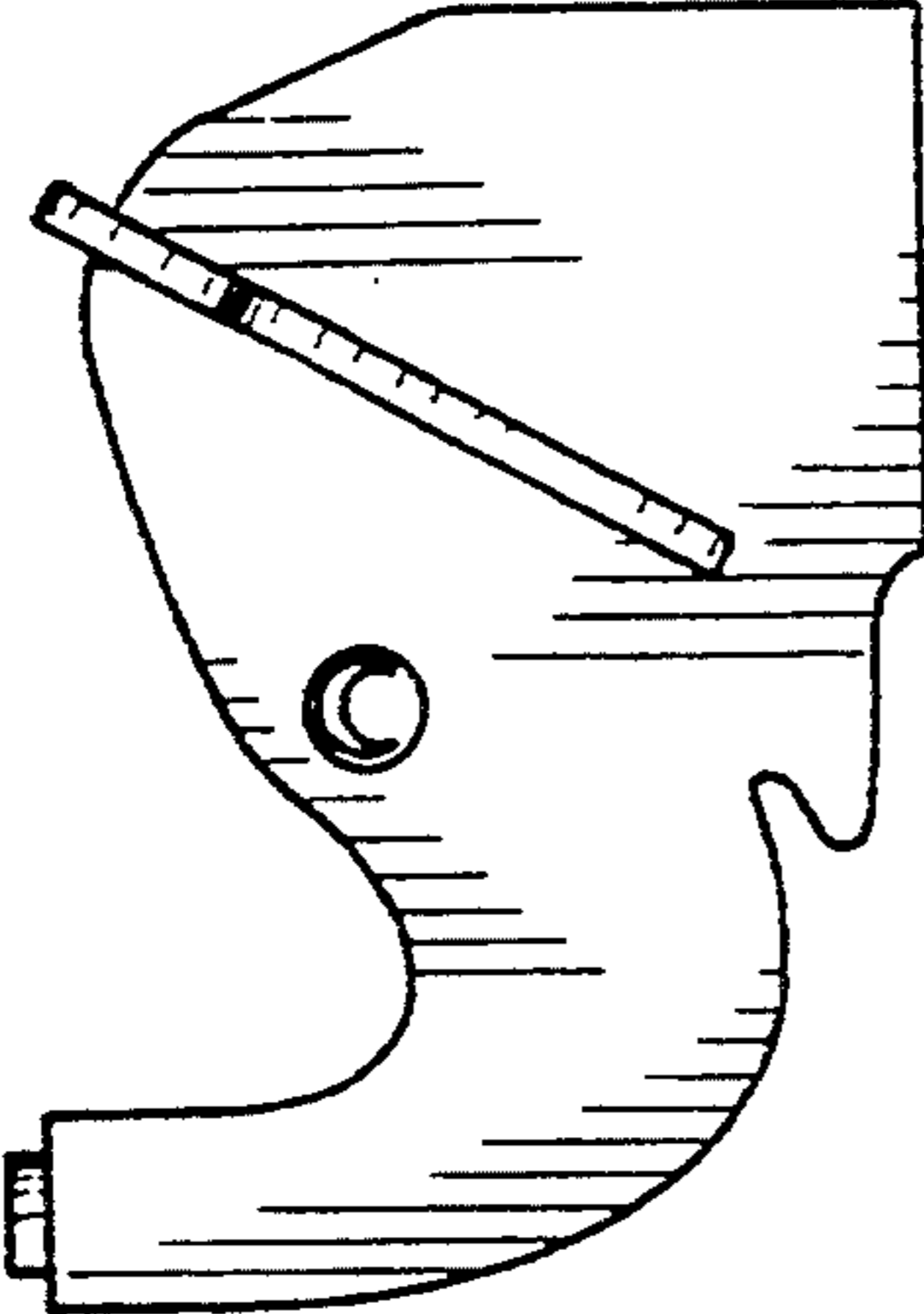


FIG. 4

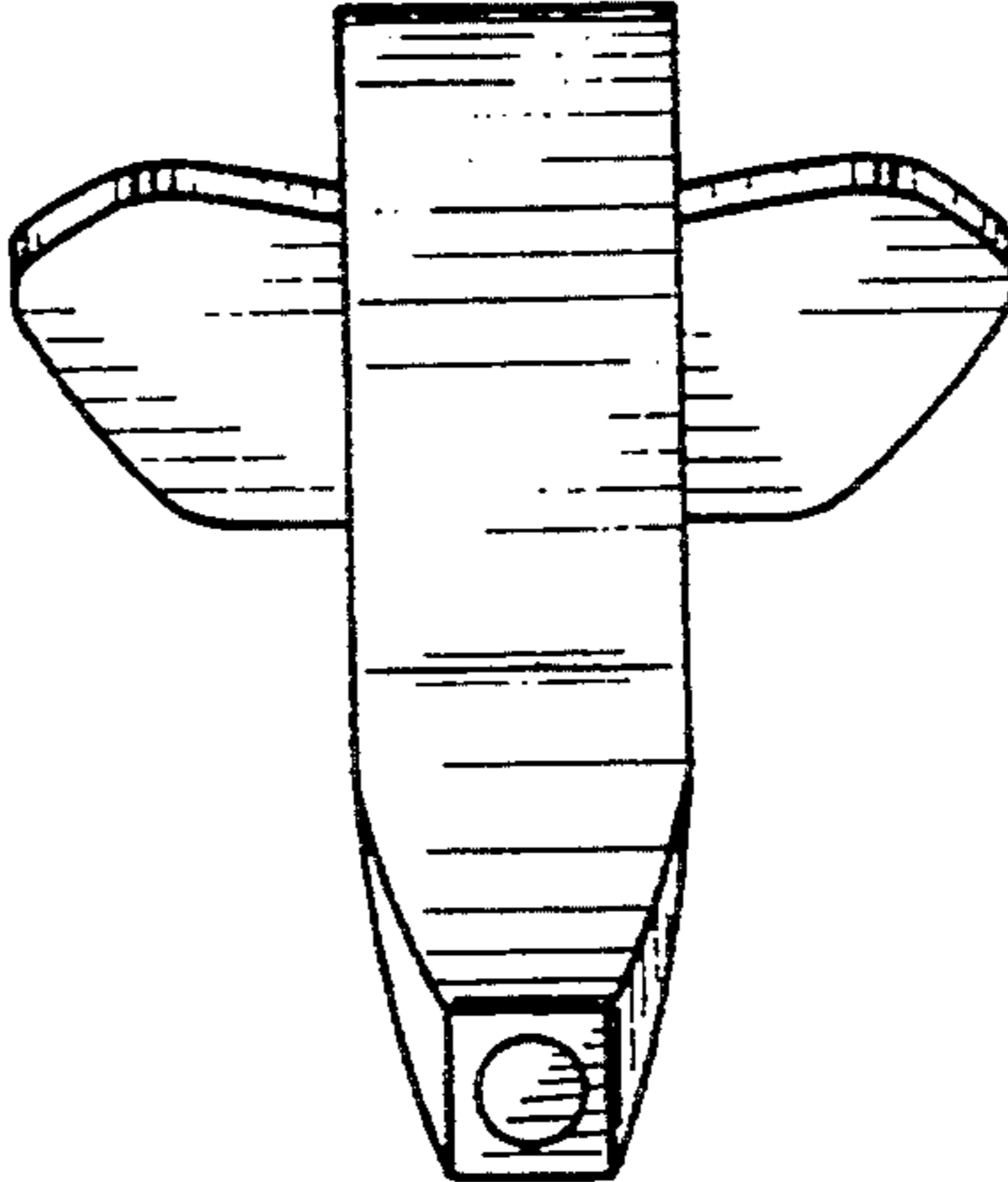


FIG. 7

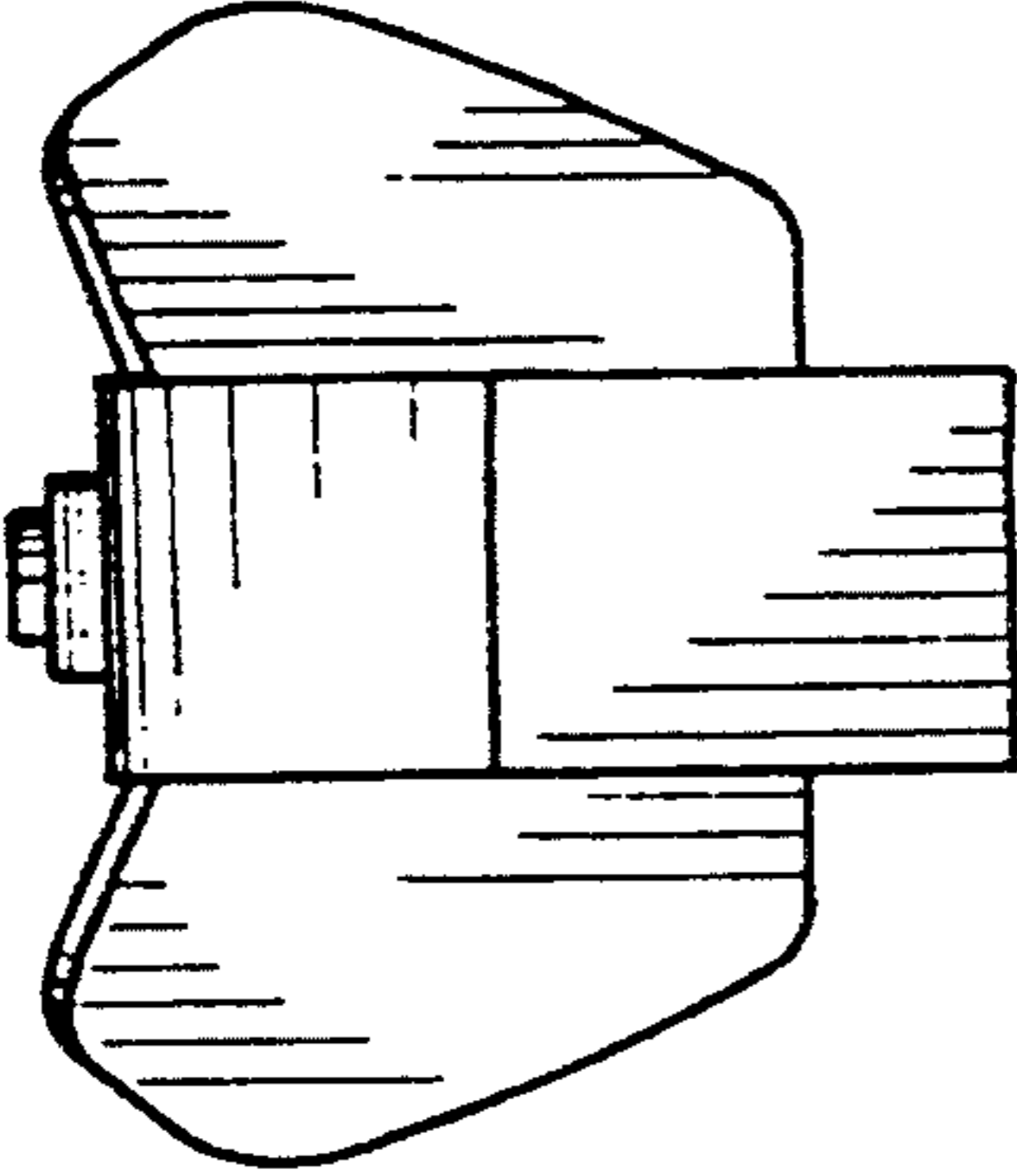


FIG. 5