



US00D359770S

United States Patent [19]
Connelley

[11] **Patent Number: Des. 359,770**
[45] **Date of Patent: ** Jun. 27, 1995**

[54] **CUBE PUZZLE**

4,872,682 10/1989 Kuchimanchi et al. 273/153 S

[75] **Inventor: James W. Connelley, San Jose, Calif.**

[73] **Assignee: ISHI Press International, San Jose, Calif.**

[**] **Term: 14 Years**

[21] **Appl. No.: 18,905**

[22] **Filed: Feb. 17, 1994**

[52] **U.S. Cl. D21/104; D21/107**

[58] **Field of Search D21/104, 107; 273/153 R, 153 S**

OTHER PUBLICATIONS

Puzzland Wooden Puzzles Brochure from Ishi Press International, PN017 "Blockhead" Puzzle.

Primary Examiner—Theodore M. Shooman

Assistant Examiner—Dominic Simone

Attorney, Agent, or Firm—Limbach & Limbach; Alan S. Hodes

CLAIM

[57]

The ornamental design for a cube puzzle, as shown and described.

DESCRIPTION

FIG. 1 is a perspective view of a cube puzzle showing my new, design;

FIG. 2 is a top plan view thereof;

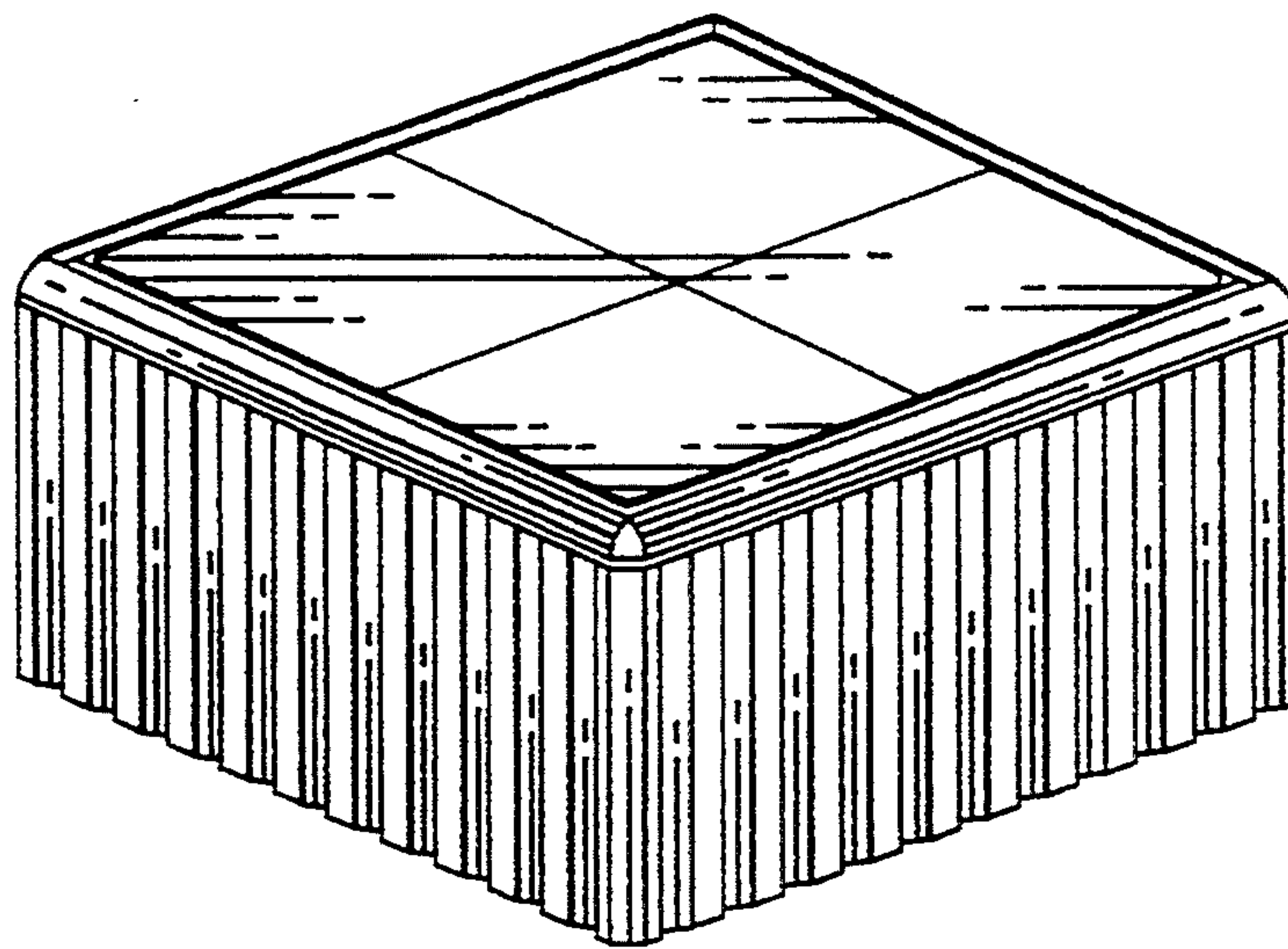
FIG. 3 is a front elevational view thereof, the rear and sides being identical; and,

FIG. 4 is a bottom plan view thereof.

References Cited

U.S. PATENT DOCUMENTS

D. 235,075	5/1975	Baynes	D21/107
D. 297,032	8/1988	Leung	D21/107
498,639	5/1893	Fields	273/153 S
526,544	9/1894	Shriver	273/153 S



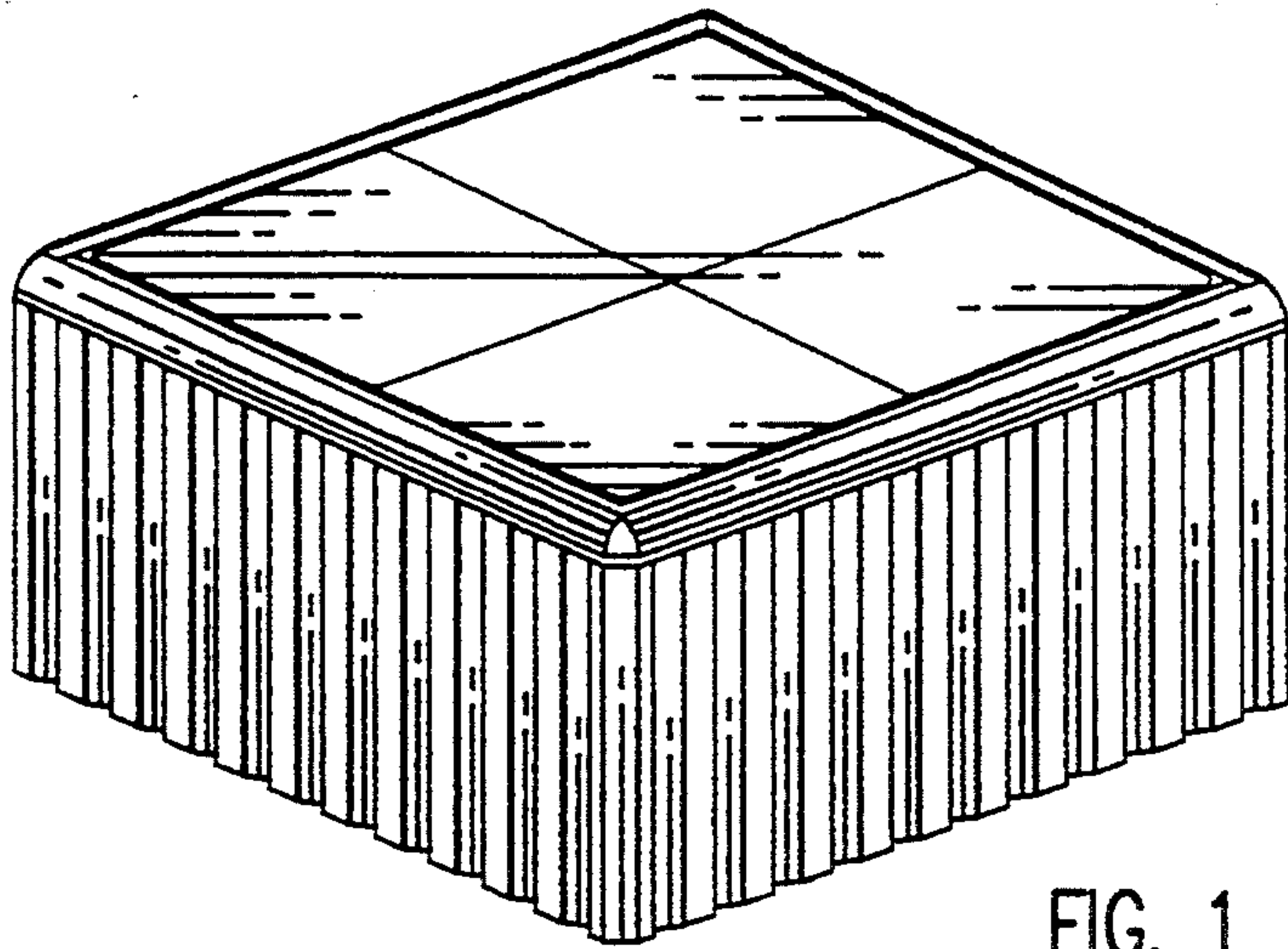


FIG. 1

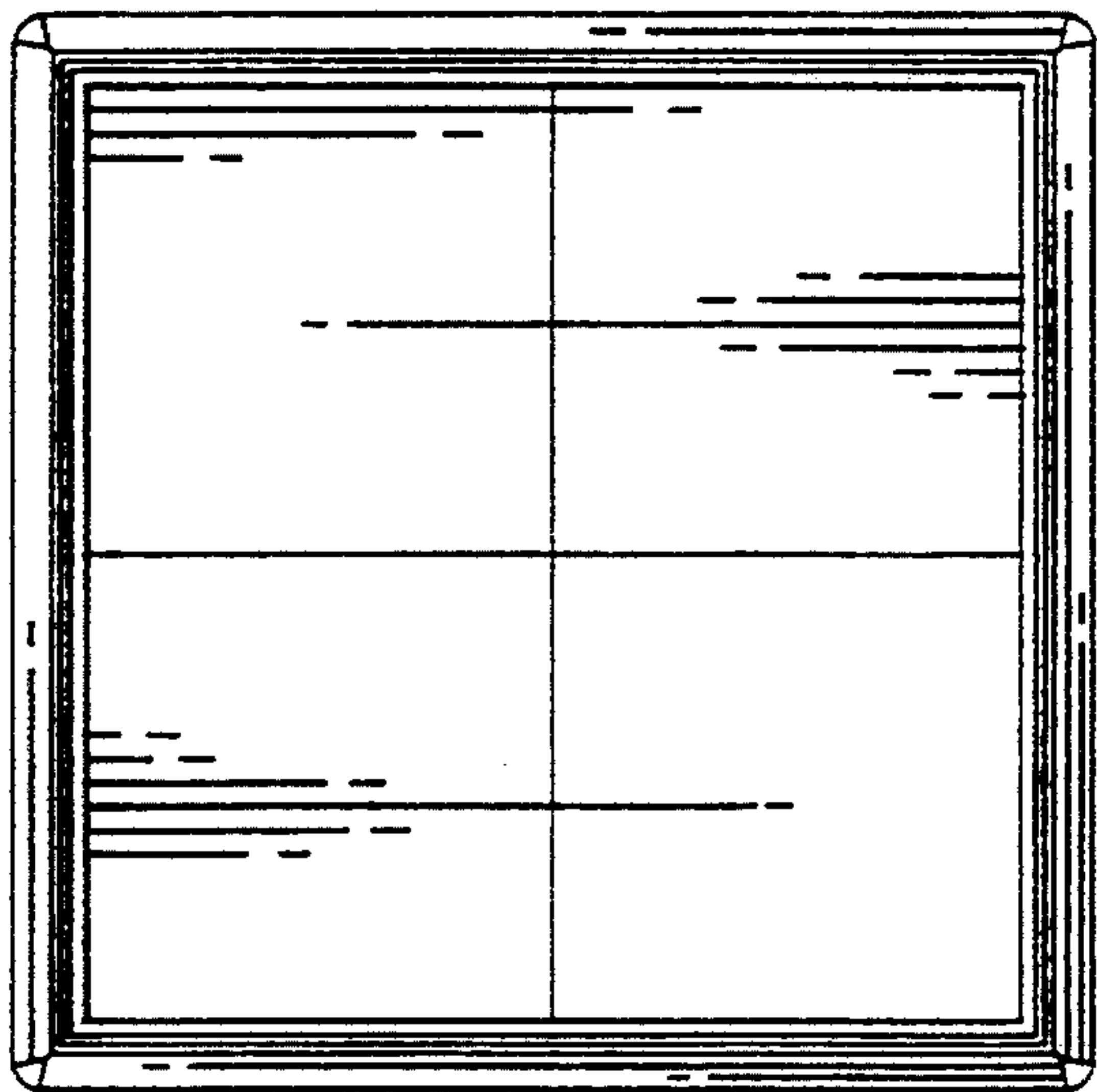


FIG. 2

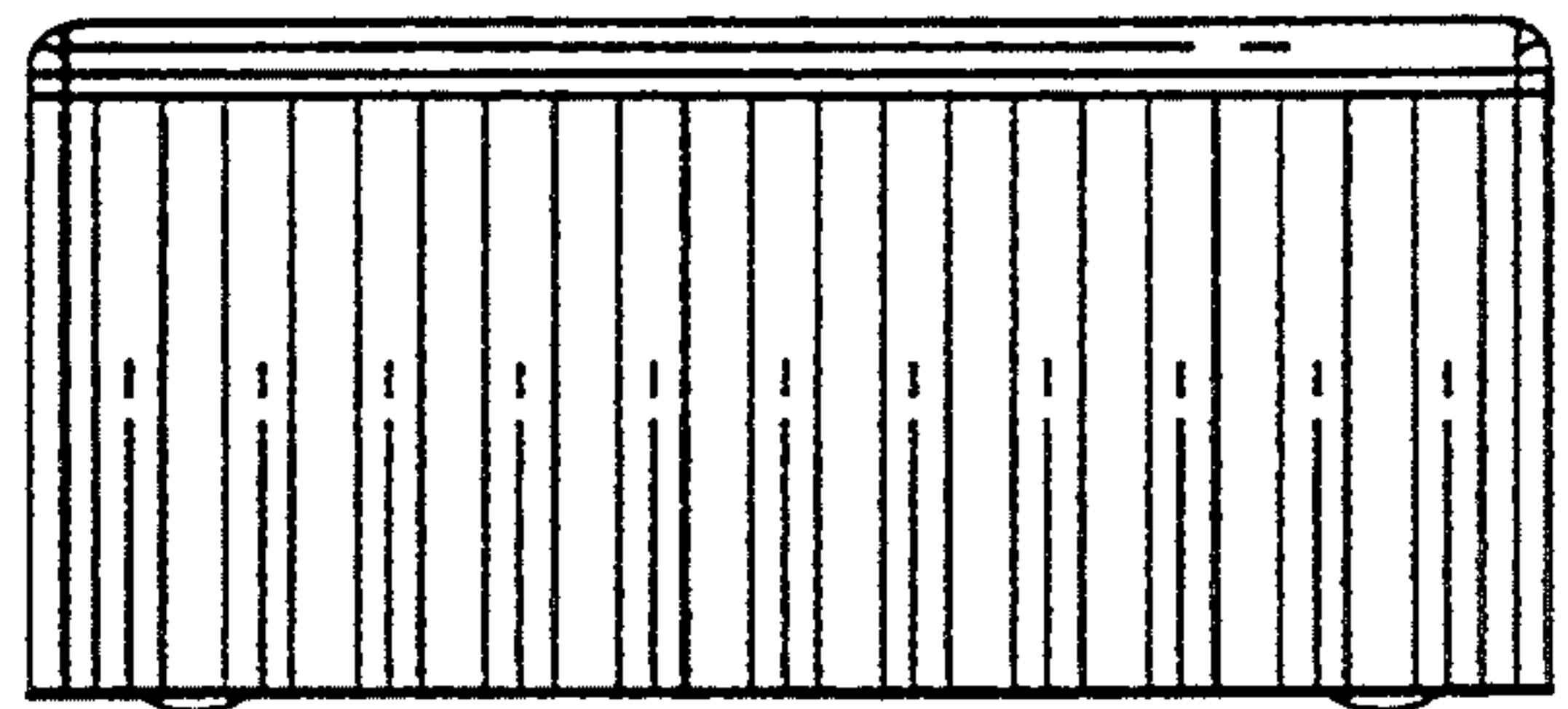


FIG. 3

FIG. 4

