



US00D359769S

United States Patent [19]

[11] Patent Number: **Des. 359,769**

Goncalves

[45] Date of Patent: **** Jun. 27, 1995**

[54] **TOY EXCAVATOR**

[76] Inventor: **Nelson S. Goncalves**, 4546 Gatineau Avenue, Mississauga, Ontario, Canada

[**] Term: **14 Years**

[21] Appl. No.: **19,275**

[22] Filed: **Feb. 28, 1994**

[52] U.S. Cl. **D21/79**

[58] Field of Search **D21/69-71, D21/73-79, 128, 132, 134, 136, 137, 141; 446/465, 456, 470, 427, 428; 280/1.13, 8.28**

[56] **References Cited**

U.S. PATENT DOCUMENTS

- D. 52,978 2/1919 Arney D21/71
- D. 215,166 9/1969 Richardson D21/73

- D. 228,358 9/1973 Wormser et al. D21/132
- D. 267,100 11/1982 Magnusson D21/79
- D. 276,355 11/1984 Sjolholm D21/71
- D. 321,380 11/1991 Dewing D21/71

Primary Examiner—Terry A. Wallace

Assistant Examiner—R. Barkai

[57] **CLAIM**

The ornamental design for a toy excavator, as shown and described.

DESCRIPTION

FIG. 1 is a front elevational view of the toy excavator showing my new design;

FIG. 2 is a rear elevational view thereof;

FIG. 3 is a left side elevational view thereof;

FIG. 4 is a right side elevational view thereof;

FIG. 5 is a top plan view thereof;

FIG. 6 is a bottom plan view thereof; and,

FIG. 7 is an isometric view thereof.

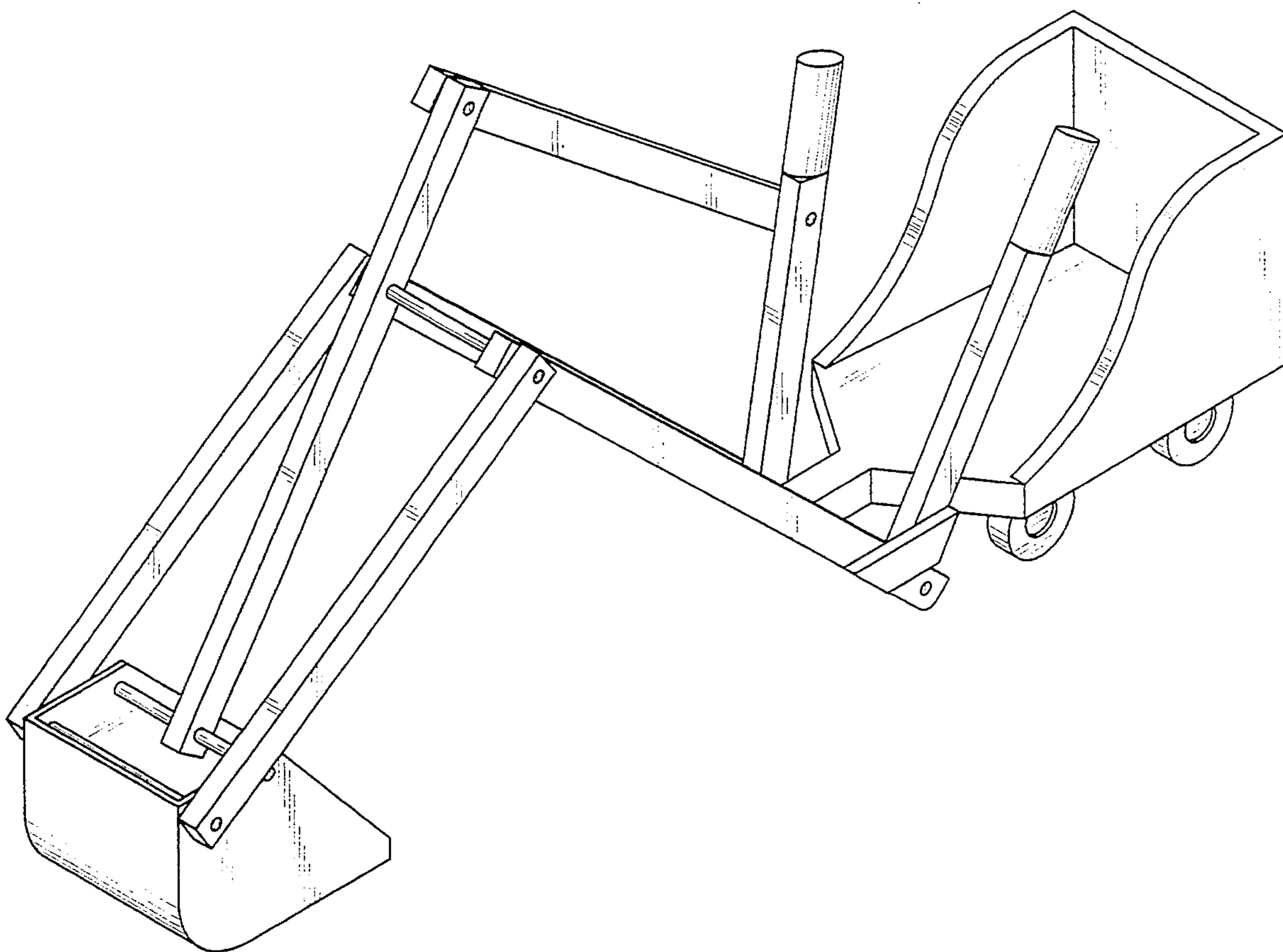


FIG. 1

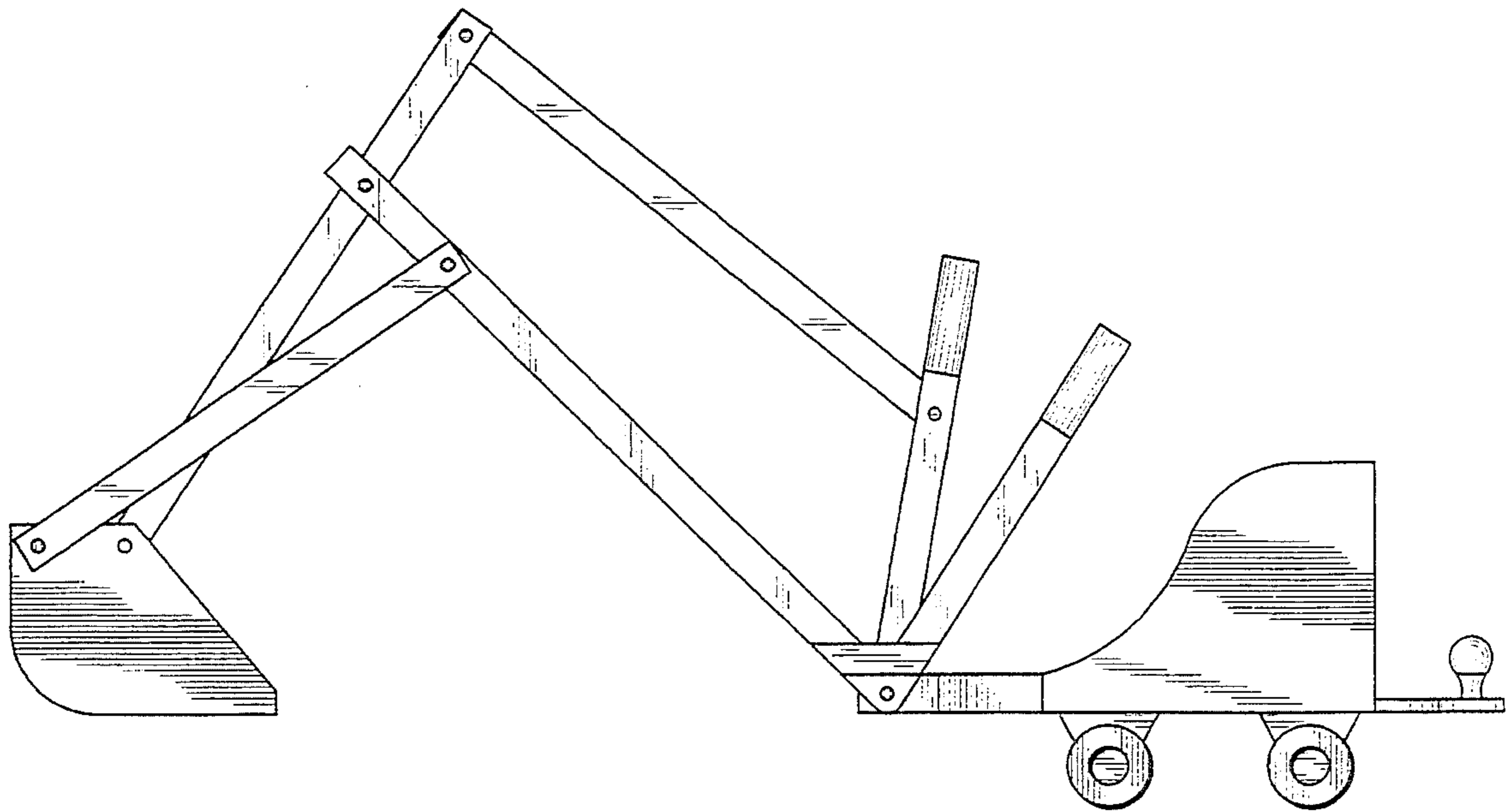


FIG. 2

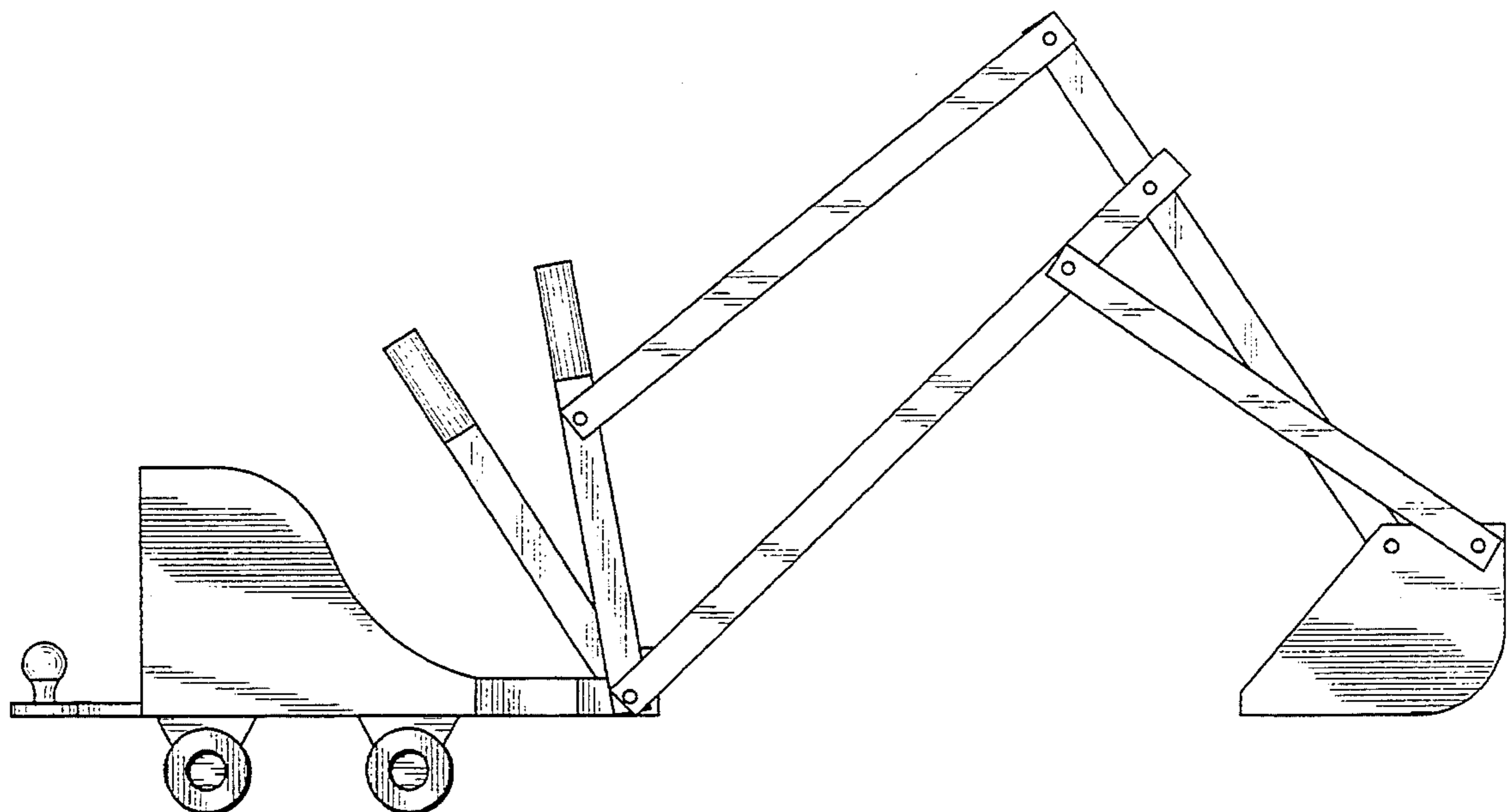


FIG. 3

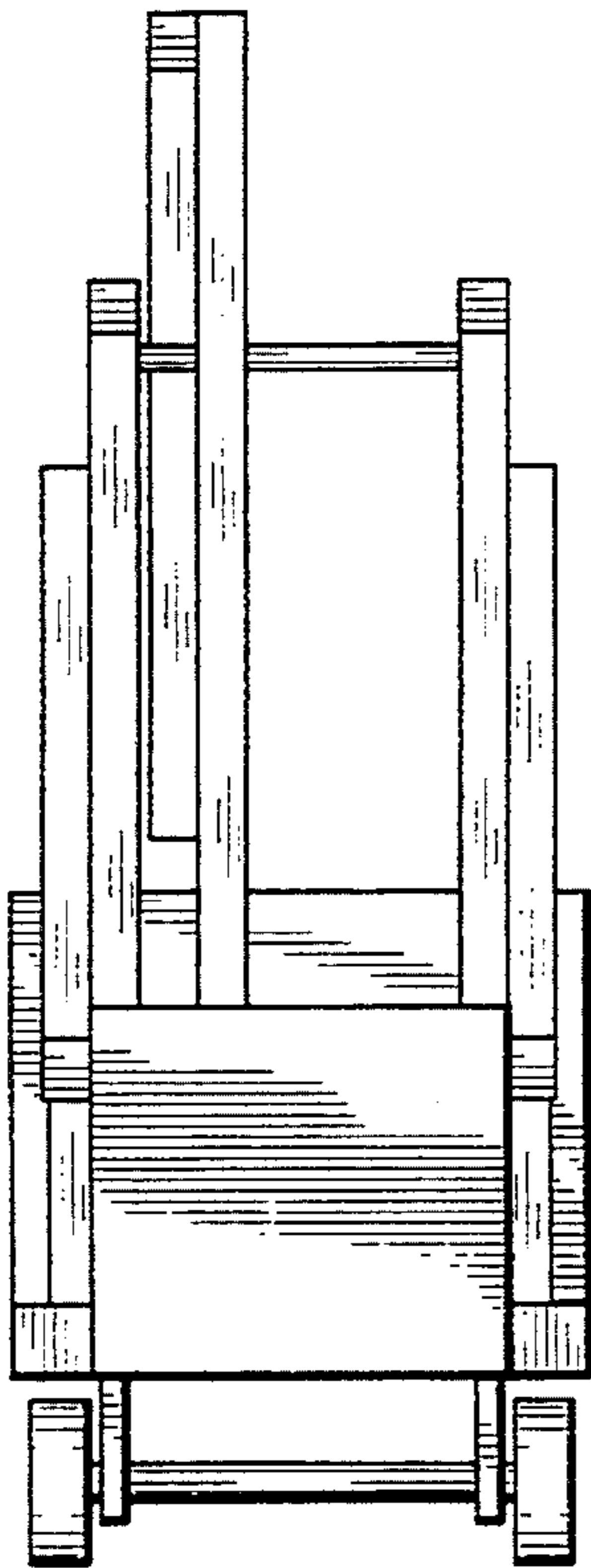


FIG. 4

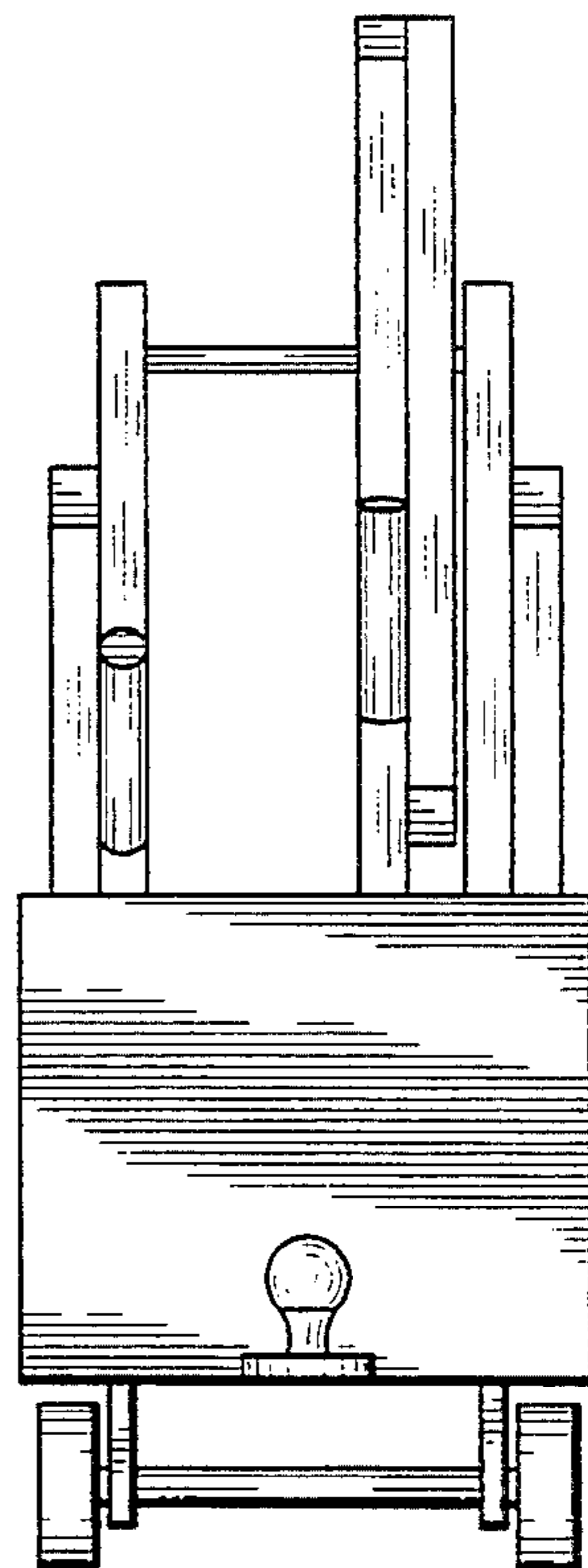


FIG. 5

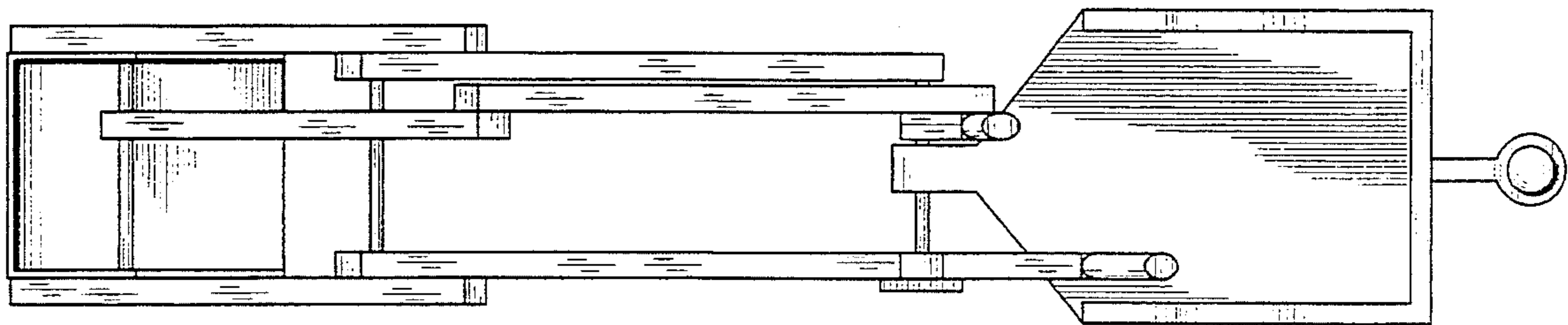


FIG. 6

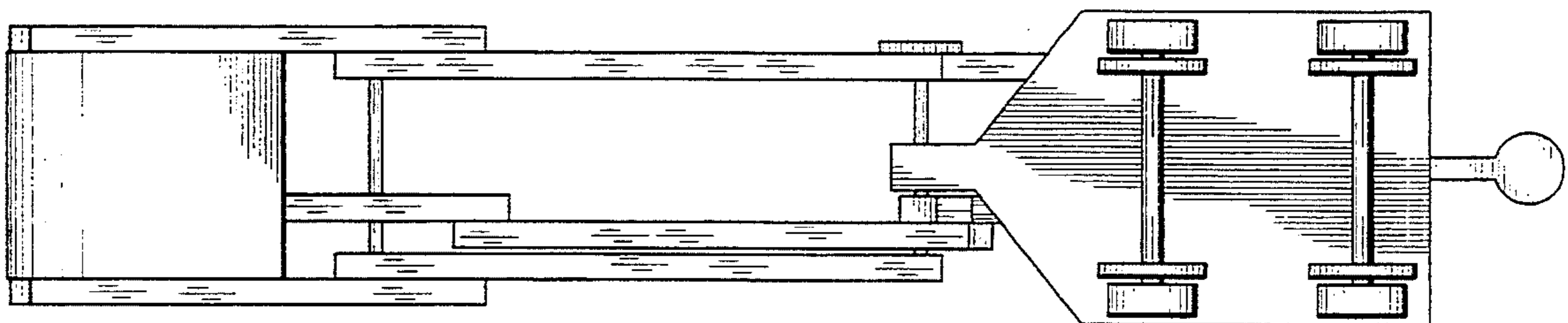


FIG. 7

