



US00D359765S

United States Patent [19]

[11] Patent Number: **Des. 359,765**

Izawa

[45] Date of Patent: **** Jun. 27, 1995**

[54] **MONEY DISCRIMINATOR**

[75] Inventor: **Hikaru Izawa**, Hadano, Japan

[73] Assignee: **Nihon Kinsen Kikai Kabushiki Kaisha**, Osaka, Japan

[**] Term: **14 Years**

[21] Appl. No.: **19,497**

[22] Filed: **Mar. 3, 1994**

[30] **Foreign Application Priority Data**

Sep. 18, 1993 [JP] Japan 5-28200

[52] U.S. Cl. **D20/9**

[58] Field of Search D20/8, 9; 194/206, 207, 194/350, 336, 345, 346

[56] **References Cited**

U.S. PATENT DOCUMENTS

4,011,931	3/1977	Wyckoff	194/206
4,159,054	6/1979	Yoshida	194/350
4,966,304	10/1990	Kelly	194/350 X
5,099,975	3/1992	Ullman et al.	184/345 X
5,222,584	6/1993	Zouzoulas	194/207

Primary Examiner—Terry A. Wallace
Assistant Examiner—Mitchell I. Siegel
Attorney, Agent, or Firm—Jordan and Hamburg

[57] **CLAIM**

The ornamental design for a money discriminator, as shown and described.

DESCRIPTION

FIG. 1 is a front elevation view of a money discriminator showing my new design;
FIG. 2 is a rear elevation view of the money discriminator;
FIG. 3 is a left side elevation view of the money discriminator;
FIG. 4 is a right side elevation view of the money discriminator;
FIG. 5 is a top plan view of the money discriminator;
FIG. 6 is a bottom plan view of the money discriminator;
FIG. 7 is a perspective view showing front, right side, and top portions of the money discriminator; and,
FIG. 8 is a perspective view showing rear, left side, and top portions of the money discriminator.

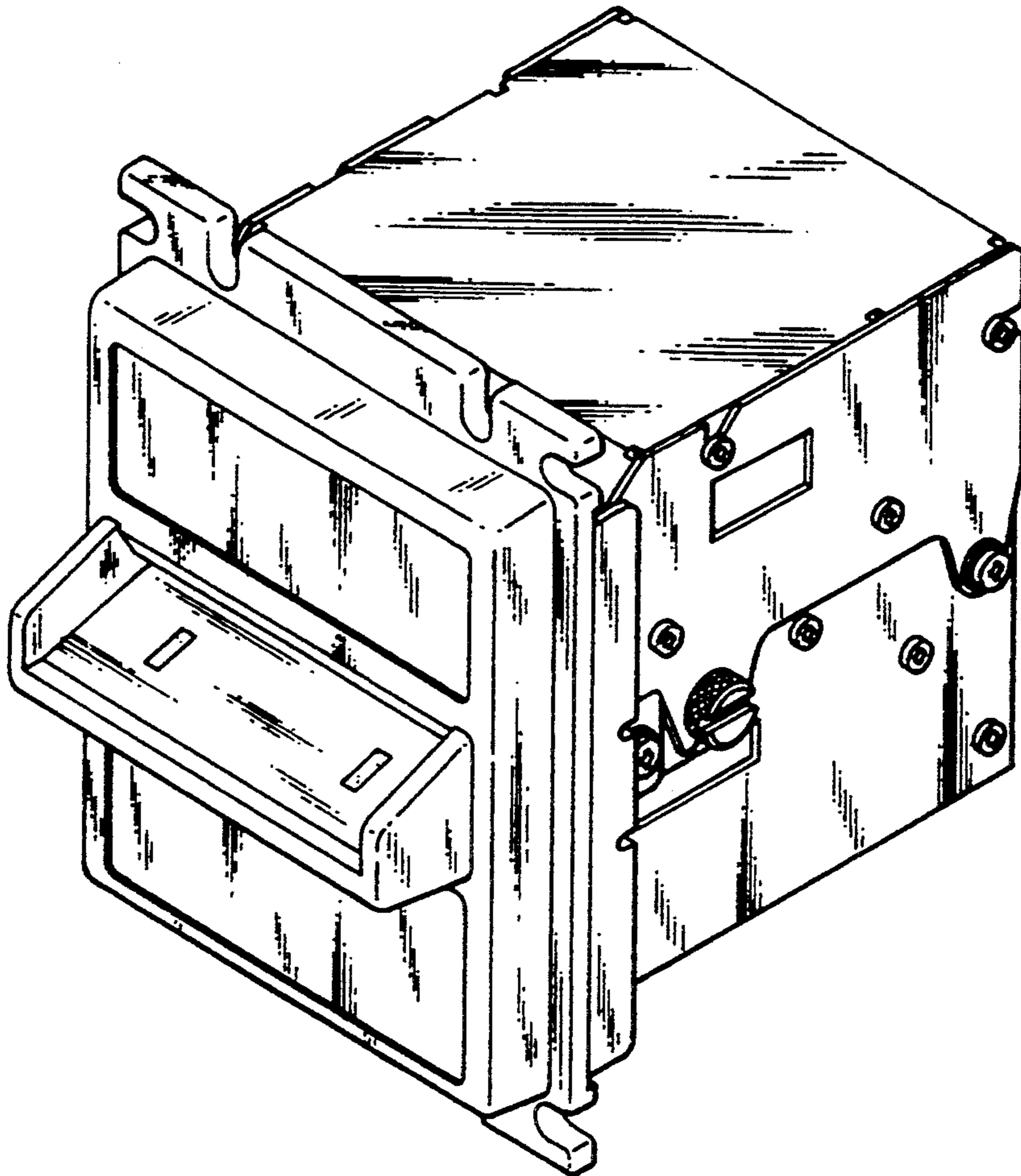


FIG. 1

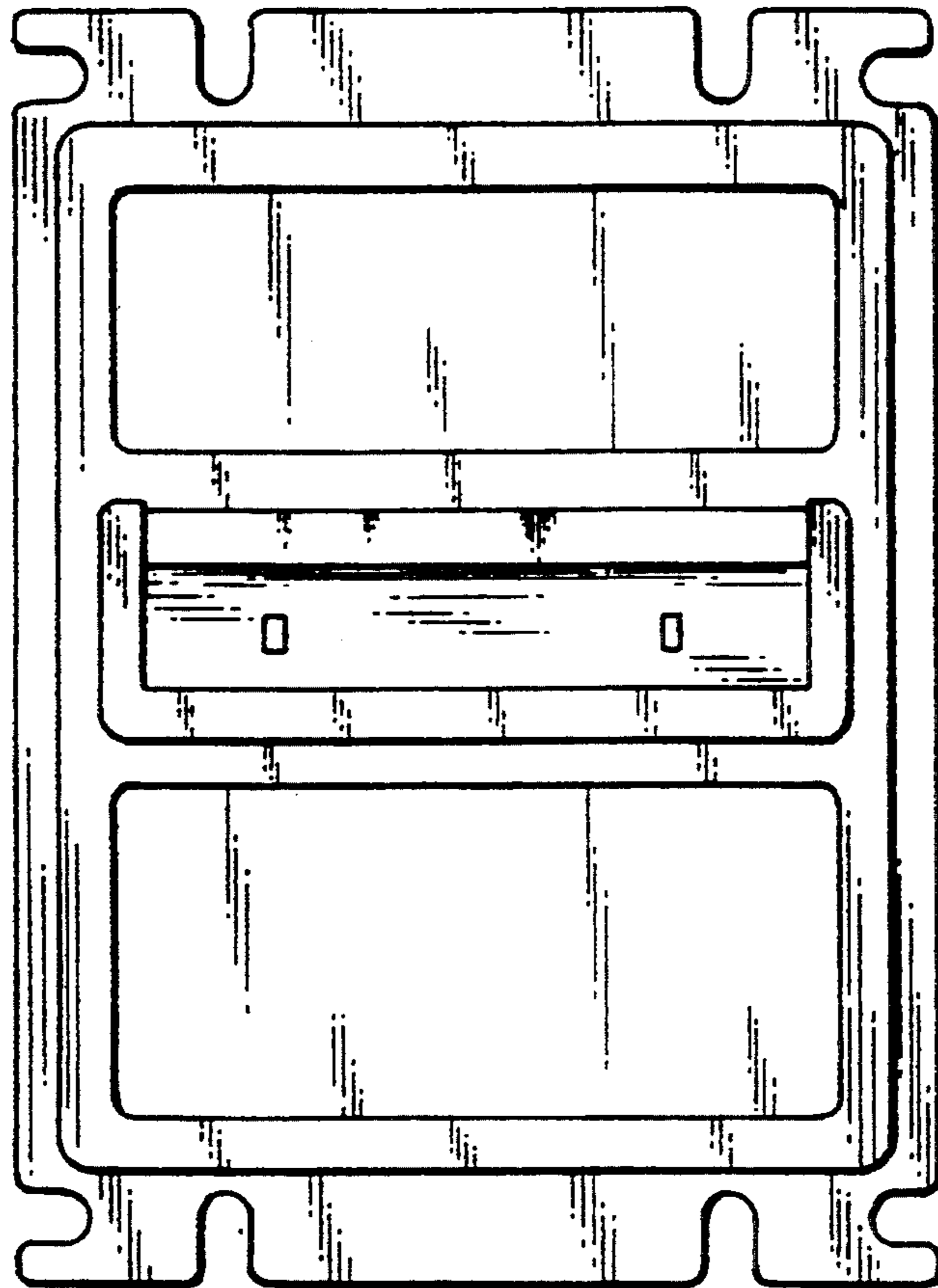


FIG. 2

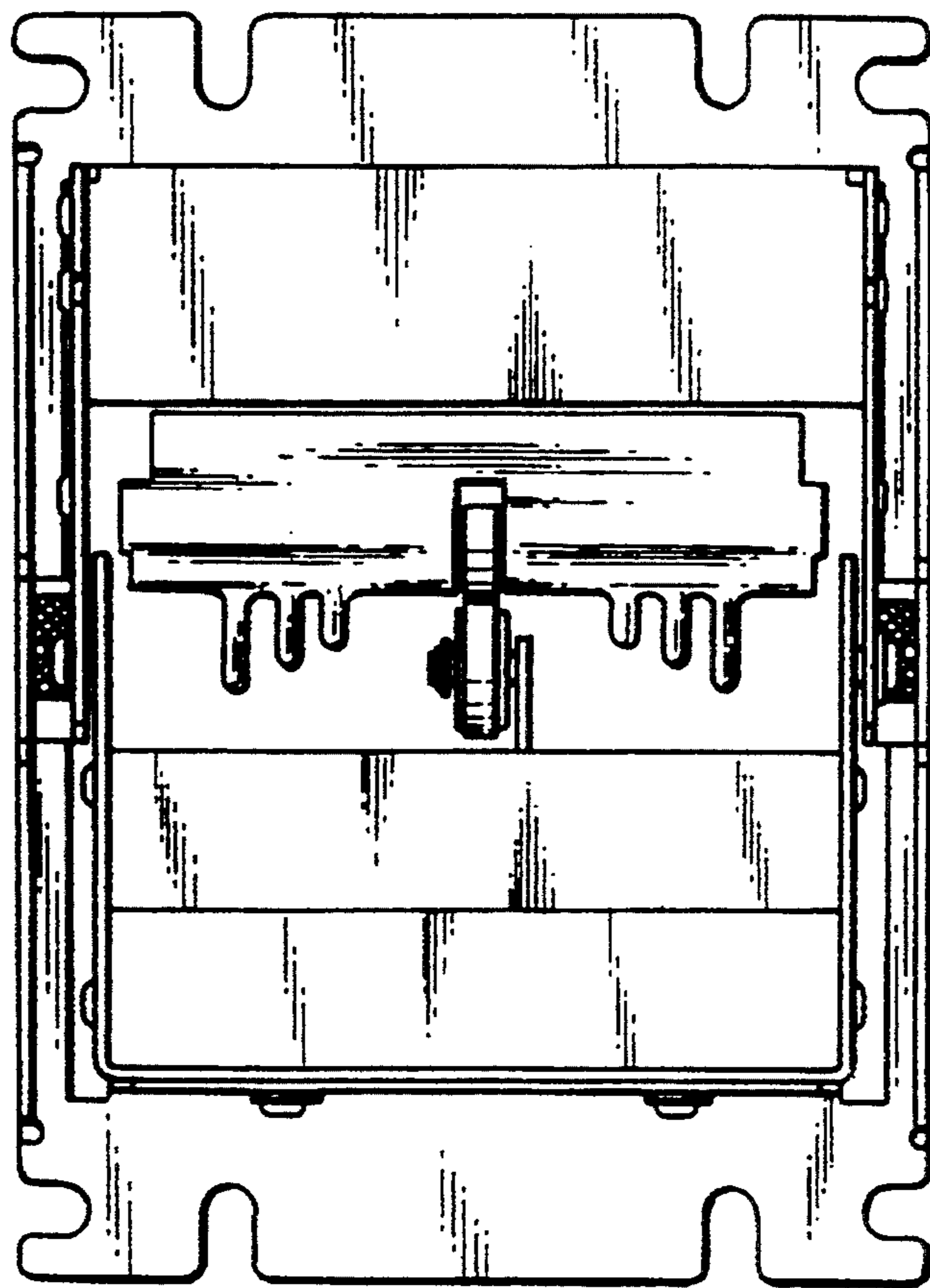


FIG. 3

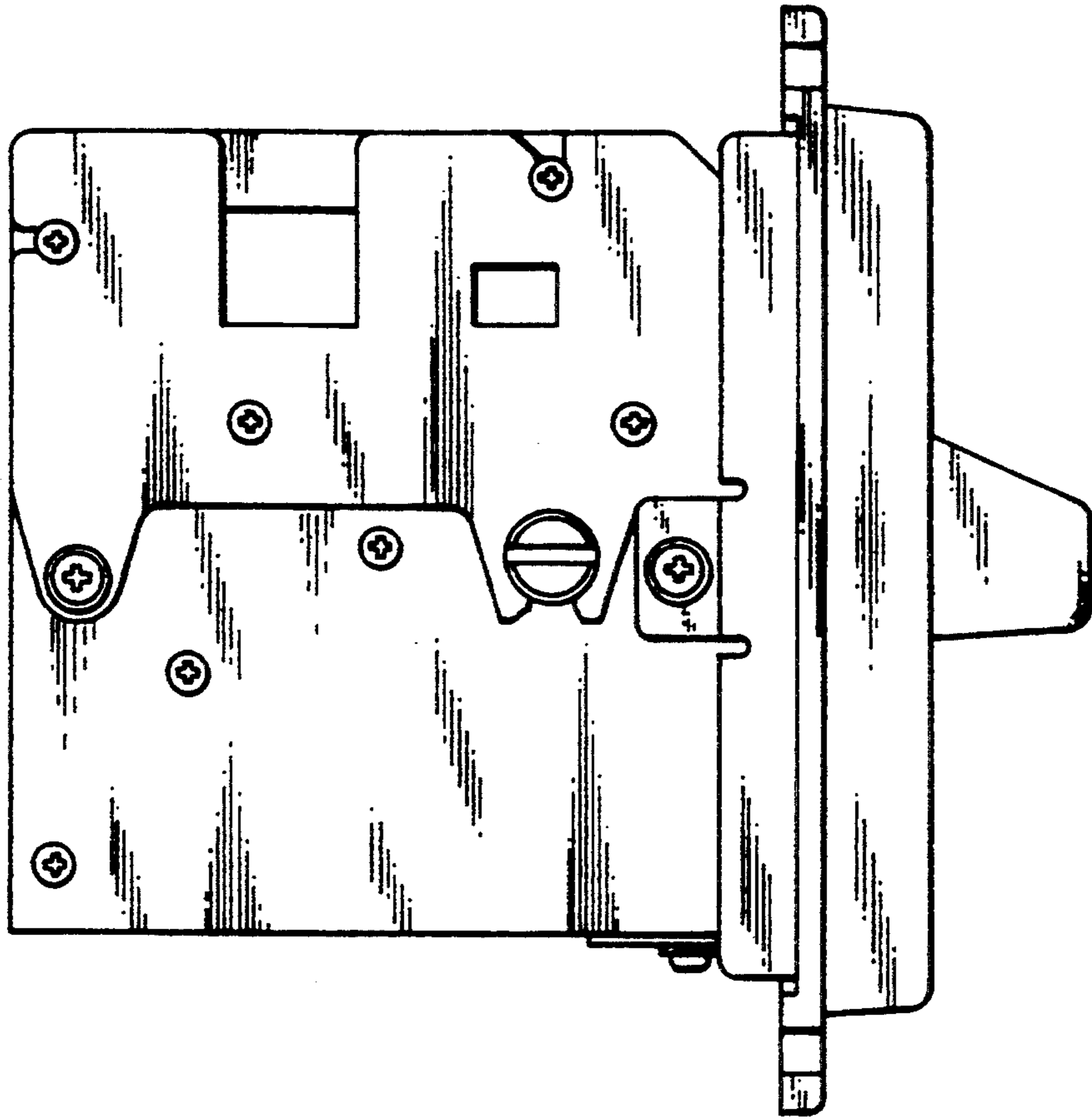


FIG. 4

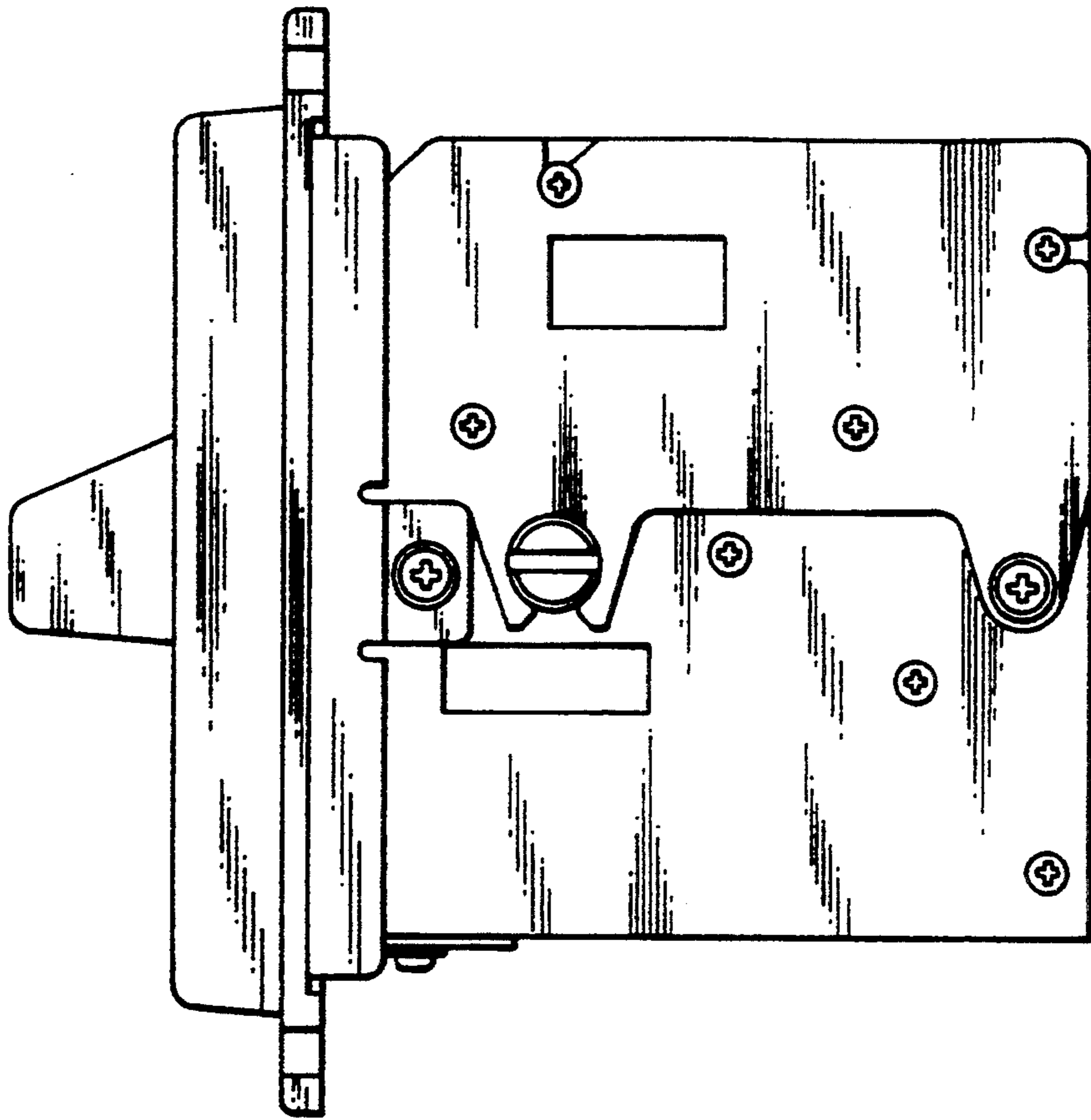


FIG. 5

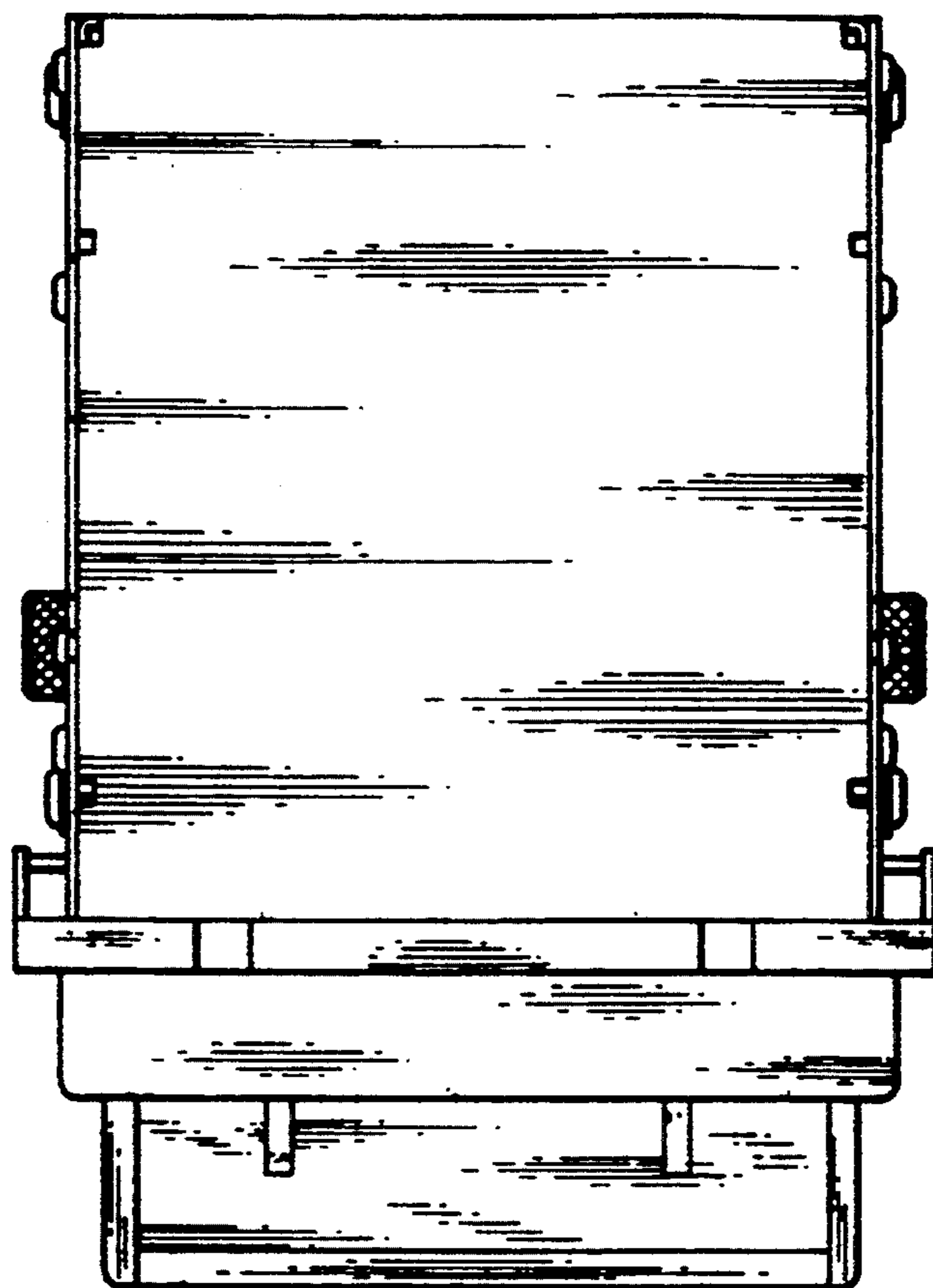


FIG. 6

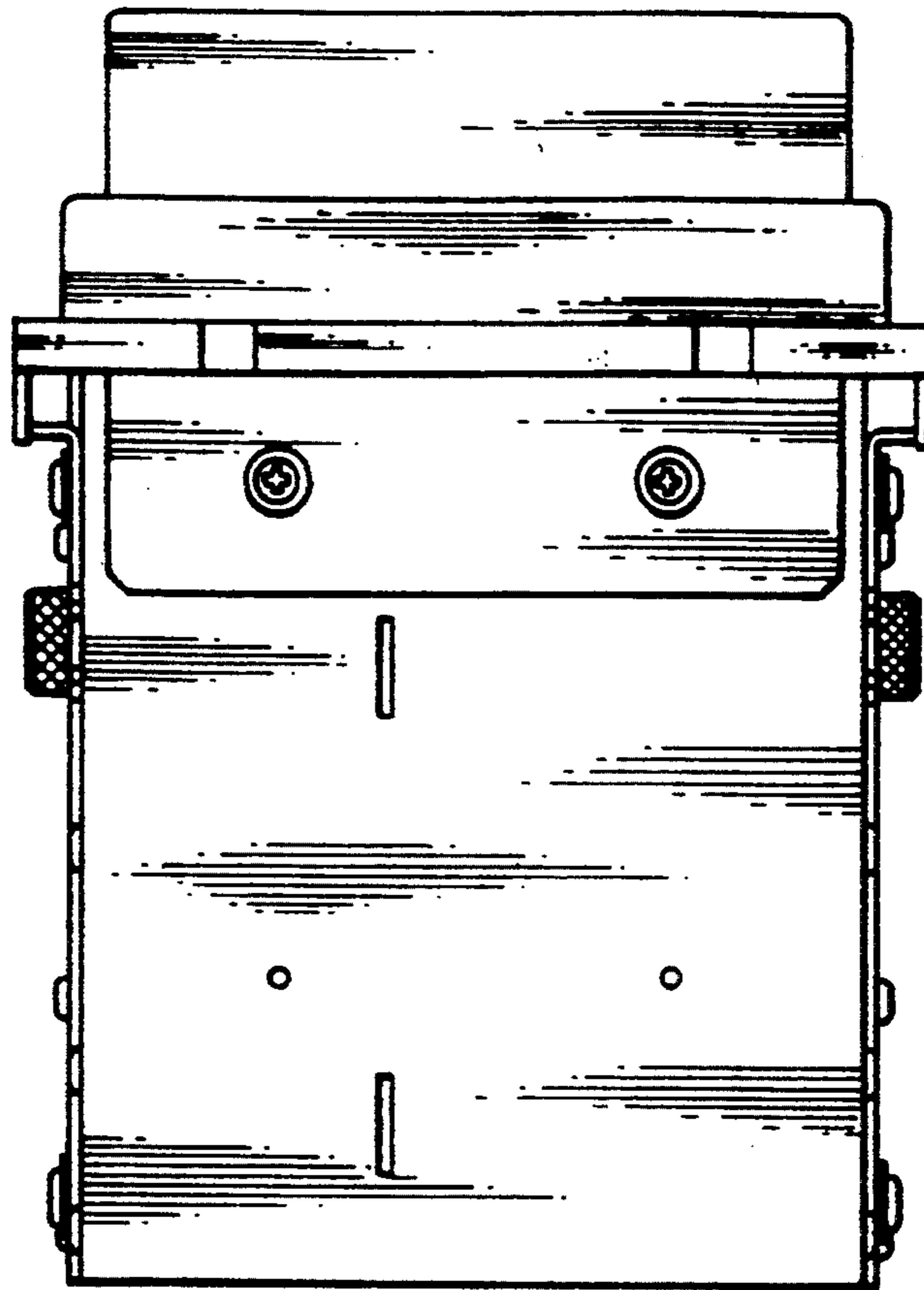


FIG. 7

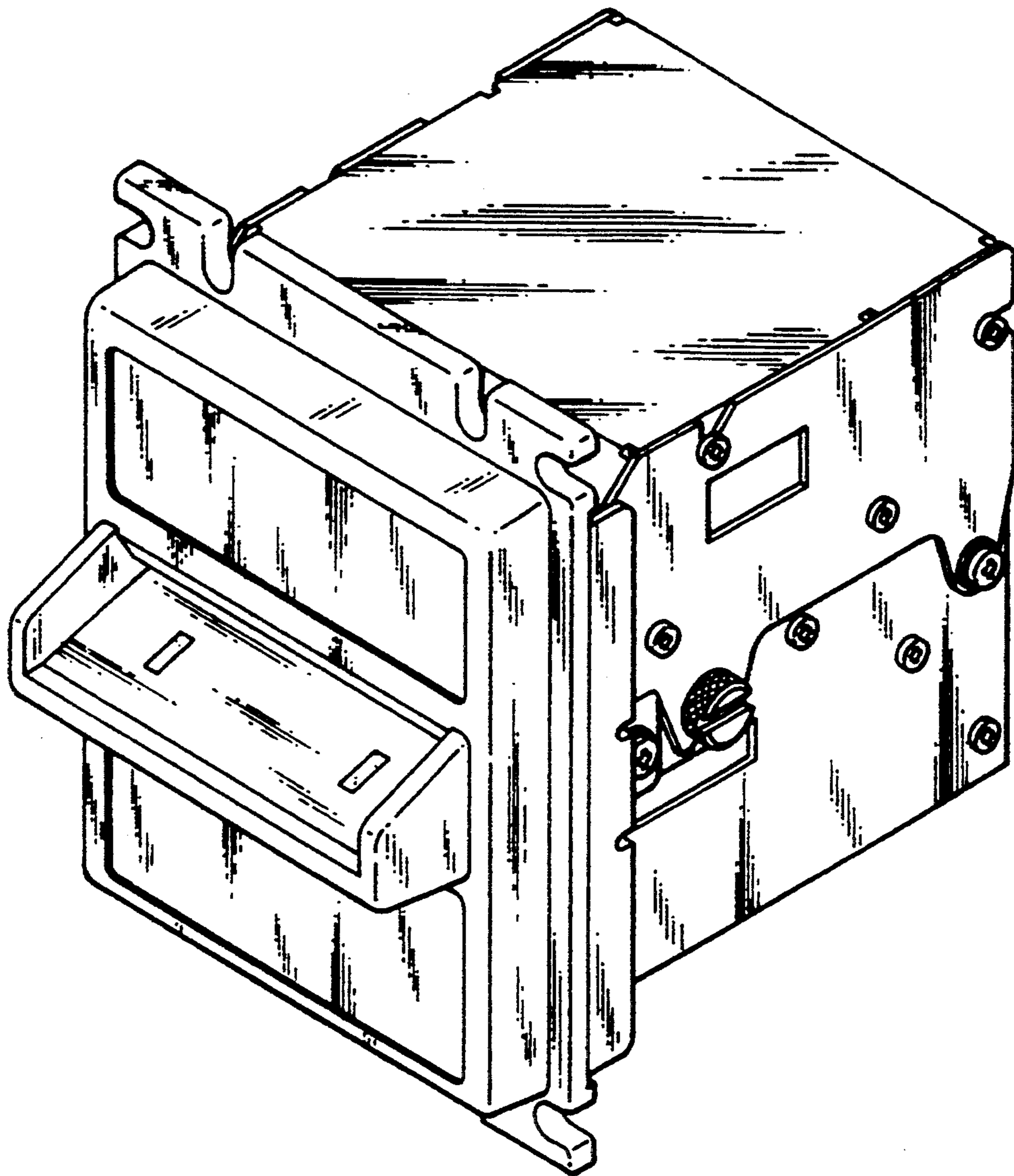


FIG. 8

