



US00D359760S

United States Patent [19]

[11] Patent Number: Des. 359,760

Robinson

[45] Date of Patent: ** Jun. 27, 1995

[54] TACTILE, AUDIO AND VISUAL STIMULATION UNIT

[76] Inventor: Carolyn T. Robinson, 1474 Parkside Ave., Apt. 10, Ewing Township, Mercer County, N.J. 08638

[**] Term: 14 Years

[21] Appl. No.: 24,949

[22] Filed: Jun. 23, 1994

[52] U.S. Cl. D19/60

[58] Field of Search D19/59, 60, 62, 64; 434/256, 257, 258, 259, 266, 267, 84, 96, 169, 306, 307, 432, 322, 323, 324, 327

[56] References Cited

U.S. PATENT DOCUMENTS

D. 247,363 2/1978 Hughes D19/60
3,974,593 8/1976 Walker 434/864

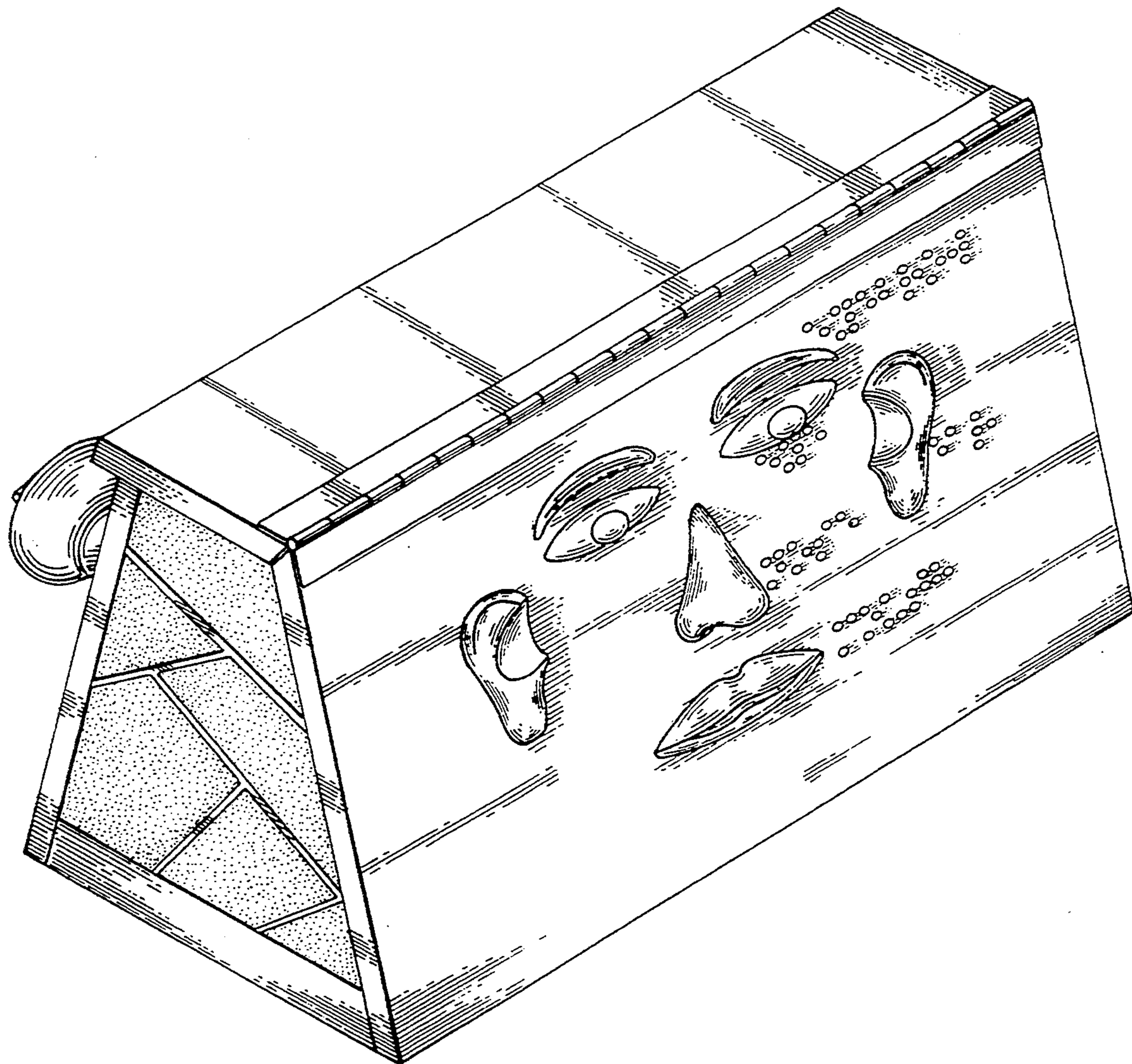
Primary Examiner—James M. Gandy
Assistant Examiner—Pamela Burgess
Attorney, Agent, or Firm—Sperry, Zoda & Kane

[57] CLAIM

The ornamental design for a tactile, audio and visual stimulation unit, as shown and described.

DESCRIPTION

FIG. 1 is a rear $\frac{3}{4}$ perspective view embodying my new design;
FIG. 2 is a front $\frac{3}{4}$ perspective view;
FIG. 3 is a rear $\frac{3}{4}$ perspective view with top open;
FIG. 4 is a rear plan view;
FIG. 5 is a front plan view;
FIG. 6 is a plan view of the left side;
FIG. 7 is a plan view of the right side;
FIG. 8 is a top plan view; and,
FIG. 9 is a bottom plan view.



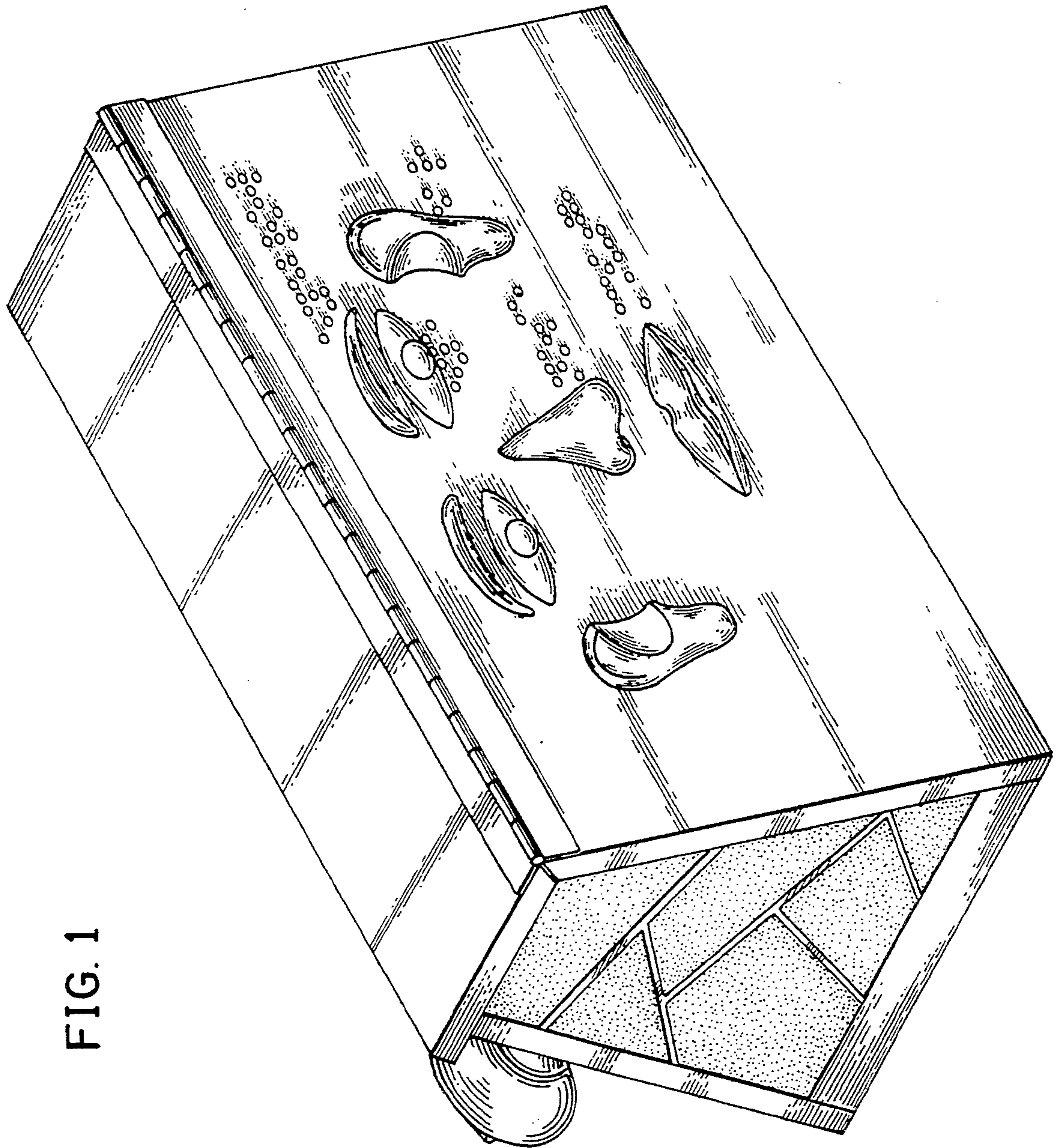
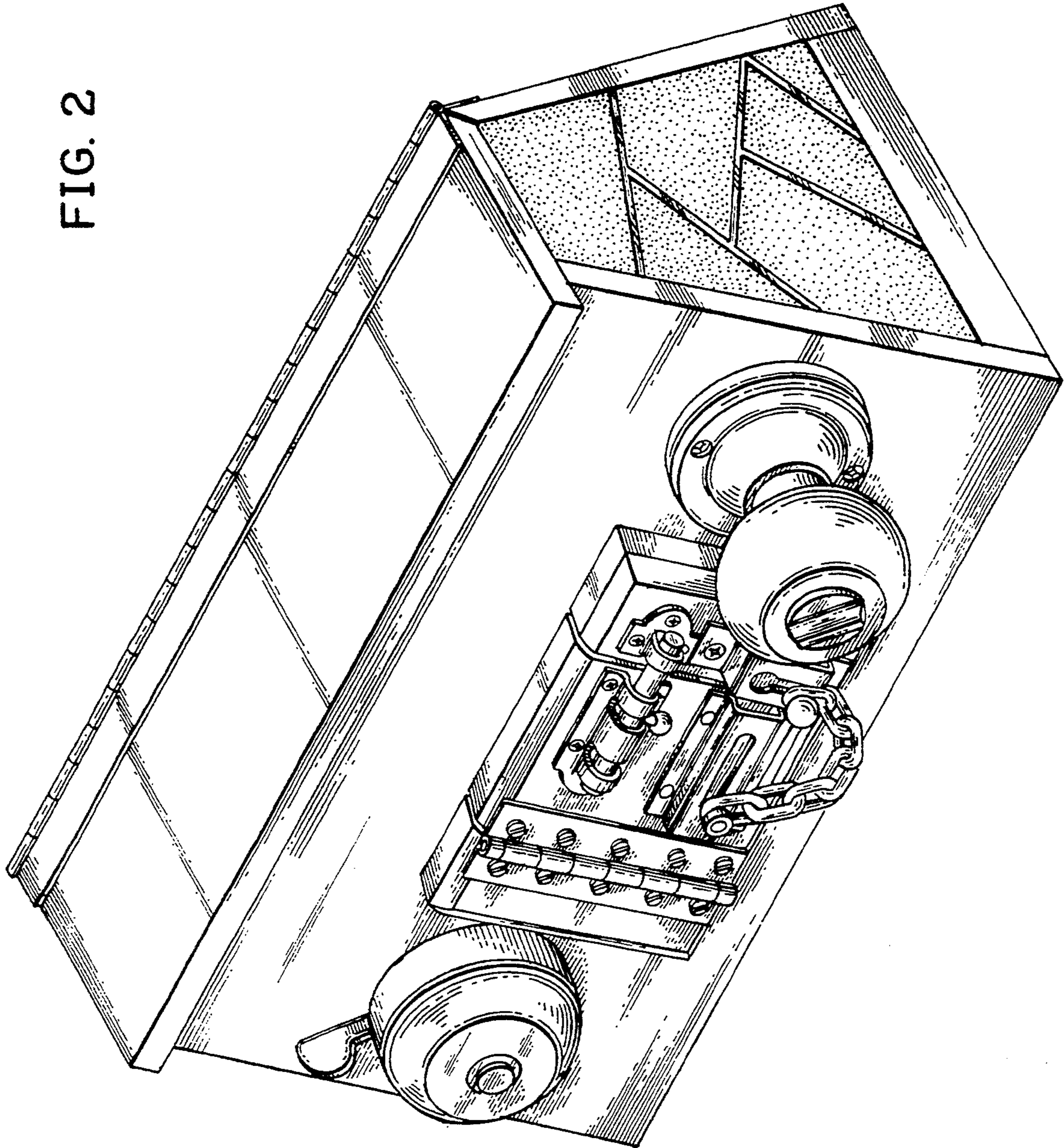


FIG. 1

FIG. 2



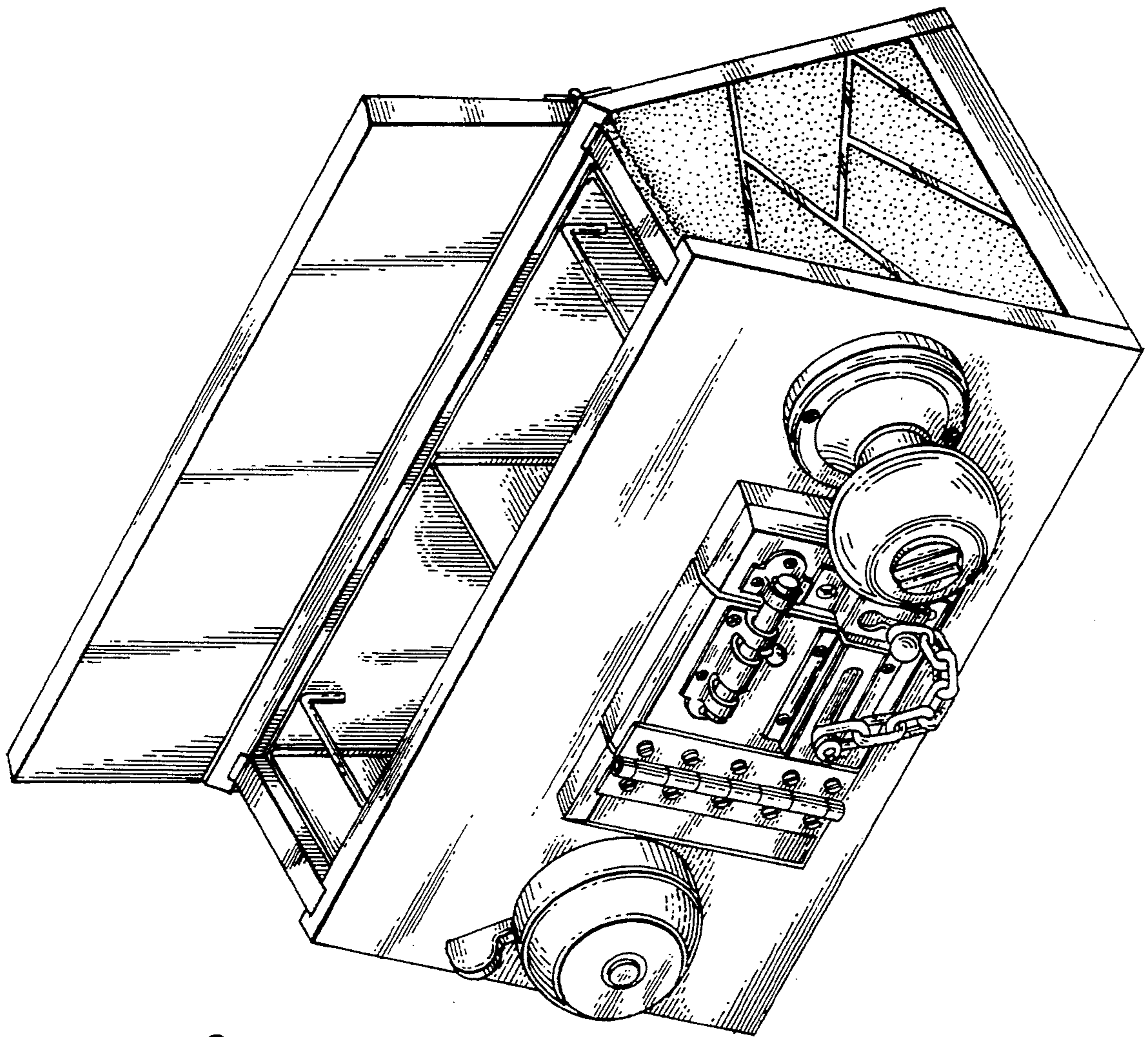


FIG. 3

FIG. 4

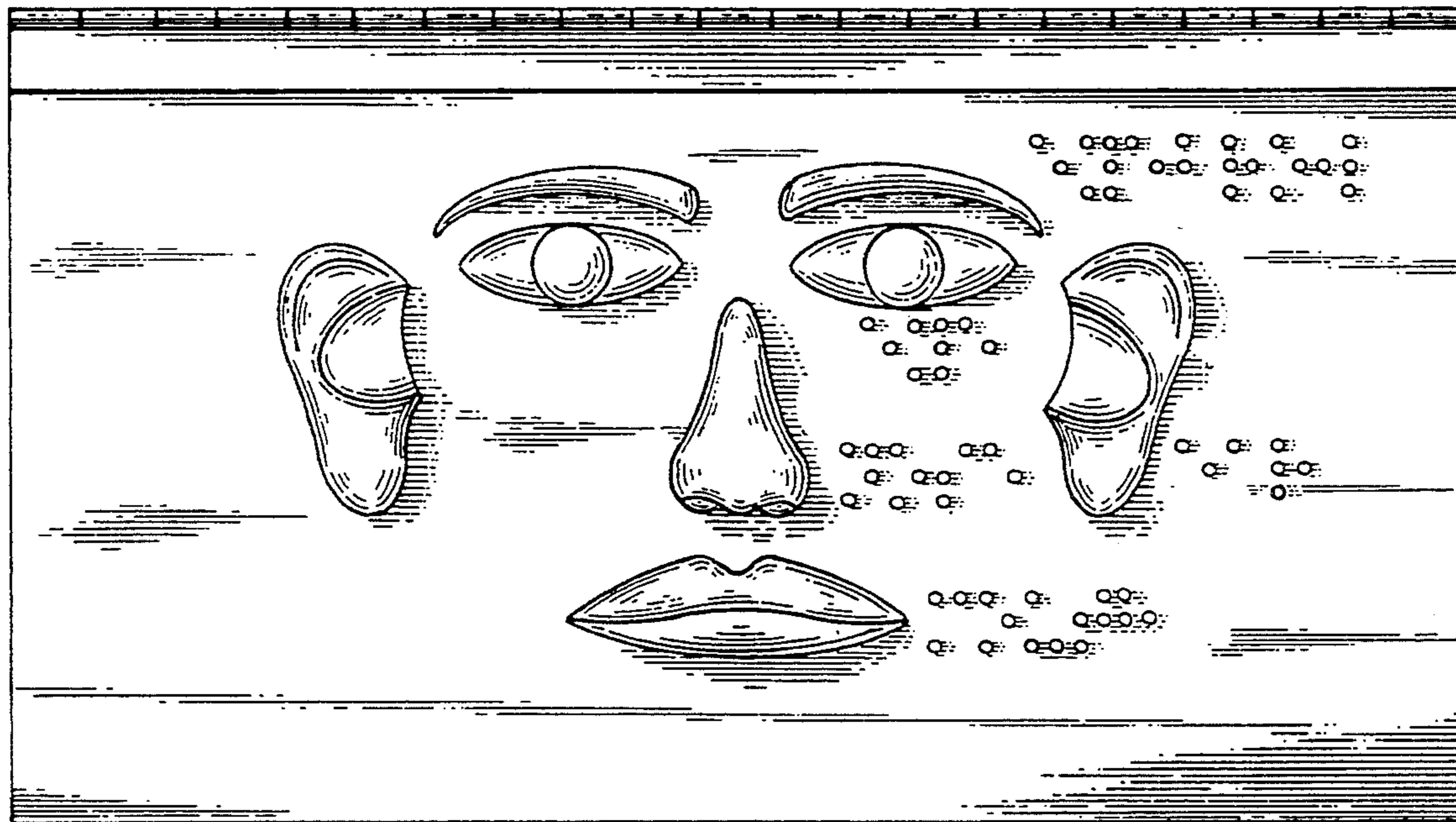
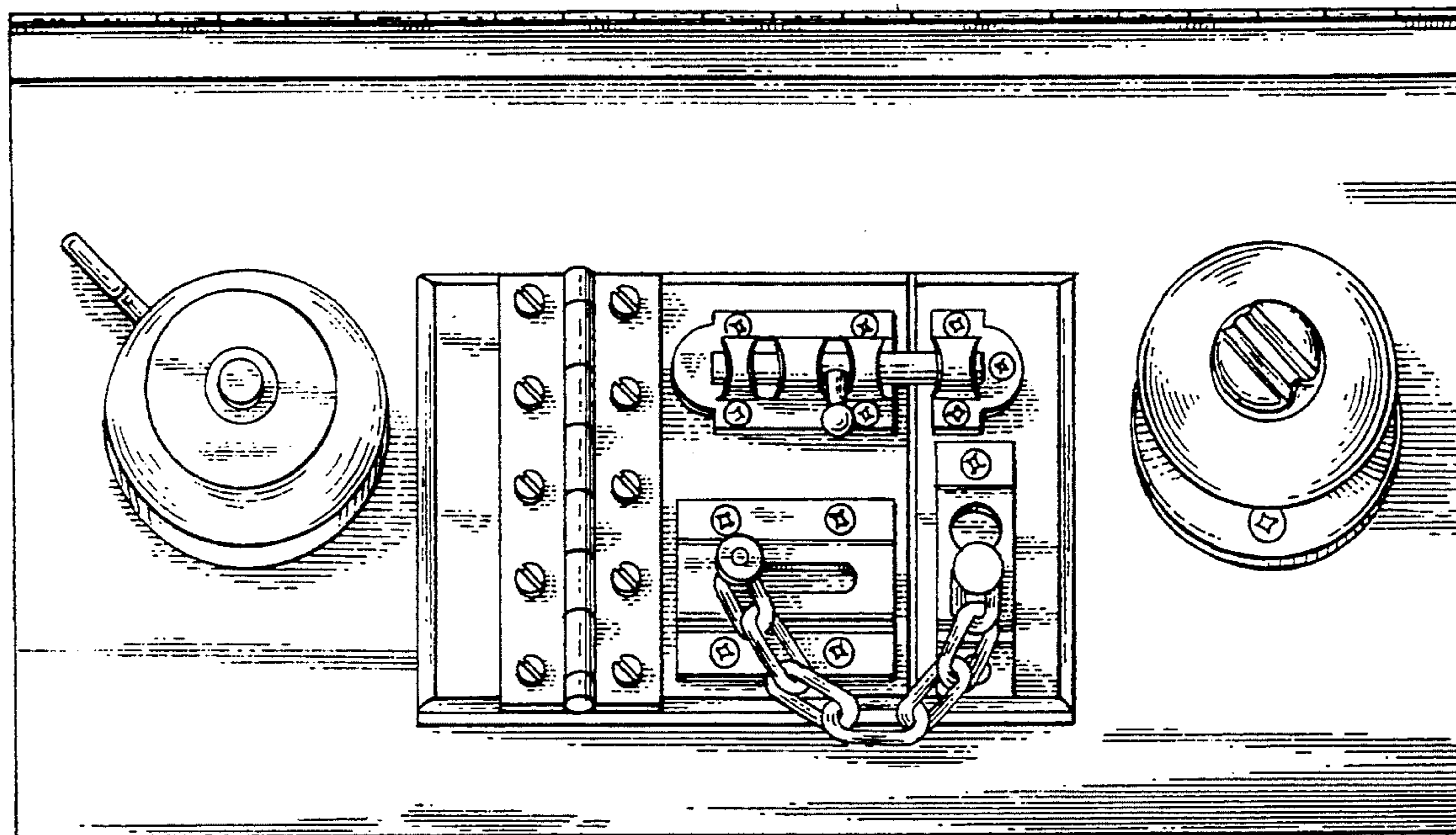


FIG. 5



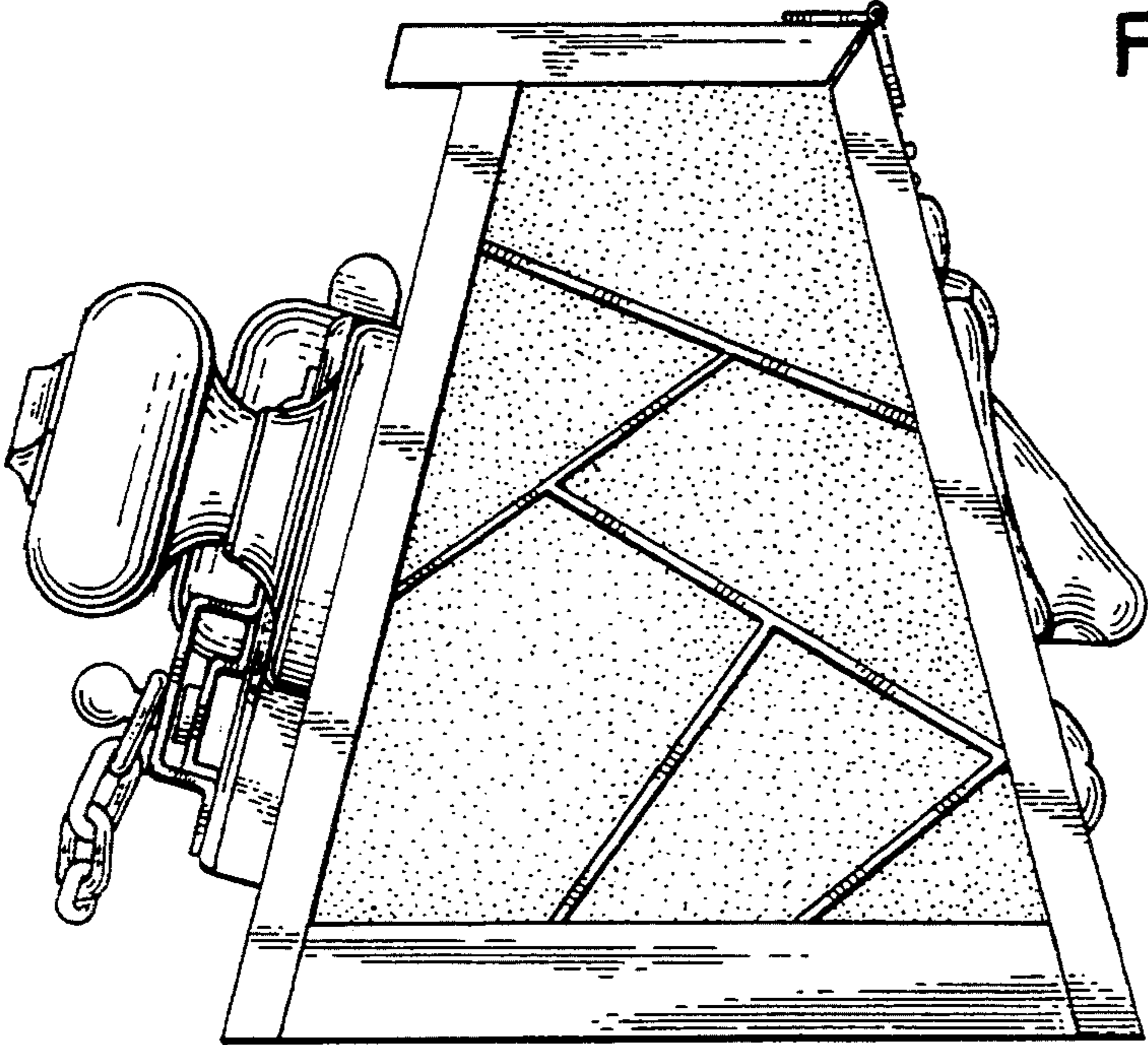


FIG. 6

FIG. 7

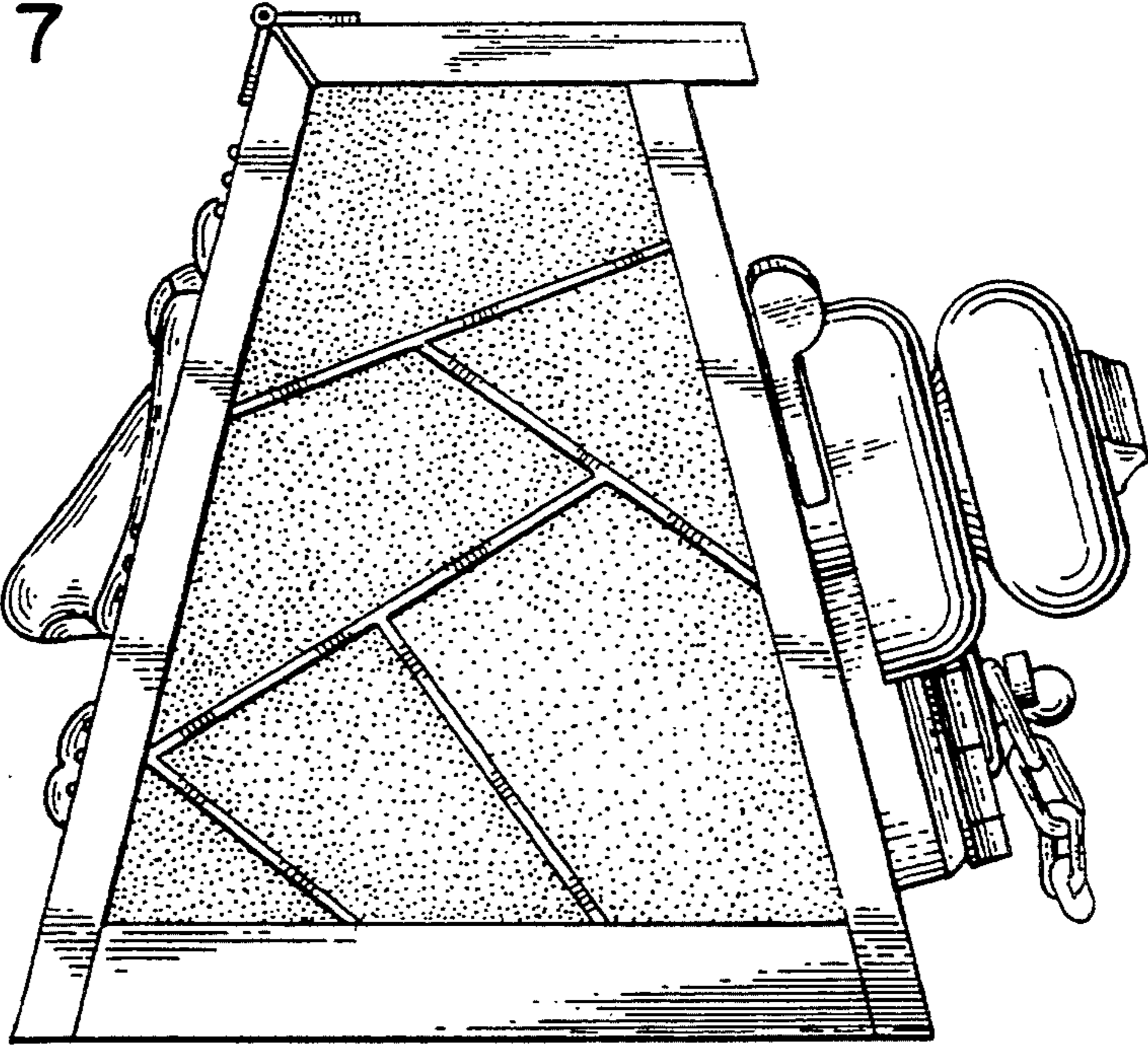


FIG. 8

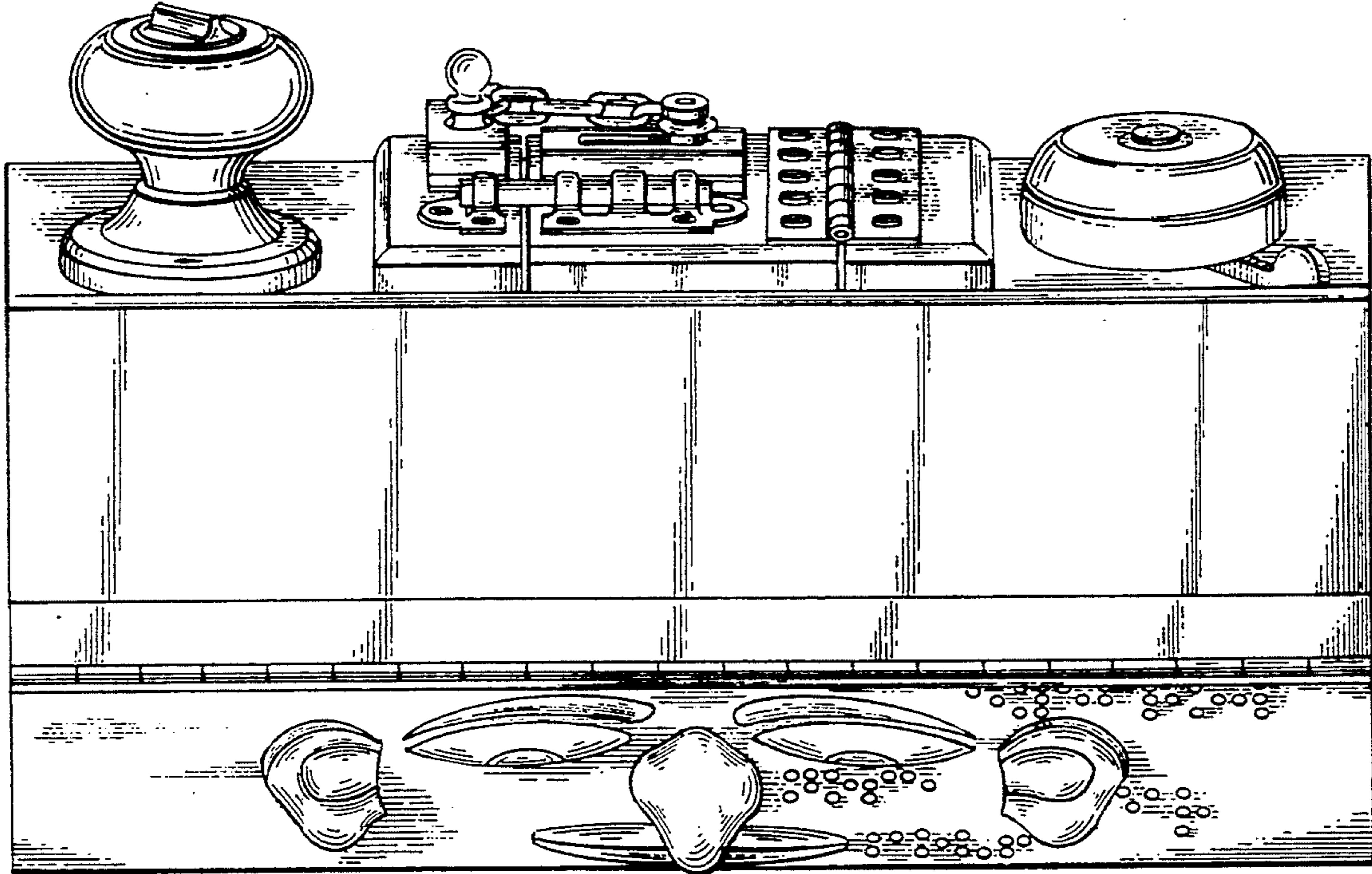


FIG. 9

