



US00D359756S

# United States Patent [19] Ely

[11] Patent Number: Des. 359,756  
[45] Date of Patent: \*\* Jun. 27, 1995

[54] BOTTLE ATTACHMENT COLLAR FOR A MICROCHIP

2,930,155 3/1960 Becker ..... 40/299  
3,144,431 9/1964 Blish ..... 40/310

[76] Inventor: Edward A. Ely, 1015 Texas Trail,  
Roanoke, Tex. 76262

Primary Examiner—James M. Gandy  
Assistant Examiner—Marcus Jackson  
Attorney, Agent, or Firm—Guy V. Manning

[\*\*] Term: 14 Years

[57] CLAIM

[21] Appl. No.: 16,545

The ornamental design for a bottle attachment collar for a microchip.

[22] Filed: Dec. 20, 1993

[52] U.S. Cl. .... D20/28

DESCRIPTION

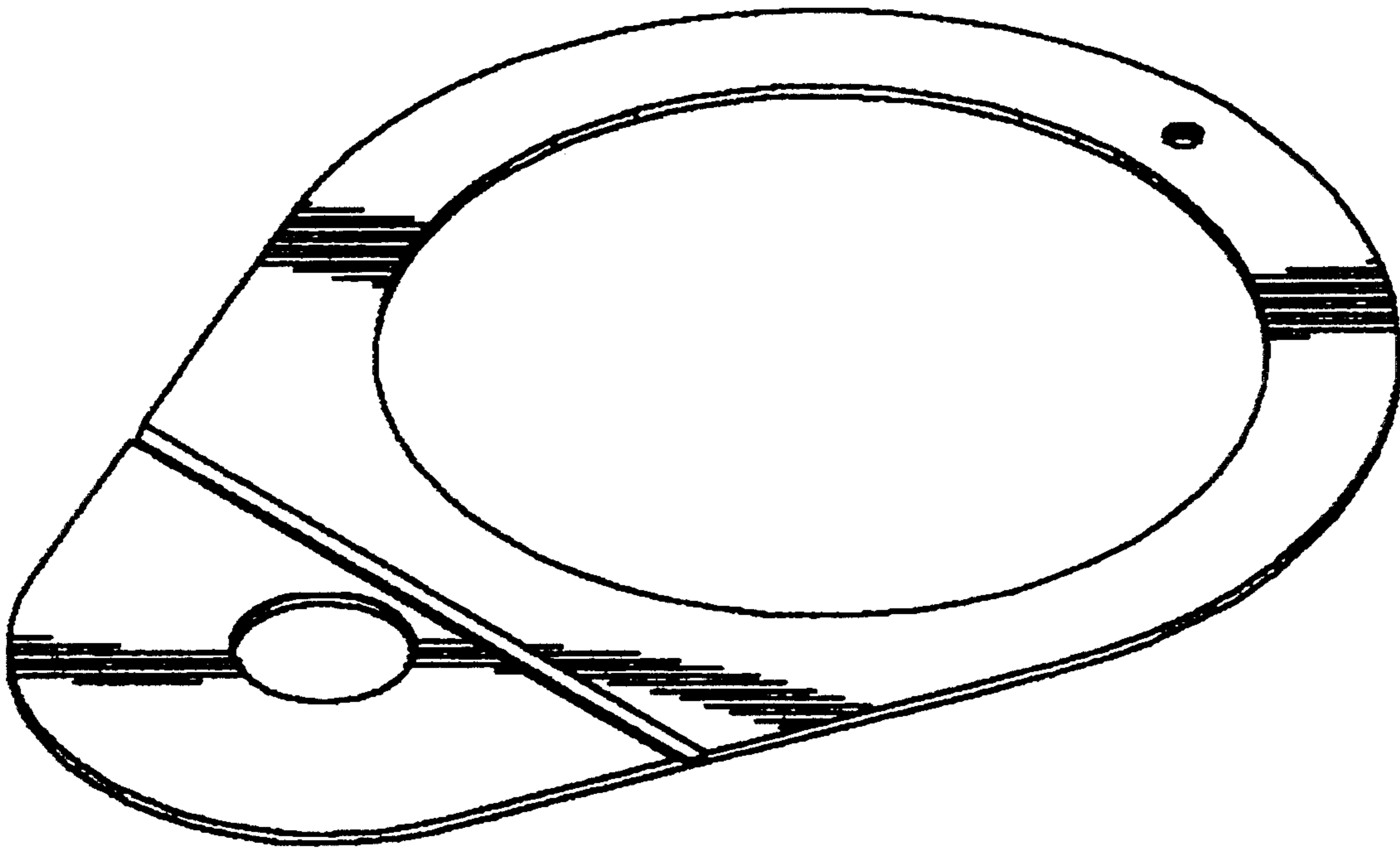
[58] Field of Search ..... D20/10, 22, 23, 24,  
D20/27, 28, 40, 42; 40/1, 299, 310, 584, 617,  
624

FIG. 1 is a perspective view of a bottle attachment collar for a microchip showing the new design; FIG. 2 is a top plan view thereof of FIG. 1; FIG. 3 is a left side elevational view thereof, as shown in FIG. 2; FIG. 4 is a right side elevational view thereof as shown in FIG. 2; FIG. 5 is a front elevational view thereof as shown in FIG. 2, the rear elevational view being the mirror image of the view in FIG. 5; and, FIG. 6 is a bottom plan view thereof of FIG. 1.

[56] References Cited

U.S. PATENT DOCUMENTS

1,477,123	12/1923	Hopkins	40/310
1,659,325	2/1928	Merrell	40/310
1,796,398	3/1931	Richardson	40/310
1,971,528	8/1934	Klebanow	40/310
2,138,361	11/1938	Snelling	40/310



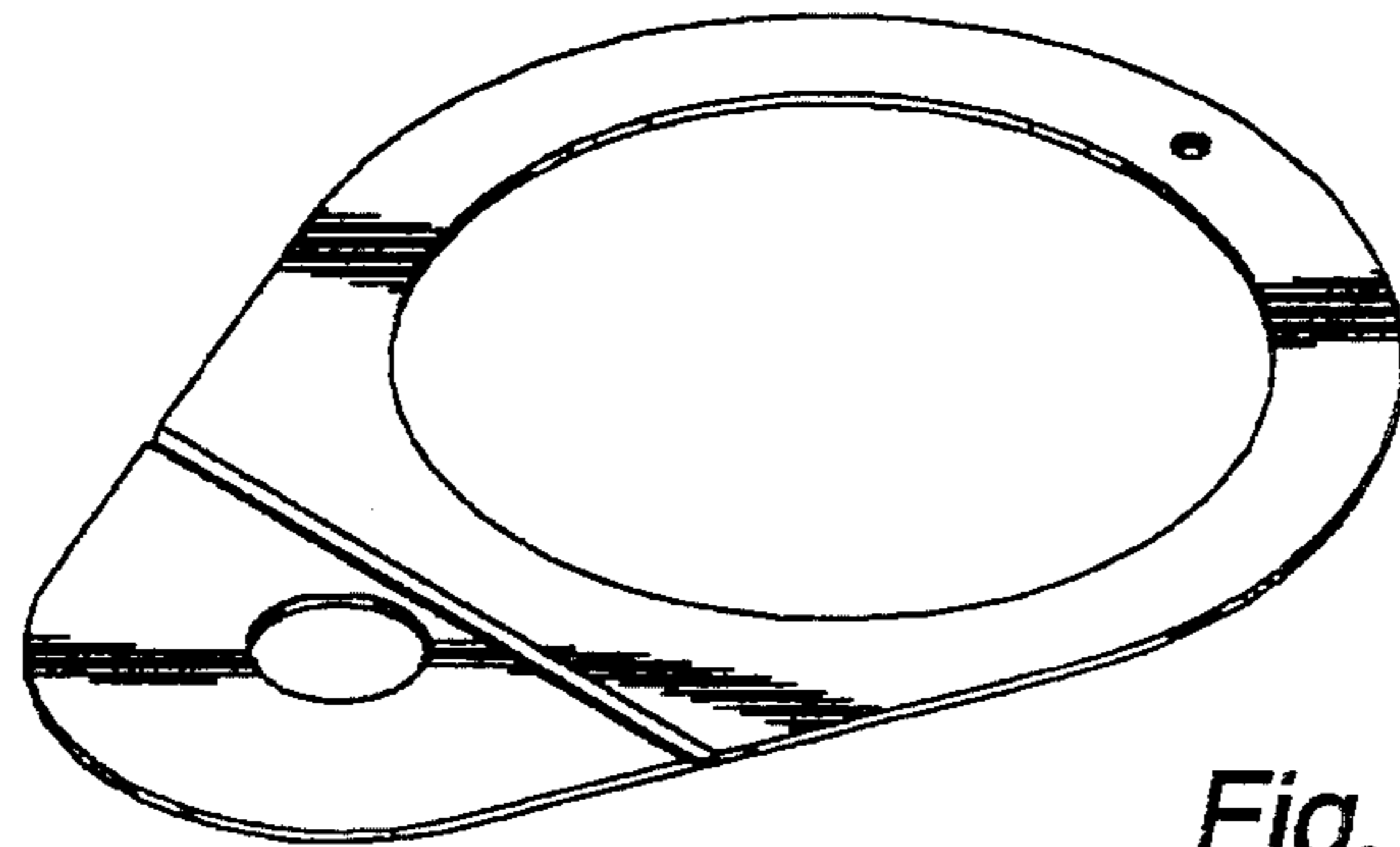


Fig. 1

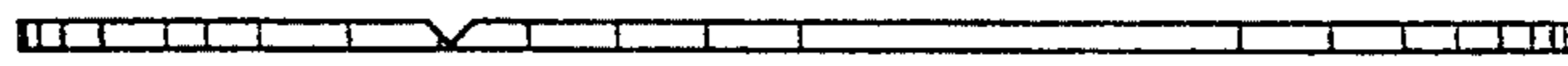


Fig. 5

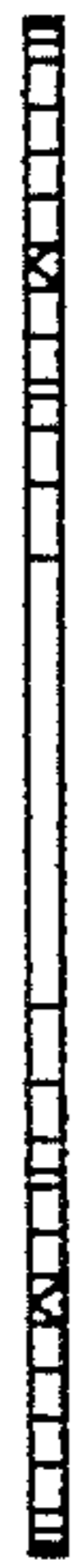


Fig. 3

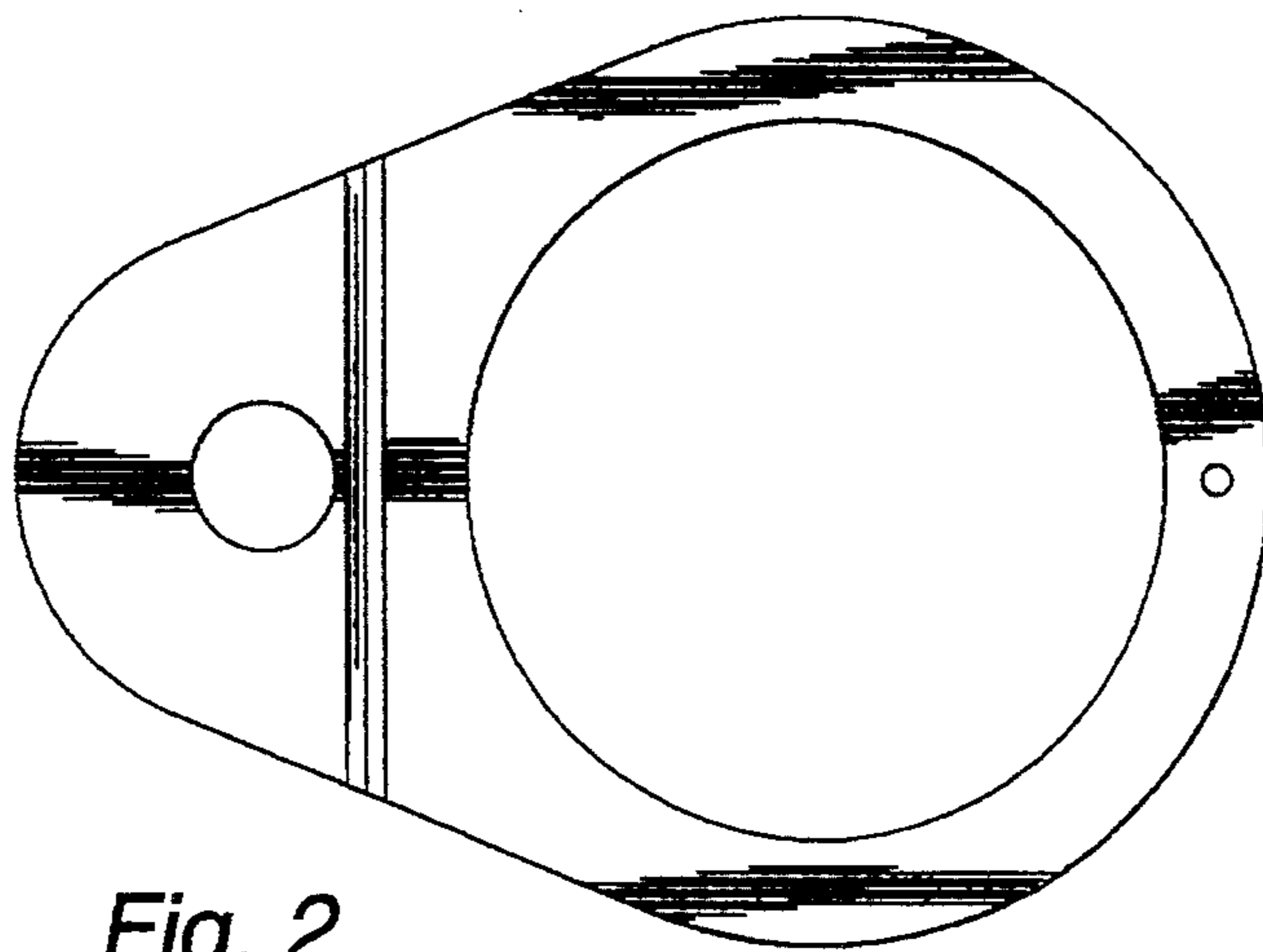


Fig. 2



Fig. 4

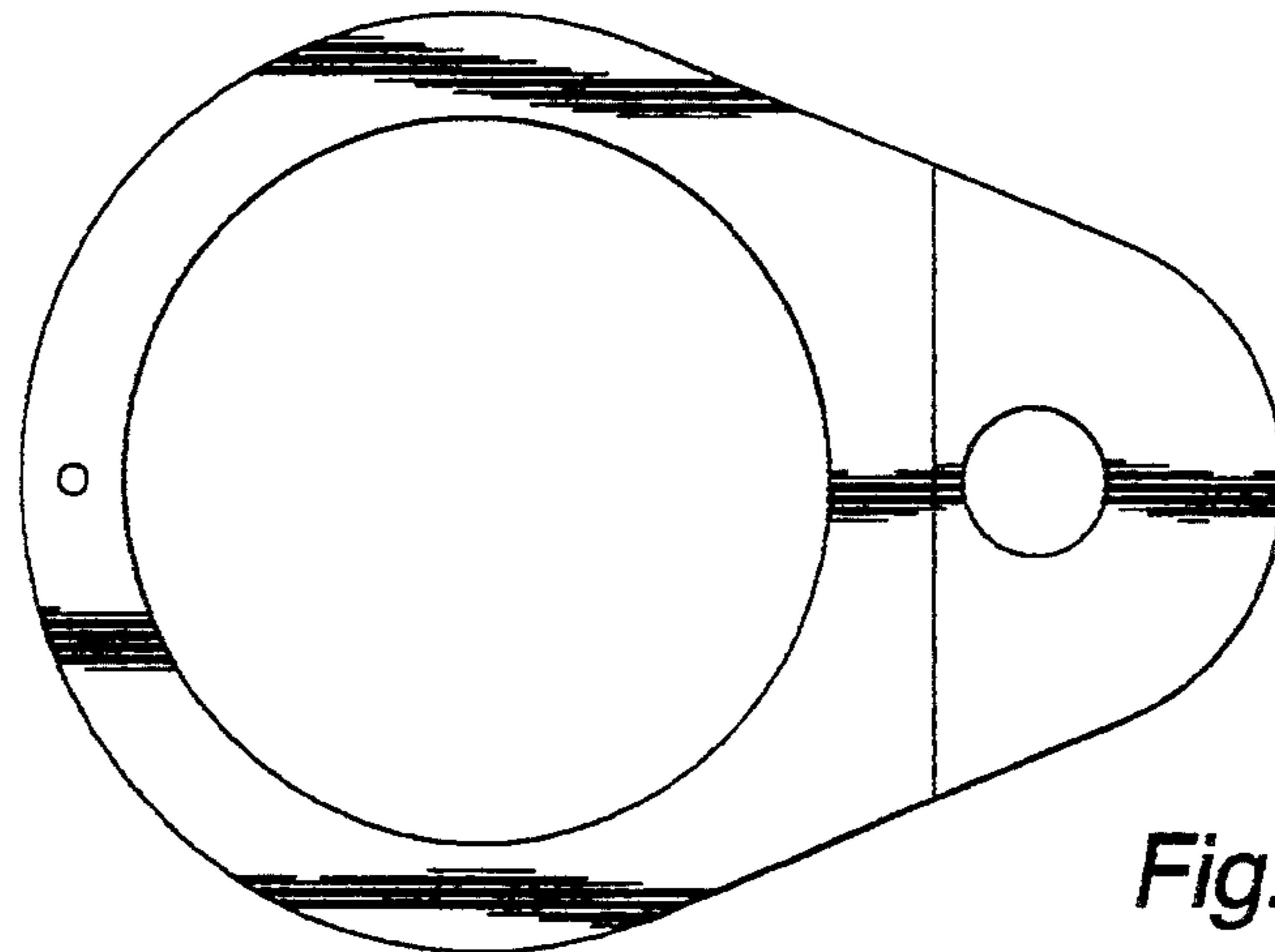


Fig. 6