



US00D359754S

# United States Patent [19]

[11] Patent Number: **Des. 359,754**

Hashizume et al.

[45] Date of Patent: **\*\* Jun. 27, 1995**

[54] **DEVELOPING UNIT FOR FORMING AN IMAGE**

4,930,684 6/1990 Patterson ..... D18/43 X

[75] Inventors: **Masahiro Hashizume, Yao; Hiroshi Ishida, Ikoma; Masayuki Mizuno, Osaka, all of Japan**

*Primary Examiner*—Alan P. Douglas  
*Assistant Examiner*—Aaron D. Veynar  
*Attorney, Agent, or Firm*—Spencer, Frank & Schneider

[73] Assignee: **Mita Industrial Co., Ltd., Osaka, Japan**

[57] **CLAIM**

[\*\*] Term: **14 Years**

The ornamental design for a developing unit for forming an image, as shown.

[21] Appl. No.: **13,546**

**DESCRIPTION**

[22] Filed: **Sep. 27, 1993**

[30] **Foreign Application Priority Data**

FIG. 1 is a front elevational view of a developing unit for forming an image;  
FIG. 2 is a left side elevational view of a developing unit for forming an image;  
FIG. 3 is a top plan view of a developing unit for forming an image;  
FIG. 4 is a rear elevational view of a developing unit for forming an image;  
FIG. 5 is a right side elevation view of a developing unit for forming an image;  
FIG. 6 is a bottom plan view of a developing unit for forming an image; and,  
FIG. 7 is a top, front and right side perspective view of a developing unit for forming an image.

Apr. 9, 1993 [JP] Japan ..... 5-10584

[52] U.S. Cl. .... **D18/43; D18/40**

[58] Field of Search ..... **D18/36, 40, 43; 222/DIG. 1; 355/206, 208, 245, 260, 298**

[56] **References Cited**

**U.S. PATENT DOCUMENTS**

D. 286,542 11/1986 Saito ..... D18/43  
4,523,615 6/1985 Feenstra et al. .... 355/260 X

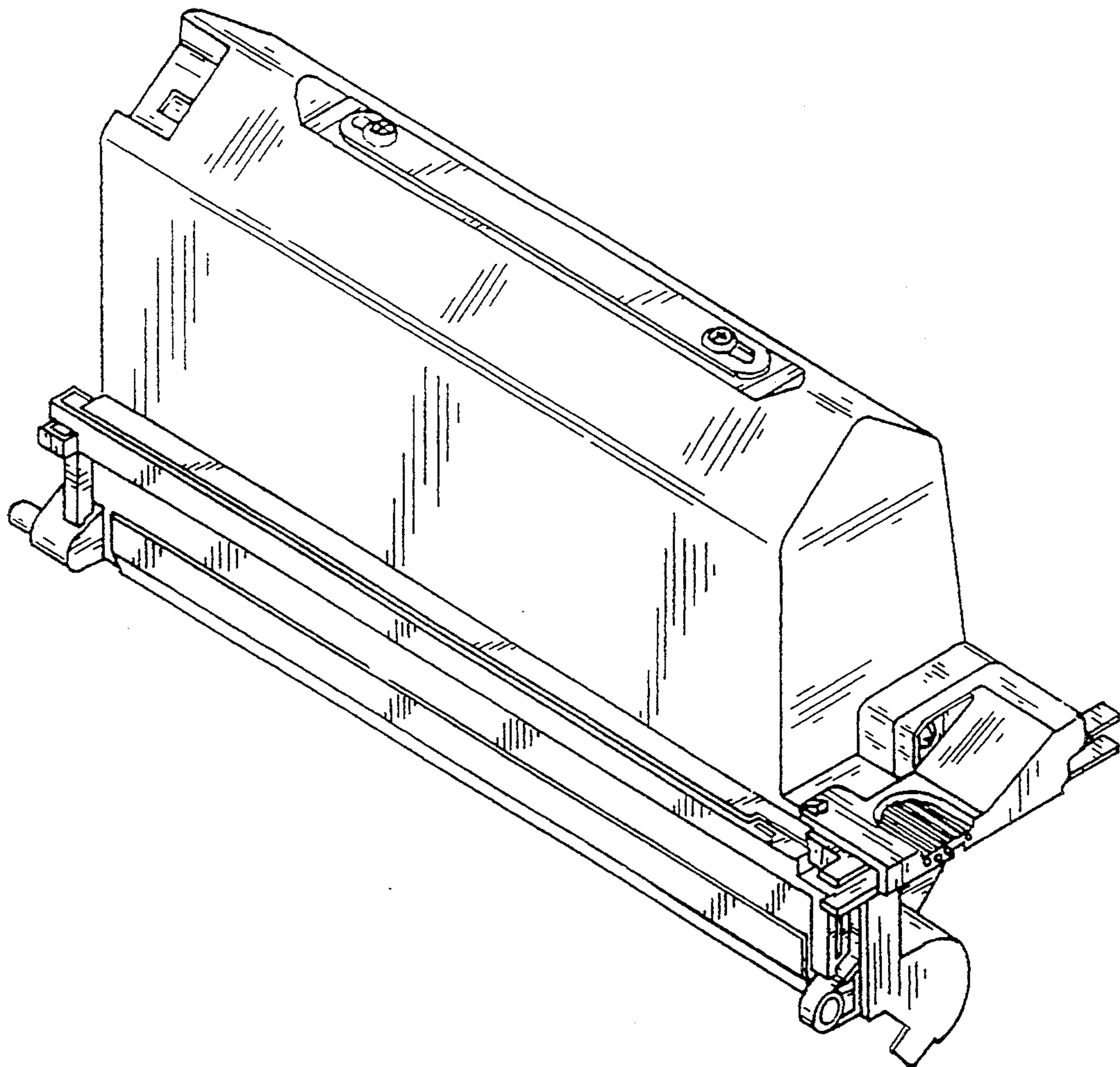


FIG. 1

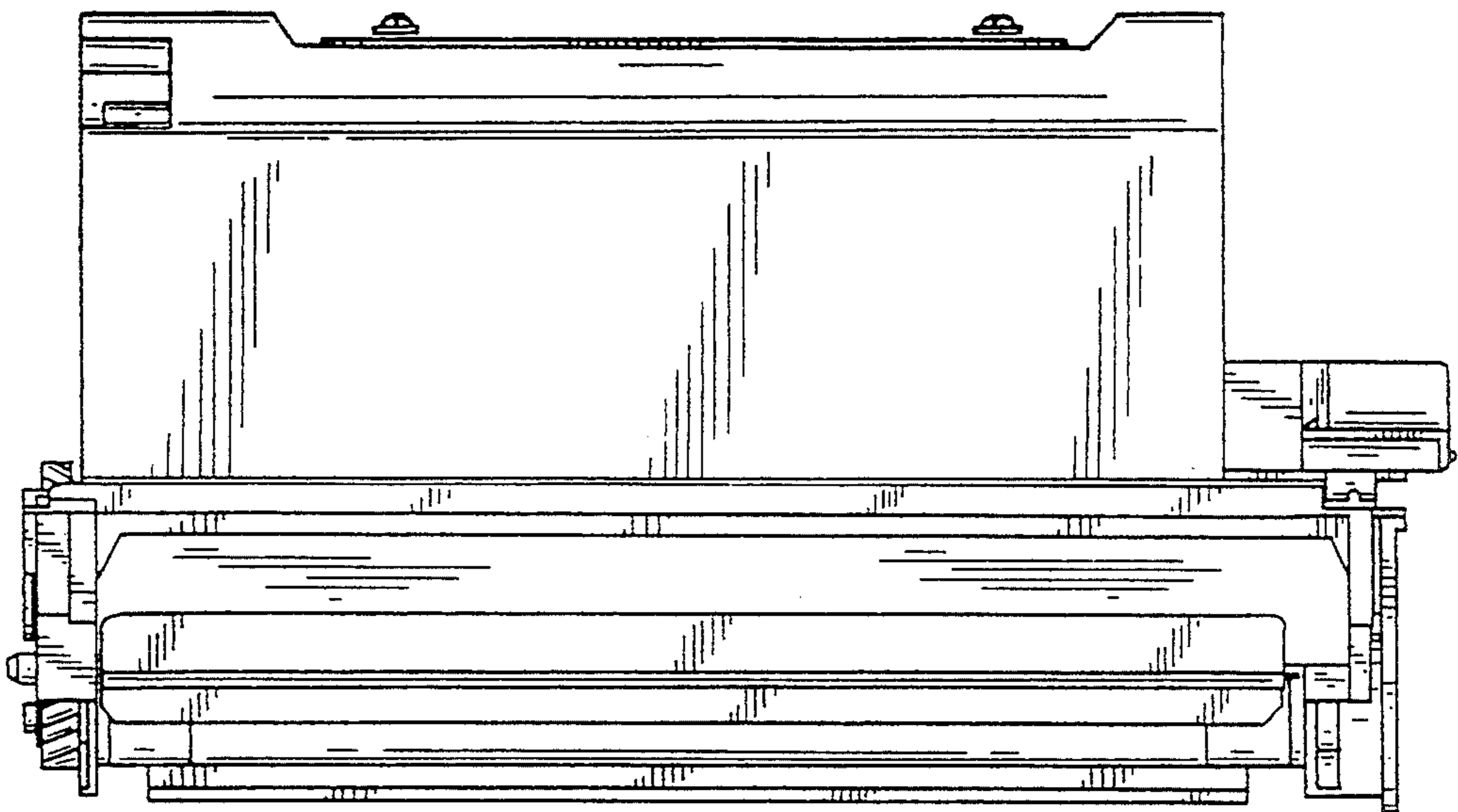


FIG. 2

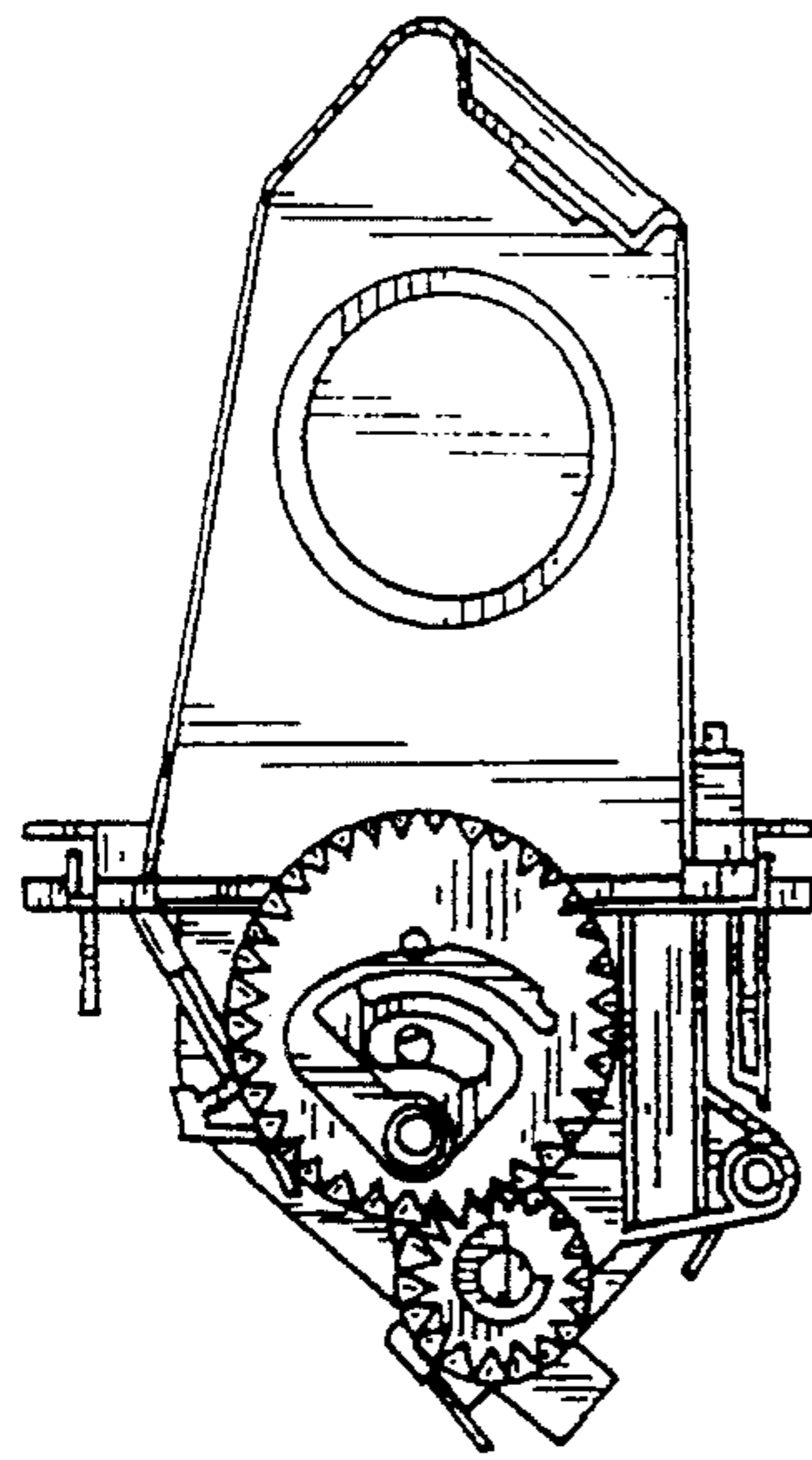


FIG. 5

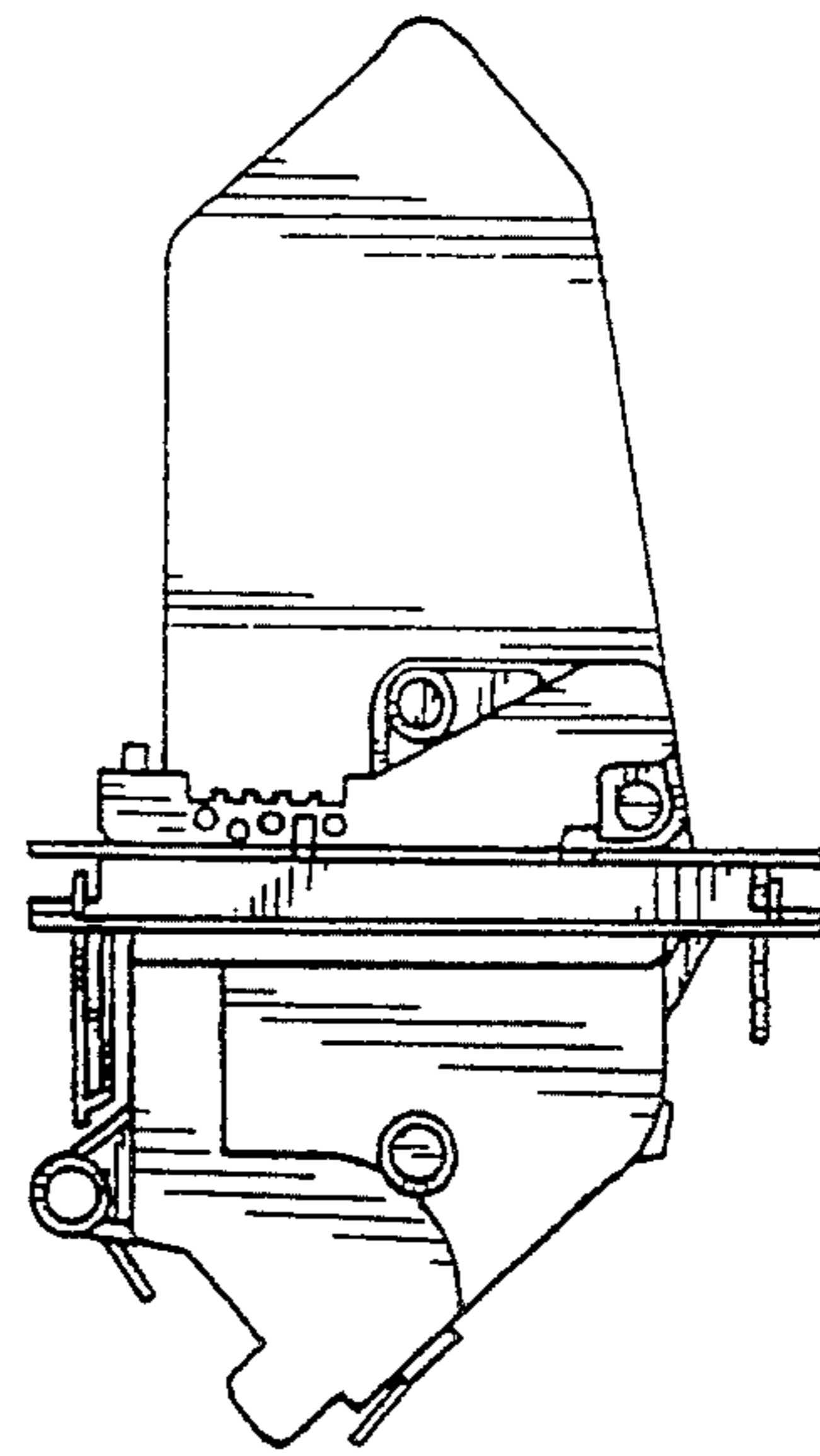


FIG. 3

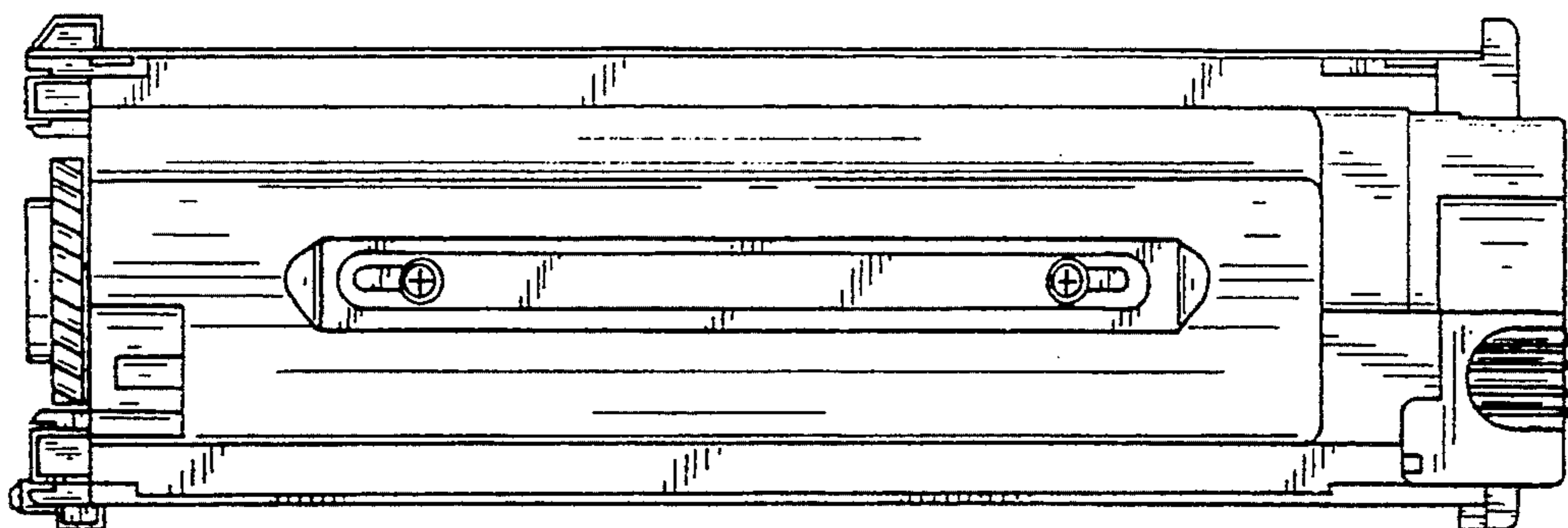


FIG. 4

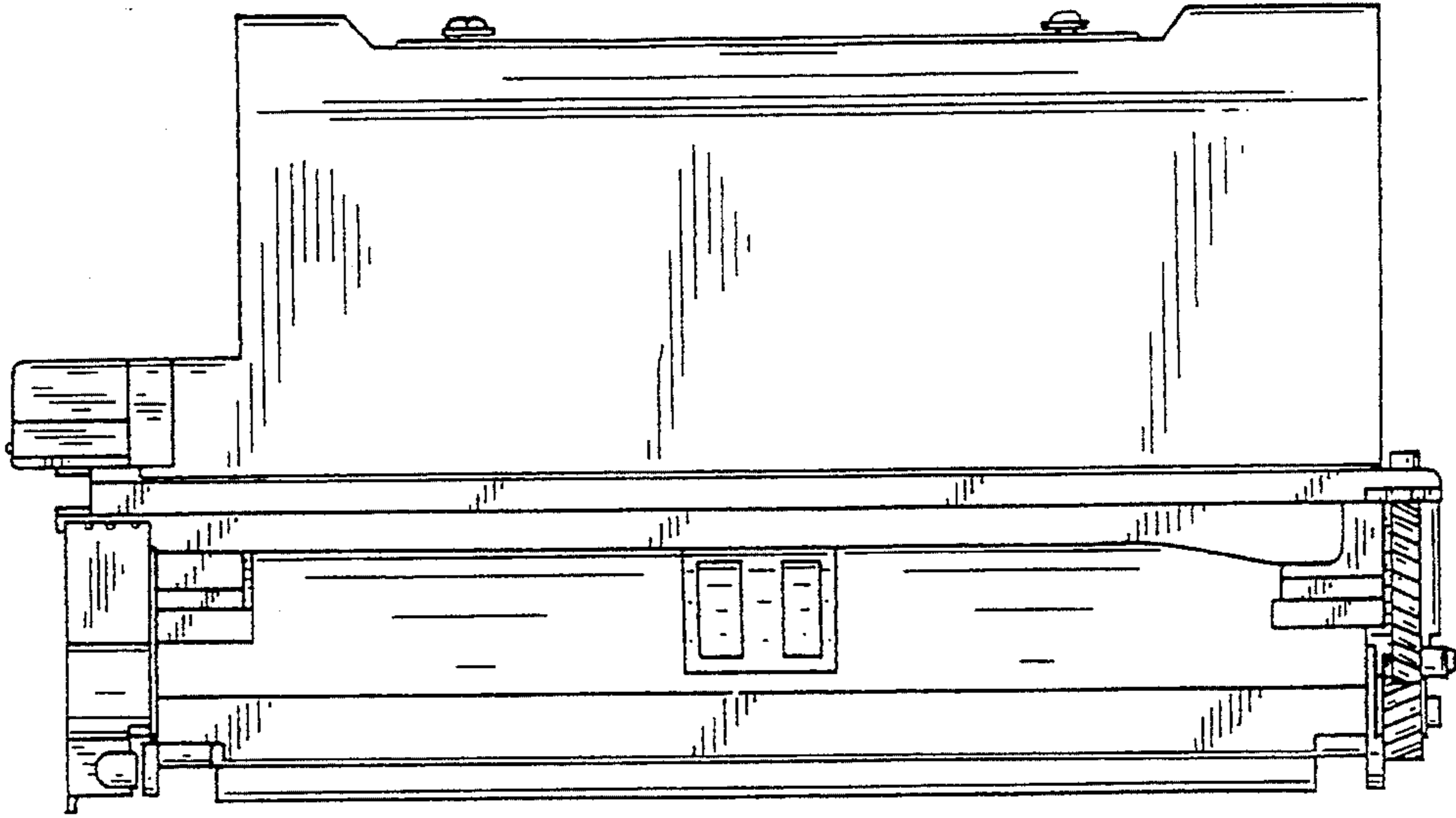


FIG. 6

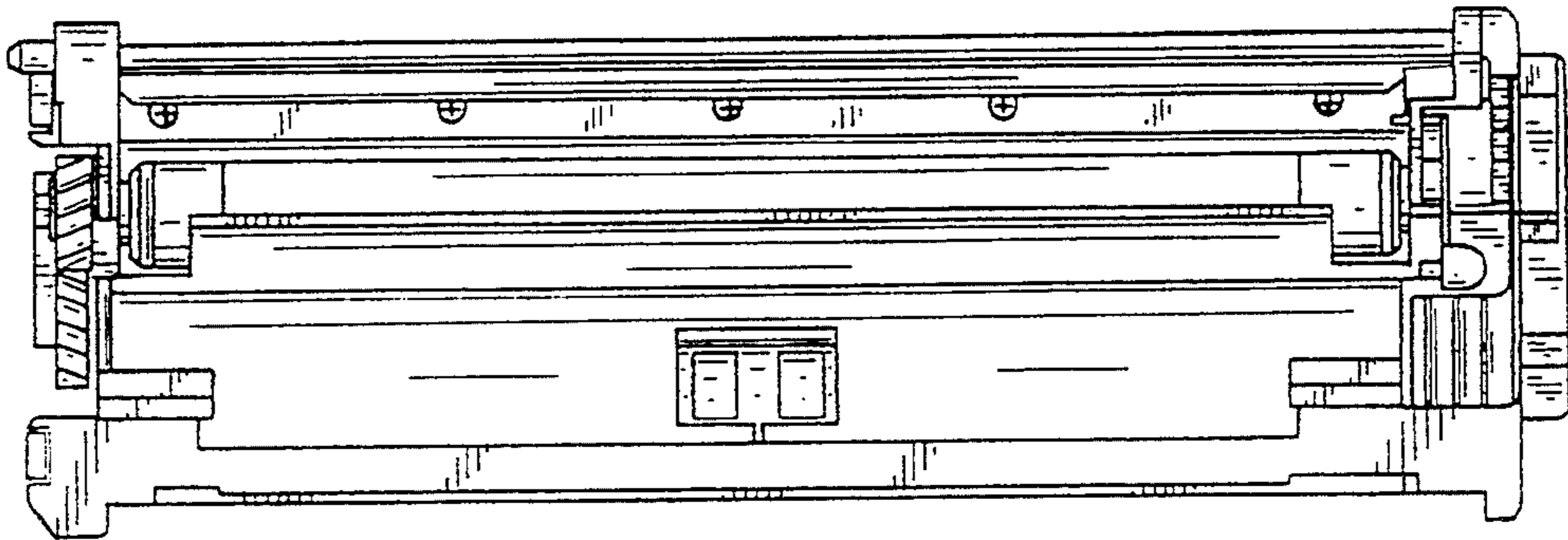


FIG. 7

