



US00D359753S

United States Patent [19]

[11] Patent Number: **Des. 359,753**

Salinas et al.

[45] Date of Patent: **** Jun. 27, 1995**

[54] LABEL PRINTER

[75] Inventors: **Ricardo Salinas**, San Francisco;
Michael Nuttall, Portola Valley,
both of Calif.

[73] Assignee: **Smith Corona Corporation**, Cortland,
N.Y.

[**] Term: **14 Years**

[21] Appl. No.: **18,252**

[22] Filed: **Feb. 2, 1994**

[52] U.S. Cl. **D18/19; D19/60;**
D18/50; D18/52

[58] Field of Search **D18/50, 19, 51-52,**
D18/54, 55; 400/690.1-690.4, 613,
613.1-613.4, 690-694; 101/93.4, 269, 91;
347/222, 245, 264, 170, 108; D14/106; D19/60

[56] References Cited

U.S. PATENT DOCUMENTS

D. 298,624	11/1988	Shiozawa et al.	18/52
D. 332,462	1/1993	Takahashi	D18/19
D. 335,653	5/1993	Rak	D18/52
D. 336,441	4/1993	Meyer	D18/52
D. 337,780	7/1993	Thom	D18/52
D. 344,752	3/1994	Watanabe et al.	D18/52
D. 344,753	1/1994	Watanabe et al.	D18/50
D. 350,764	9/1994	Gray et al.	D18/52
D. 354,742	1/1995	Hamilton	D19/60
D. 355,898	2/1995	Verderame	D19/60
4,004,672	1/1977	Hirano et al.	400/124
4,253,774	3/1981	Hanakata et al.	400/120
5,150,130	9/1992	Sato	400/690.4

FOREIGN PATENT DOCUMENTS

4022654 1/1992 Japan 400/6115.2

OTHER PUBLICATIONS

Casio Nameland KL-500 brochure, ©Dec. 1993.
 Casio Nameland KL-5000 brochure; published Nov. 1993.
 King Jim Co., Ltd., brochure for "Tepra Pro"-SR606, Nov. 1992.
 Best Catalog; Oct. '89; p. 11; Franklin WM1000 Word-Master Electronic Thesaurus Spelling Corrector.
 Bennett Brothers, Inc. Catalog; p. 401; Franklin Language Master LM4000 Electronic Dictionary.
 King Jim brochure for Tepra TR66 Label Printer; May 1992.
 Casio KL2000 Electronic Labeling System Copy of photograph 1992.
 Brother P Touch III Electronic Labeling System Copy of photograph 1992.

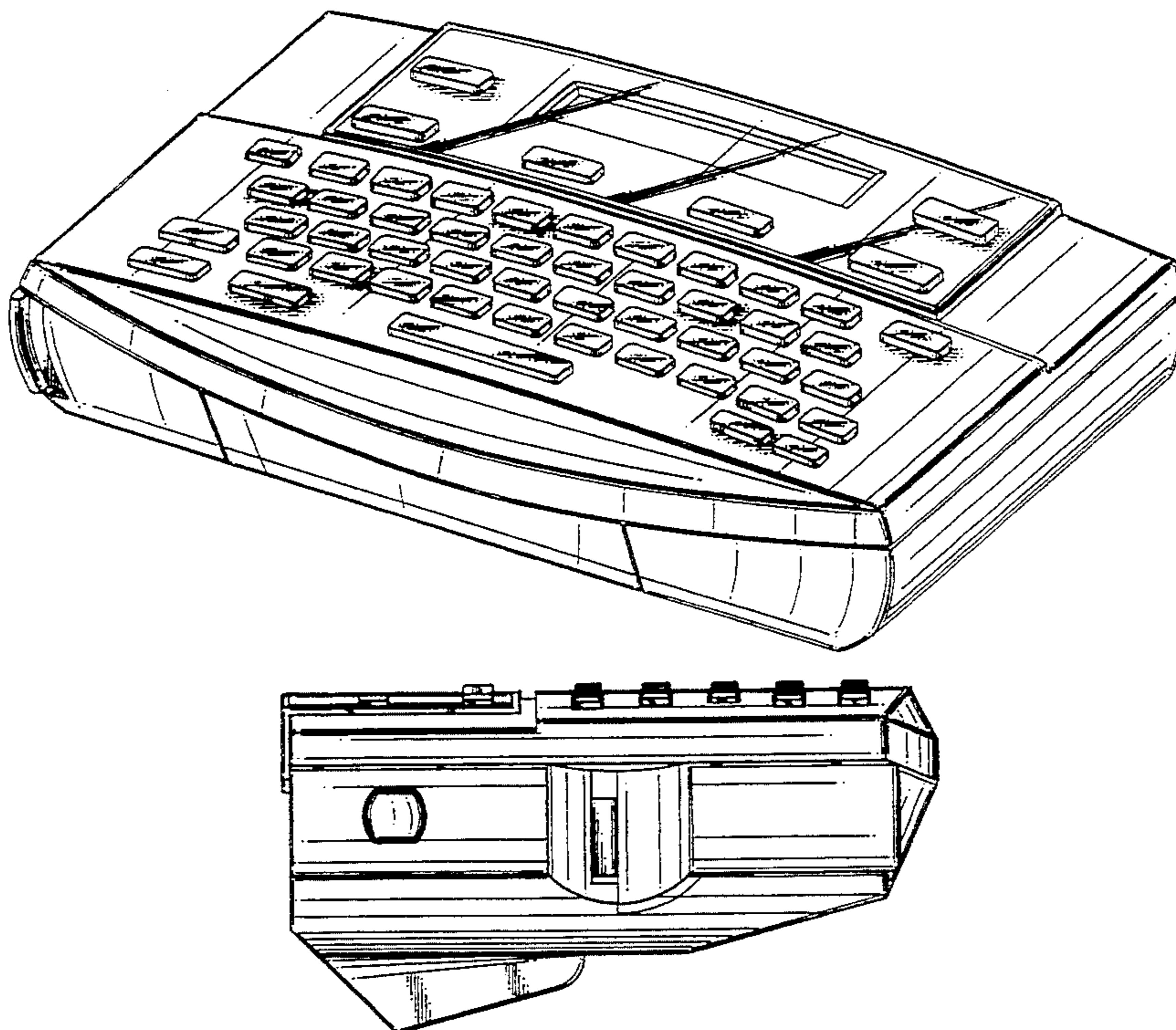
Primary Examiner—Cathy Anne MacCormac

[57] CLAIM

The ornamental design for a label printer, as shown.

DESCRIPTION

FIG. 1 is a top, front, right side perspective view of a label printer showing our new design;
 FIG. 2 is a top plan view thereof;
 FIG. 3 is a bottom plan view thereof;
 FIG. 4 is a front elevational view thereof;
 FIG. 5 is a rear elevational view thereof;
 FIG. 6 is a left side elevational view thereof; and,
 FIG. 7 is a right side elevational view thereof.



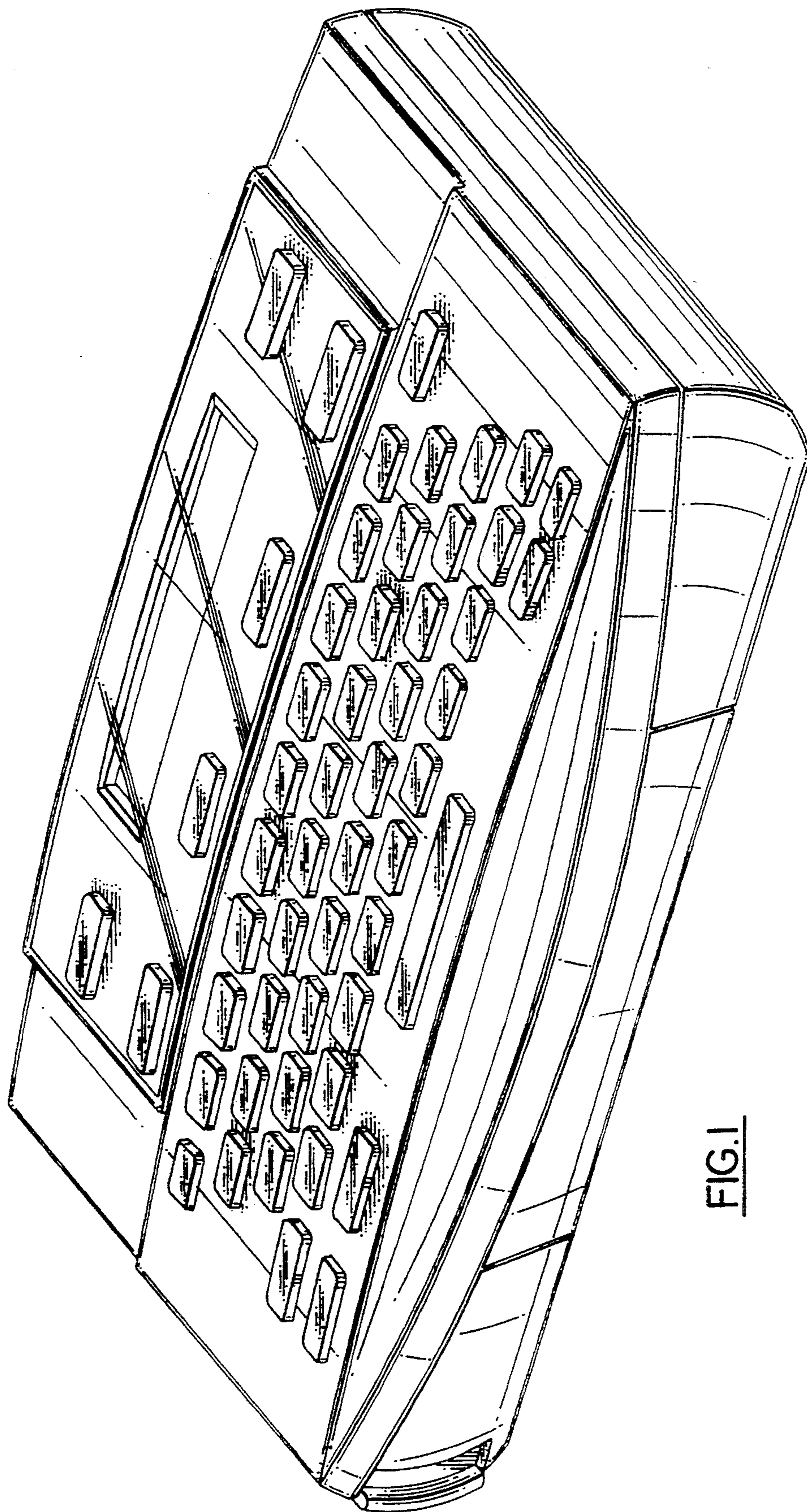


FIG. 1

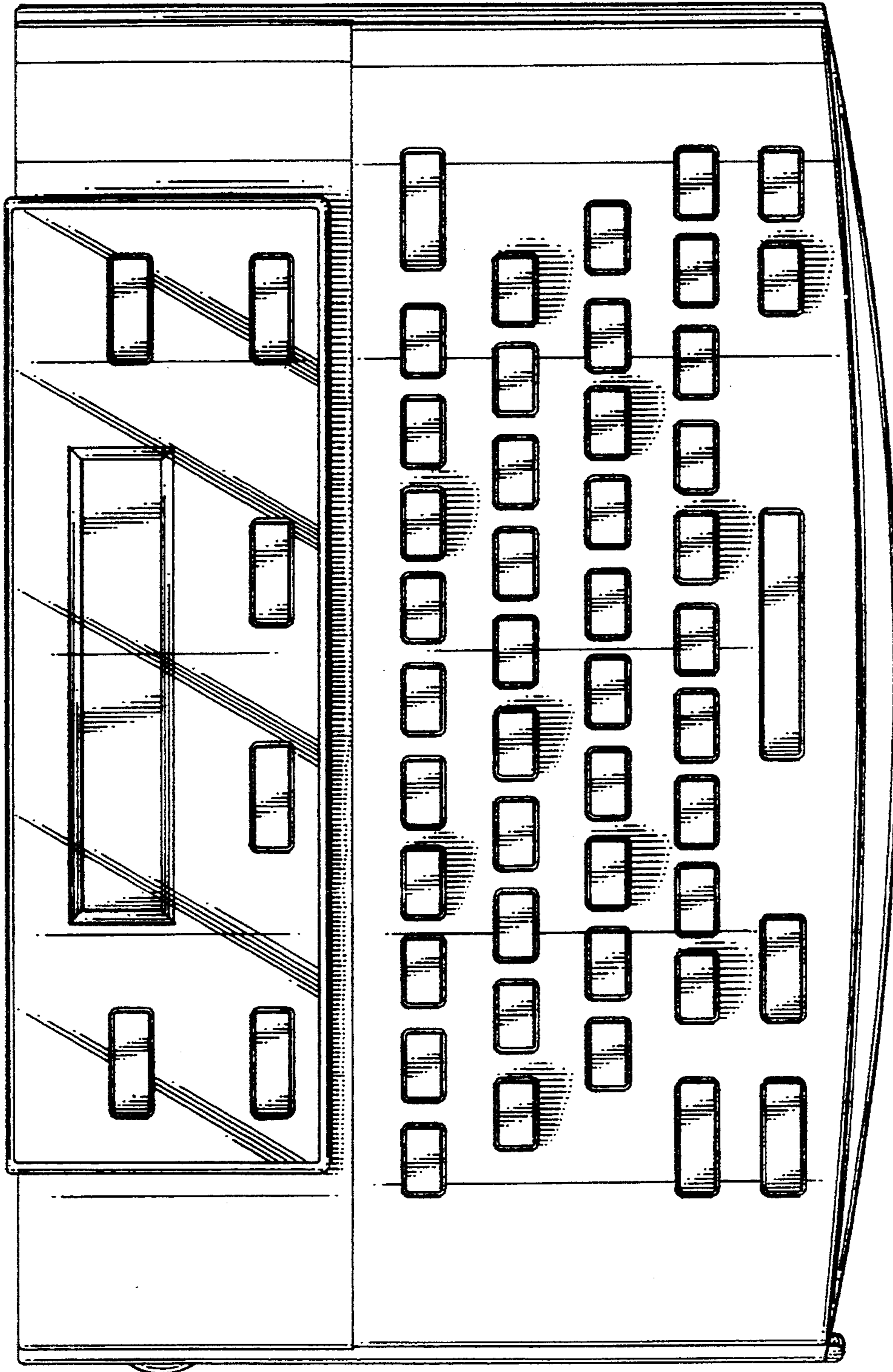


FIG. 2

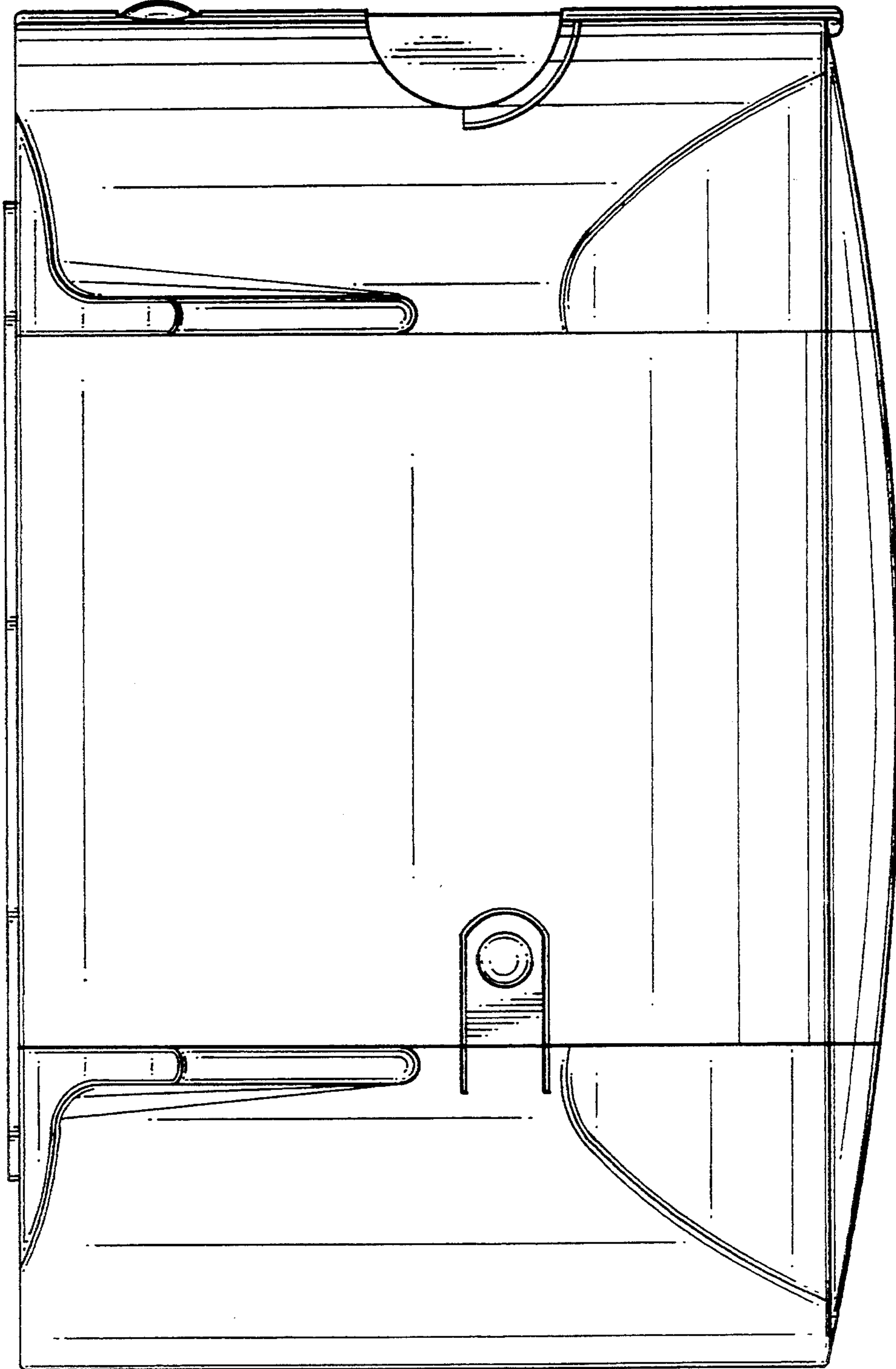


FIG. 3

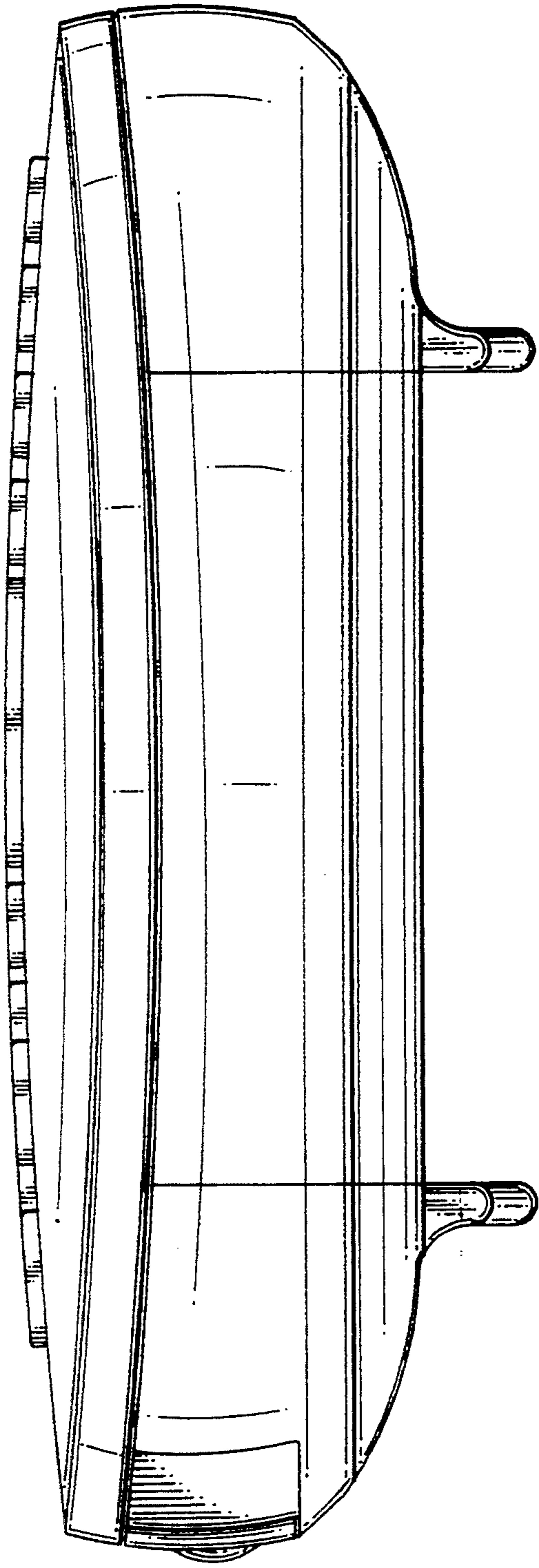


FIG. 4

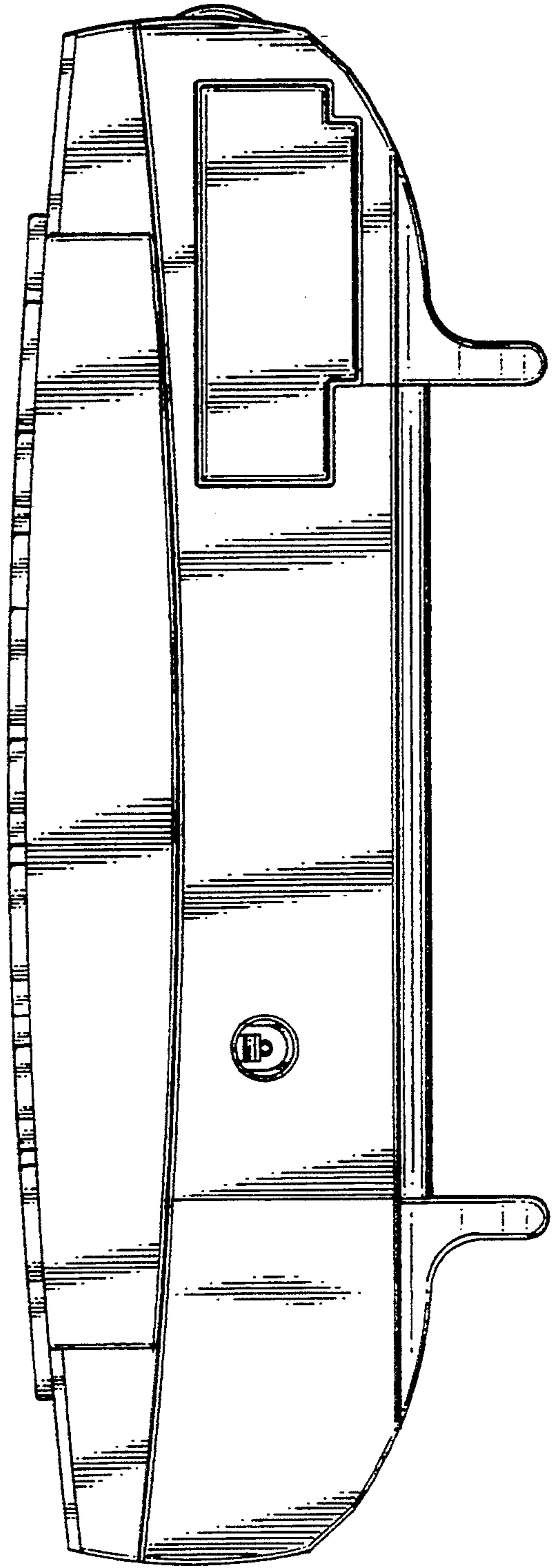


FIG. 5

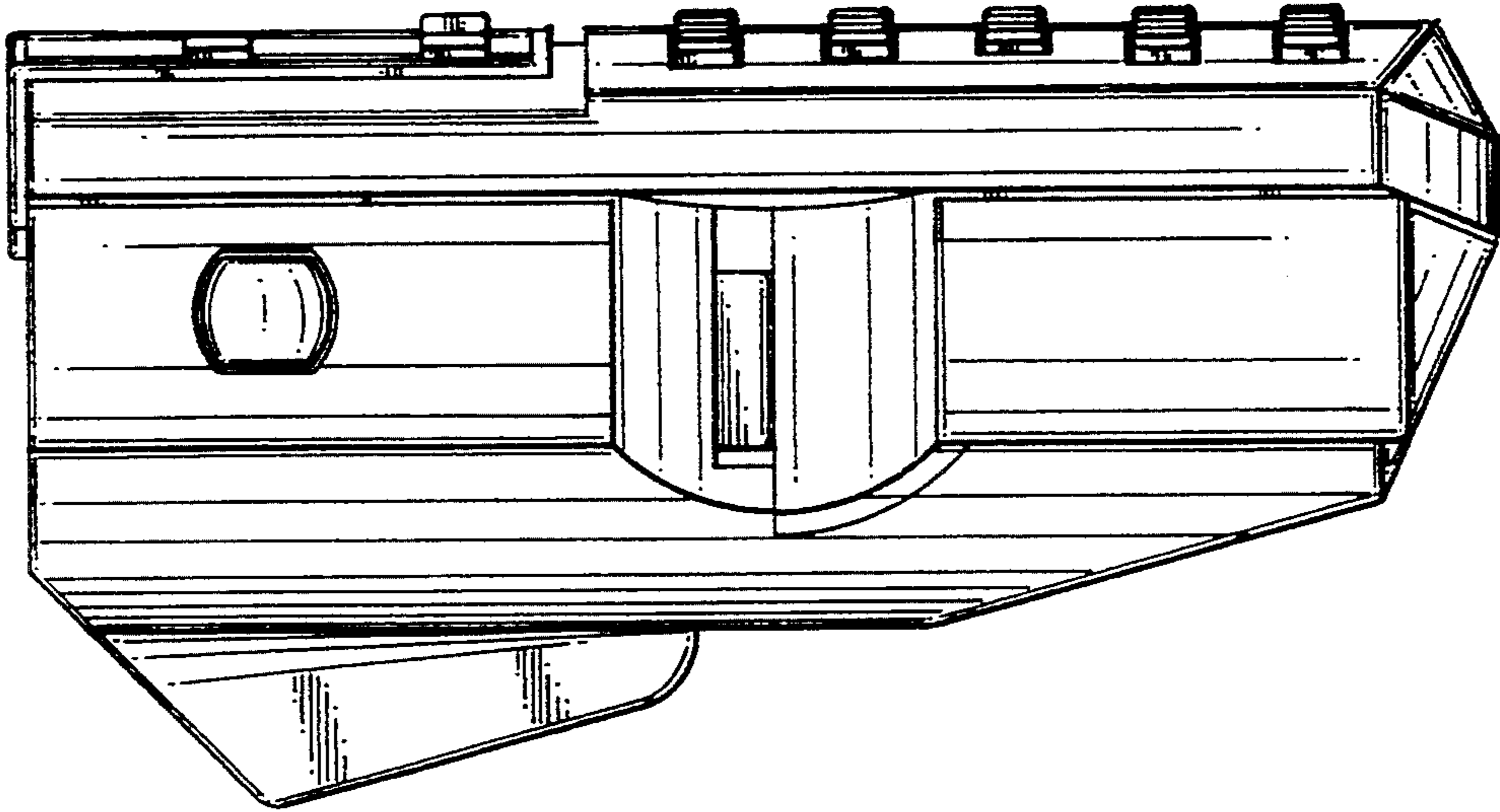


FIG. 6

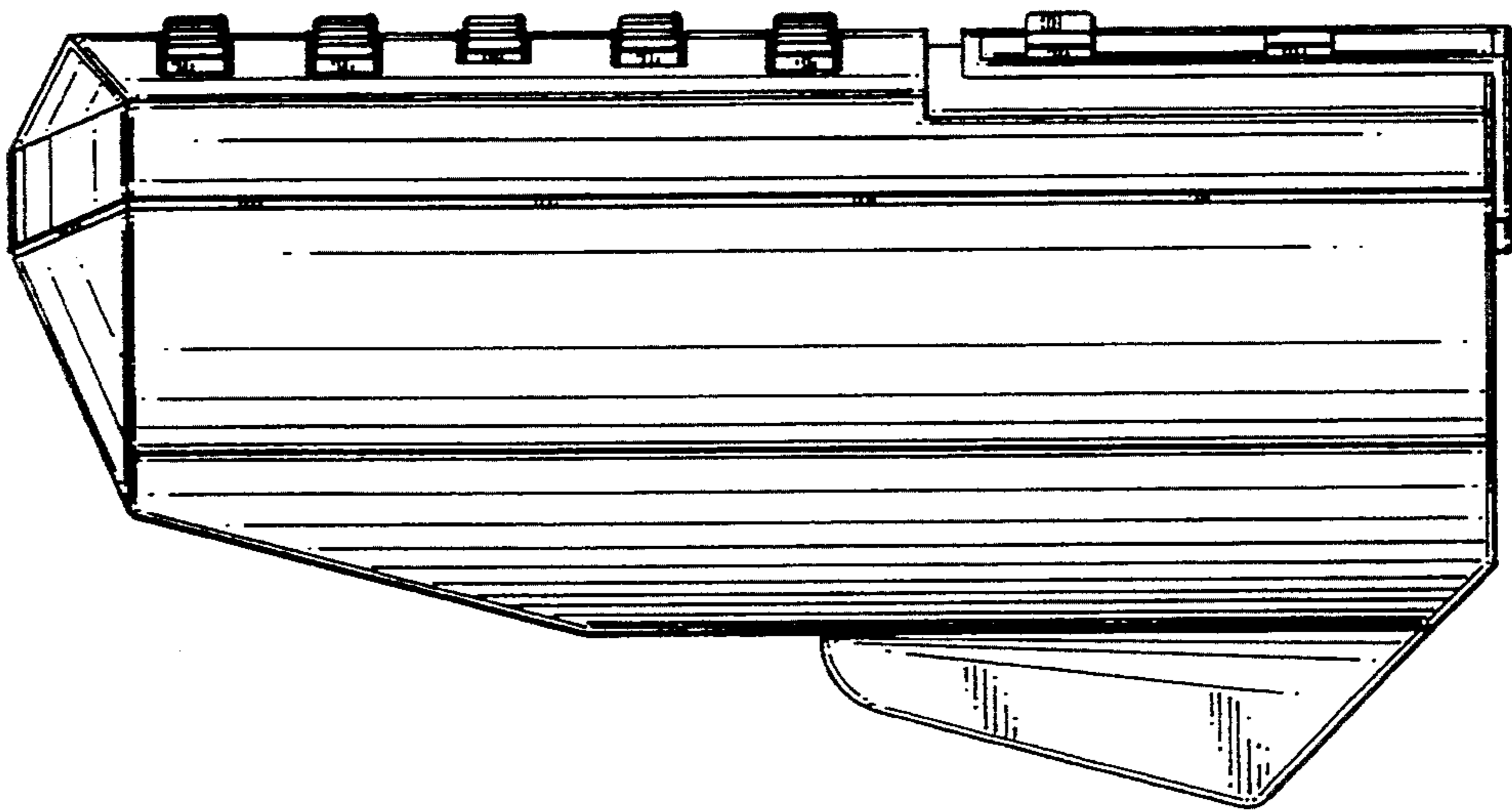


FIG. 7