



US00D359752S

United States Patent [19]

[11] Patent Number: **Des. 359,752**

Yoshida

[45] Date of Patent: **** Jun. 27, 1995**

[54] **WORD PROCESSOR**

[75] Inventor: **Kenzo Yoshida**, Nara, Japan

[73] Assignee: **Sharp Kabushiki Kaisha**, Osaka, Japan

[**] Term: **14 Years**

[21] Appl. No.: **23,761**

[22] Filed: **May 19, 1994**

[30] **Foreign Application Priority Data**

Nov. 19, 1993 [JP] Japan 5-35102

[52] U.S. Cl. **D18/1; D14/106**

[58] Field of Search **D18/1, 2; D14/100, 106, D14/113, 115; 235/145 A, 145 R; 340/700, 706, 707, 712; 364/708, 709; 361/390**

[56] **References Cited**

U.S. PATENT DOCUMENTS

- D. 307,892 5/1990 Horie D14/106
- D. 312,451 11/1990 Katoh et al. D14/106
- D. 328,065 7/1992 Nezu D14/106
- D. 328,606 8/1992 Mendel et al. D18/1

Primary Examiner—Alan P. Douglas

Assistant Examiner—Caron D. Veynar
Attorney, Agent, or Firm—Nixon & Vanderhye

[57] **CLAIM**

The ornamental design for a word processor, as shown and described.

DESCRIPTION

FIG. 1 is a top, front and right side perspective view of a word processor according to my design;
 FIG. 2 is a plan view thereof;
 FIG. 3 is a front elevational view thereof;
 FIG. 4 is a right side elevational view thereof;
 FIG. 5 is a rear elevational view thereof;
 FIG. 6 is a left side elevational view thereof;
 FIG. 7 is a bottom plan view thereof;
 FIG. 8 is a top, front and right side perspective view of the word processor with the screen for the word processor in an open position;
 FIG. 9 is a top plan view thereof;
 FIG. 10 is a front elevational view thereof;
 FIG. 11 is a right side elevational view thereof;
 FIG. 12 is a rear elevational view thereof; and,
 FIG. 13 is a left side elevational view thereof.
 The bottom plan view of the word processor with the view screen in the open position is identical to the view illustrated in FIG. 7.

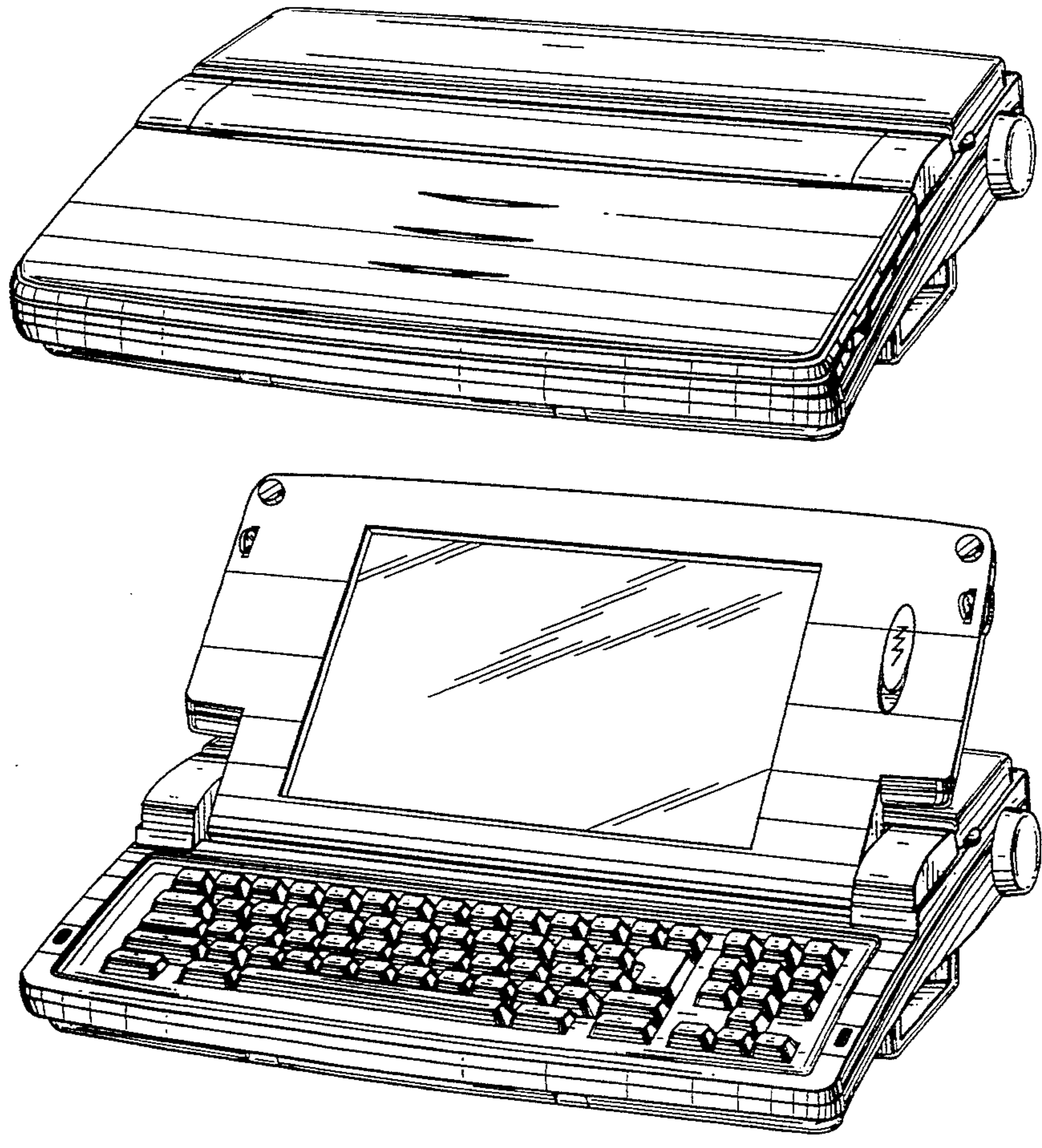




Fig. 1

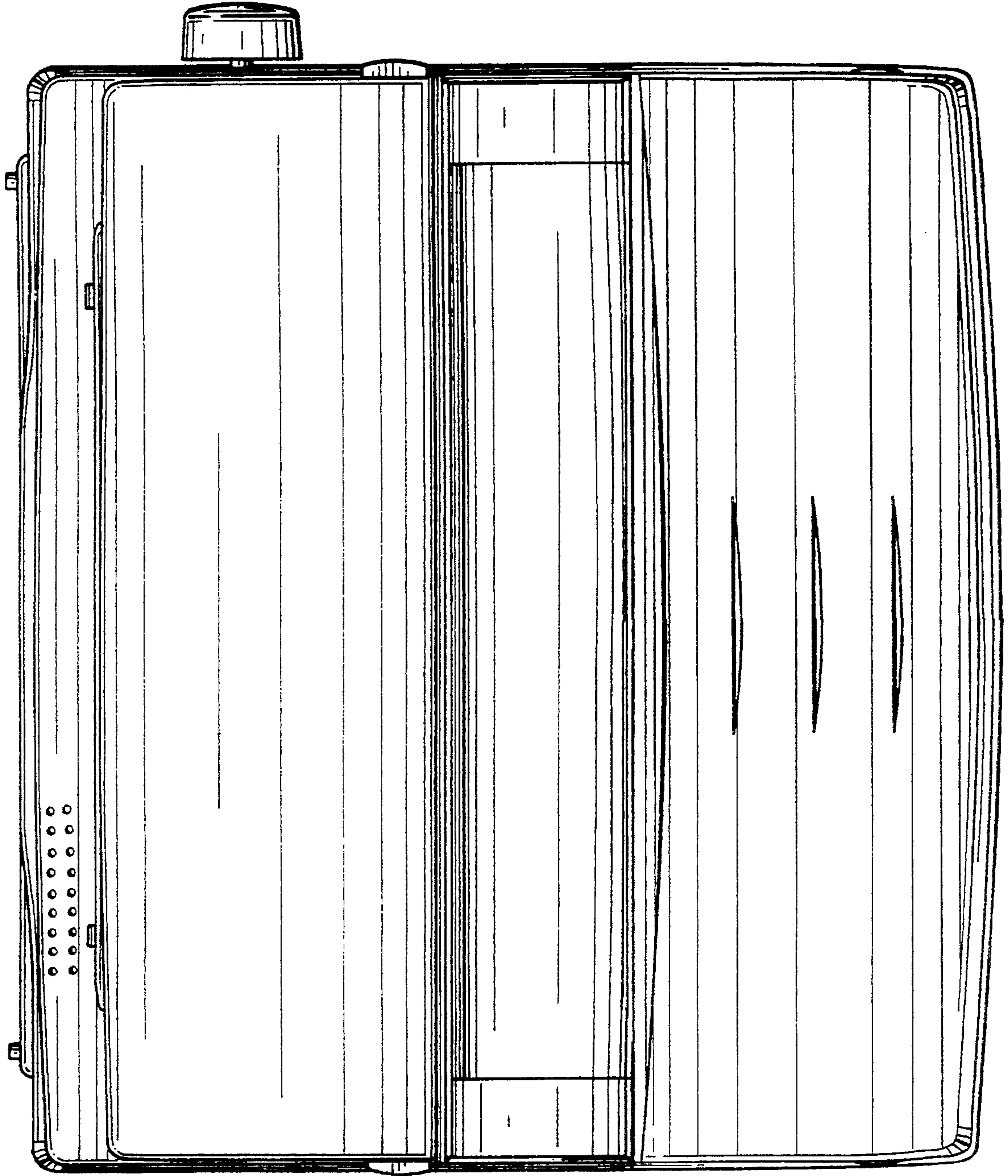


Fig. 2

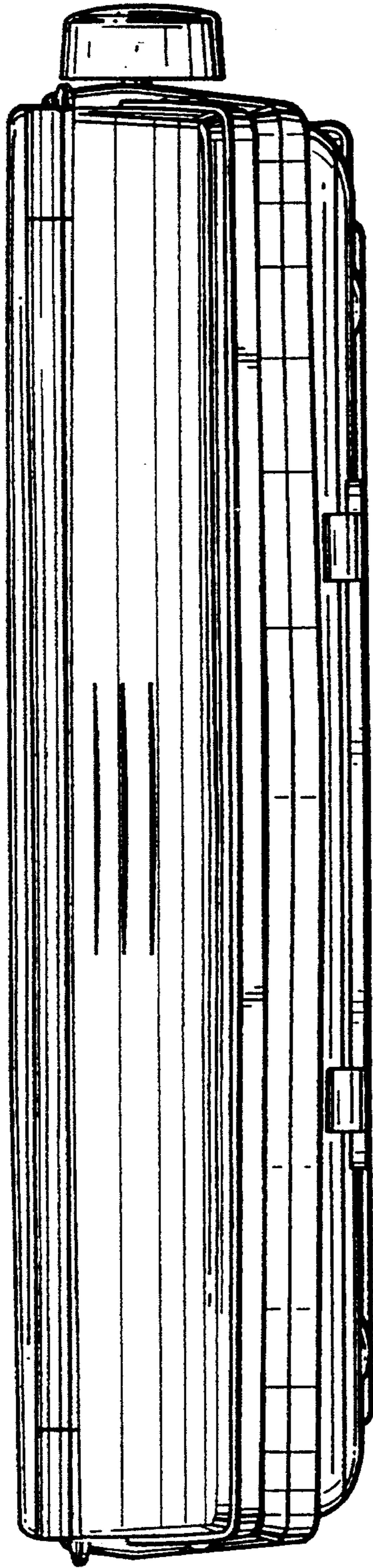


Fig. 3

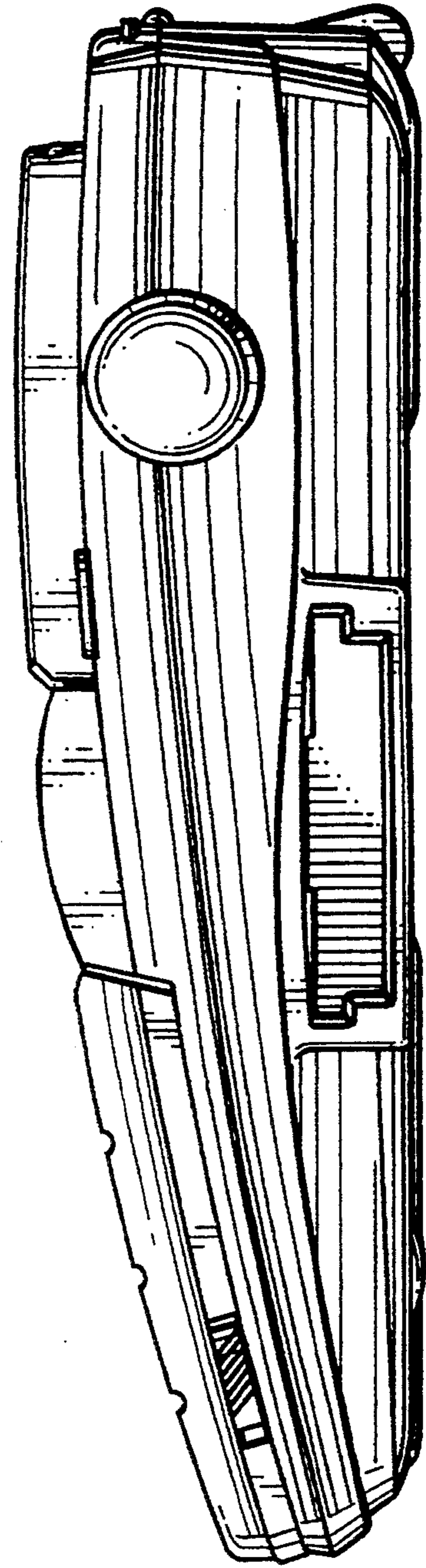


Fig. 4

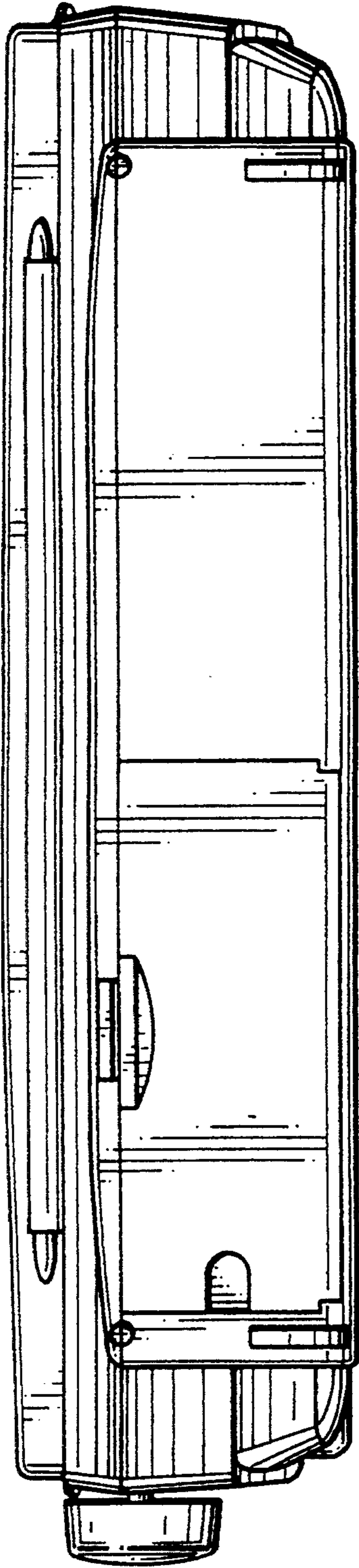


Fig. 5

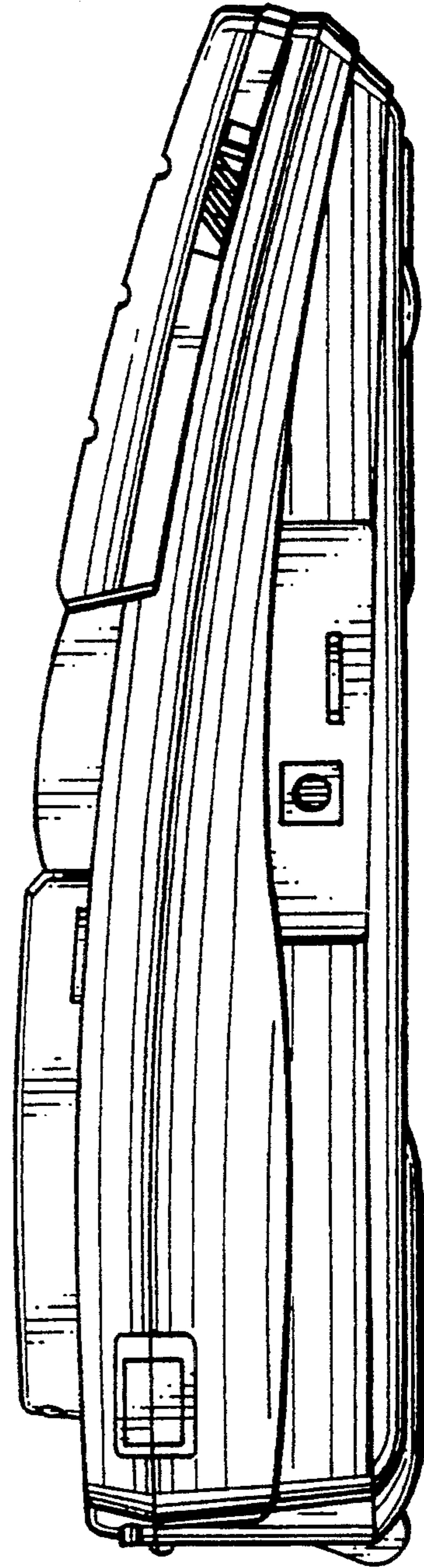


Fig. 6

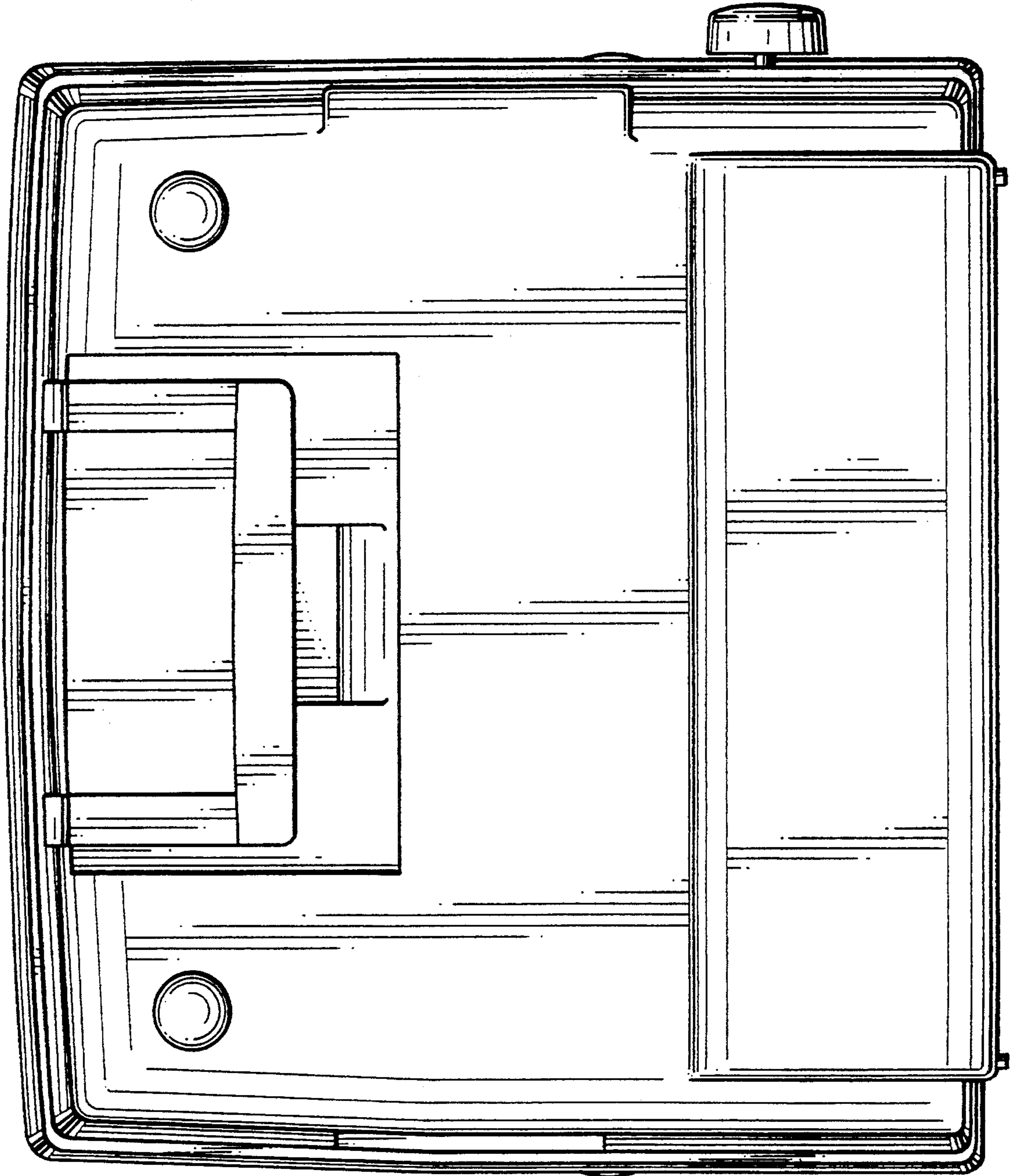


Fig. 7

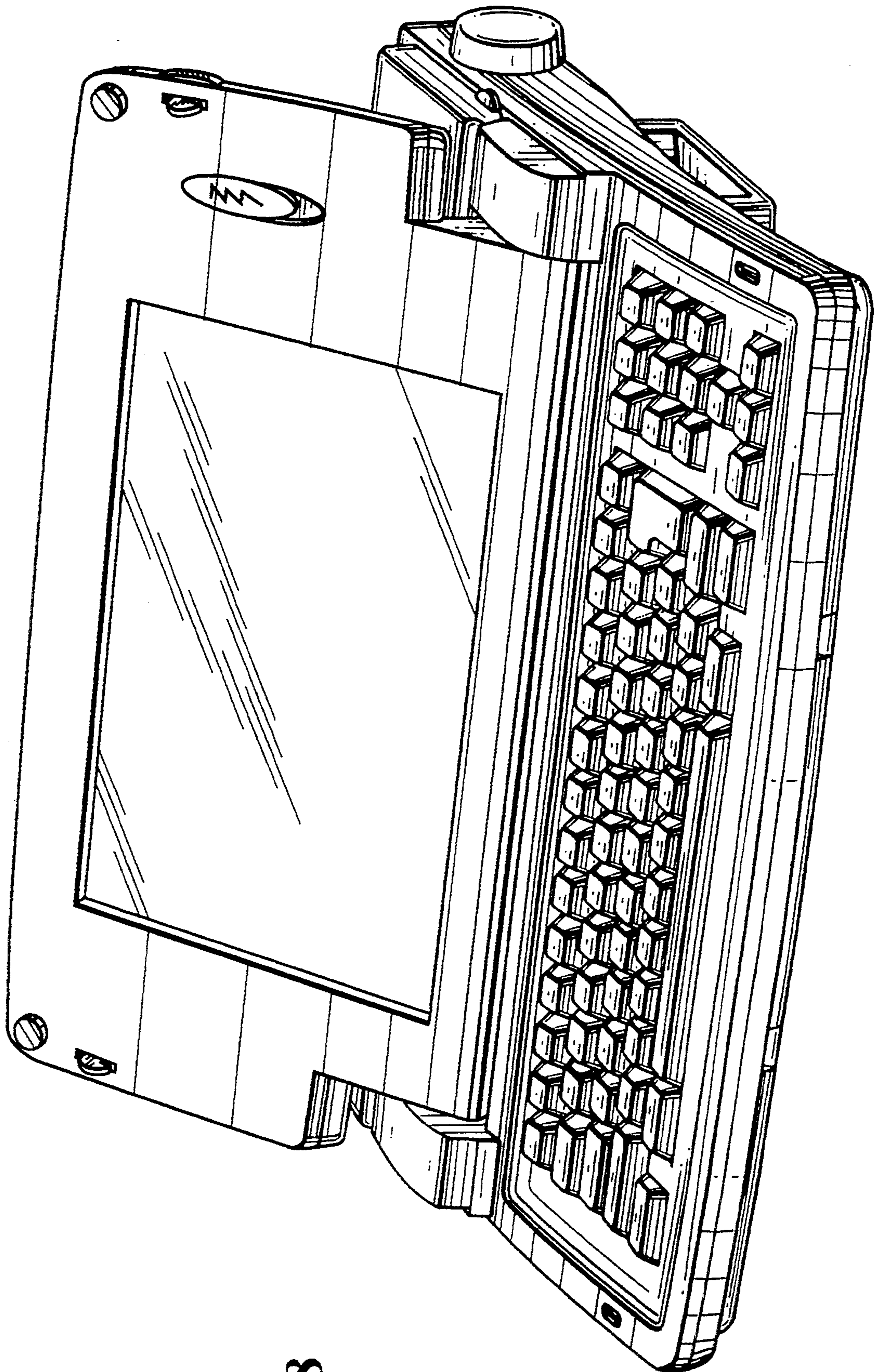


Fig. 8

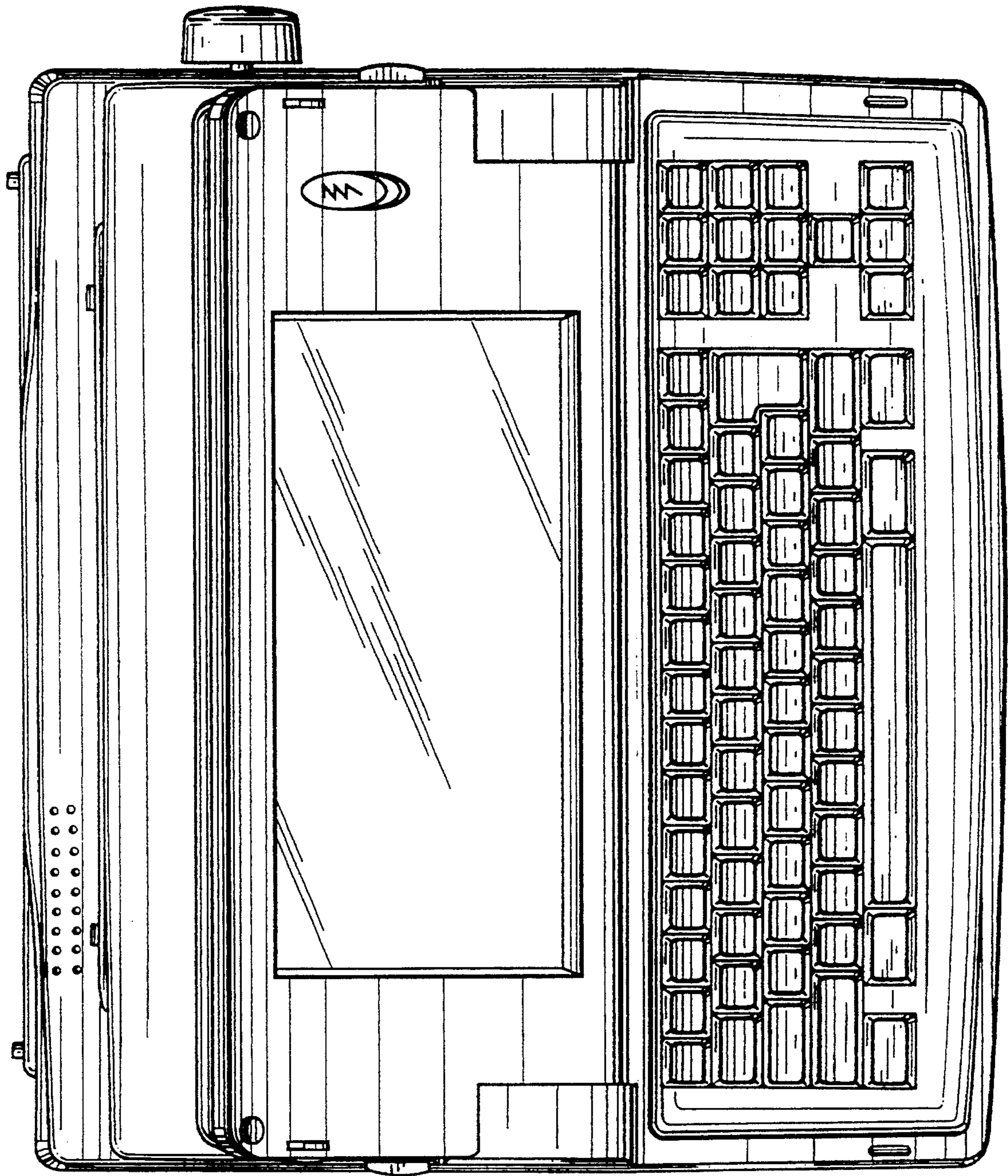


Fig. 9

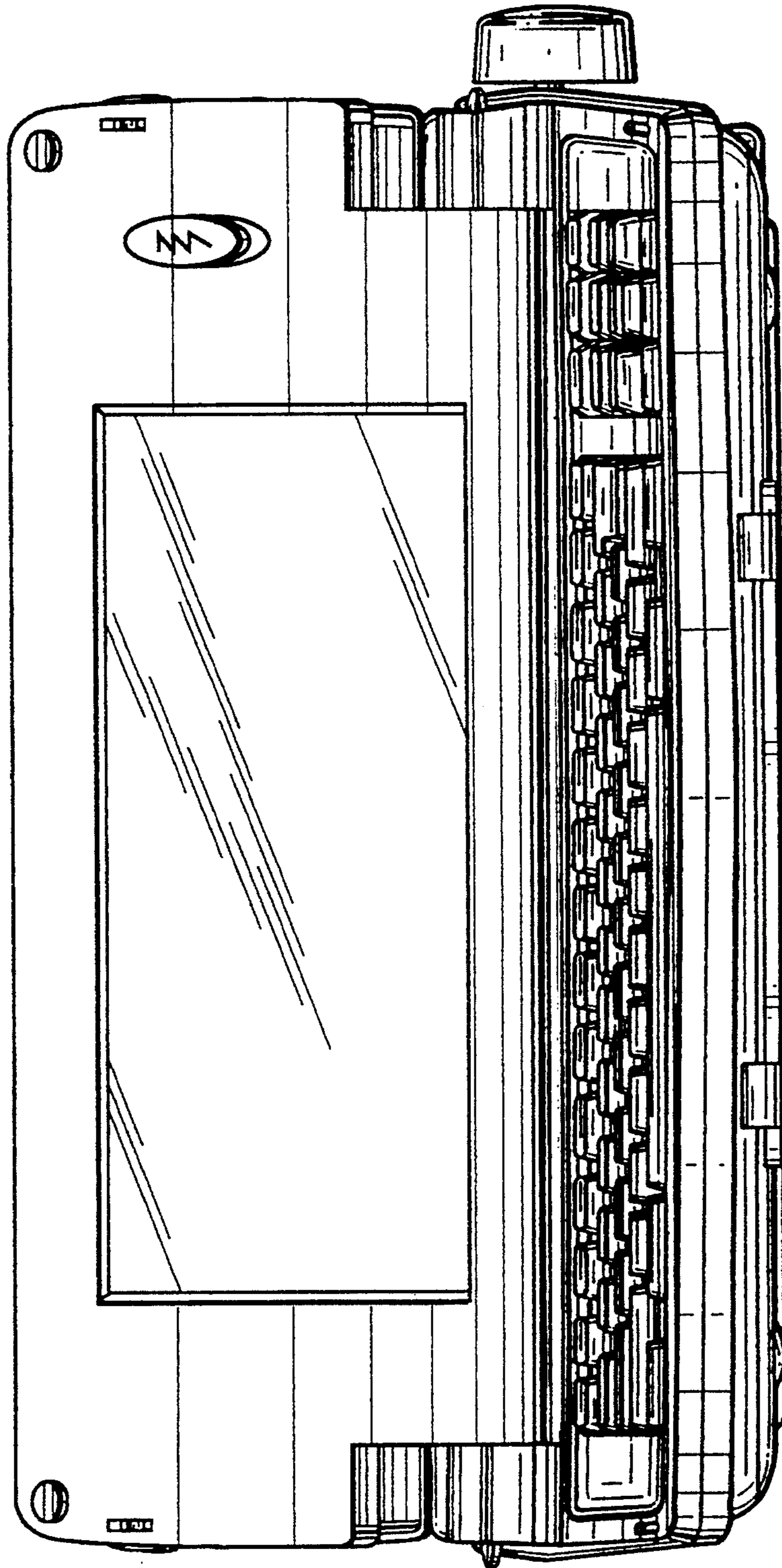


Fig. 10

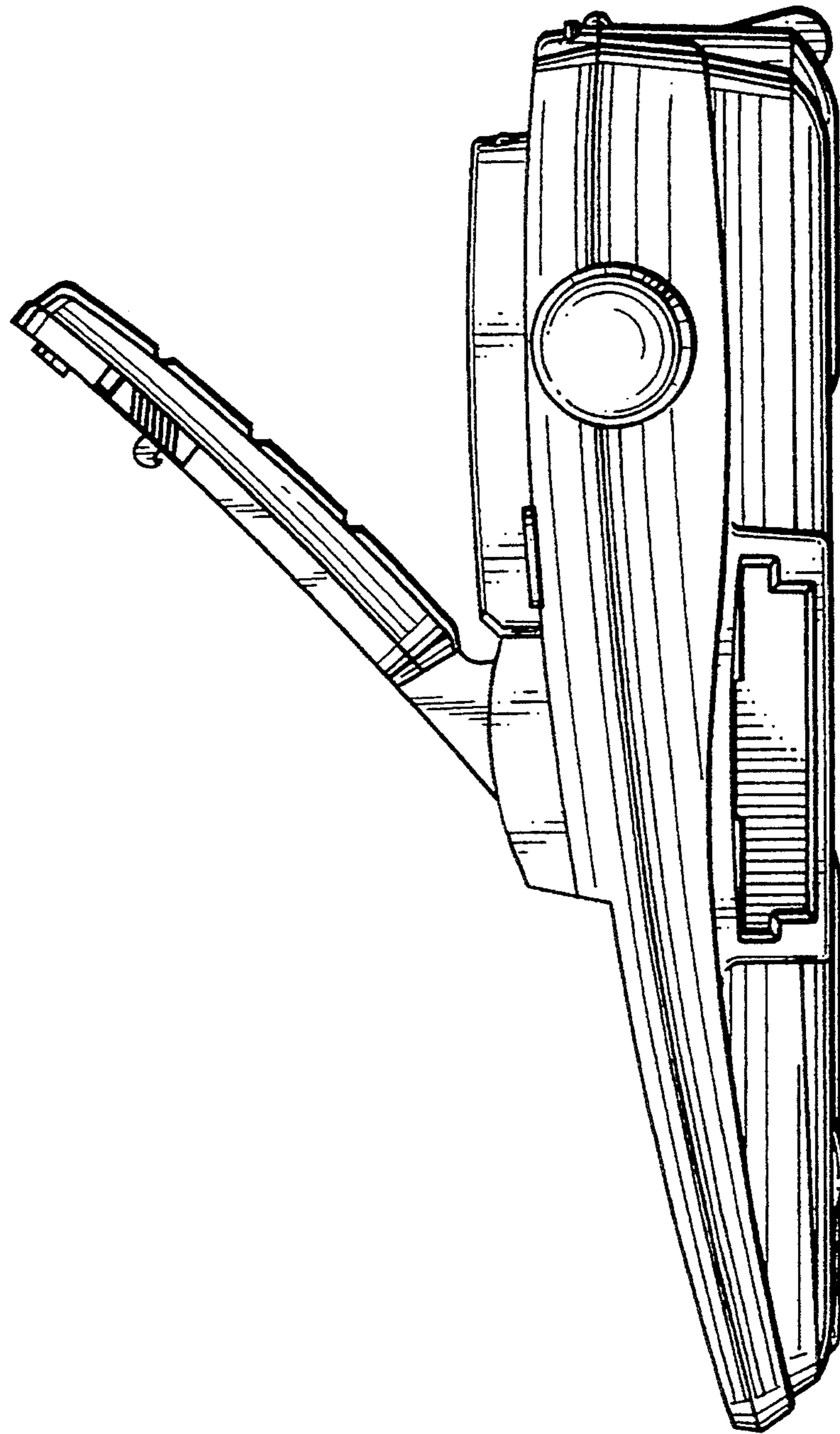


Fig. 11

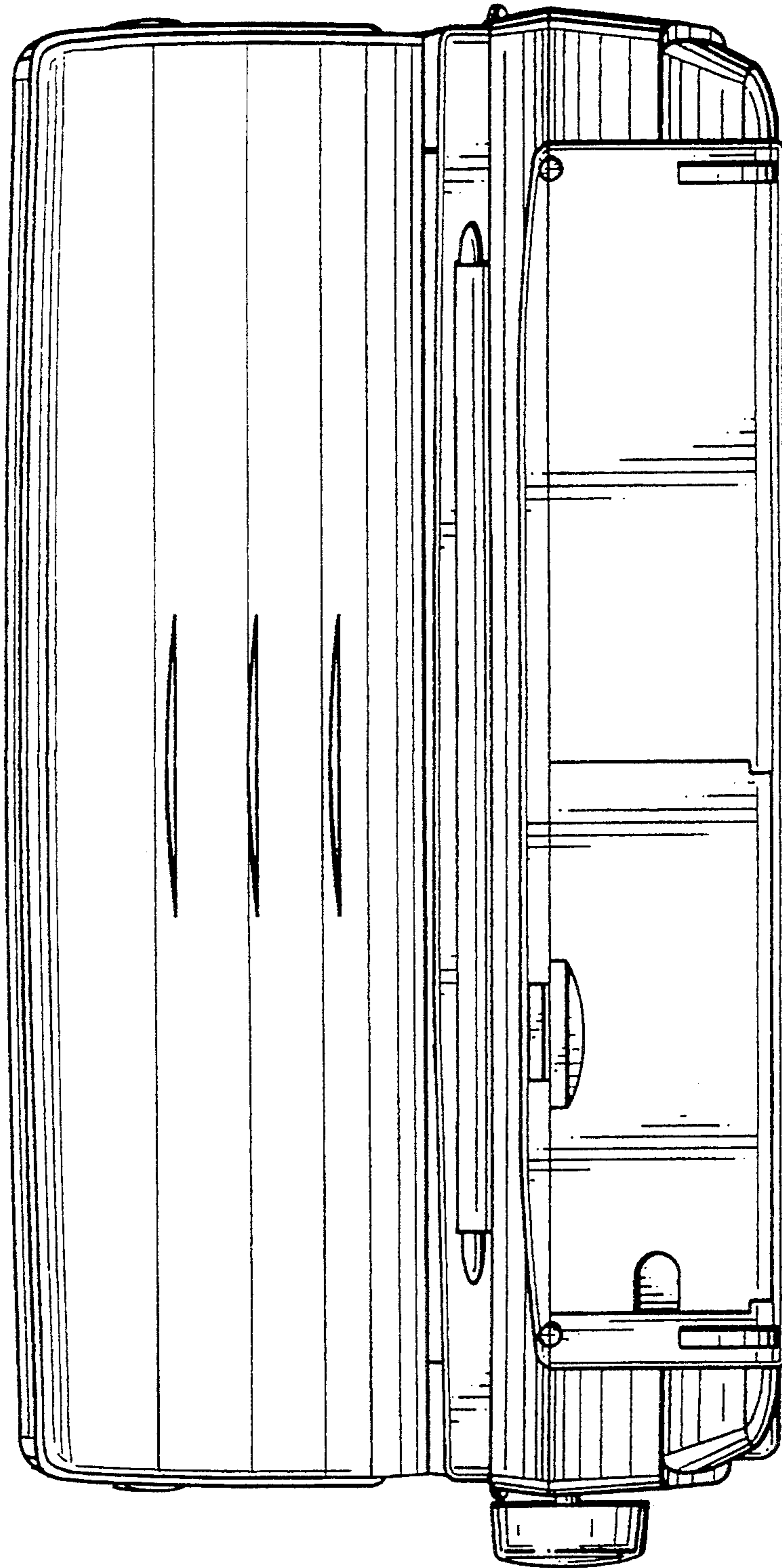


Fig. 12

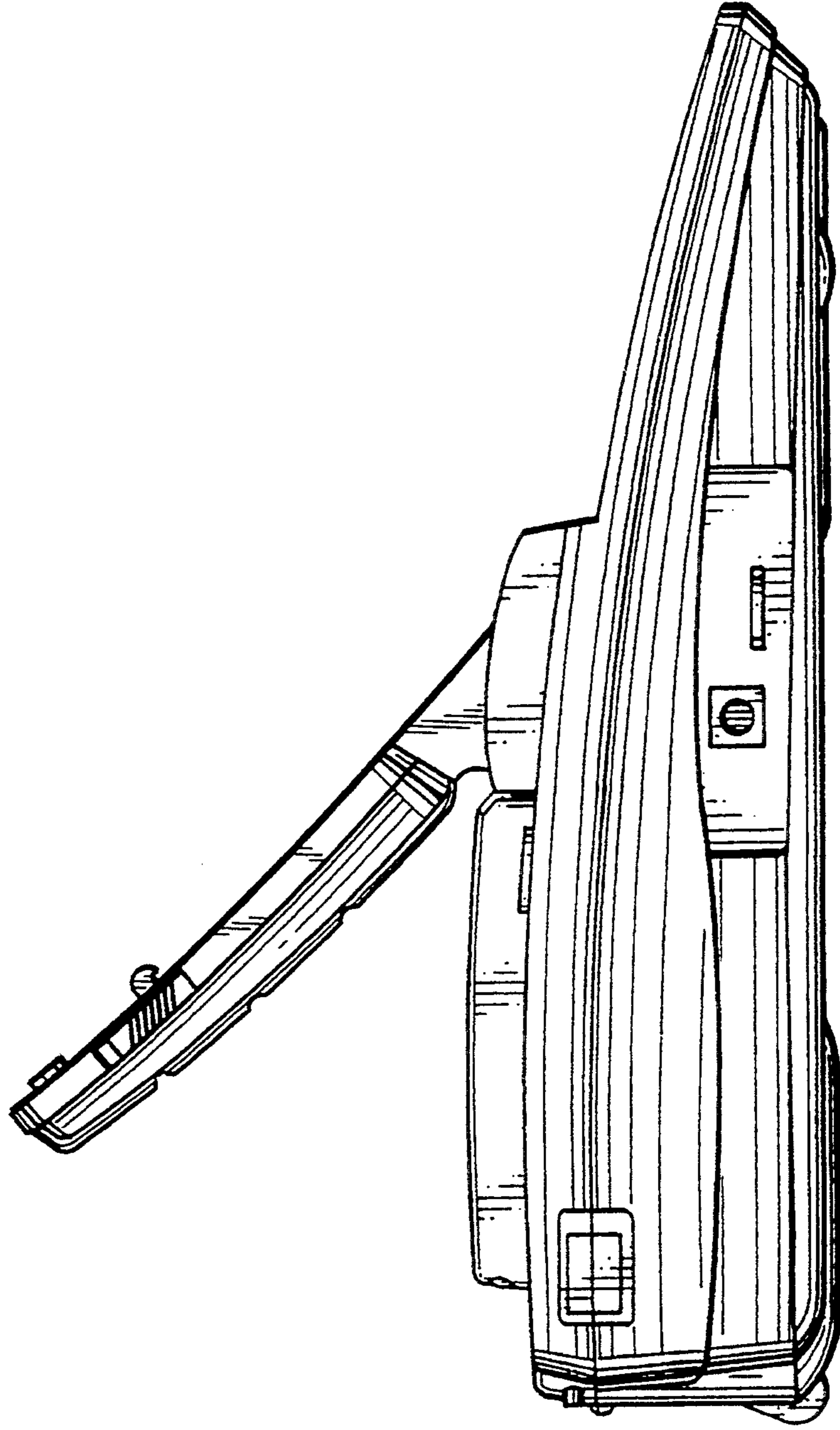


Fig. 13