



US00D359744S

United States Patent [19]

[11] Patent Number: **Des. 359,744**

Peavey et al.

[45] Date of Patent: **** Jun. 27, 1995**

[54] **FORENSIC EXAMINATION LENS ASSEMBLY FOR USE WITH A FLASHLIGHT**

2,994,971	8/1961	Meisenheimer et al.	362/109	X
3,655,960	4/1972	Andree	362/119	
3,936,137	2/1976	Lilman	359/798	X

[75] Inventors: **Douglas B. Peavey**, Overland Park; **Richard Warrington**, Topeka, both of Kans.

FOREIGN PATENT DOCUMENTS

0355556 7/1922 Germany 359/805

[73] Assignee: **The Peavey Corporation**, Lenexa, Kans.

Primary Examiner—Susan J. Lucas

Assistant Examiner—Cynthia Ramirez

Attorney, Agent, or Firm—Hovey, Williams, Timmons & Collins

[**] Term: **14 Years**

[21] Appl. No.: **13,580**

[57] CLAIM

[22] Filed: **Sep. 27, 1993**

The ornamental design for a forensic examination lens assembly for use with a flashlight, as shown and described.

[52] U.S. Cl. **D16/130; D26/38; D26/113**

[58] Field of Search D26/37, 46, 49, 45; 362/157, 158, 186, 195, 205, 202, 206, 208, 109, 119, 253; 359/385, 798, 799, 801, 804, 805

DESCRIPTION

[56] References Cited

U.S. PATENT DOCUMENTS

D. 263,170	2/1982	Maglica	D26/49
728,357	5/1903	Bernegau	359/798
1,328,135	1/1920	Doner	340/321
1,556,510	10/1925	King	362/105

FIG. 1 is a side elevational view the opposite side being a mirror image;

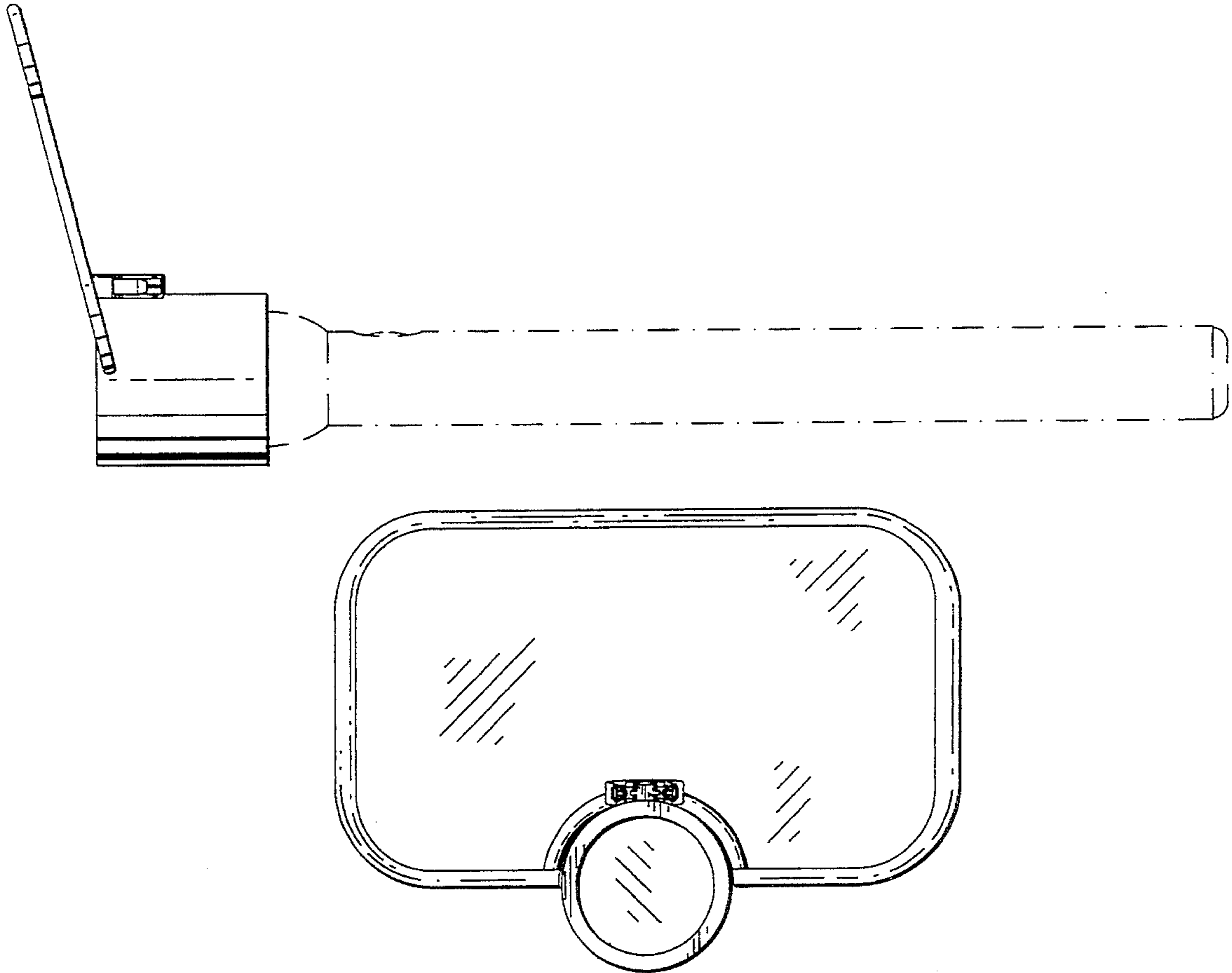
FIG. 2 is a front elevational view;

FIG. 3 is a rear elevational view;

FIG. 4 is a top plan view; and,

FIG. 5 is a bottom plan view.

The flashlight is shown in broken lines for illustrative purposes only.



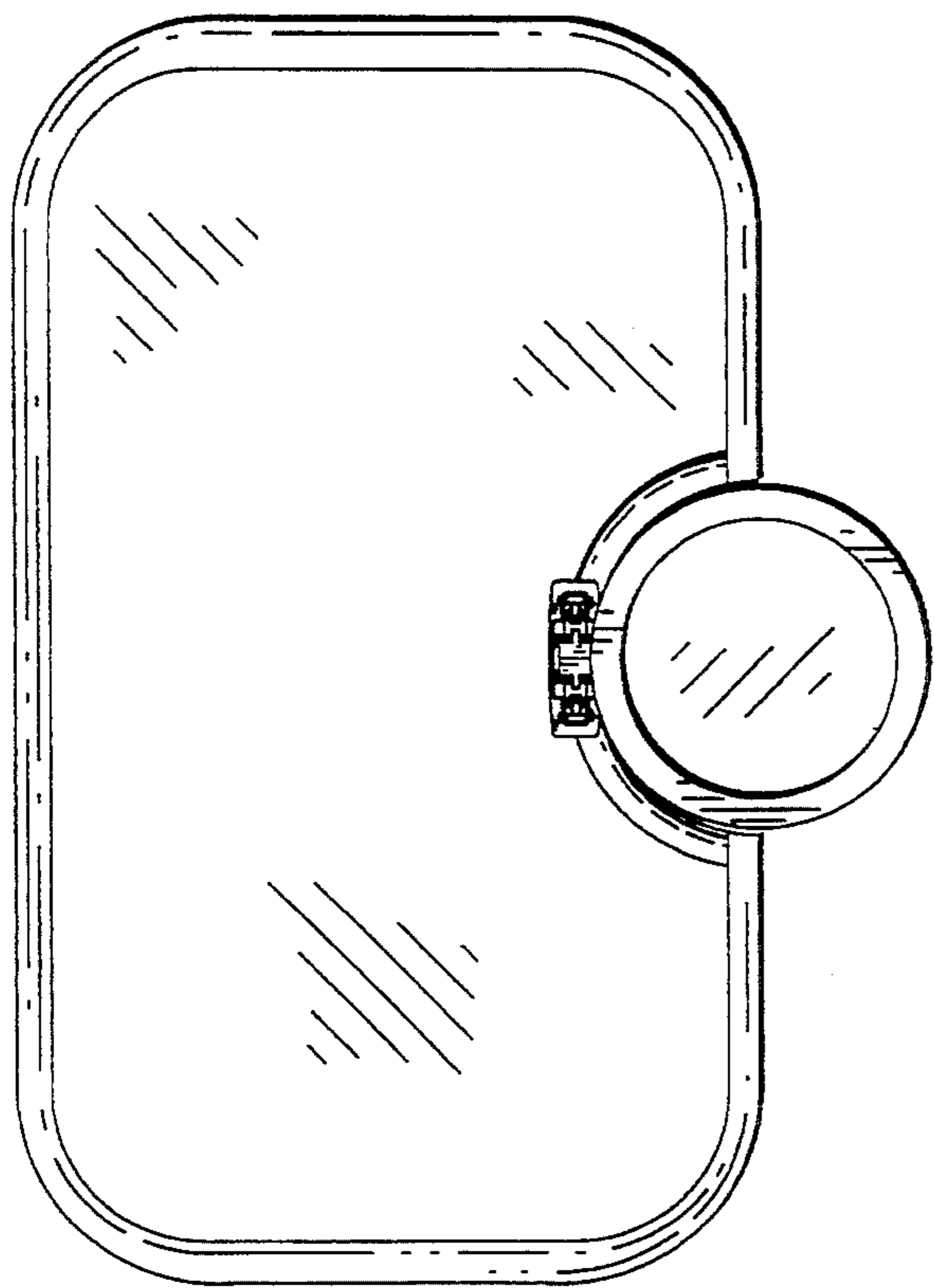


Fig. 3.

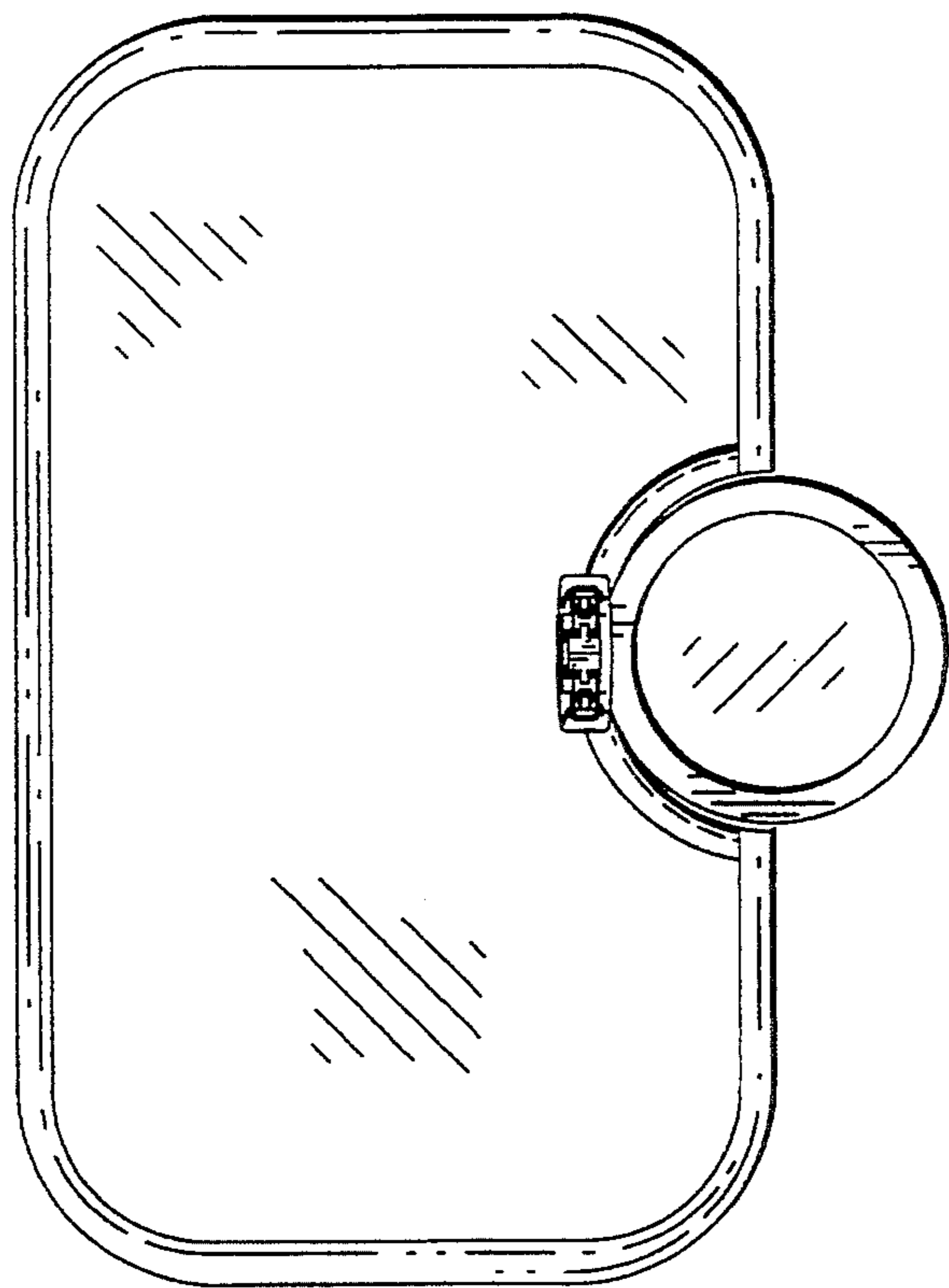


Fig. 2.

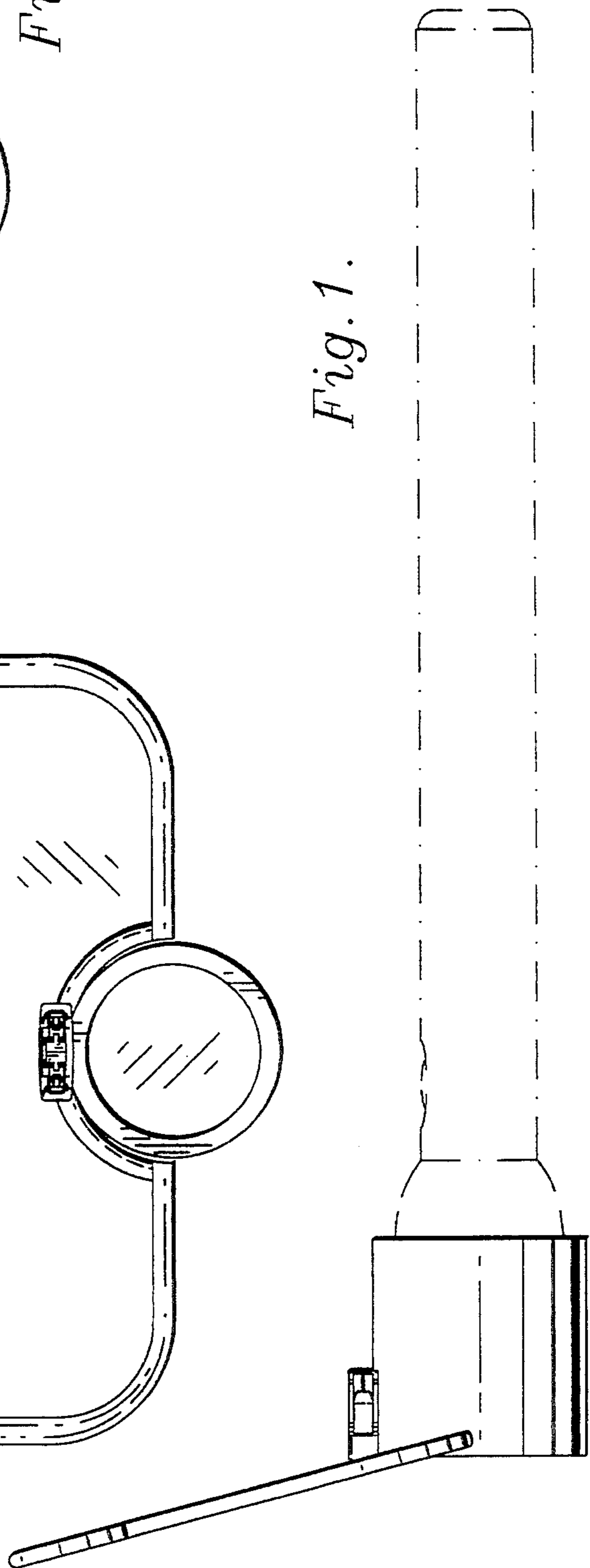


Fig. 1.

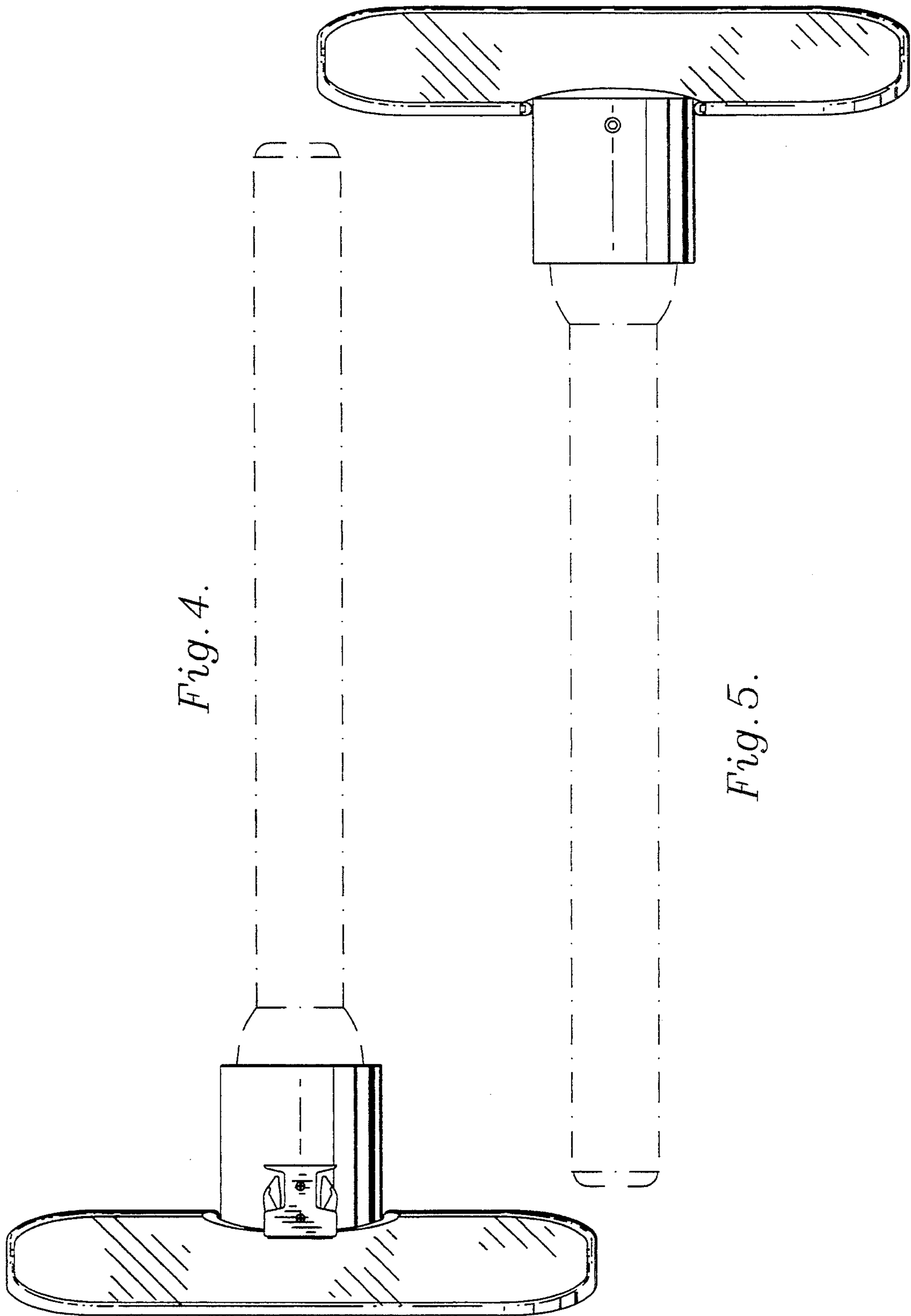


Fig. 4.

Fig. 5.