



US00D359742S

United States Patent [19]

[11] Patent Number: **Des. 359,742**

Kawano

[45] Date of Patent: **** Jun. 27, 1995**

[54] **SHANK PORTION OF PUNCH FOR PRESS BRAKE**

[75] Inventor: **Susumu Kawano, Kanagawa, Japan**

[73] Assignee: **Amada Metrecs Company, Limited, Japan**

[**] Term: **14 Years**

[21] Appl. No.: **25,475**

[22] Filed: **Jun. 6, 1994**

[52] U.S. Cl. **D15/123; D15/199**

[58] Field of Search **D15/123, 199; D25/119; 72/462, 481; 83/368, 400; 269/61**

[56] **References Cited**

U.S. PATENT DOCUMENTS

D. 183,317	8/1958	Kautz	D25/119	X
D. 278,343	4/1985	Roch	D15/123	
D. 352,791	11/1994	Manacas	D25/119	X
2,456,856	12/1948	Bath	72/481	X
4,891,965	1/1990	Piacentini	72/462	X

FOREIGN PATENT DOCUMENTS

62-212019 9/1987 Japan .
5337553 12/1993 Japan .
623436 2/1994 Japan .

OTHER PUBLICATIONS

“Amada RG Tooling” brochure, Amada Metrecs U.K. Limited, Apr. 1993.

Primary Examiner—Antoine Duval Davis
Attorney, Agent, or Firm—Saidman DesignLaw Group

[57] **CLAIM**

The ornamental design for a shank portion of punch for press brake, as shown and described.

DESCRIPTION

FIG. 1 is a perspective view of a shank portion of a punch for a press brake showing my new design; FIG. 2 is a front elevational view thereof; FIG. 3 is a rear elevational view thereof; FIG. 4 is a top view thereof; FIG. 5 is a left side view thereof; and, FIG. 6 is a right side view thereof.

The broken line showing of a punch for press brake is for illustrative purposes only and forms no part of the claimed design.

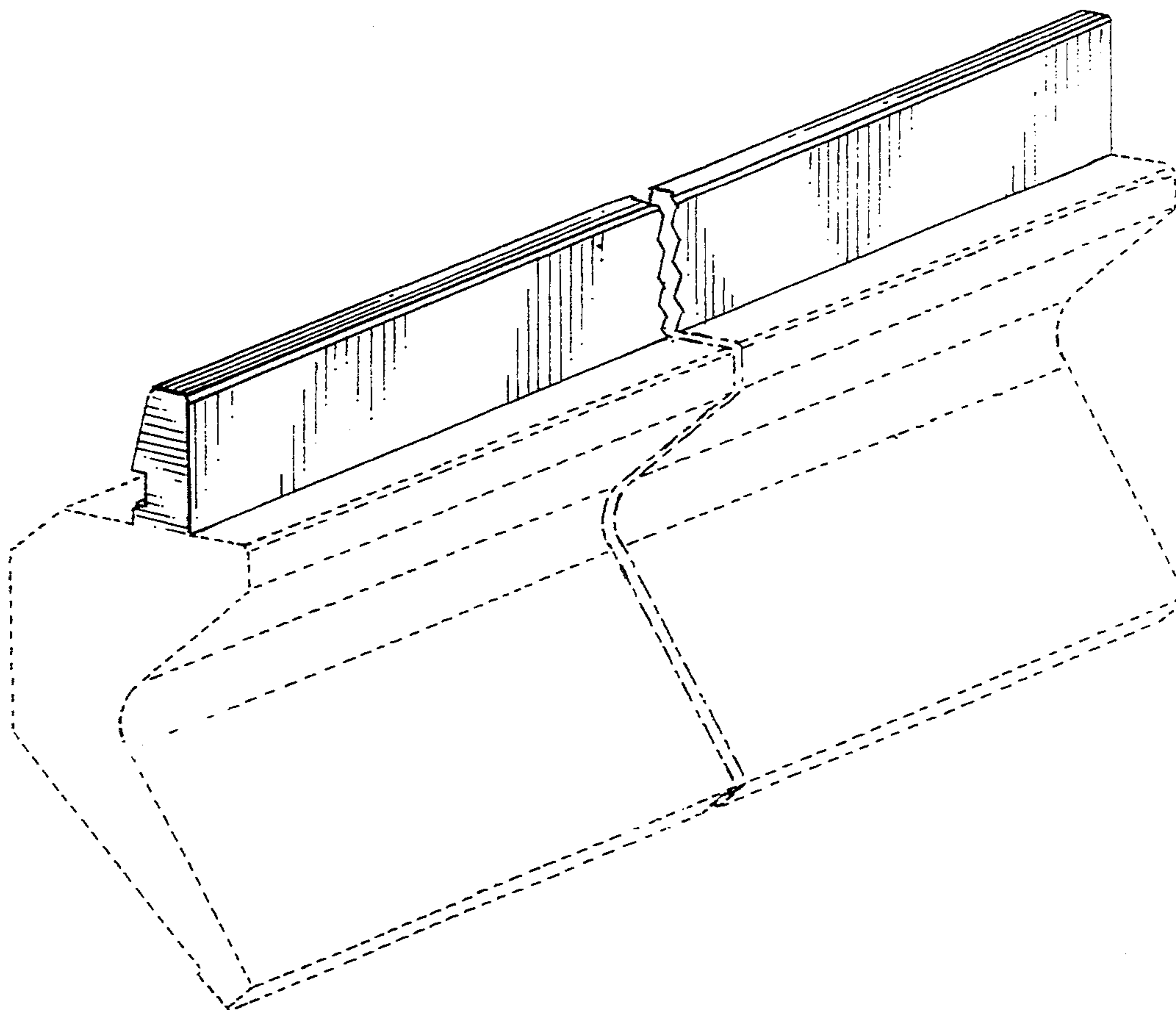


FIG. 1

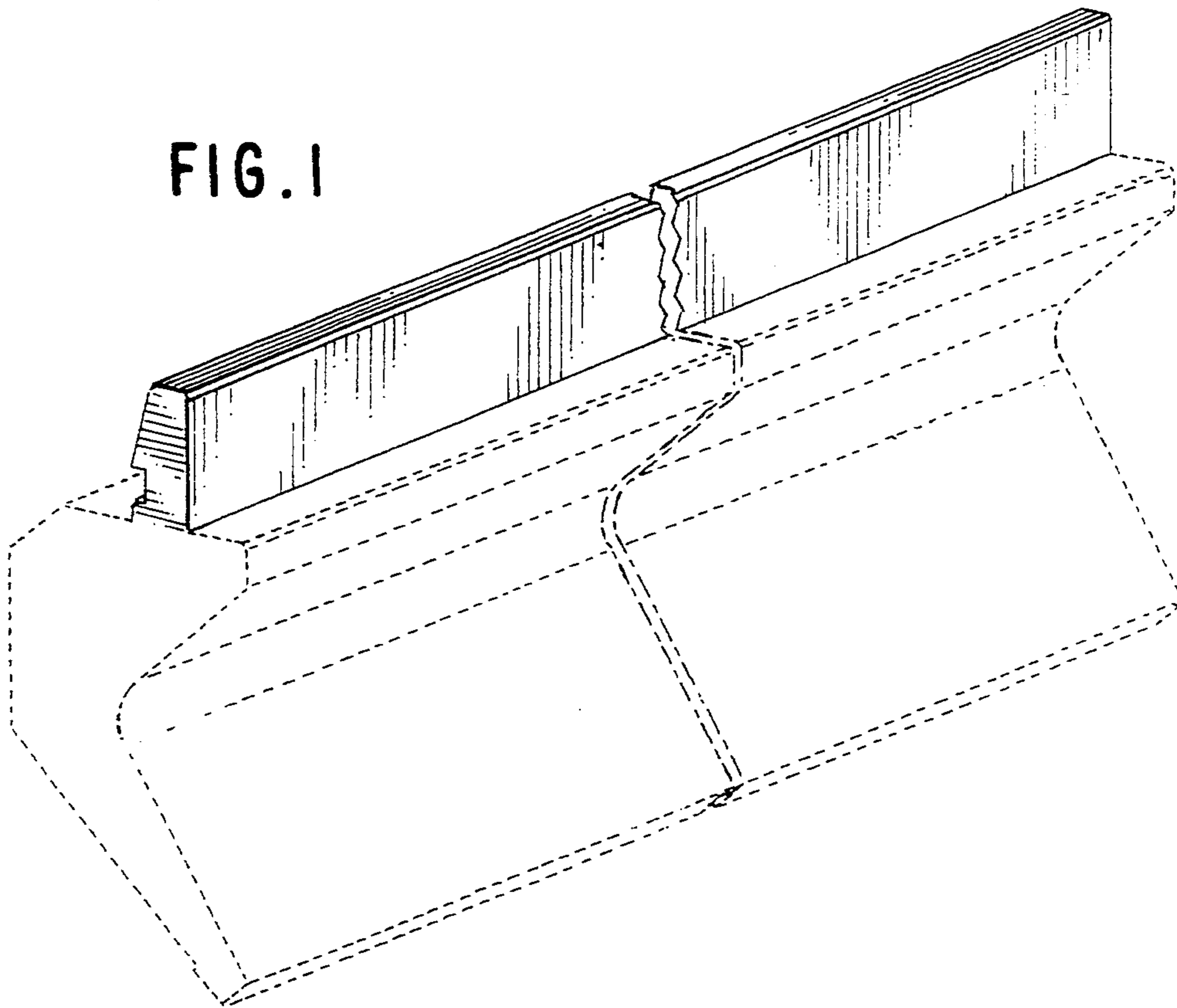


FIG. 2

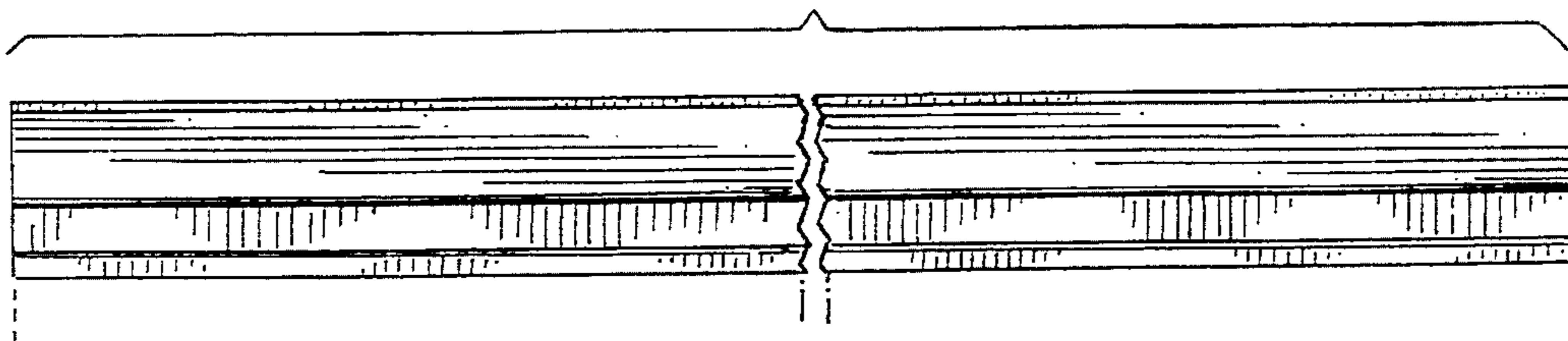


FIG. 3

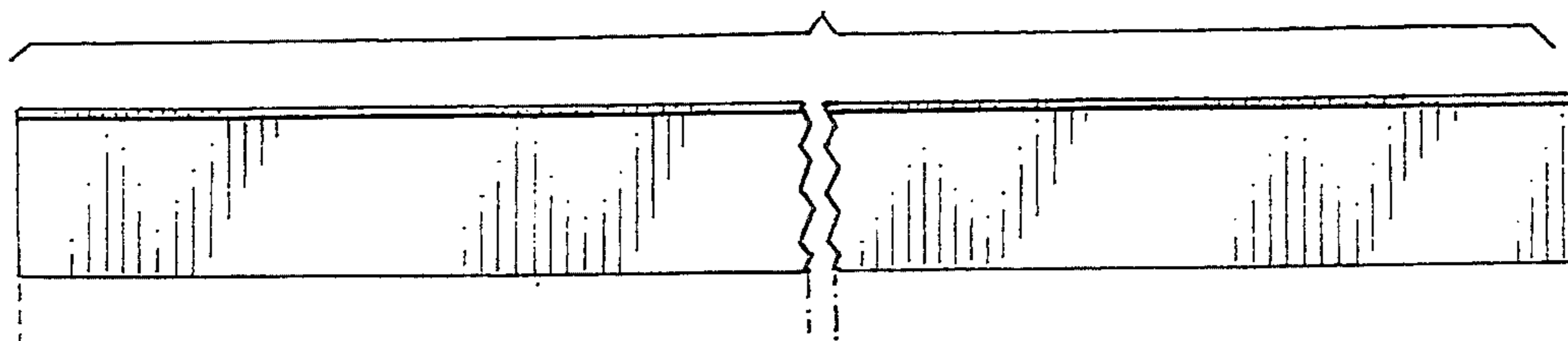


FIG. 4

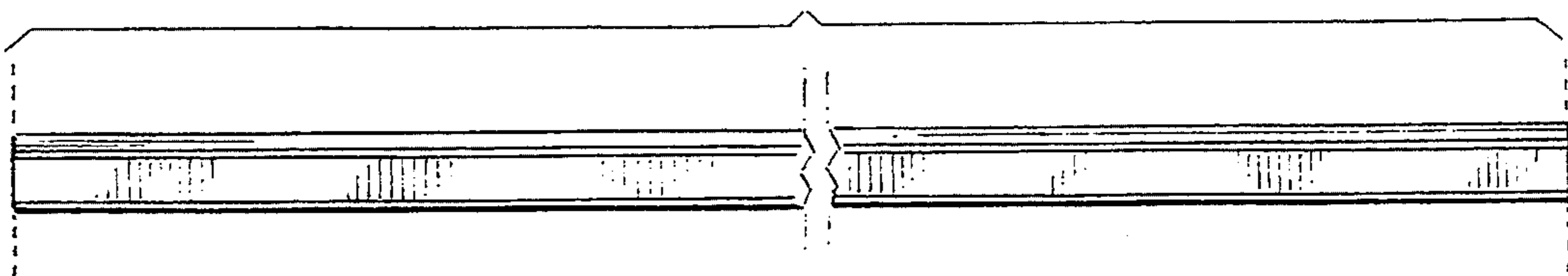


FIG. 5

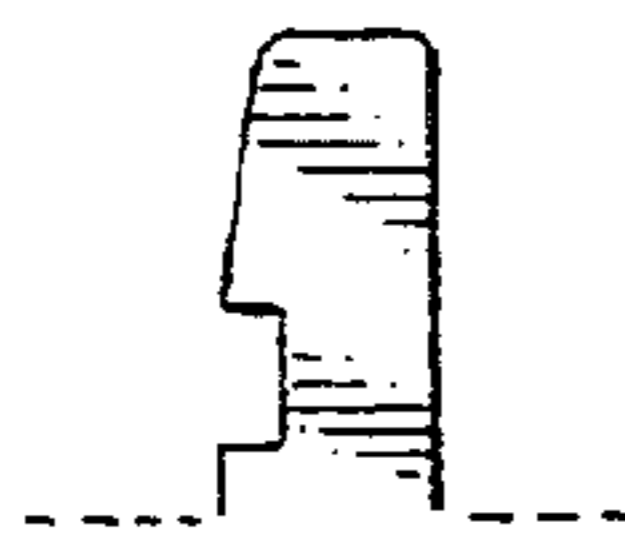


FIG. 6

