



US00D359741S

United States Patent [19]

[11] Patent Number: **Des. 359,741**

Sekiguti et al.

[45] Date of Patent: **** Jun. 27, 1995**

[54] SEWING MACHINE

D. 321,694	11/1991	Uchida	D15/69
D. 338,022	8/1993	Takada et al.	D15/69
5,315,943	5/1994	Sonoda	112/260

[75] Inventors: **Tosiya Sekiguti; Yuujiro Motomizu,**
both of Chofu, Japan

[73] Assignee: **Juki Corporation,** Tokyo, Japan

[**] Term: **14 Years**

[21] Appl. No.: **12,792**

[22] Filed: **Sep. 10, 1993**

[30] **Foreign Application Priority Data**

Mar. 12, 1993 [JP] Japan 5-7058

[52] U.S. Cl. **D15/70**

[58] Field of Search **D15/66-78;**
112/217.1-217.4, 258-262.1

[56] **References Cited**

U.S. PATENT DOCUMENTS

D. 278,823	5/1985	Yoneda	D15/69
D. 292,928	11/1987	Lo	D15/69
D. 298,044	10/1988	Sekiguchi	D15/69
D. 306,601	3/1990	Uchida	D15/69
D. 307,023	4/1990	Eguchi	D15/69

OTHER PUBLICATIONS

Vogue Patterns, Sep.-Oct. 1984 p. 96 Bernette Over-
locker.
Spiegel Catalog Jul. 1992 p. 449 Singer Overlock Ma-
chine.

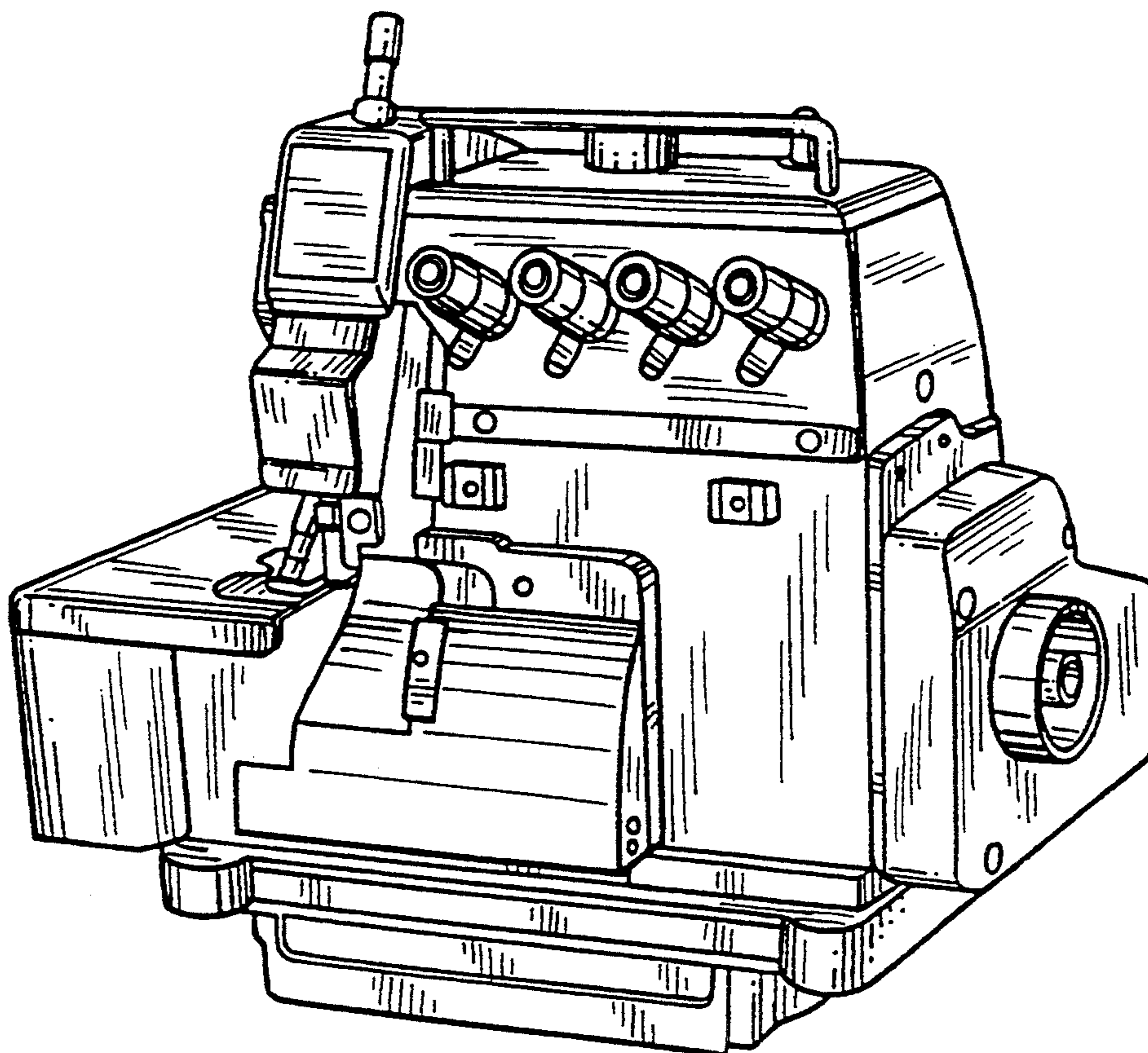
Primary Examiner—Terry A. Wallace
Assistant Examiner—Sandra Morris
Attorney, Agent, or Firm—Morgan & Finnegan

[57] **CLAIM**

The ornamental design for a sewing machine, as shown.

DESCRIPTION

FIG. 1 is a perspective view of the design for a sewing machine in accordance with the present invention;
FIG. 2 is a top view thereof;
FIG. 3 is a front view thereof;
FIG. 4 is a bottom view thereof;
FIG. 5 is a left side view thereof;
FIG. 6 is a right side view thereof; and,
FIG. 7 is a rear view thereof.



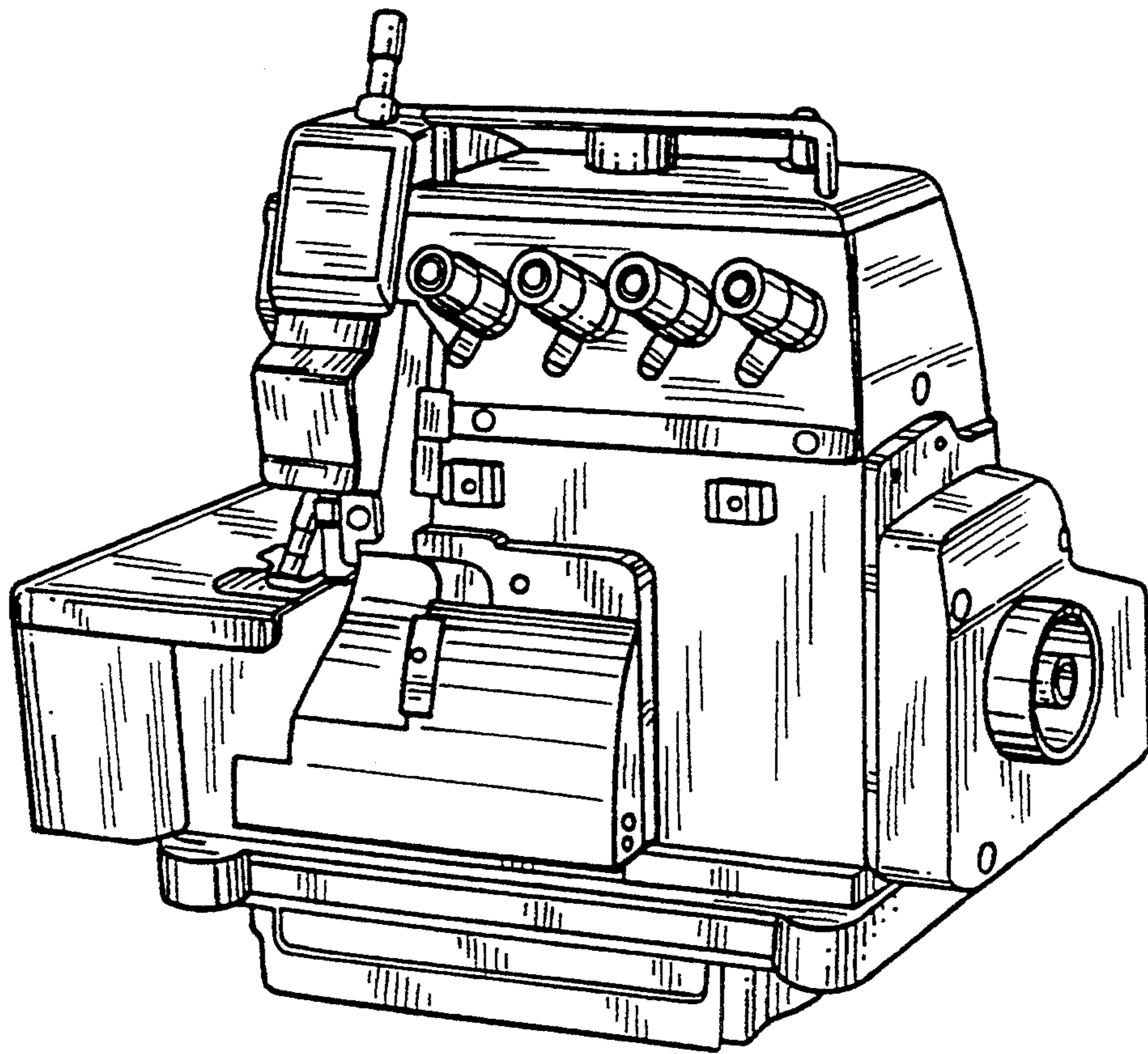


FIG. 1

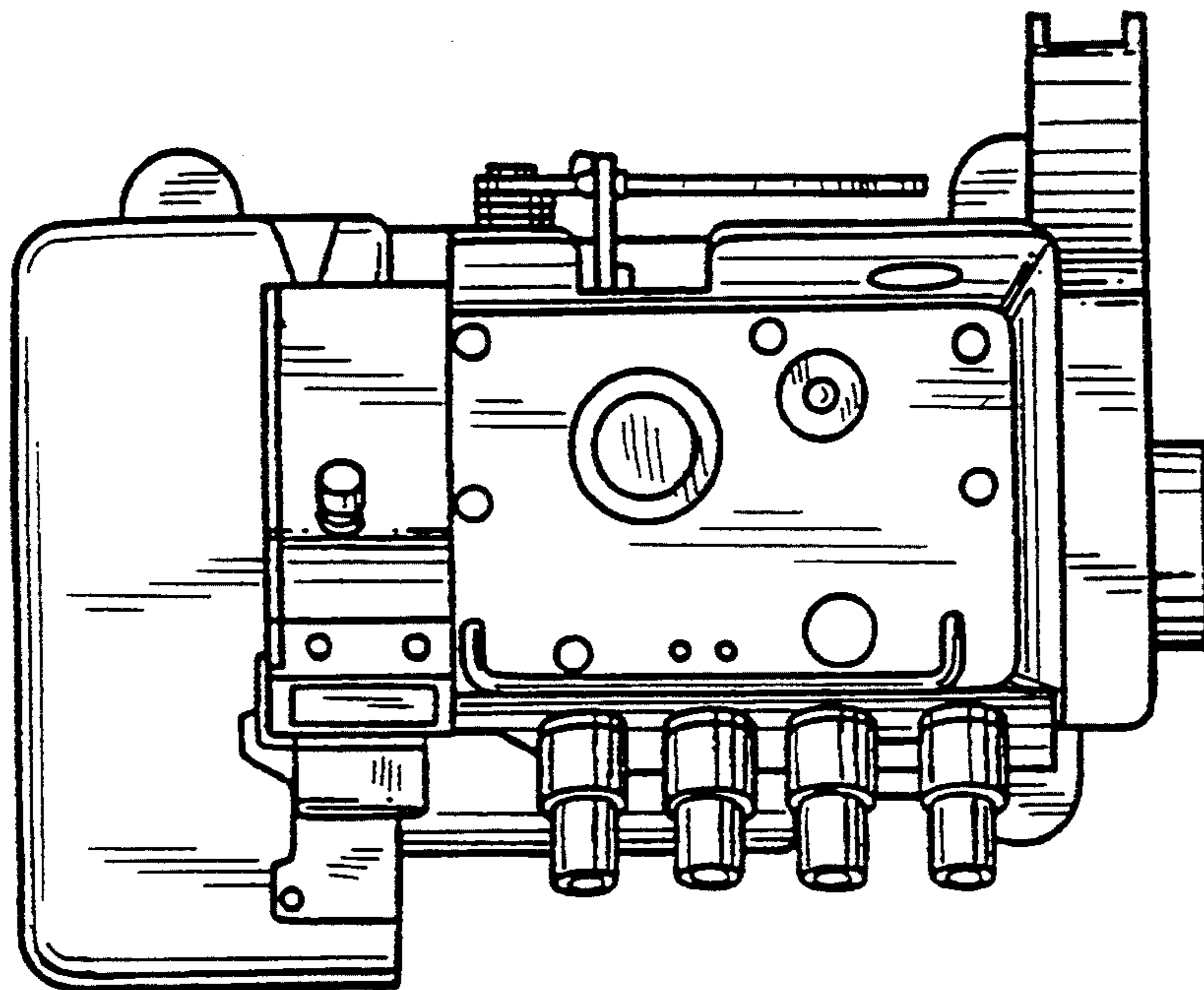


FIG. 2

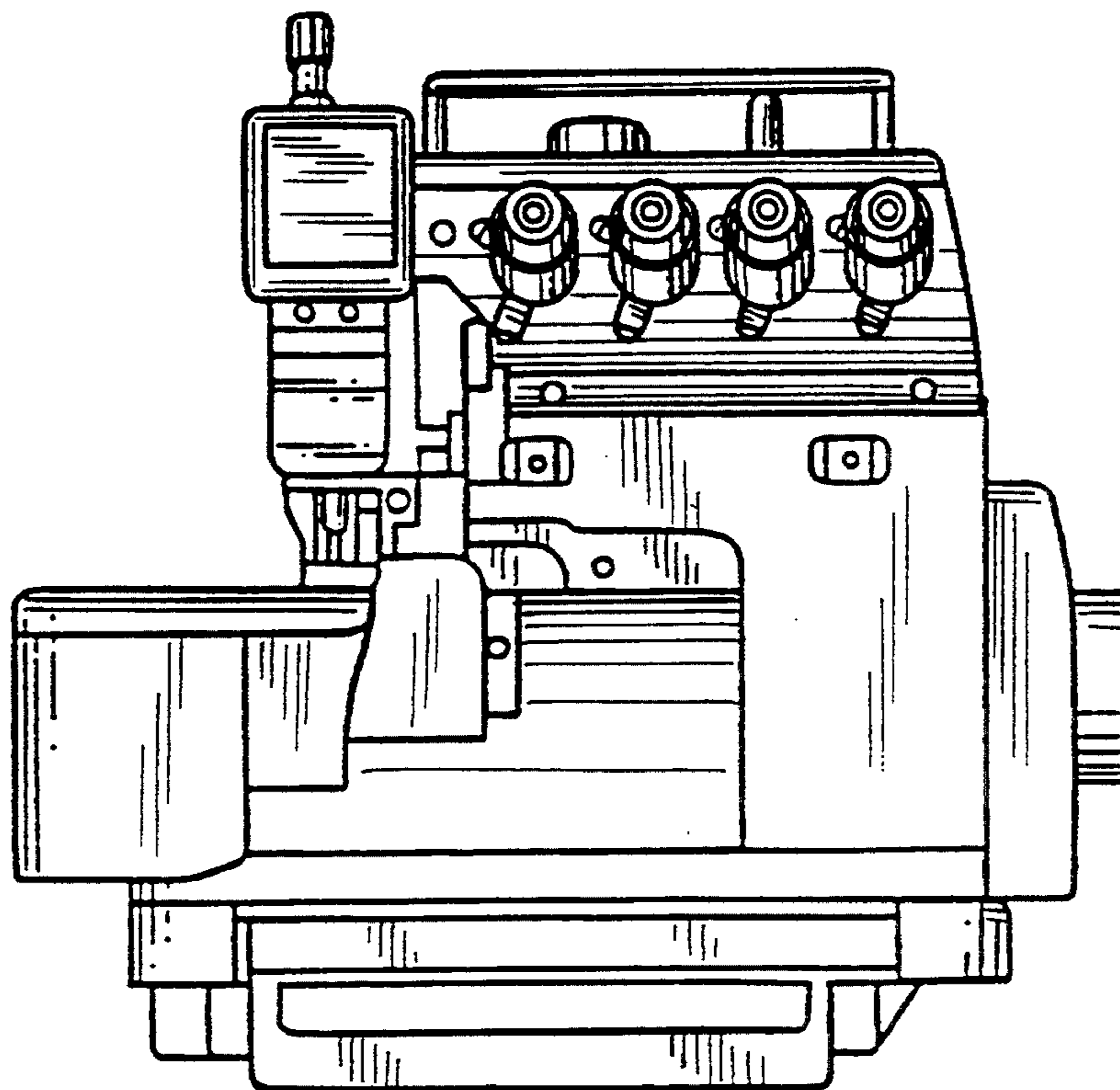


FIG. 3

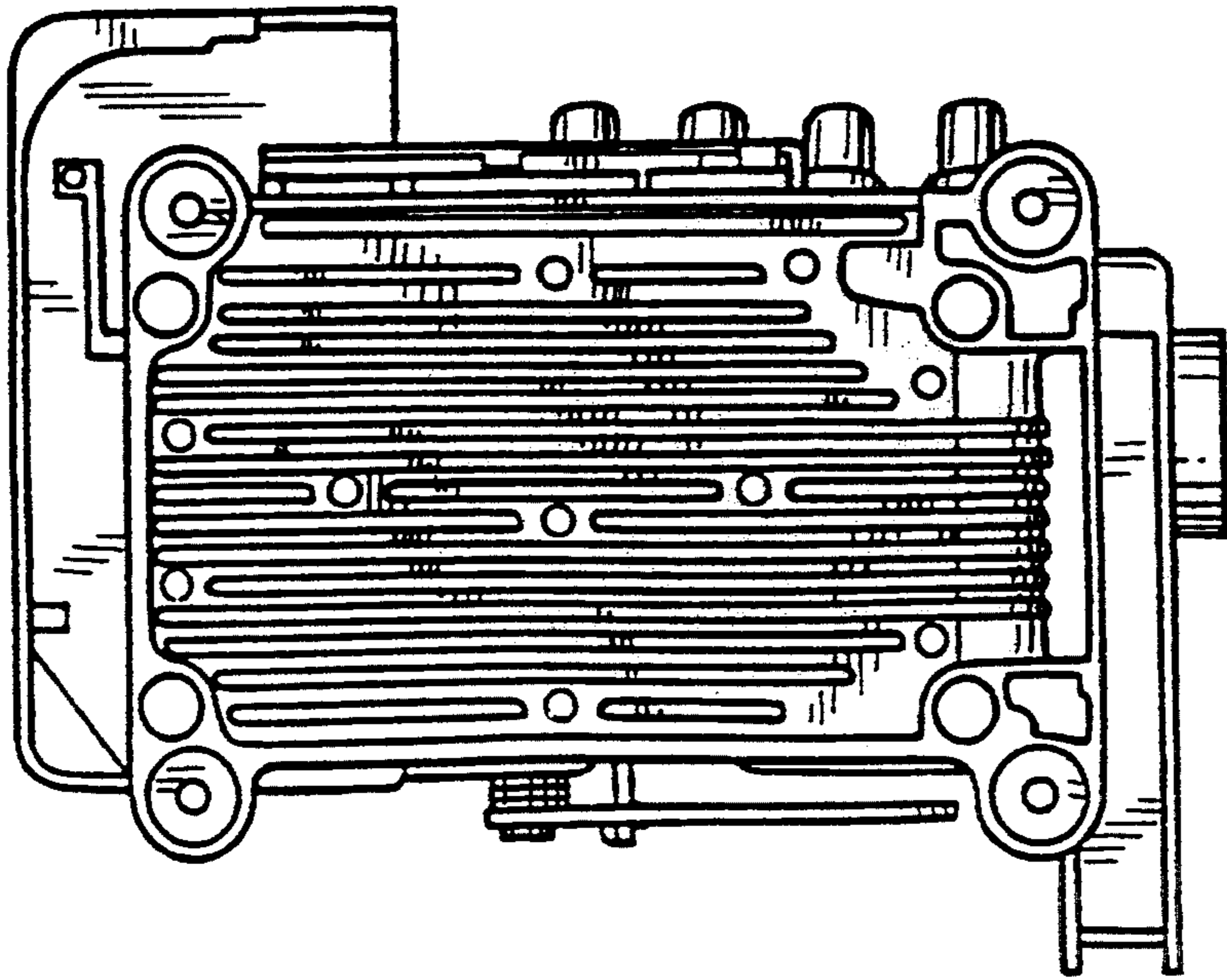


FIG. 4

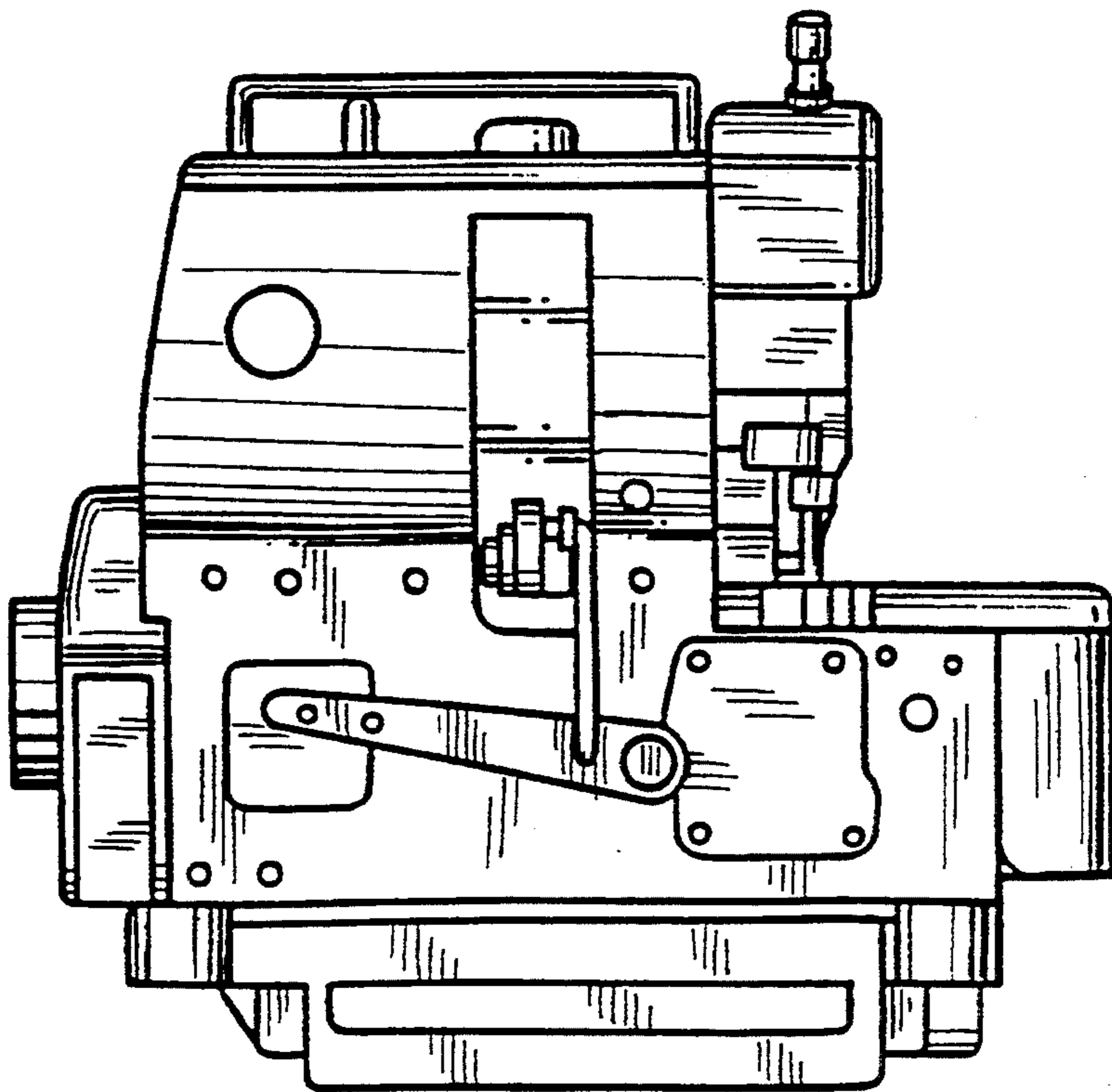


FIG. 7

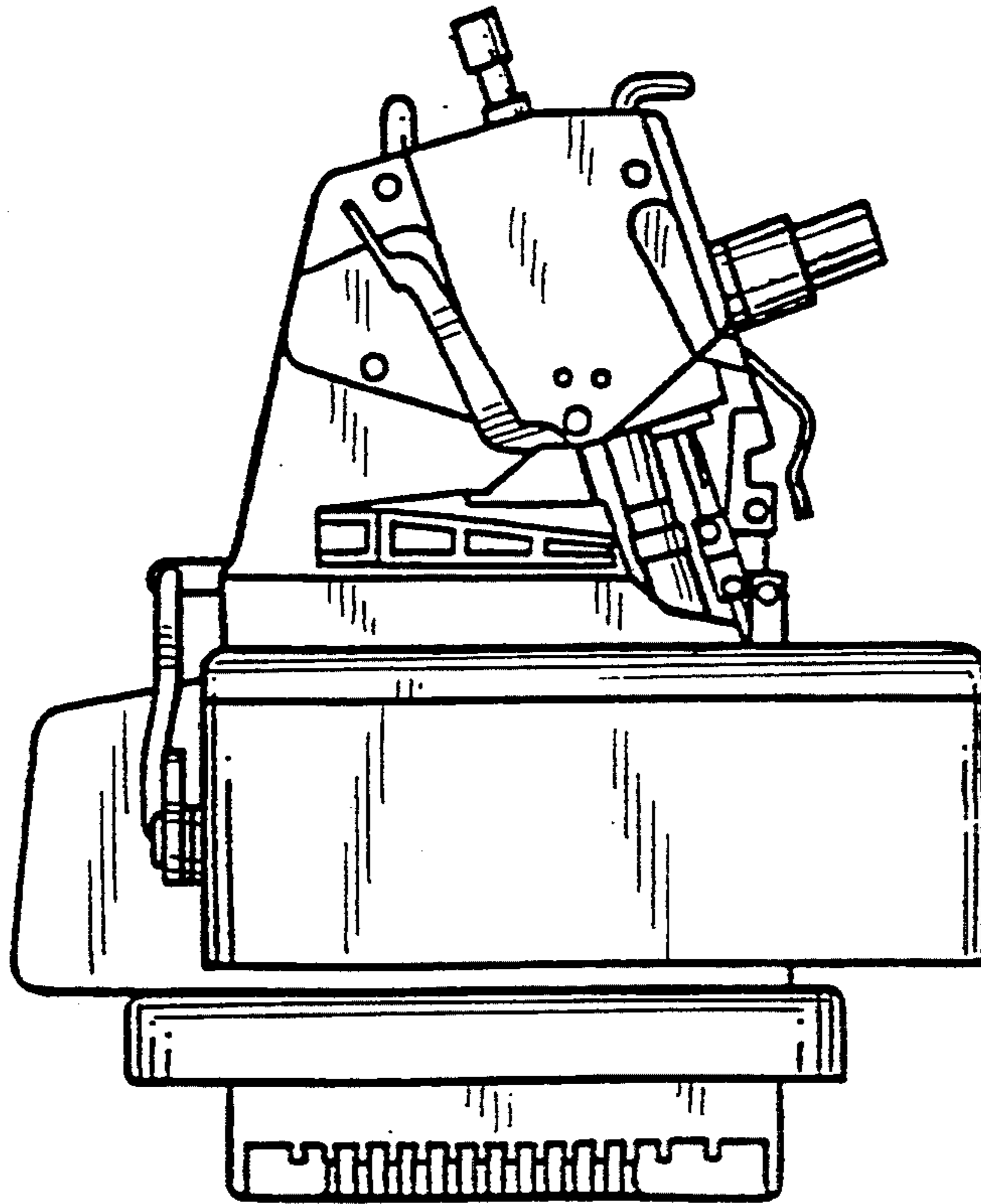


FIG. 5

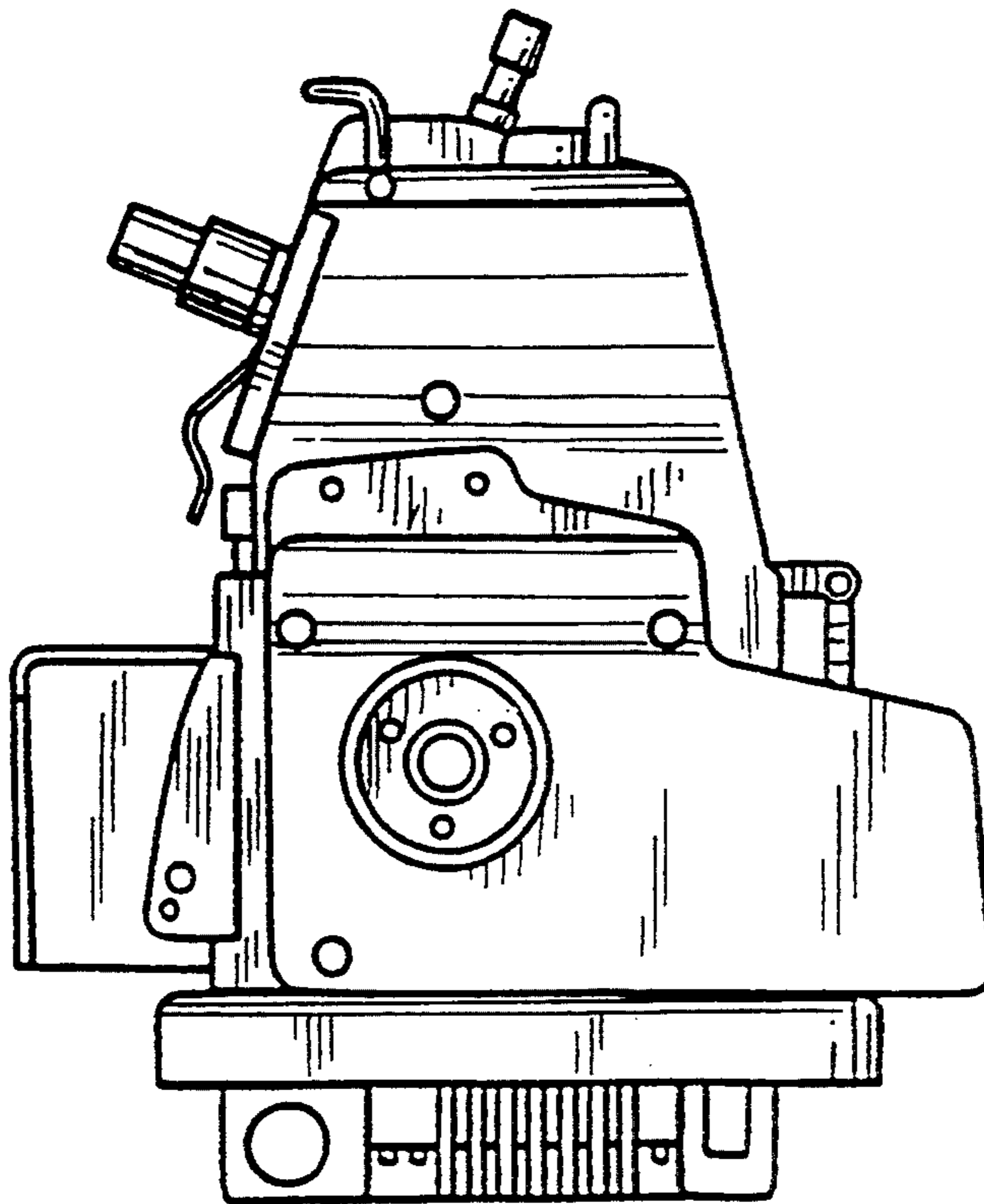


FIG. 6