



US00D359740S

United States Patent [19]

[11] Patent Number: Des. 359,740

Crosby et al.

[45] Date of Patent: ** Jun. 27, 1995

[54] RIDING LAWN MOWER

[75] Inventors: **Donald P. Crosby; Clair D. Splittstoesser**, both of Coffeyville, Kans.

[73] Assignee: **Dixon Industries, Inc.**, Coffeyville, Kans.

[**] Term: **14 Years**

[21] Appl. No.: **12,525**

[22] Filed: **Sep. 3, 1993**

[52] U.S. Cl. **D15/15**

[58] Field of Search **D15/10, 14-18, D15/22-26; 56/13.4, 16.6, 16.7, 202, 320.1, 320.2, DIG. 7; 180/89.1, 87.12, 900**

[56] References Cited

U.S. PATENT DOCUMENTS

D. 311,742	10/1990	Splittstoesser	D15/15
D. 331,243	11/1992	Woodhouse	D15/13
D. 340,459	10/1993	Kawakita et al.	D15/15
D. 340,936	11/1993	Matsuda et al.	D15/15
4,589,249	5/1986	Walker et al.	56/16.6
4,835,951	6/1989	Walker	56/16.6

OTHER PUBLICATIONS

Implement & Tractor Feb. 1991 p. 8 Grasshopper mower.

John Deere F500 Series Front Mower Brochure, Dec. 1991, cover.

Dixon ZTR Riding Mowers "Light Touch. Heavy Duty. Performance" Brochure, undated.

Primary Examiner—Terry A. Wallace

Assistant Examiner—Sandra Morris

Attorney, Agent, or Firm—Hovey, Williams, Timmons & Collins

[57] CLAIM

The ornamental design for a riding lawn mower, as shown and described.

DESCRIPTION

FIG. 1 is a right front perspective view of a riding lawn mower showing our new design;

FIG. 2 is a left side perspective view thereof;

FIG. 3 is a right rear perspective view thereof;

FIG. 4 is a left side perspective view thereof;

FIG. 5 is a top perspective view thereof;

FIG. 6 is a rear perspective view thereof;

FIG. 7 is a front perspective view thereof; and,

FIG. 8 is a right side elevational view thereof.

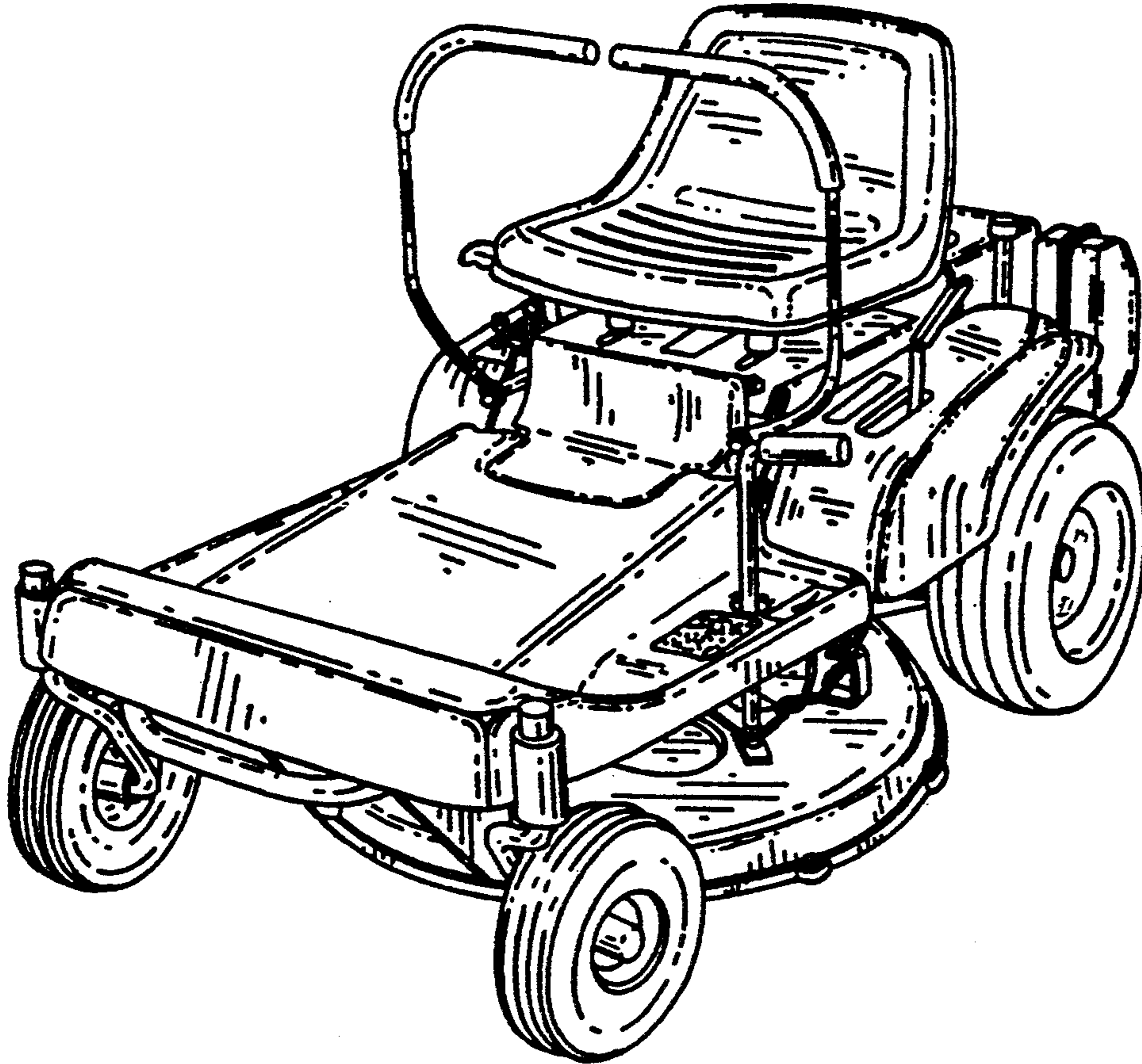


Fig. 3.

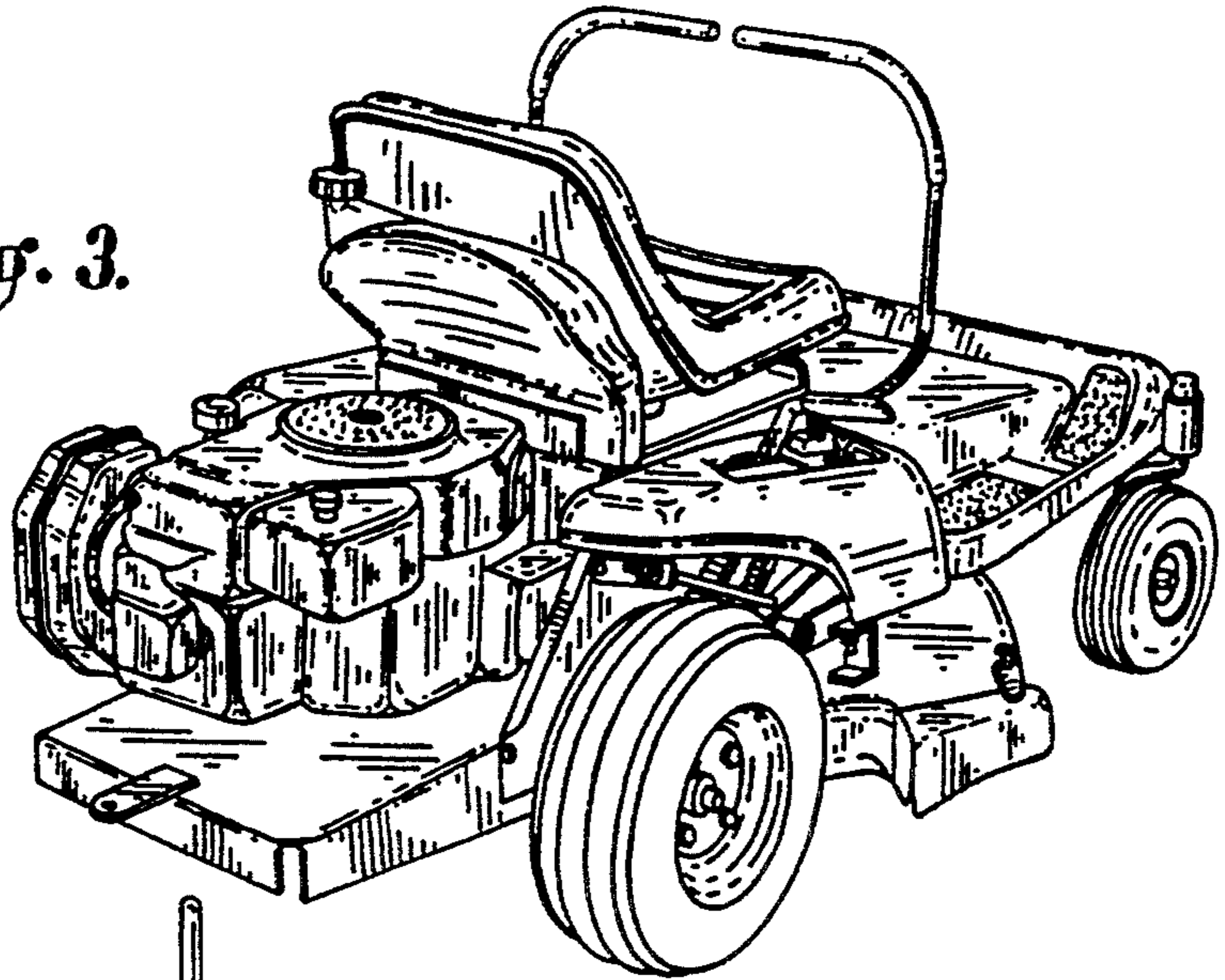


Fig. 2.

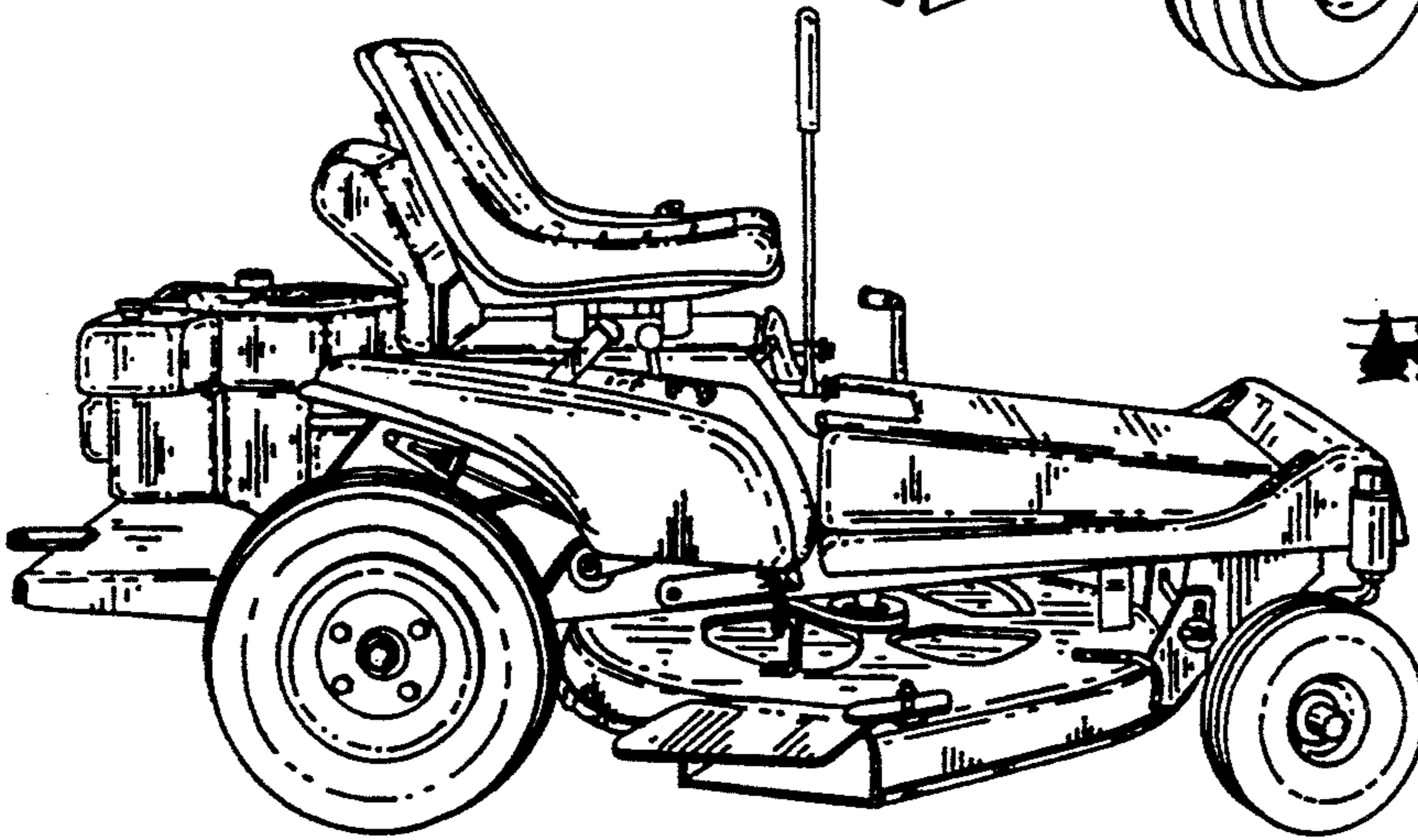
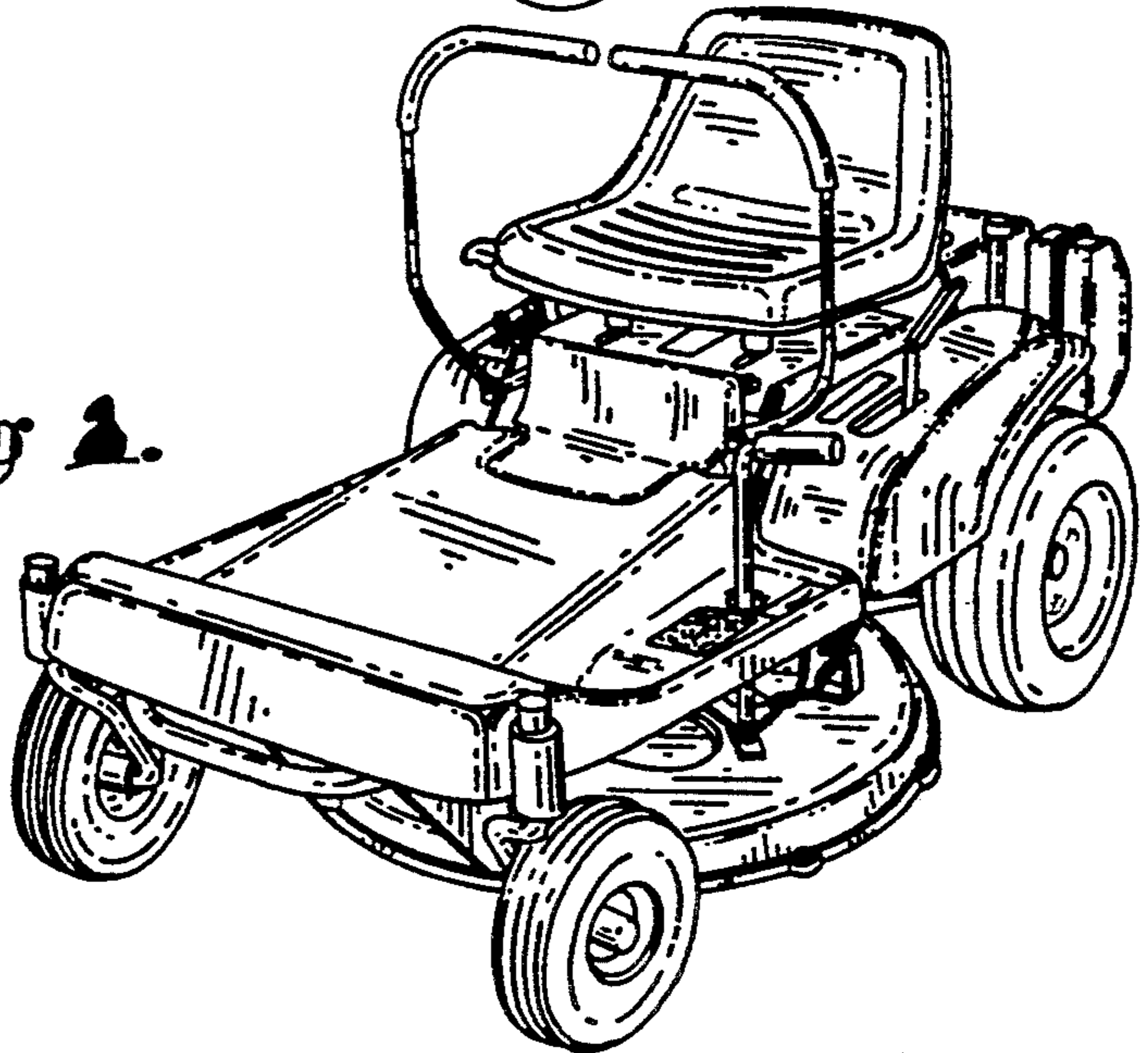


Fig. 1.



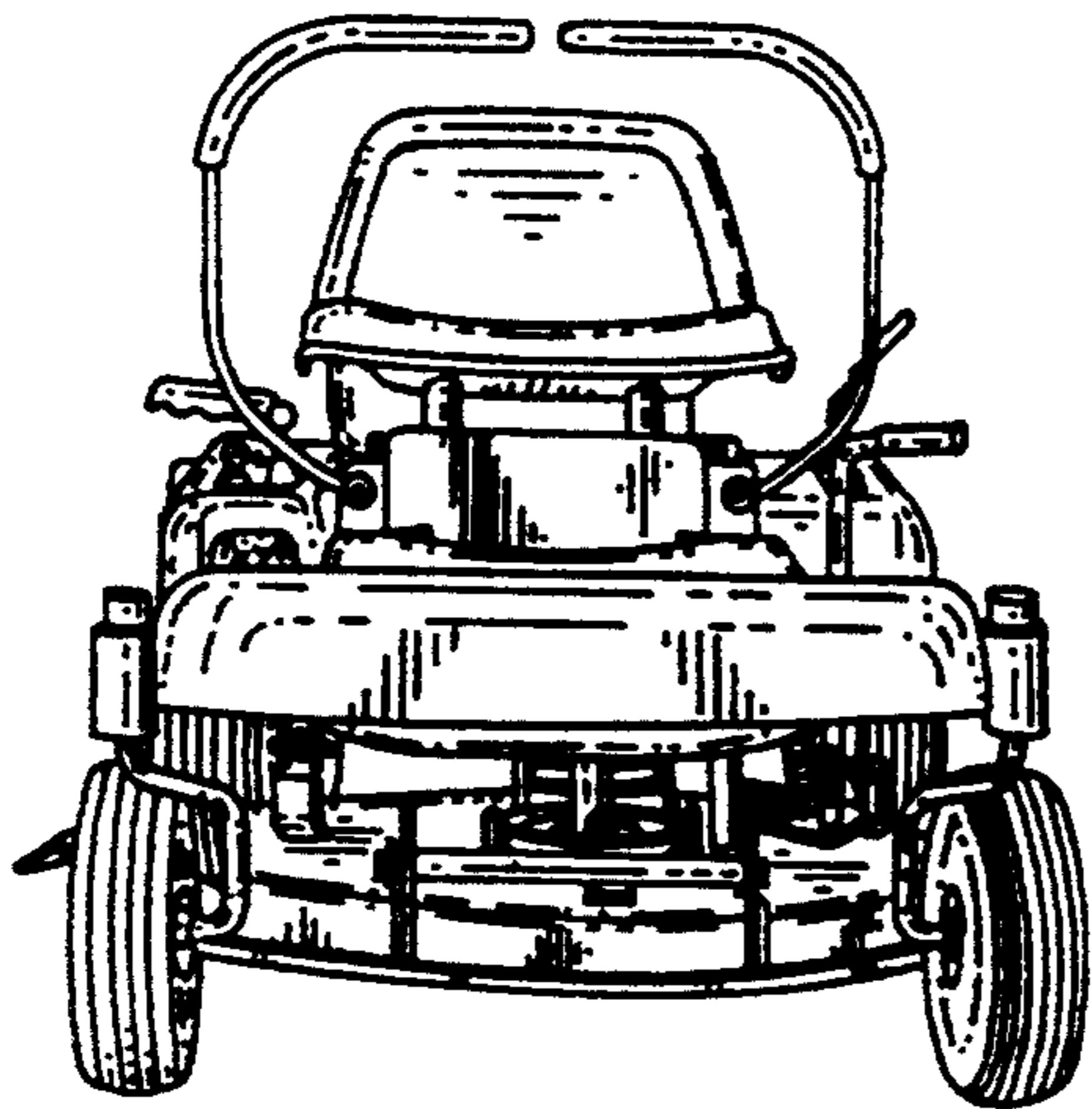


Fig. 7.

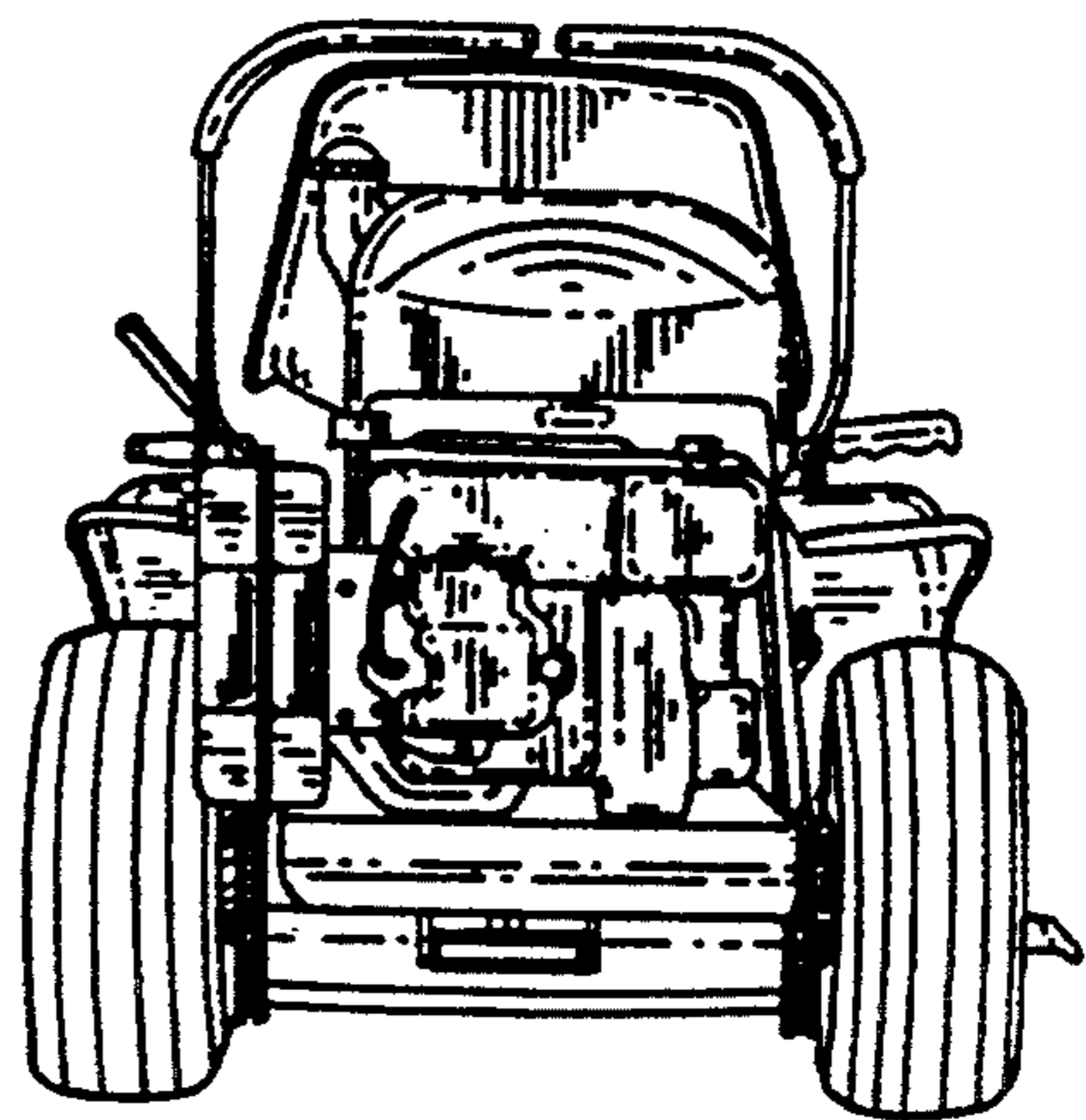


Fig. 6.

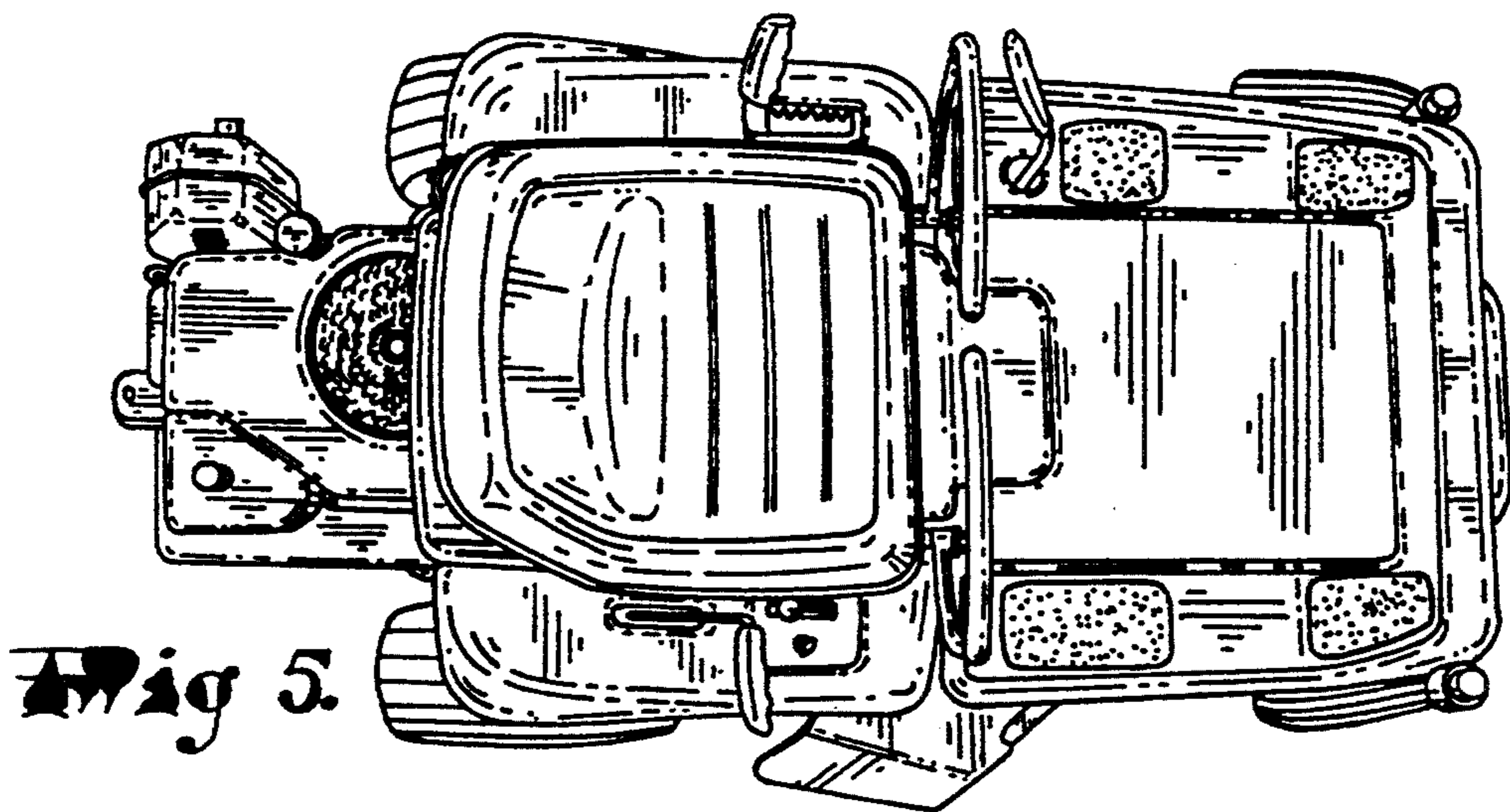


Fig. 5.

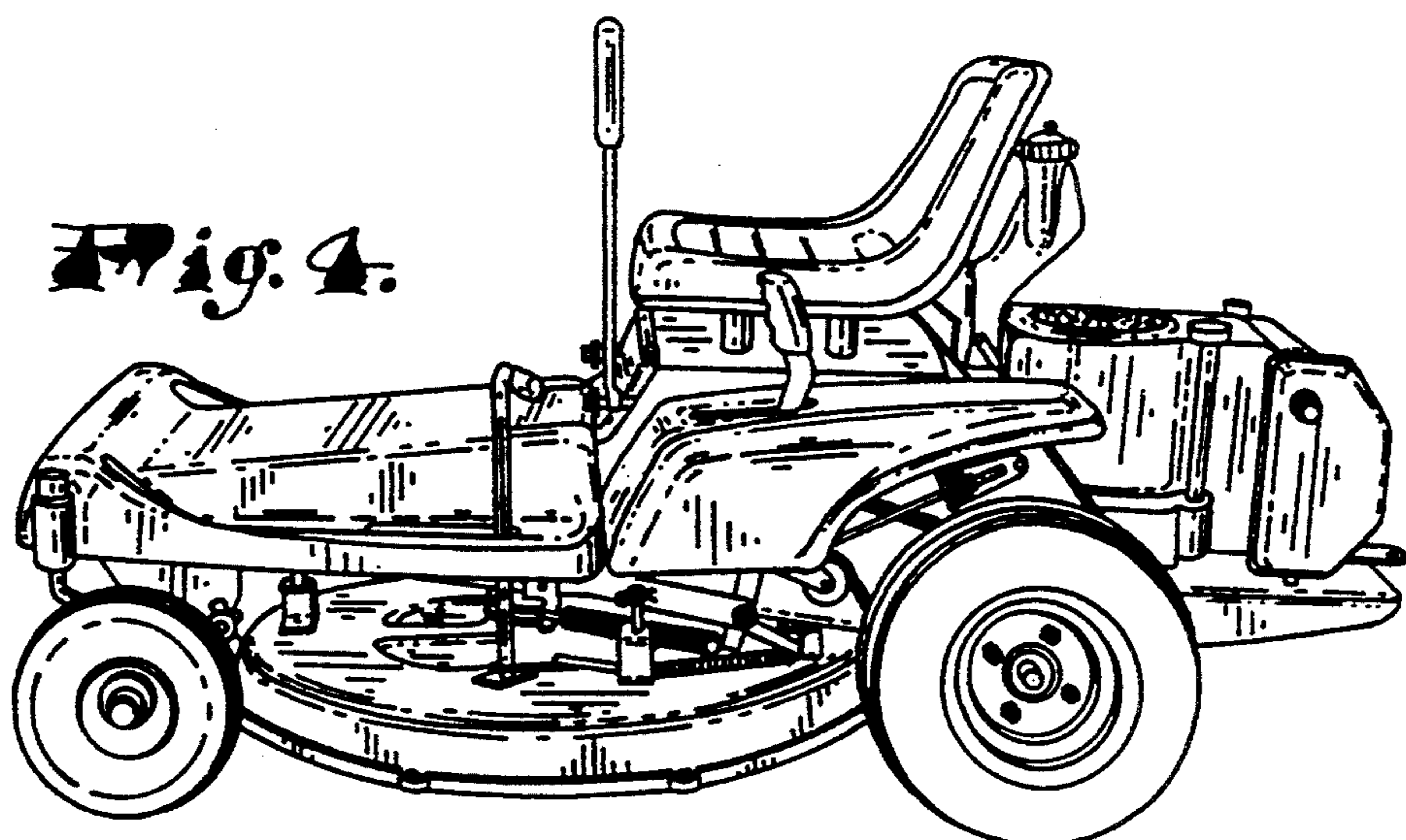


Fig. 4.

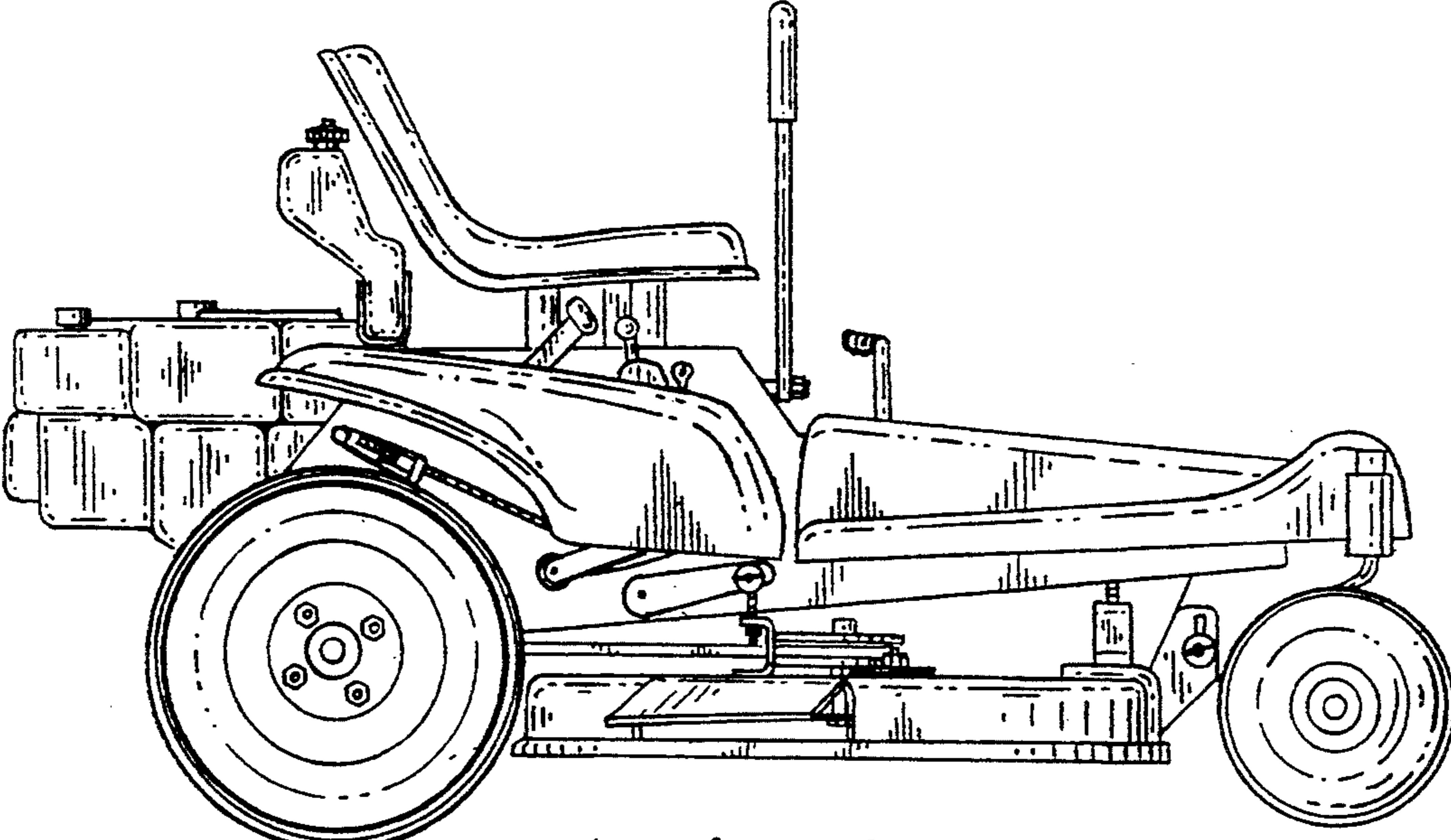


Fig. 8.