



US00D359738S

United States Patent [19]

[11] Patent Number: **Des. 359,738**

Shimada et al.

[45] Date of Patent: **** Jun. 27, 1995**

[54] **BASE FOR AN ANTENNA**

[75] Inventors: **Ichiro Shimada; Hideo Yamamoto,**
both of Tokyo, Japan

[73] Assignee: **Dai Ichi Denpa Kogyo Kabushiki**
Kaisha, Tokyo, Japan

[**] Term: **14 Years**

[21] Appl. No.: **12,012**

[22] Filed: **Aug. 20, 1993**

[30] **Foreign Application Priority Data**

Aug. 3, 1993 [JP] Japan 5-23719

[52] U.S. Cl. **D14/238**

[58] Field of Search D14/230-238,
D14/299; 343/713, 715, 880, 882;
248/514-515, 535, 539-541, 230, 218.4

[56] **References Cited**

U.S. PATENT DOCUMENTS

D. 272,537 2/1984 Spycher D14/238

OTHER PUBLICATIONS

Ham World Antennas & Accessories Catalog, Diamond
Antenna, 1988, p. 7.

Waldol, Powermount MK-30, cover page, p. 2, date
unknown.

Wave Gear, JA1A, p. 74 TB-2M date unknown.

News Release, Diamond Antenna, Rexant 12/93.

Primary Examiner—Terry A. Wallace

Attorney, Agent, or Firm—Ladas & Parry

[57] **CLAIM**

The ornamental design for a base for an antenna, as
shown.

DESCRIPTION

FIG. 1 is a front view of a base for an antenna showing
our new design;

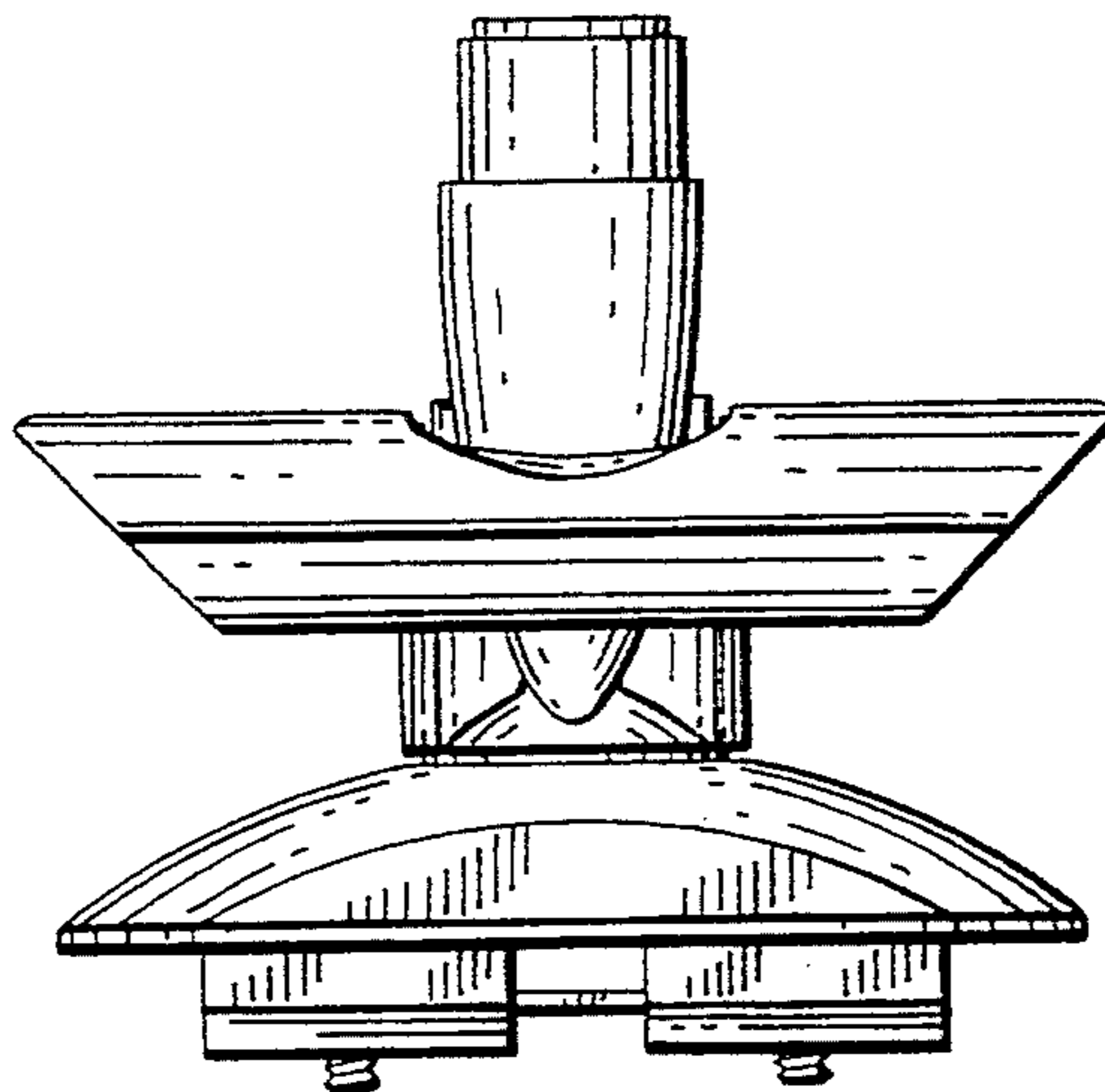
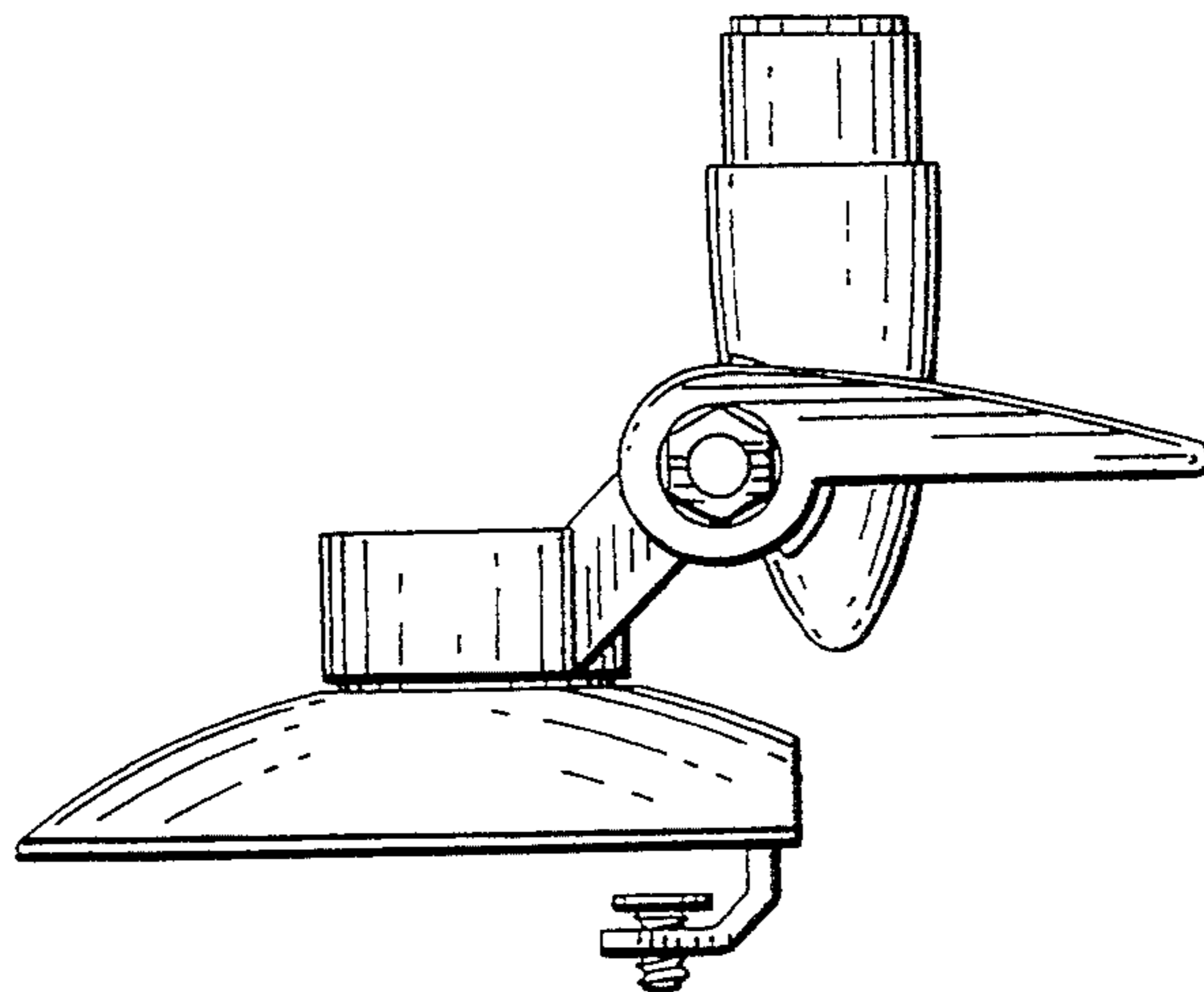
FIG. 2 is a rear view thereof;

FIG. 3 is a right side view thereof;

FIG. 4 is a left side view thereof;

FIG. 5 is a top view thereof; and,

FIG. 6 is a bottom view thereof.



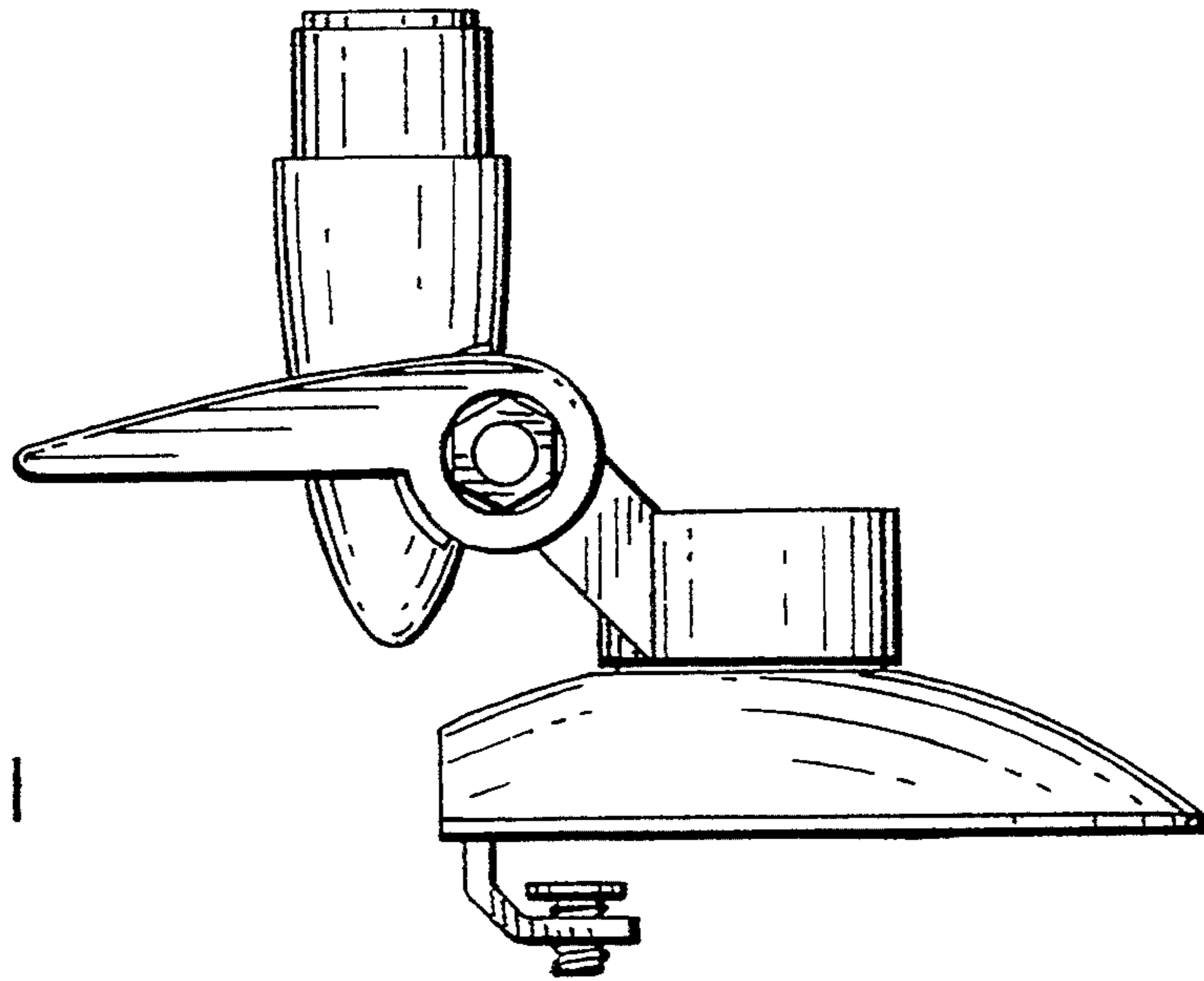


FIG. 1

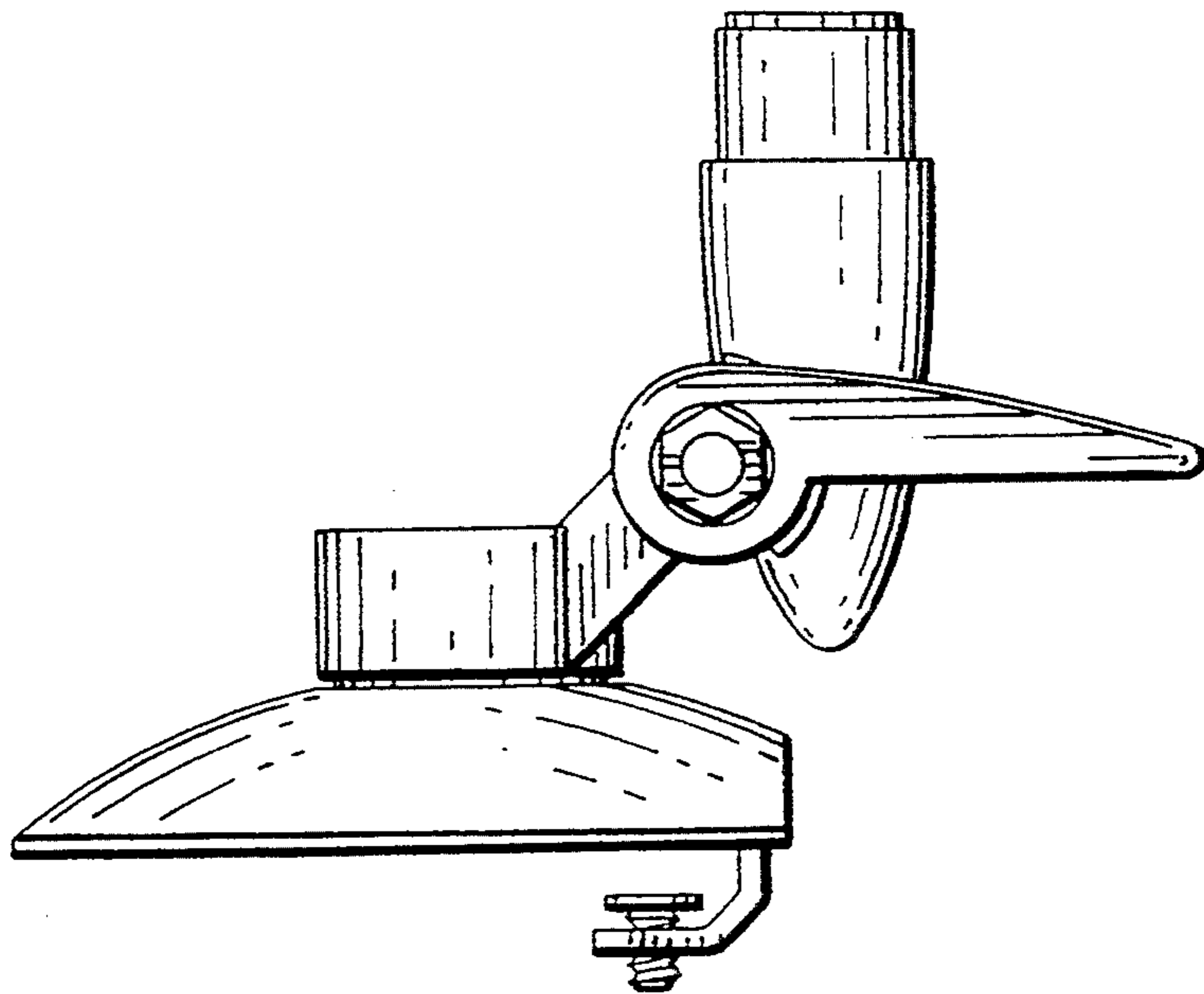


FIG. 2

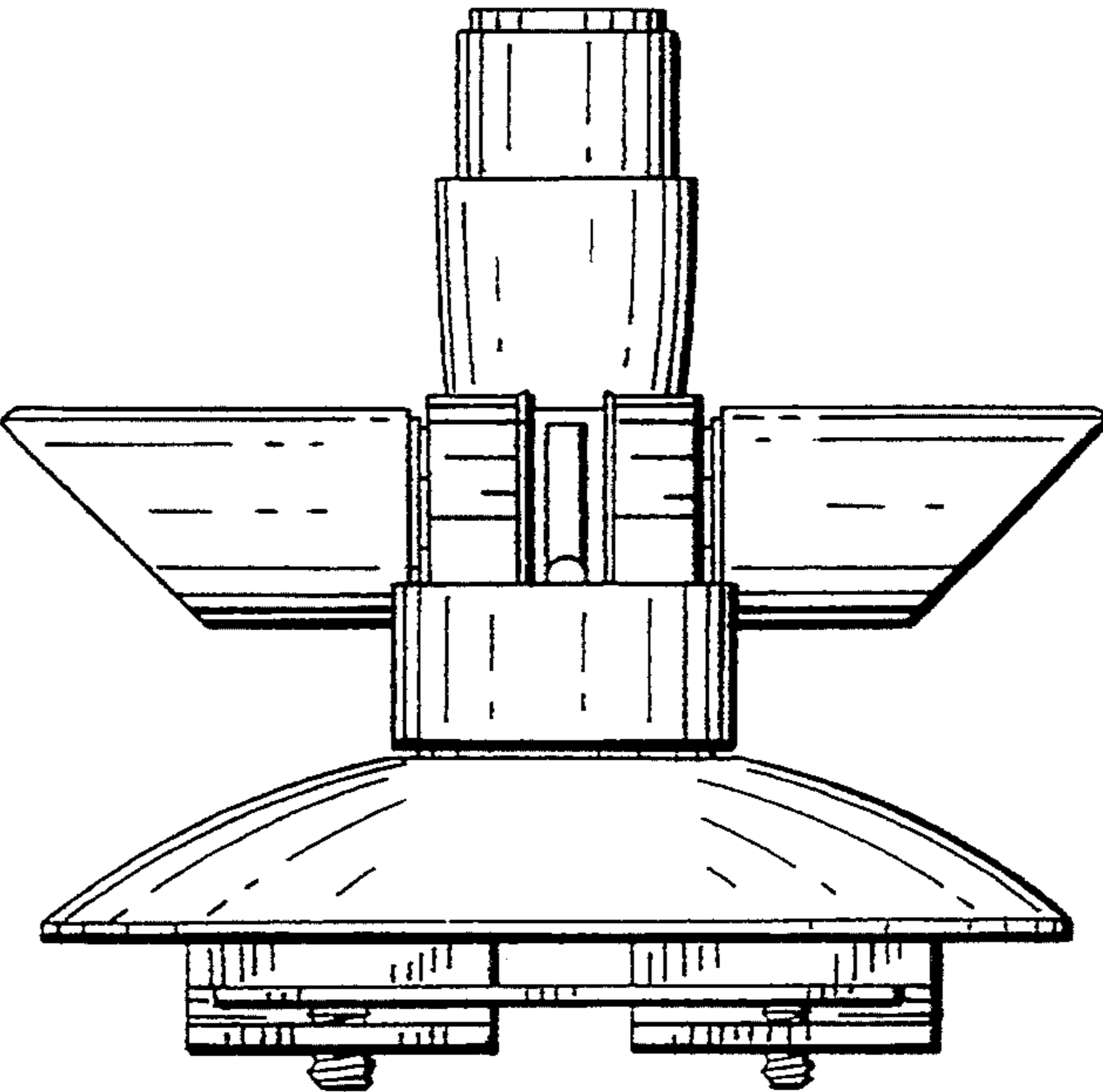


FIG. 3

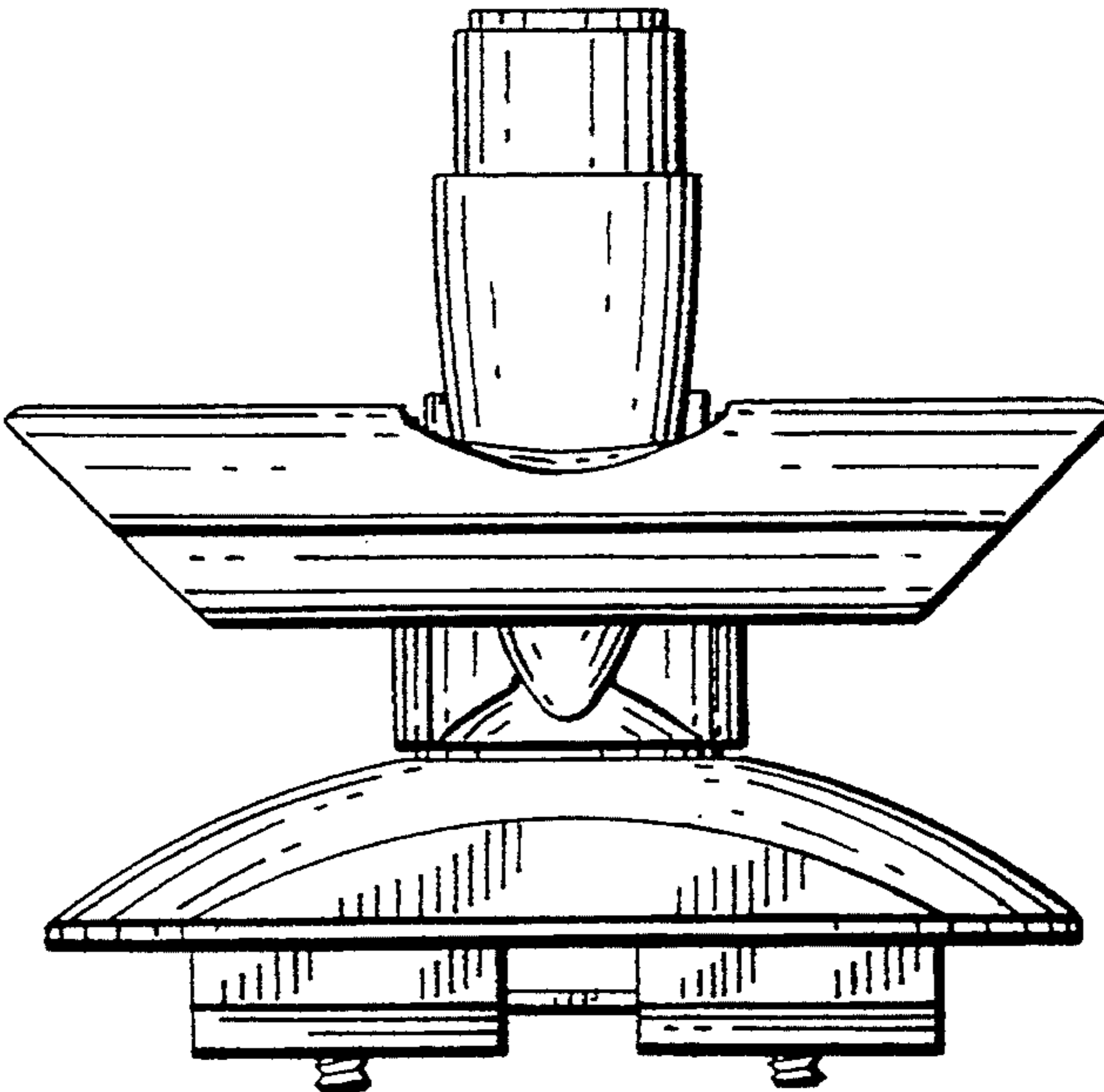


FIG. 4

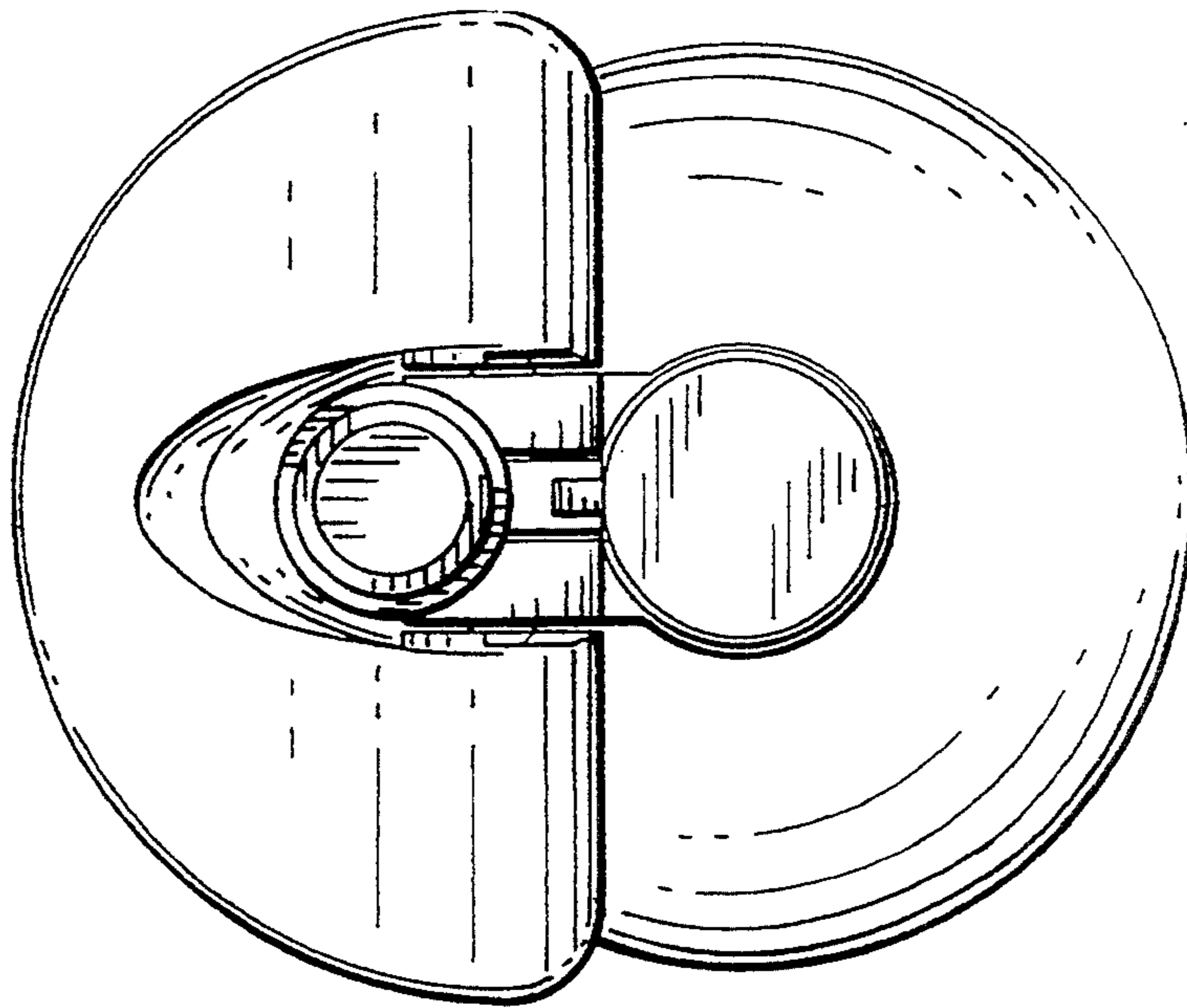


FIG. 5

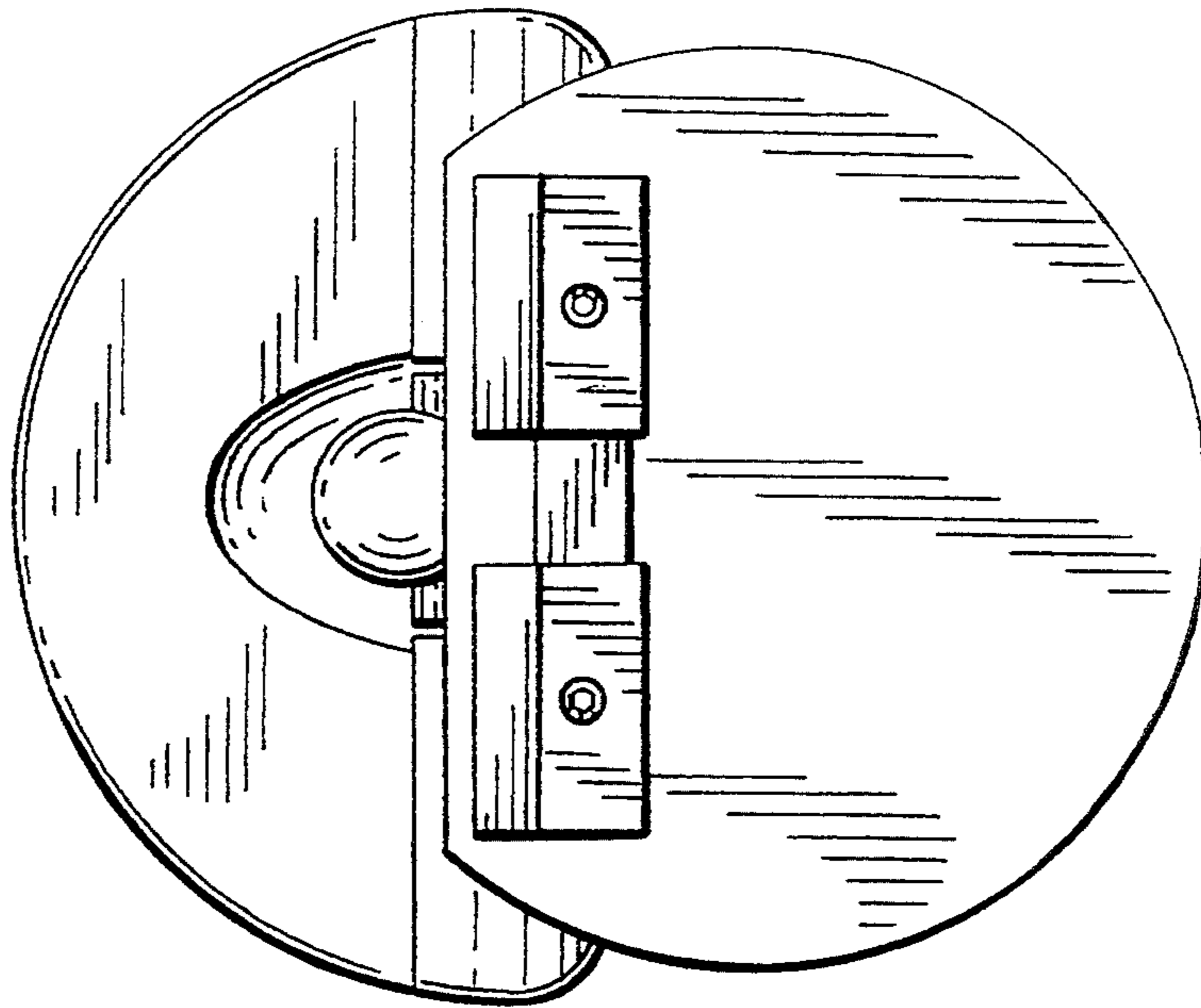


FIG. 6