



US00D359735S

United States Patent [19]

[11] Patent Number: Des. 359,735

Lindeman

[45] Date of Patent: ** Jun. 27, 1995

[54] TELEPHONE HANDSET HOUSING

[75] Inventor: Phillip E. Lindeman, Gurnee, Ill.

[73] Assignee: Motorola, Inc., Schaumburg, Ill.

[**] Term: 14 Years

[21] Appl. No.: 21,469

[22] Filed: Apr. 18, 1994

[52] U.S. Cl. D14/147; D14/247

[58] Field of Search D14/137, 138, 147-151,
D14/140, 142, 240, 247, 248; 379/58-61, 433,
434, 440, 419, 428

D. 299,136	12/1988	Taylor	D14/63
D. 315,346	3/1991	Nagele	D14/138
D. 315,907	4/1991	Wong et al.	D14/138 X
D. 316,859	5/1991	Wong et al.	D14/138 X
D. 322,783	12/1991	Sajuja et al.	D14/138
D. 325,029	3/1992	Nagele	D14/138
D. 339,582	9/1993	Wong et al.	D14/148
D. 342,729	12/1993	Nagele	D14/148
D. 343,173	1/1994	Soren	D14/247 X
D. 343,836	2/1994	Mischenko	D14/148
D. 355,910	2/1995	Lindeman	D14/247 X

Primary Examiner—Jeffrey Asch

Attorney, Agent, or Firm—John J. King; Dale B. Halling

[56] References Cited

U.S. PATENT DOCUMENTS

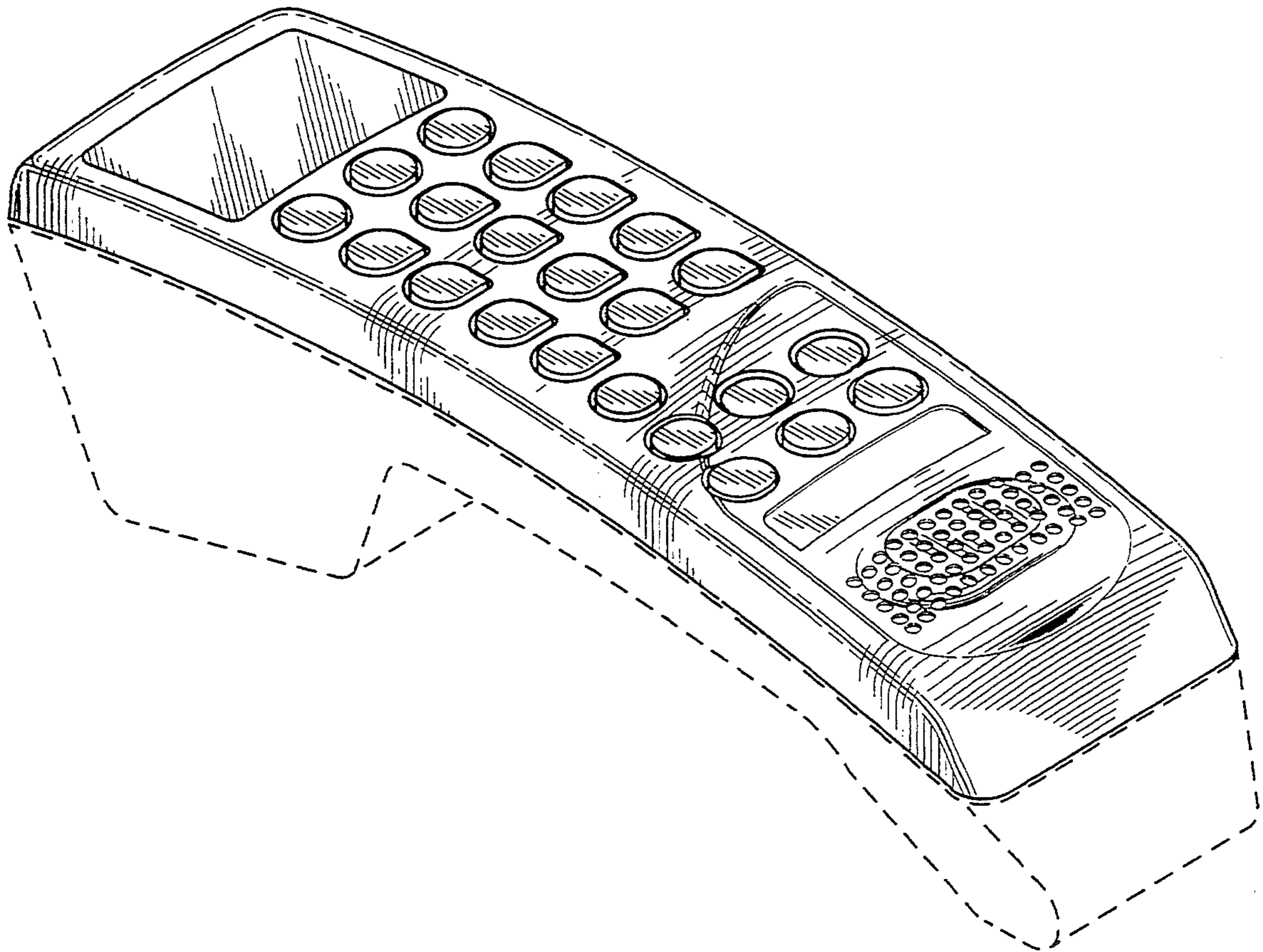
D. 246,043	10/1977	Taylor	D14/53
D. 246,103	10/1977	Taylor	D14/53
D. 248,758	8/1978	Krolopp et al.	D14/53
D. 260,518	9/1981	Larson	D14/53
D. 271,491	11/1983	Taylor	D14/76
D. 286,778	11/1986	Beaumont	D14/64
D. 292,578	11/1987	Taylor	D14/62
D. 292,920	11/1987	Taylor	D14/62
D. 295,973	5/1988	Nagele	D14/66
D. 295,975	5/1988	Taylor et al.	D14/64

[57] CLAIM

The ornamental design for a telephone handset housing, as shown and described.

DESCRIPTION

FIG. 1 is a top, left, front, perspective view of a telephone handset housing;
FIG. 2 is a right elevation view thereof; and,
FIG. 3 is a rear elevation view thereof.
The broken lines showing in FIGS. 1-3 are for illustrative purposes only and form no part of the claimed design.



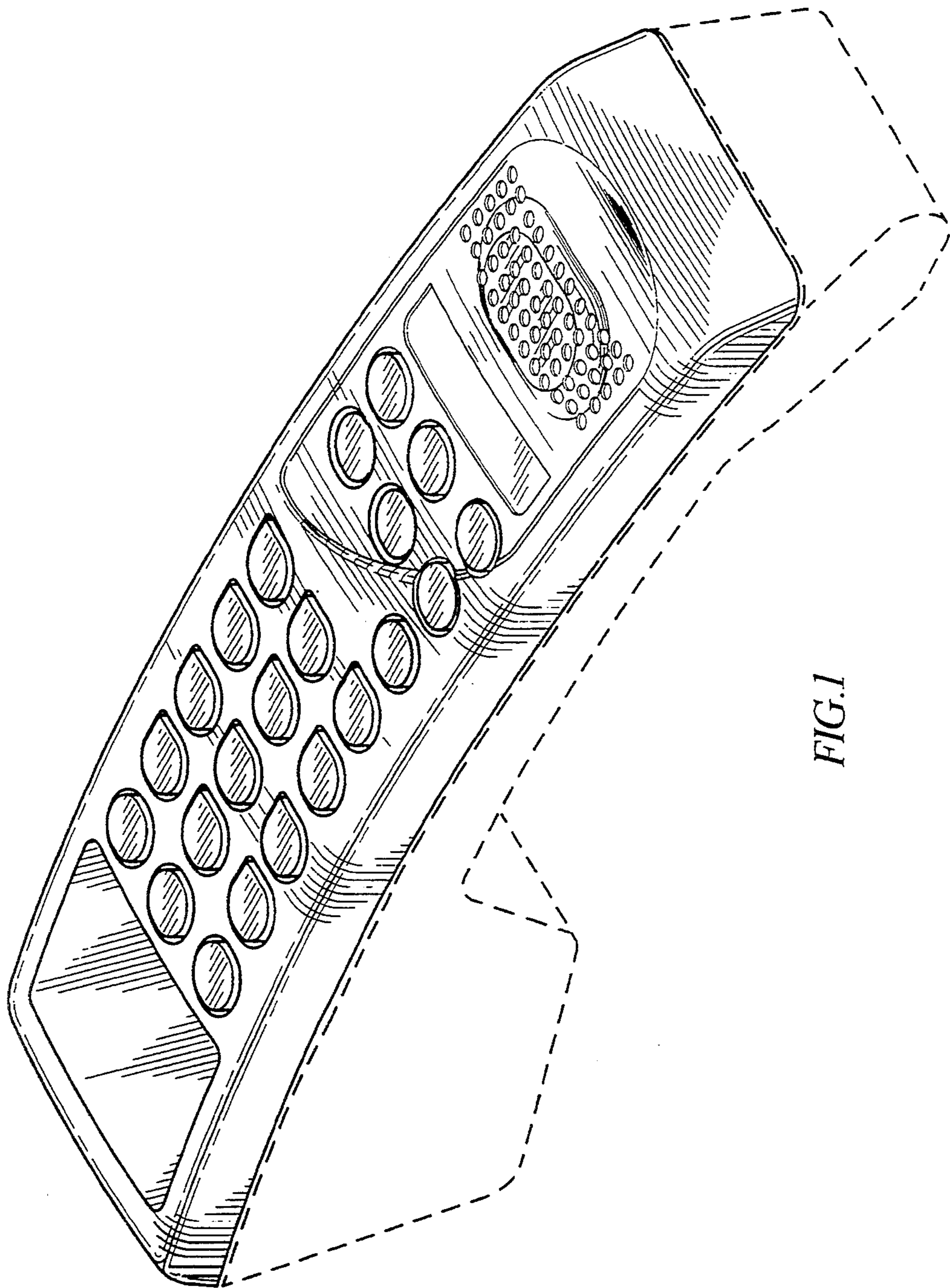


FIG. 1

