



US00D359729S

# United States Patent [19]

Shimasaki et al.

[11] Patent Number: Des. 359,729

[45] Date of Patent: \*\* Jun. 27, 1995

[54] PORTABLE INTERFACE UNIT FOR A HEAD-UP DISPLAY SYSTEM

[75] Inventors: Kevin W. Shimasaki; Joel W. Robinson, both of Bothell; Wendie L. Siverts, Everett, all of Wash.

[73] Assignee: Virtual Vision, Redmond, Wash.

[\*\*] Term: 14 Years

[21] Appl. No.: 2,329

[22] Filed: Dec. 4, 1992

[52] U.S. Cl. .... D14/107

[58] Field of Search ..... D14/100, 107, 114, 188, D14/172, 192, 205, 217, 230, 239, 125, 126, 299, 124, 113, 118, 137, 240; D13/147; 340/311.1, 825.44; 361/728, 730; 455/3.2, 3.3, 6.3, 24, 73, 79, 83, 89, 90, 97, 350

### [56] References Cited

#### U.S. PATENT DOCUMENTS

D. 302,811	8/1989	Bratasevec .....	D14/100
D. 327,260	6/1992	Davis et al. ....	D14/107
D. 327,879	7/1992	Lou .....	D14/107
D. 334,183	3/1993	Malon et al. ....	D14/107
D. 338,193	8/1993	Sasaki .....	D14/107
D. 341,133	11/1993	Miyake et al. ....	D14/107 X
3,249,873	5/1966	Whittemore, Jr. et al. ....	455/350 X
4,833,726	5/1989	Shinoda et al. ....	455/89

Primary Examiner—Freda S. Nunn  
Attorney, Agent, or Firm—McAndrews, Held & Malloy, Ltd.

### [57] CLAIM

The ornamental design for the portable interface unit for a head-up display system, as shown and described.

### DESCRIPTION

FIG. 1 is a reduced top perspective view of the portable interface unit for a head-up display system in an open position showing our new design;

FIG. 2 is a first end view of the portable interface unit of FIG. 1;

FIG. 3 is a top view of the portable interface unit of FIG. 1;

FIG. 4 is a first side view of the portable interface unit of FIG. 1;

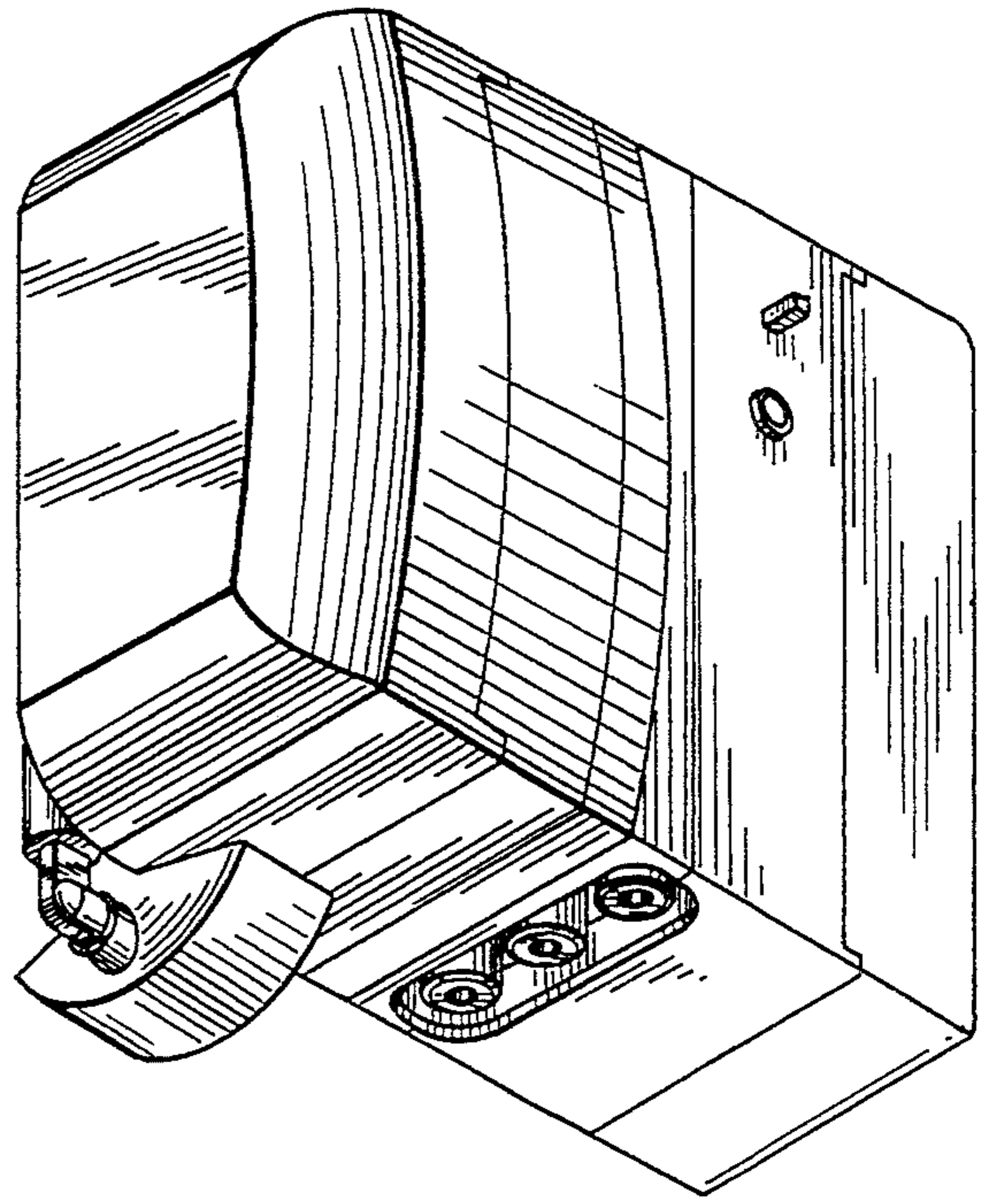
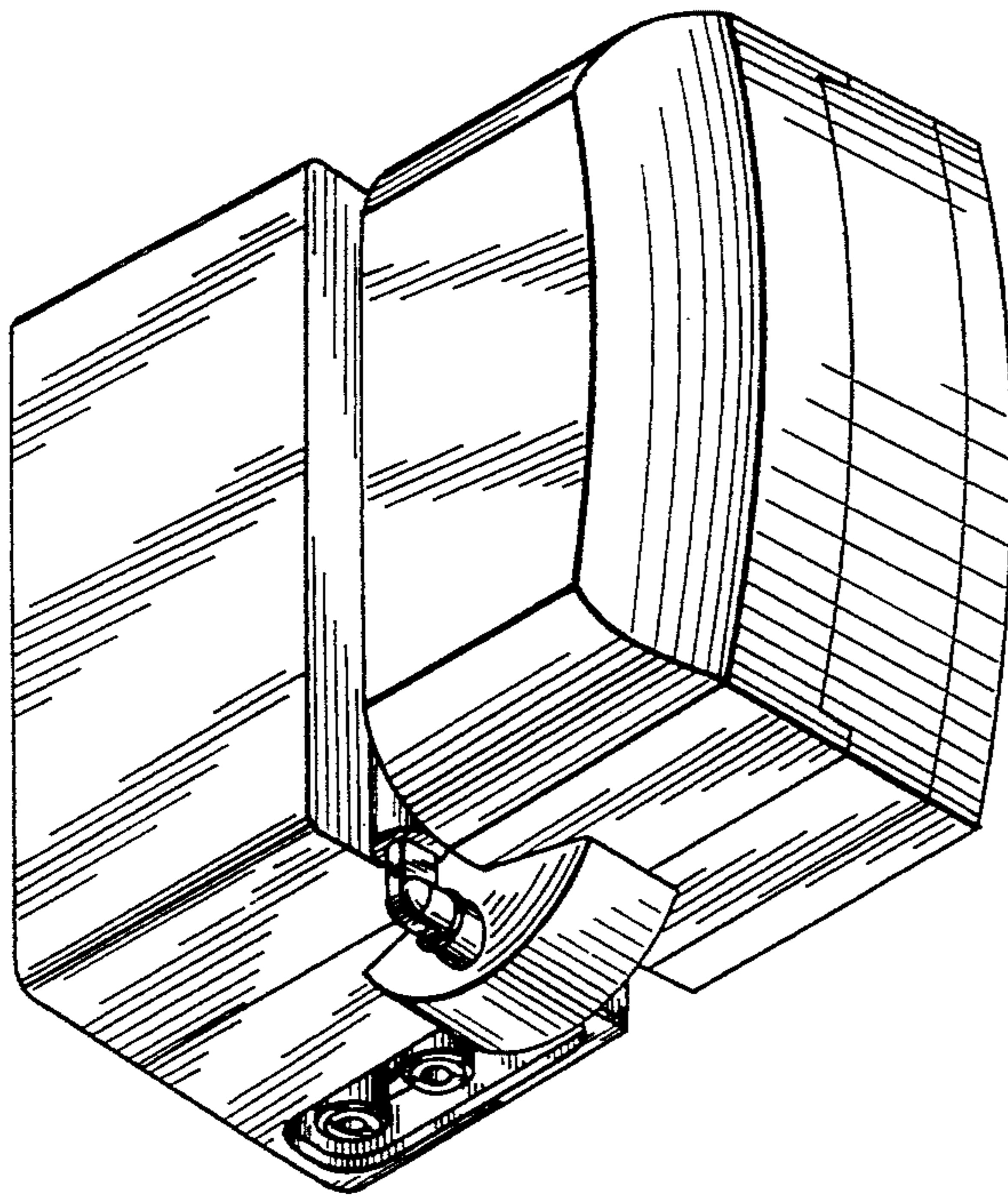
FIG. 5 is a second side view of the portable interface unit of FIG. 1;

FIG. 6 is a second end view of the portable interface unit of FIG. 1;

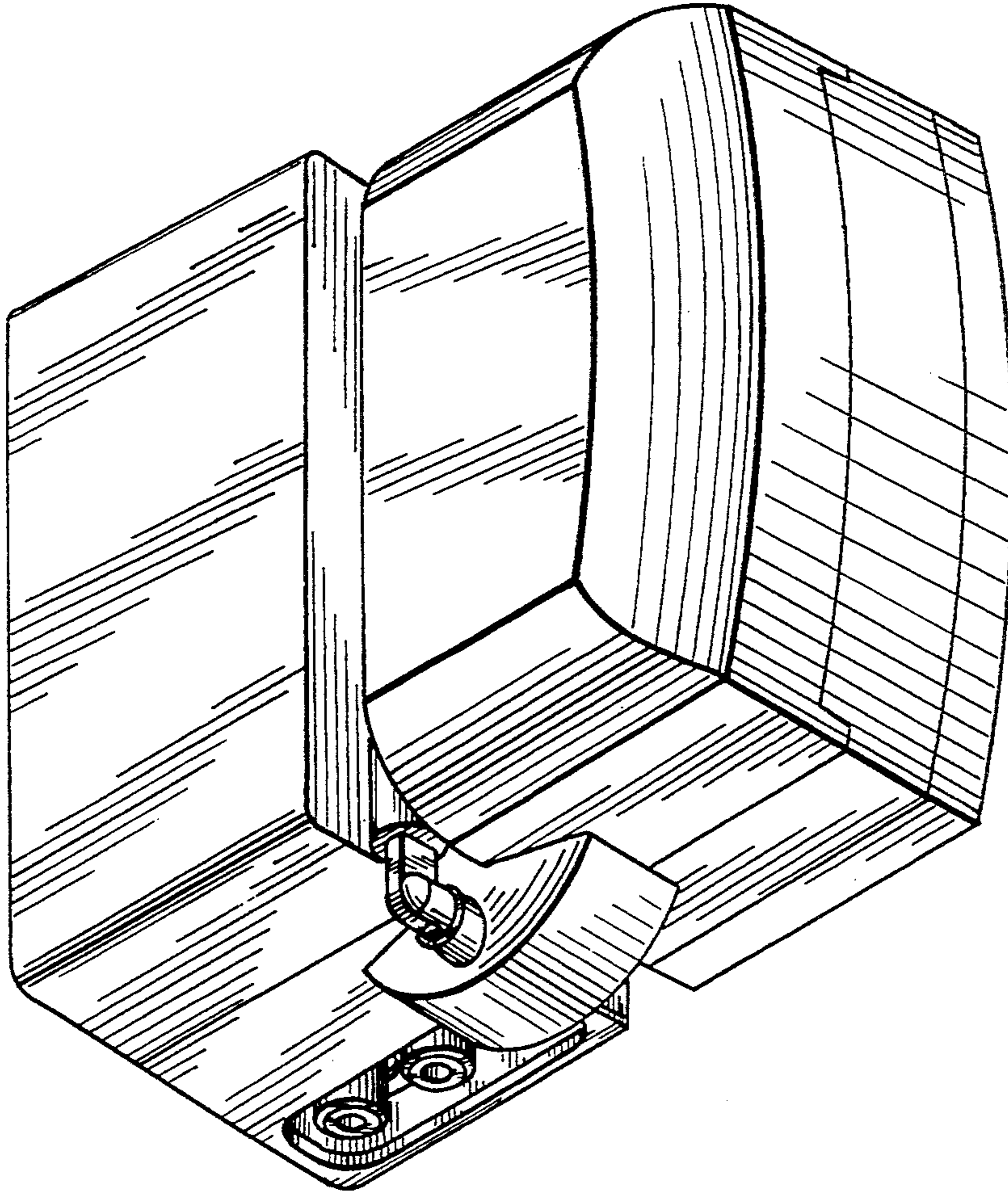
FIG. 7 is a bottom view of the portable interface unit of FIG. 1;

FIG. 8 is a perspective view of the portable interface unit shown in a closed position; and,

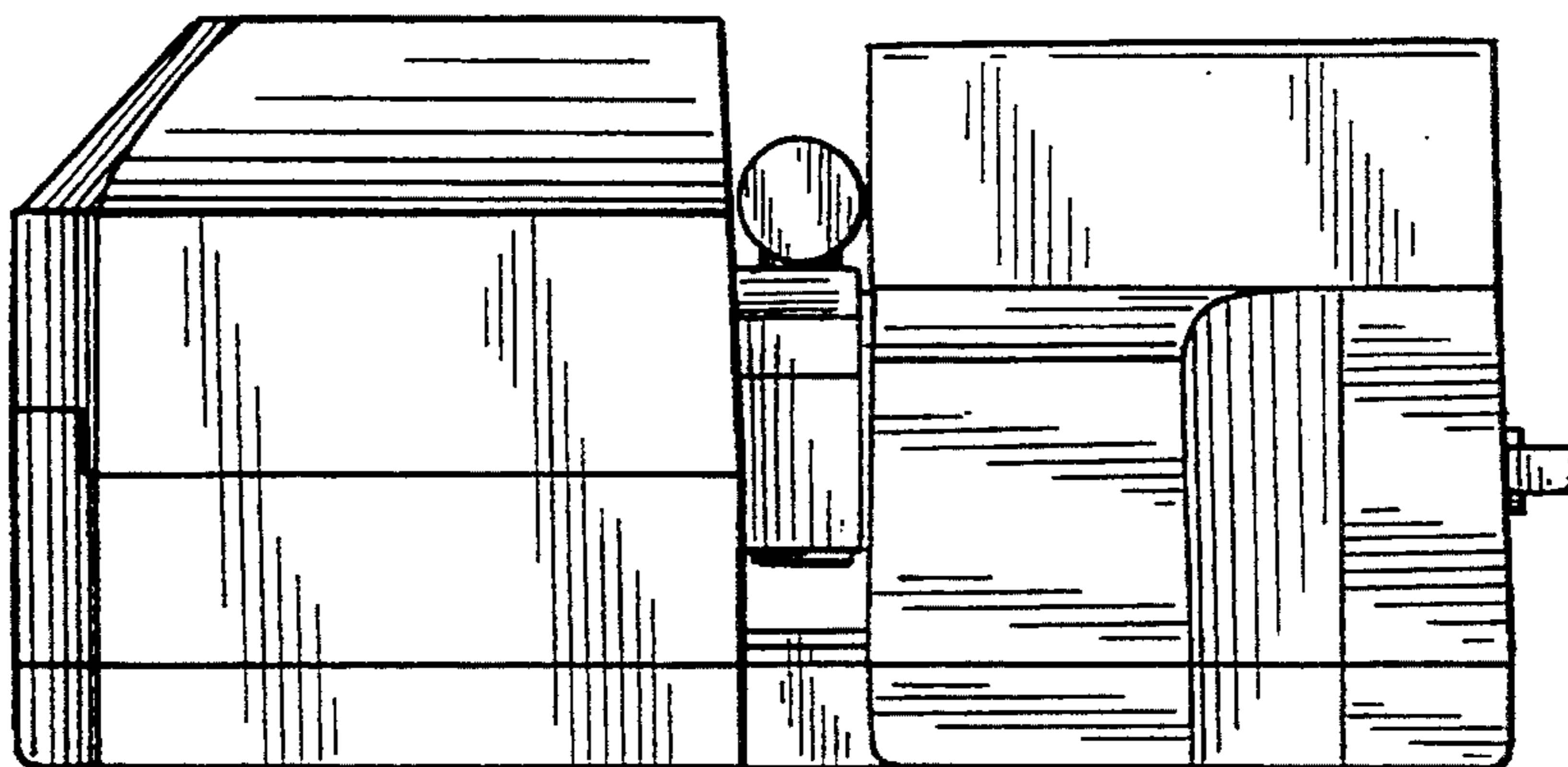
FIG. 9 is a perspective view of the portable interface unit of FIG. 1 shown with an extended antenna.



*Fig. 1*

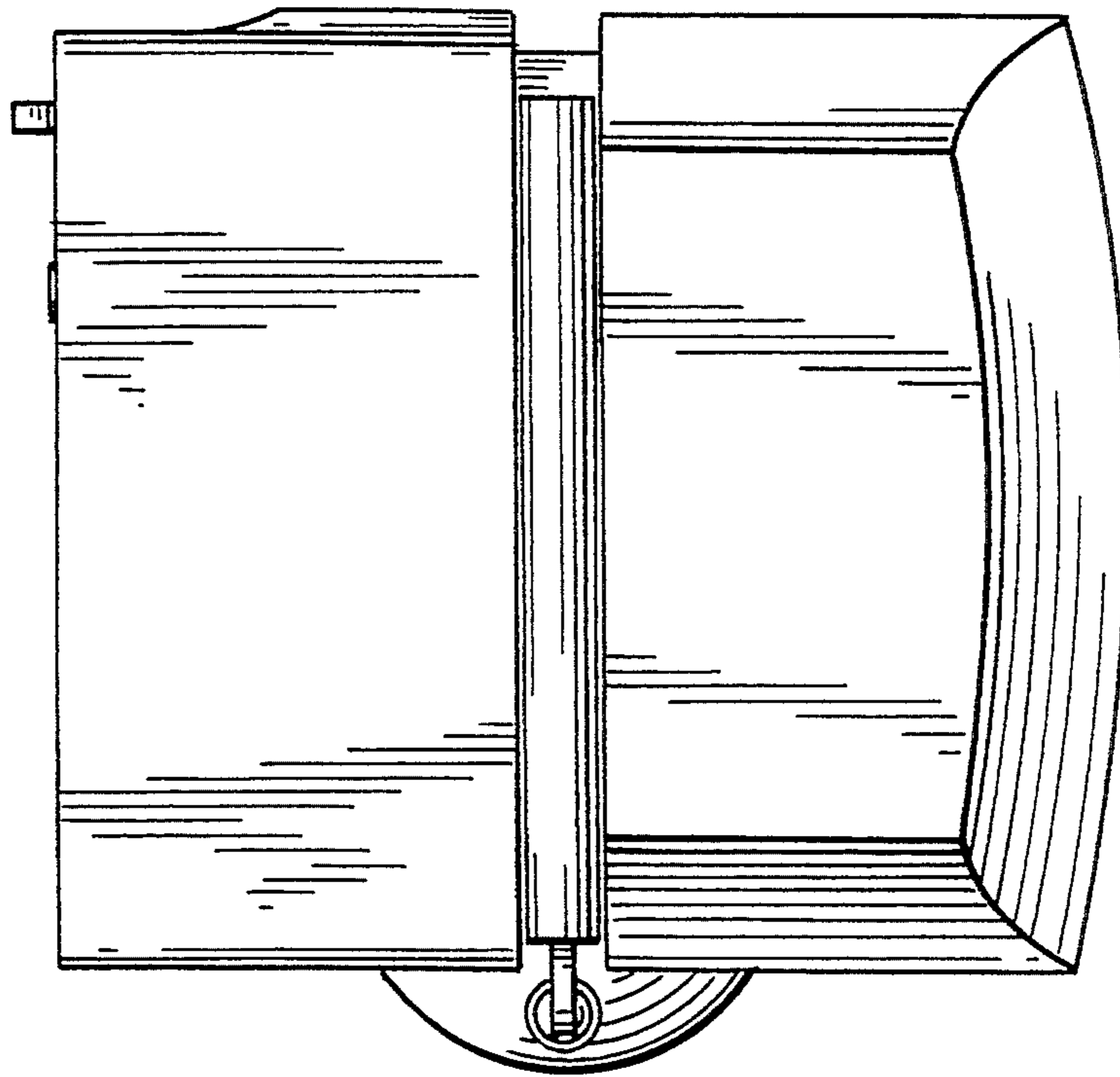


*Fig. 2*

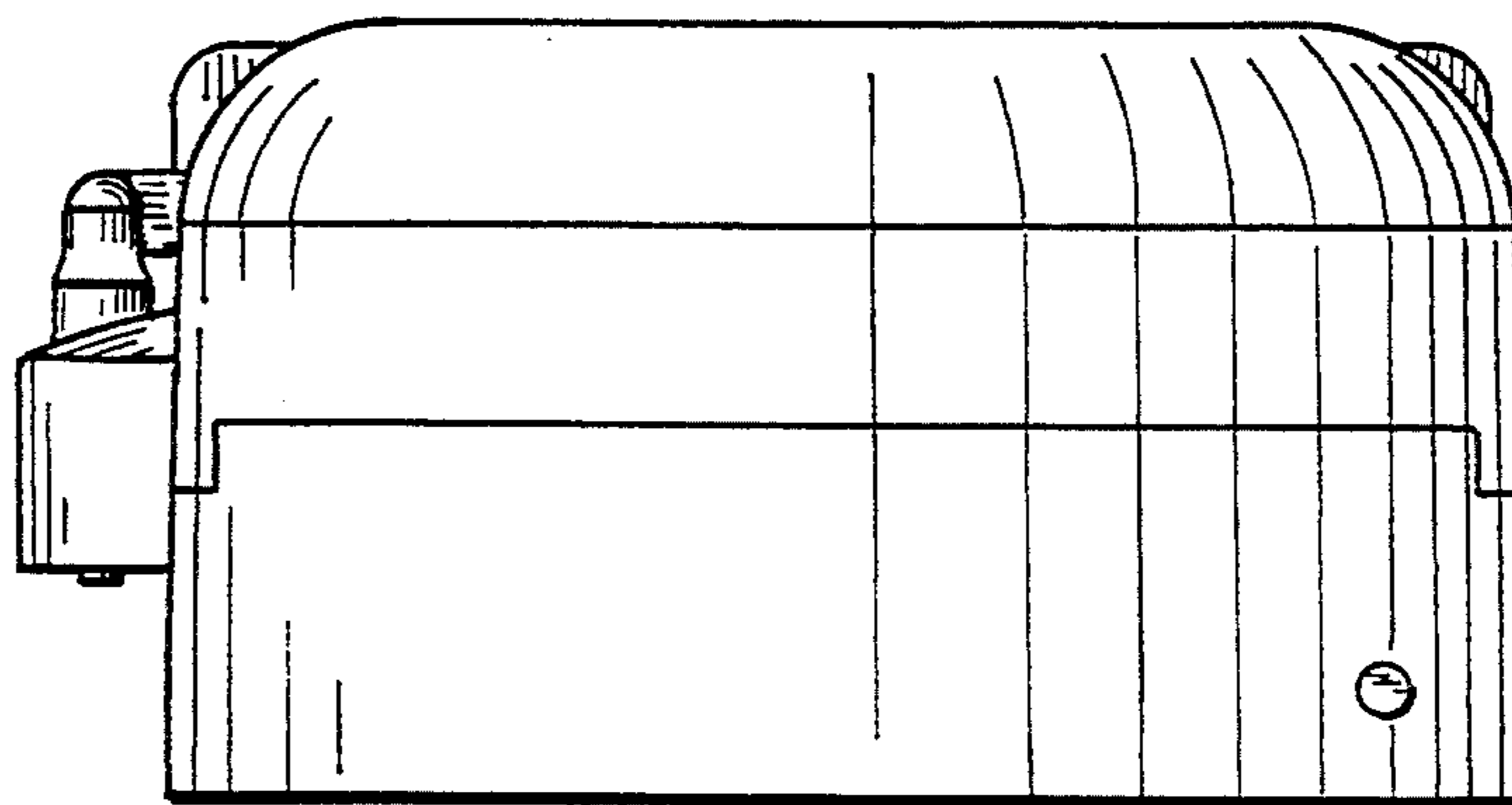




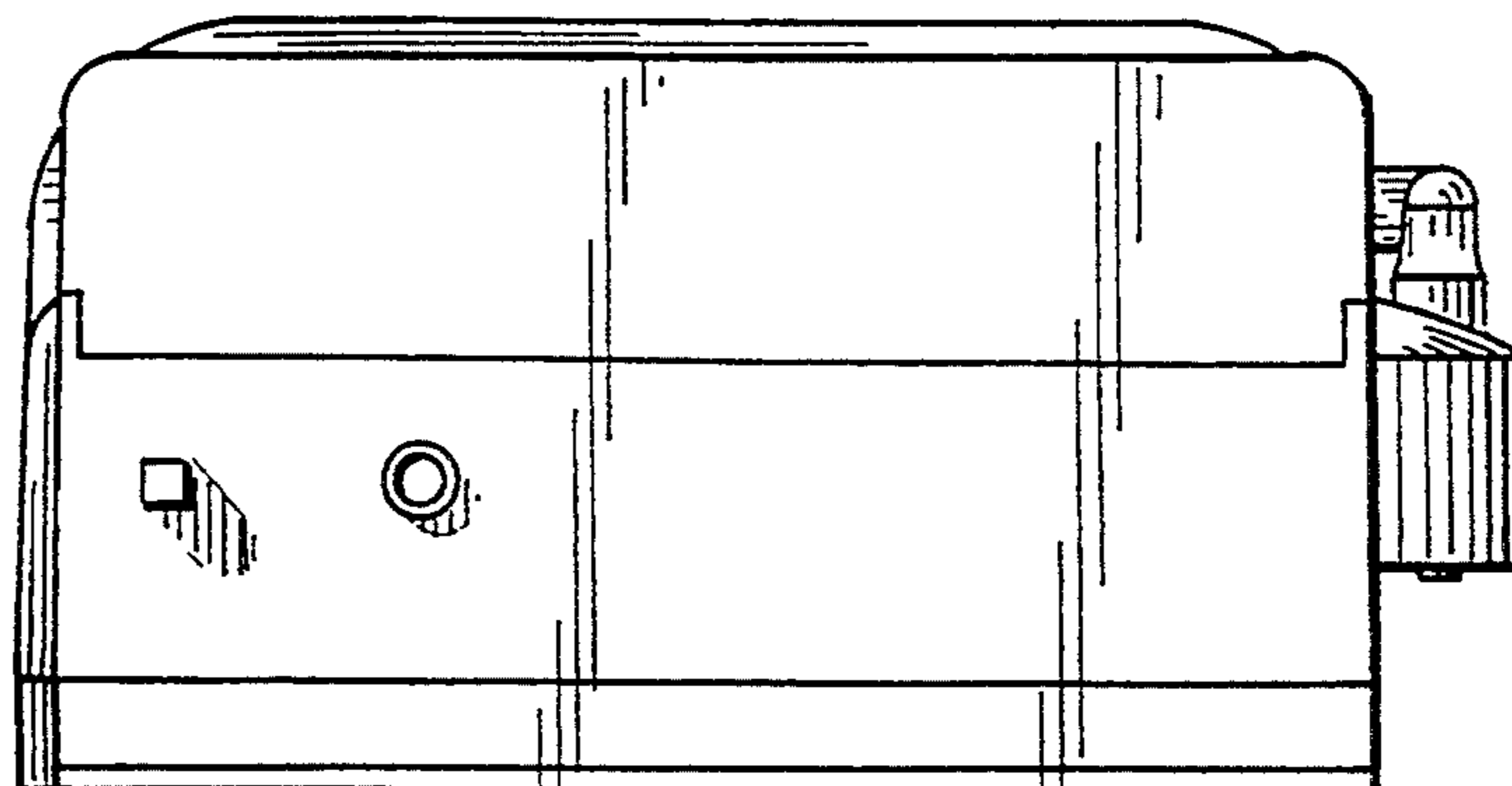
*Fig. 3*



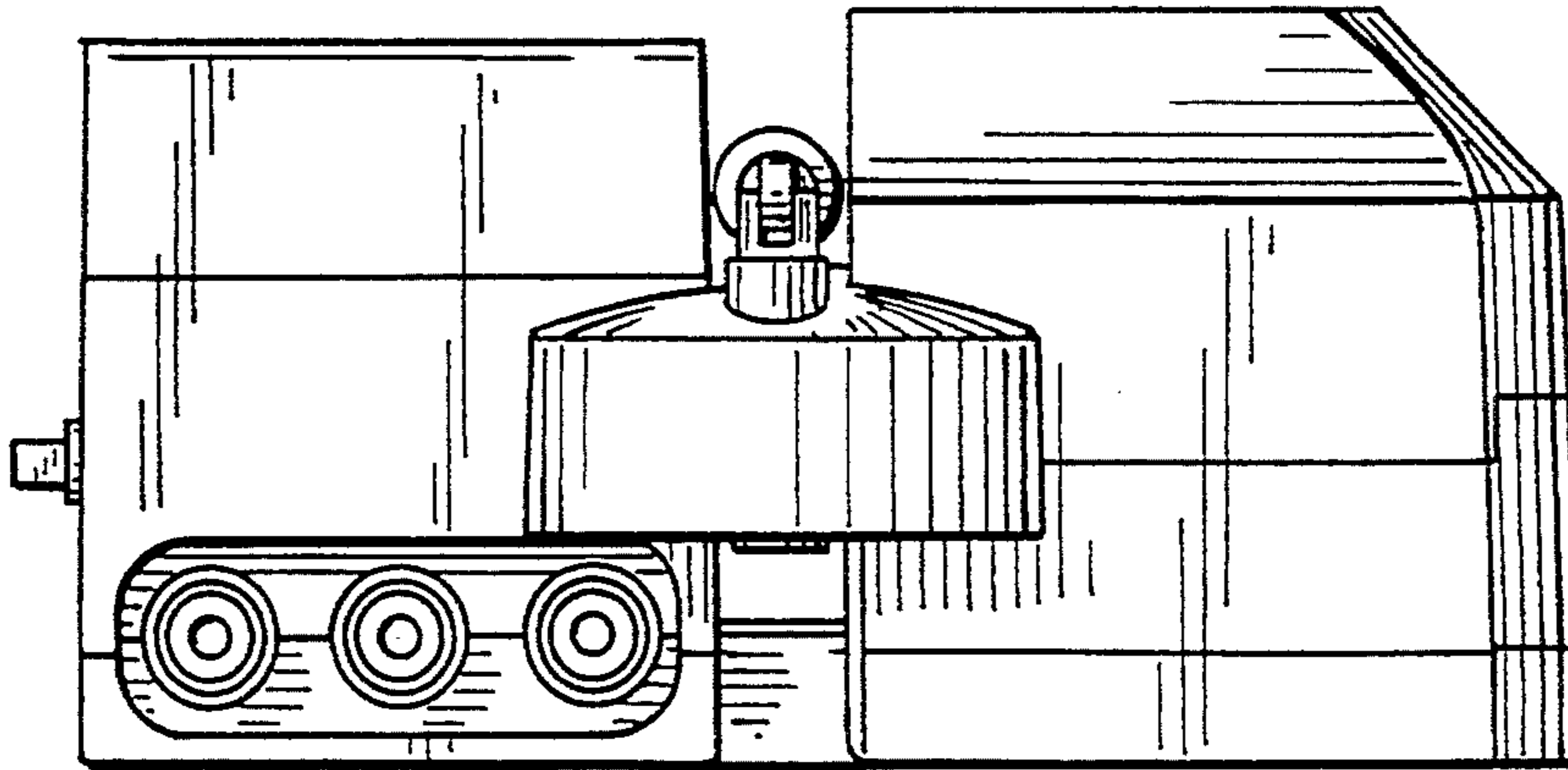
*Fig. 4*



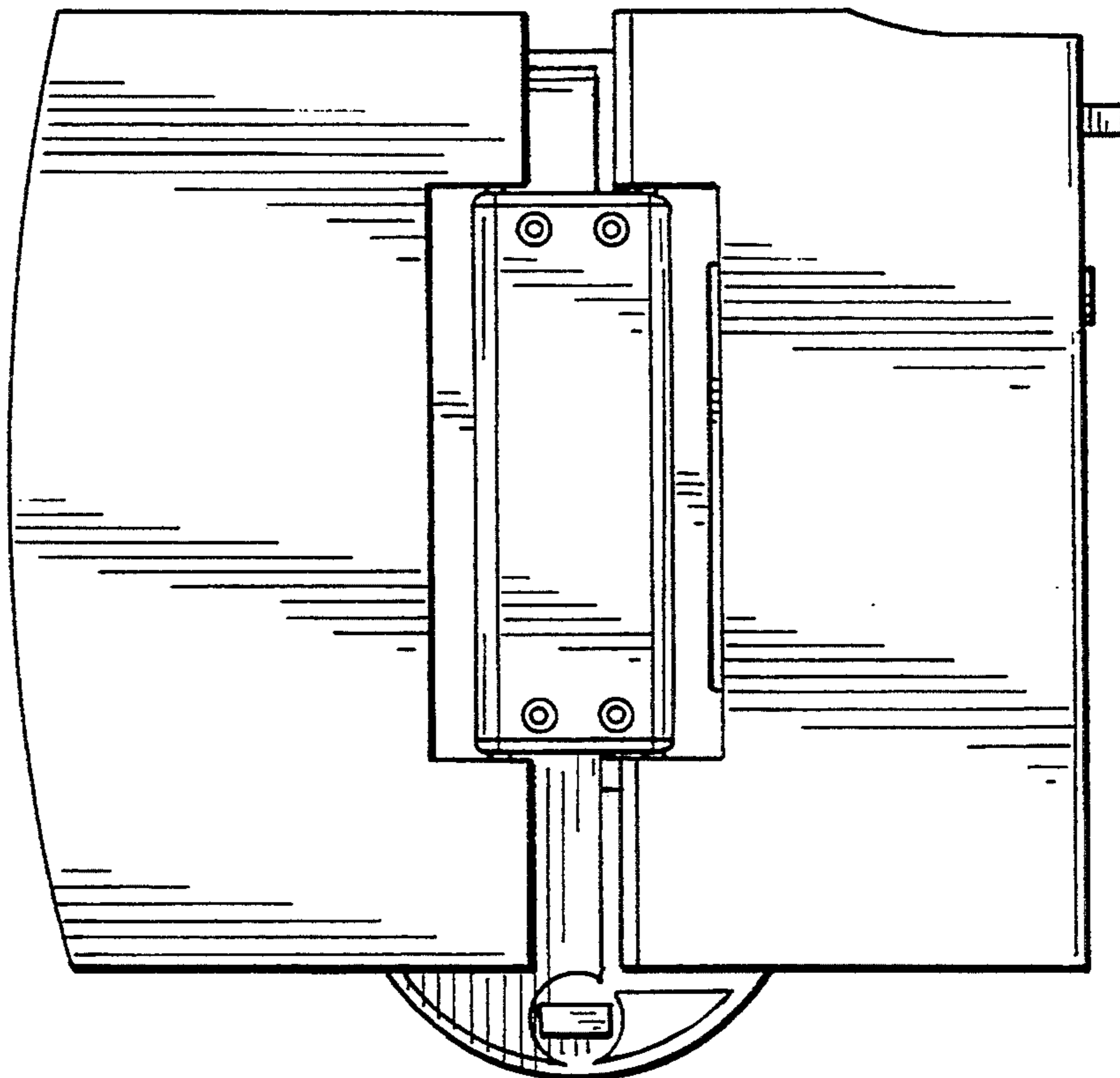
*Fig. 5*



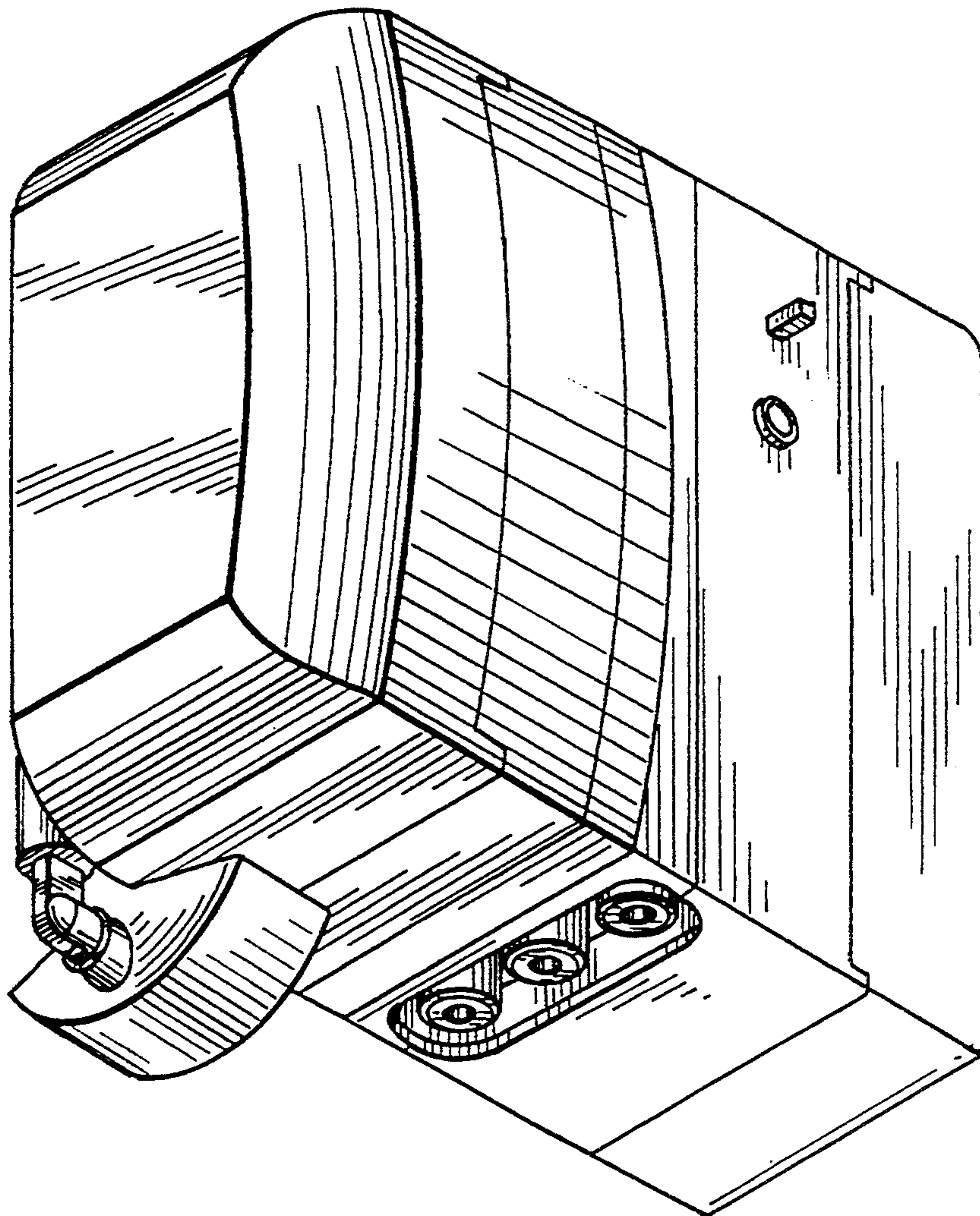
*Fig. 6*



*Fig. 7*



*Fig. 8*



*Fig. 9*

