



US00D359728S

United States Patent [19]

[11] Patent Number: **Des. 359,728**

Katoh

[45] Date of Patent: **** Jun. 27, 1995**

[54] **CONTROLLER WITH KEYBOARD FOR A CASH REGISTER**

[75] Inventor: **Miyoshi Katoh, Kanagawa, Japan**

[73] Assignee: **Tokyo Electric Co., Ltd., Tokyo, Japan**

[**] Term: **14 Years**

[21] Appl. No.: **3,907**

[22] Filed: **Jan. 21, 1993**

[30] **Foreign Application Priority Data**

Jul. 20, 1992 [JP] Japan 4-21689

[52] U.S. Cl. **D14/105; D18/4**

[58] Field of Search **D18/4, 6, 7; D14/100, D14/105; 235/1 D, 1 E, 2, 4, 7 R, 10, 375, 379, 380, 419, 145; 364/404, 405**

[56] **References Cited**

U.S. PATENT DOCUMENTS

D. 267,554 1/1983 Swinstead D18/7 X

D. 296,329 6/1988 Day et al. D14/100

D. 338,192 8/1993 Savio D18/4 X

Primary Examiner—Alan P. Douglas
Assistant Examiner—Caron D. Veynar
Attorney, Agent, or Firm—Oblon, Spivak, McClelland, Maier, & Neustadt

[57] **CLAIM**

The ornamental design for a controller with keyboard for a cash register, as shown and described.

DESCRIPTION

FIG. 1 is top, front and right side perspective view of a controller with keyboard for a cash register, showing my new design;

FIG. 2 is a front elevational view thereof;

FIG. 3 is a rear elevational view thereof;

FIG. 4 is a top plan view thereof;

FIG. 5 is a bottom plan view thereof;

FIG. 6 is a left side view thereof;

FIG. 7 is a right side view thereof; and,

FIG. 8 is a top, front and right side perspective view thereof, including related structure for the controller.

The broken line showing of a monitor, display and printer are environmental only and form no part of the claimed design.

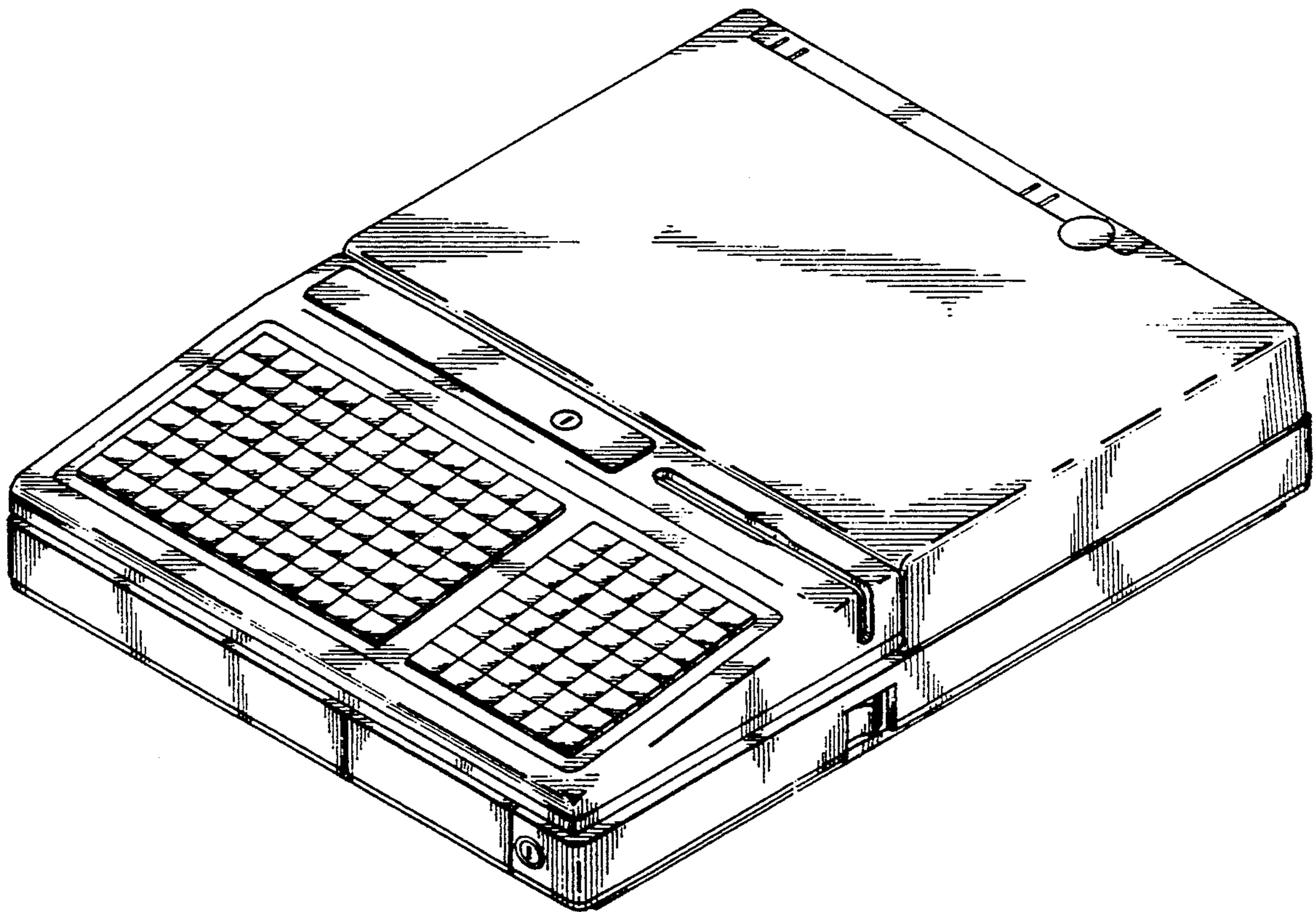


FIG. 1

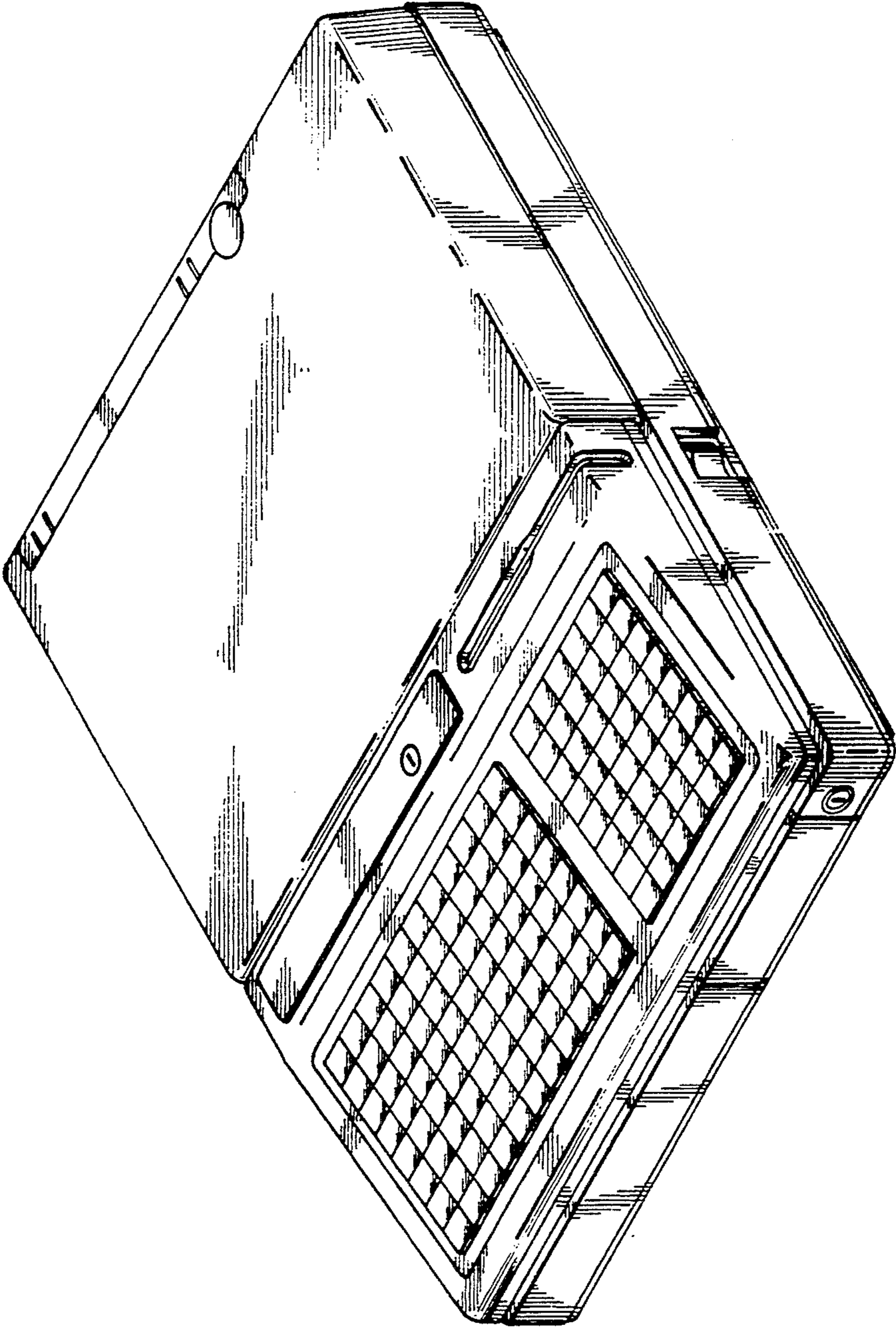


FIG. 2

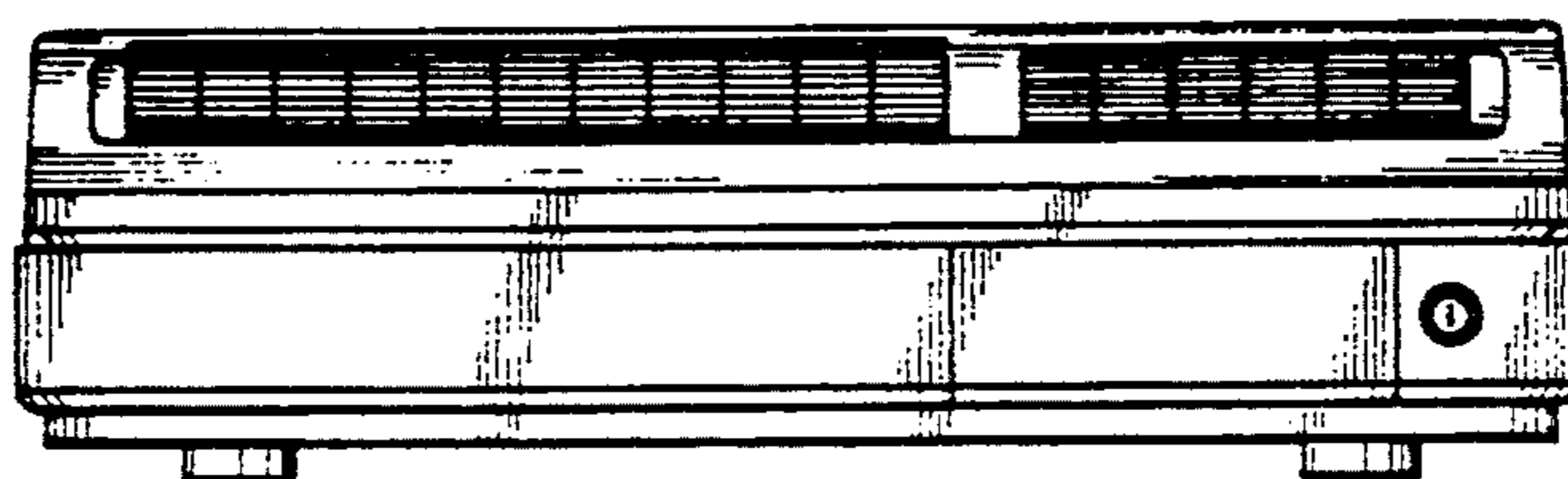


FIG. 3

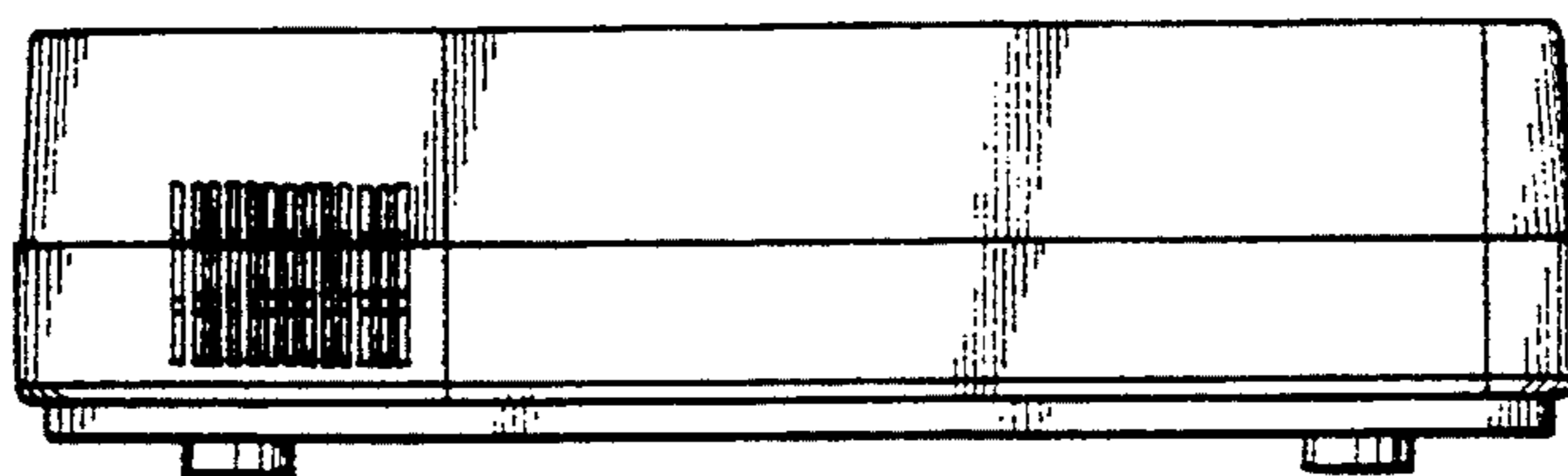


FIG. 4

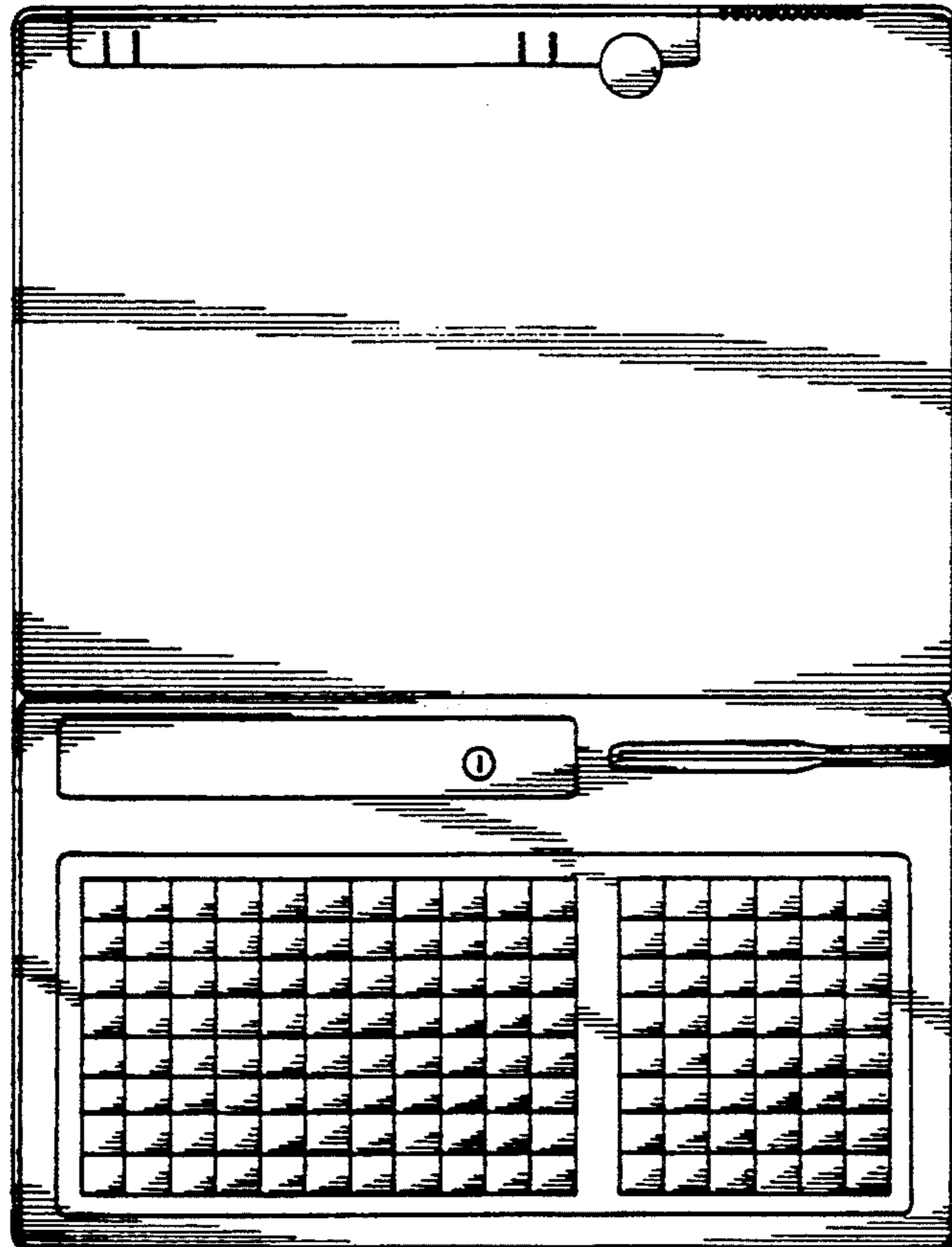


FIG. 5

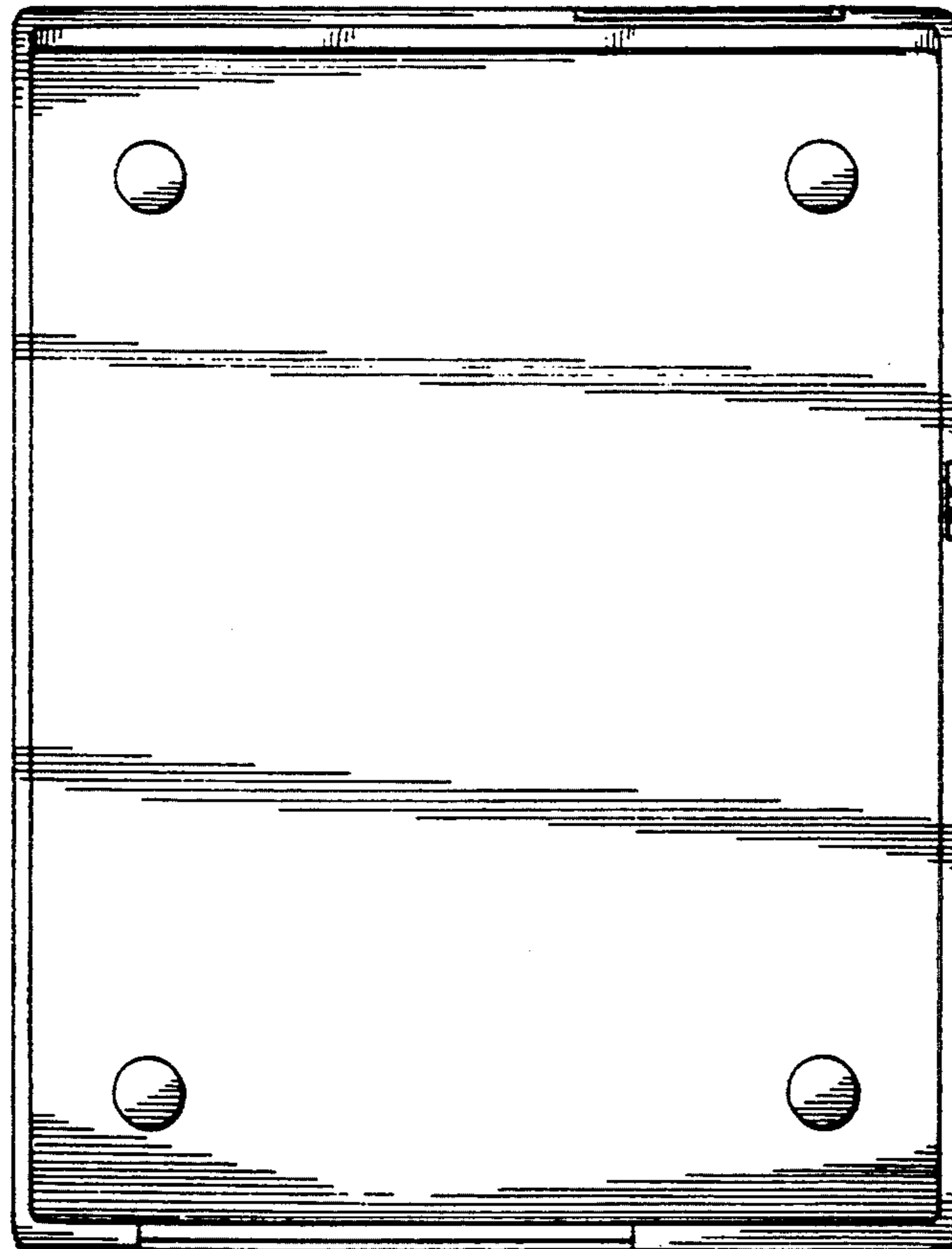


FIG. 6

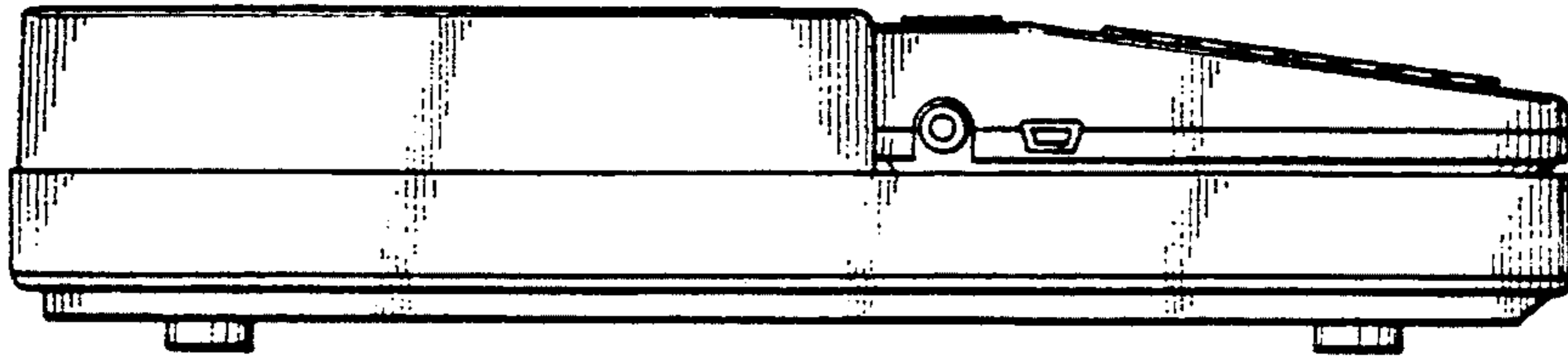
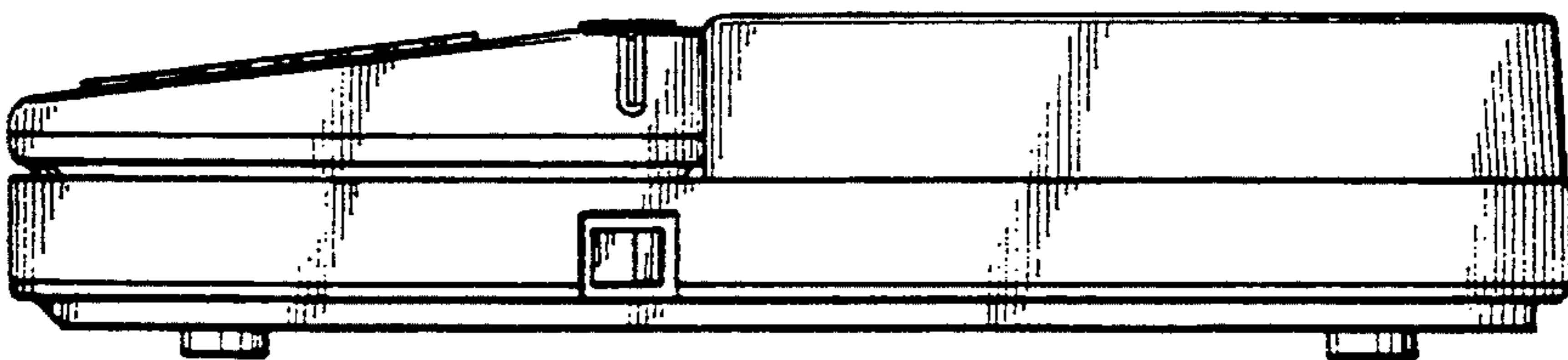


FIG. 7



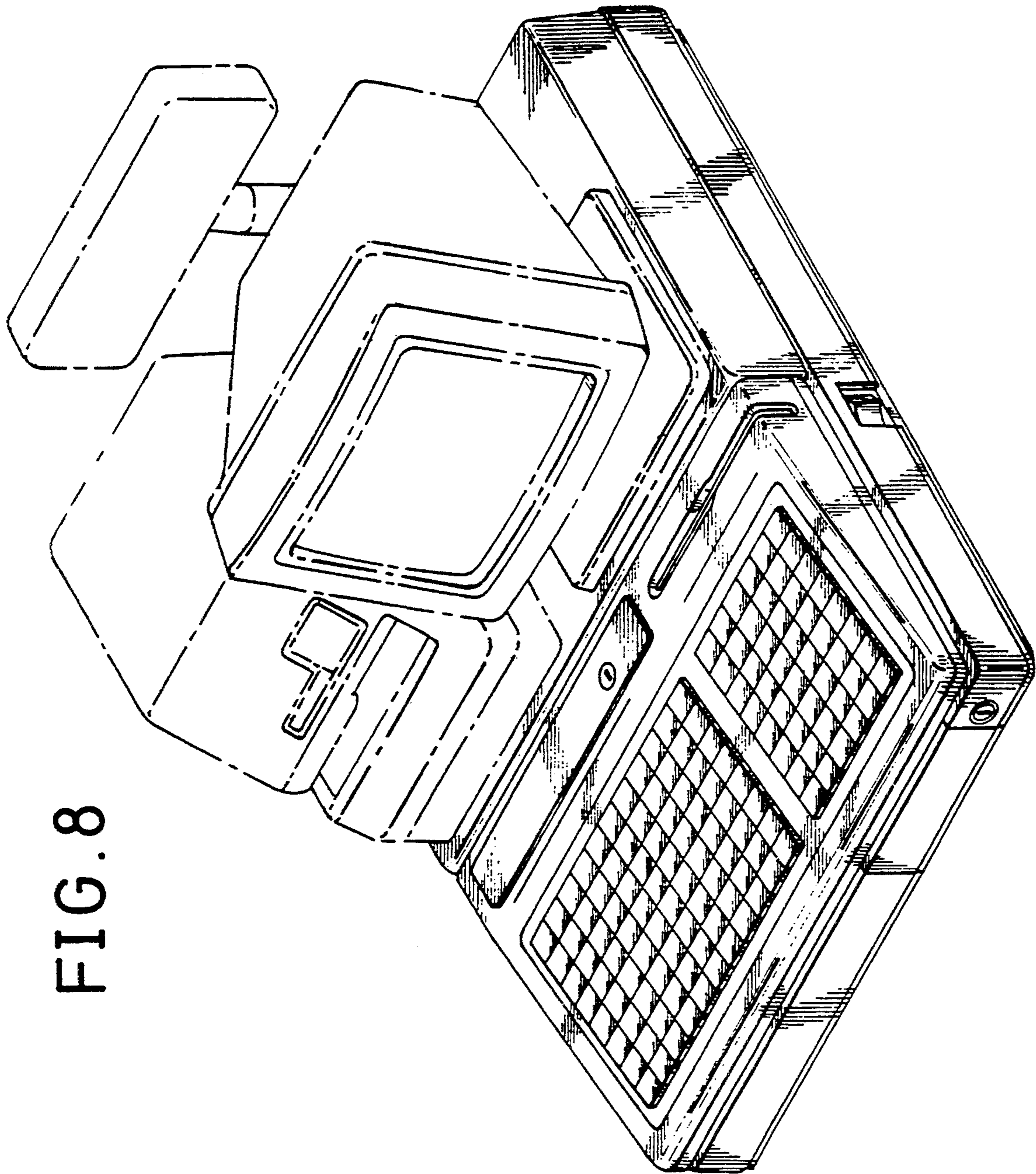


FIG. 8