



US00D359724S

United States Patent [19] Baginy

[11] Patent Number: **Des. 359,724**
[45] Date of Patent: **** Jun. 27, 1995**

[54] **CONNECTOR**

4,550,961 11/1985 Aicher et al. 439/347
5,344,335 9/1994 Scholz et al. 439/357

[75] Inventor: **Michael D. Baginy**, Weinstadt,
Germany

FOREIGN PATENT DOCUMENTS

[73] Assignee: **ITT Cannon Electric GmbH**,
Weinstadt, Germany

40874 2/1990 Japan 439/352

[**] Term: **14 Years**

Primary Examiner—Joel Sincavage
Attorney, Agent, or Firm—Thomas L. Peterson

[21] Appl. No.: **27,495**

[57] **CLAIM**

[22] Filed: **Aug. 23, 1994**

The ornamental design for a connector, substantially as shown and described.

[30] **Foreign Application Priority Data**

DESCRIPTION

Mar. 1, 1994 [DE] Germany 94 01 820.0

FIG. 1 is a top, front and left side isometric view of a connector showing my new design, with phantom lines indicating a cable with which the connector is used; FIG. 2 is a front view thereof; FIG. 3 is a plan view thereof; FIG. 4 is a rear elevation view thereof; FIG. 5 is a right side elevation view thereof; FIG. 6 is a left side elevation view thereof; and, FIG. 7 is a bottom view thereof.

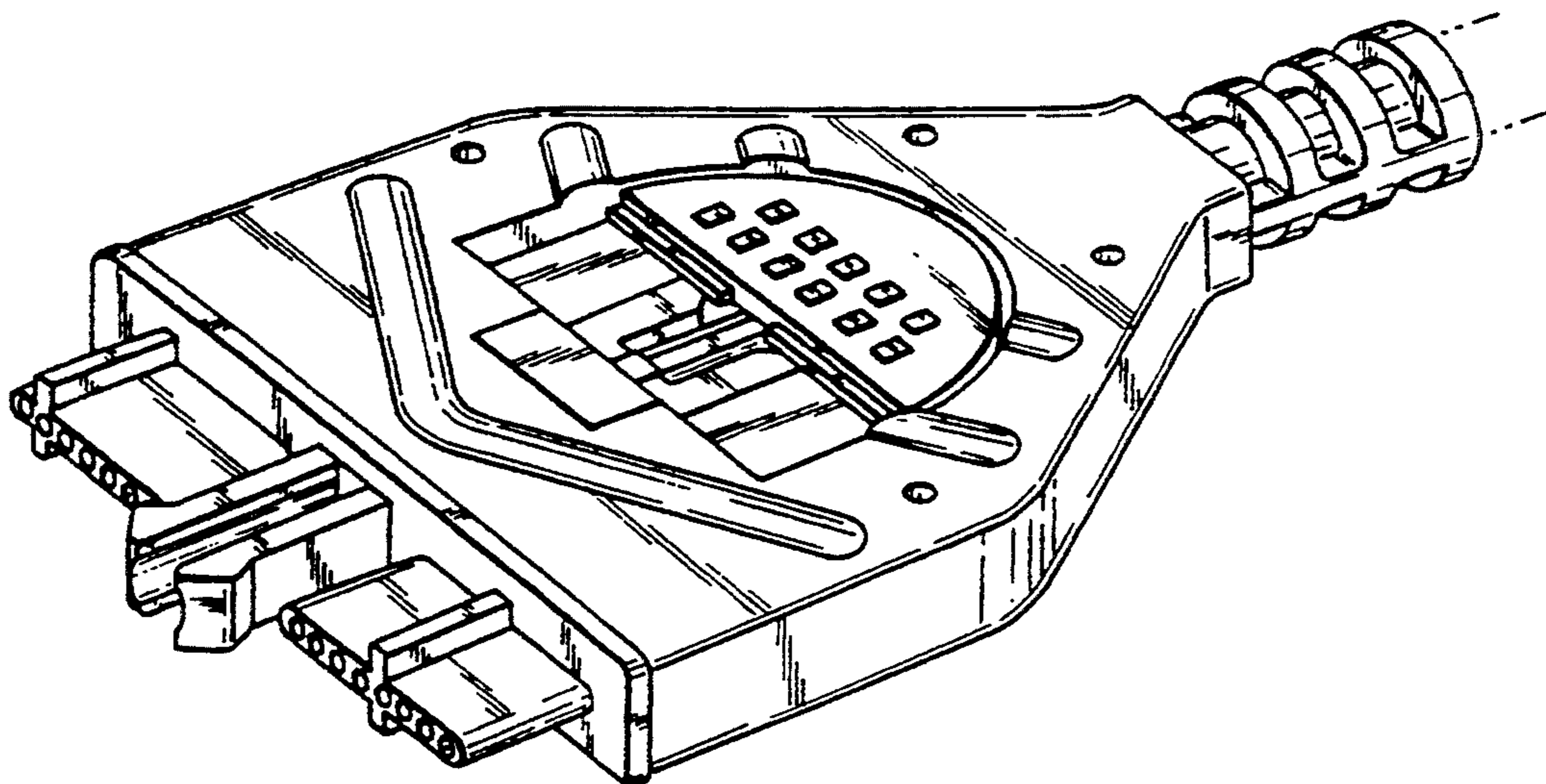
[52] U.S. Cl. **D13/147**

[58] Field of Search D13/146, 147; 439/77,
439/347, 352, 357, 358, 650, 652, 682

[56] **References Cited**

U.S. PATENT DOCUMENTS

D. 328,283 7/1992 Strand D13/133 X



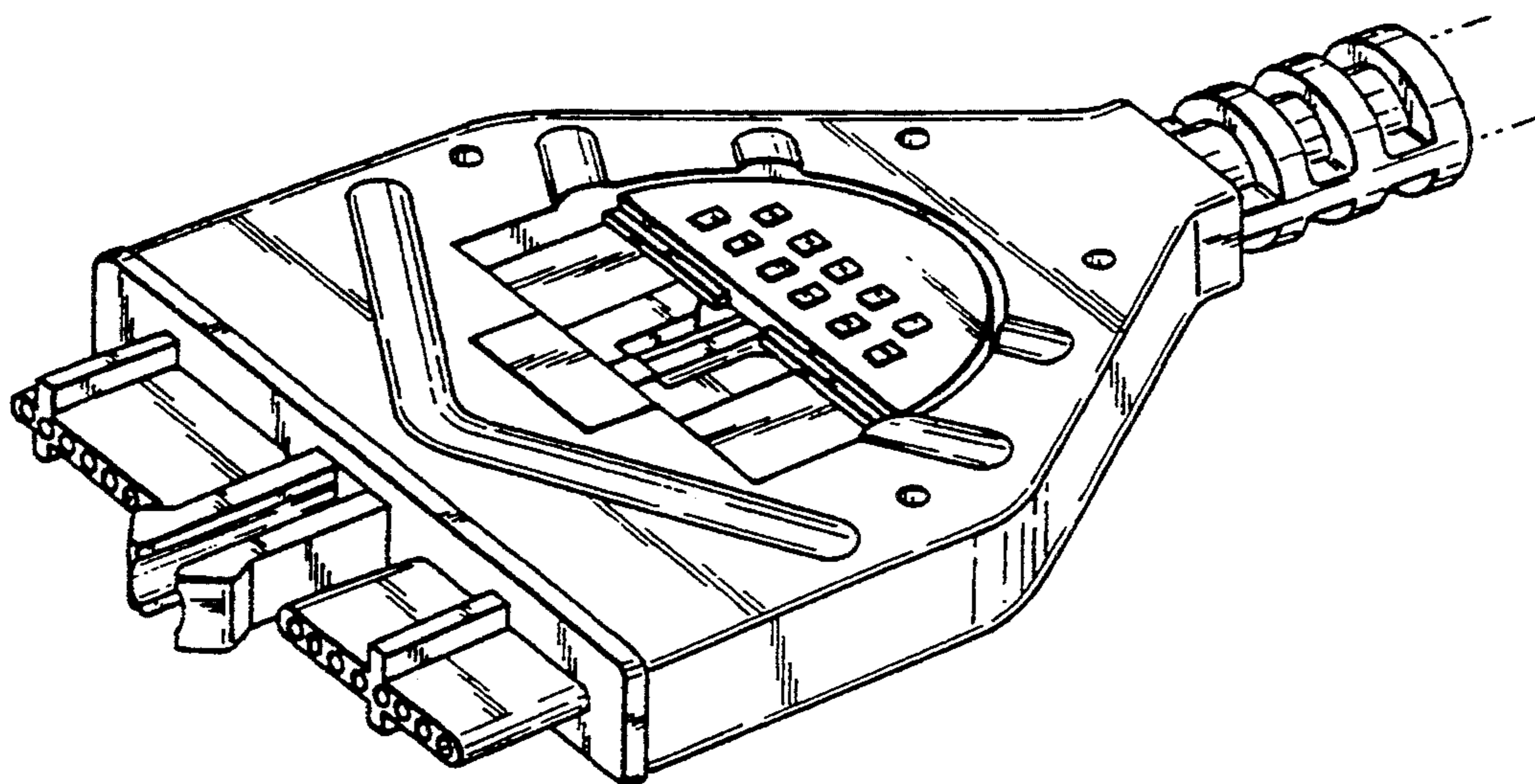


FIG. 1

FIG. 2



FIG. 5

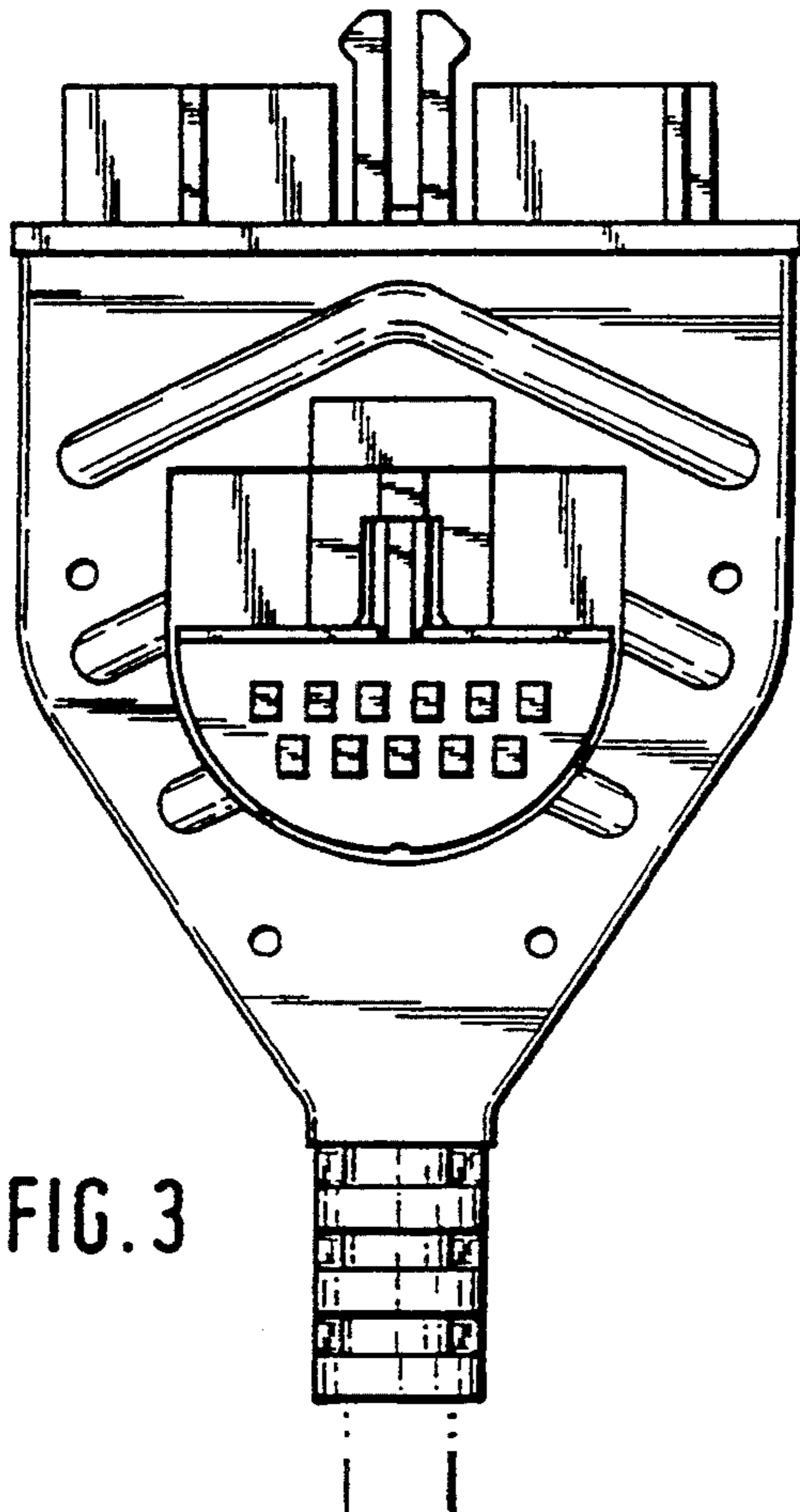
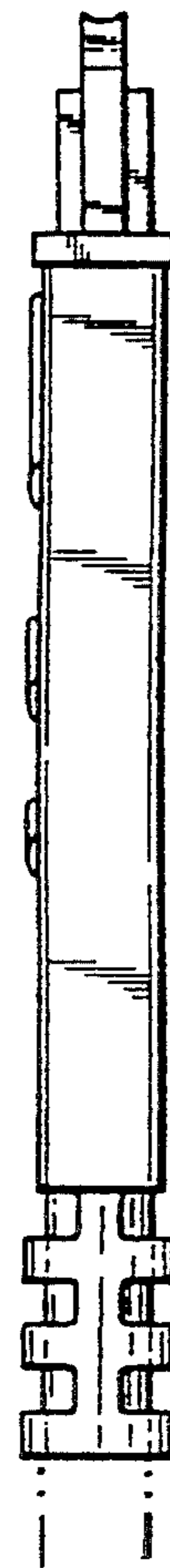


FIG. 3



FIG. 4



FIG. 6

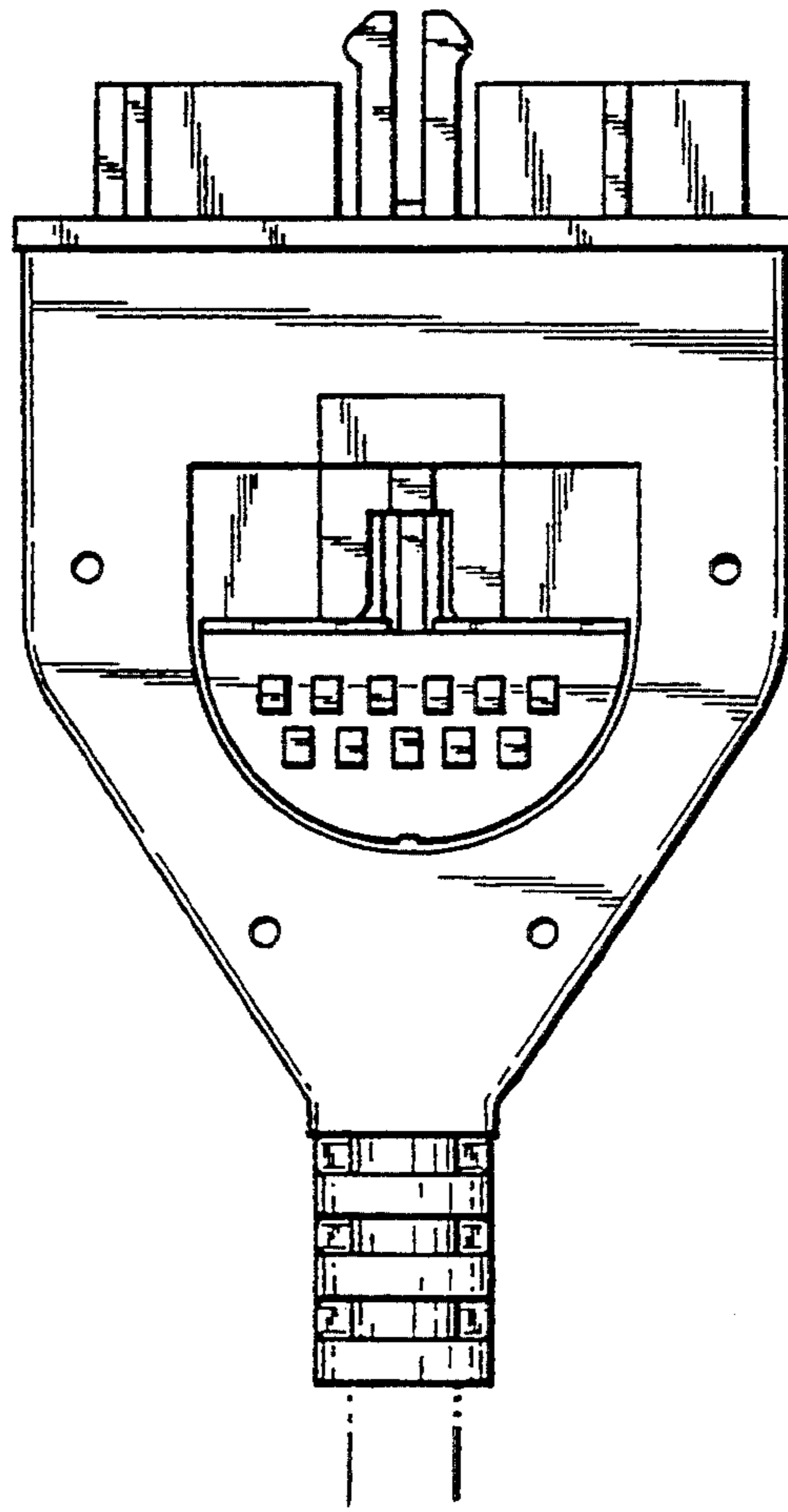


FIG. 7