



US00D359719S

# United States Patent [19]

Langerud

[11] Patent Number: Des. 359,719

[45] Date of Patent: \*\* Jun. 27, 1995

[54] **PADDED ADJUSTABLE SEATS FOR CANOEING**

[76] Inventor: **Steven L. Langerud**, 725 First Colonial Rd., Lot 129, Virginia Beach, Va. 23451

[\*\*] Term: **14 Years**

[21] Appl. No.: **19,460**

[22] Filed: **Mar. 3, 1994**

[52] U.S. Cl. .... **D12/317**

[58] Field of Search ..... D12/317, 318, 302; 114/363, 343; 297/350

4,357,894 11/1982 Kirk .  
 4,493,285 1/1985 Williams .  
 4,843,999 7/1989 Kobus et al. .... D12/317  
 5,101,753 4/1992 Hull et al. .... 114/363  
 5,105,756 4/1992 Bell ..... 114/343  
 5,168,825 12/1992 Ring .

Primary Examiner—Kay H. Chin

### [57] CLAIM

The ornamental design for the padded adjustable seats for canoeing, as shown and described.

### DESCRIPTION

FIG. 1 is a front elevational view of the padded adjustable seats for canoeing showing my new design; FIG. 2 is a rear elevational view thereof; FIG. 3 is a left side elevational view thereof; FIG. 4 is a right side elevational view thereof; FIG. 5 is a top plan view thereof; and, FIG. 6 is a bottom plan view thereof.

[56] **References Cited**  
**U.S. PATENT DOCUMENTS**  
 D. 290,797 7/1987 Hartt .  
 D. 301,191 5/1989 Anello et al. .  
 2,836,223 5/1958 Kent ..... D12/317

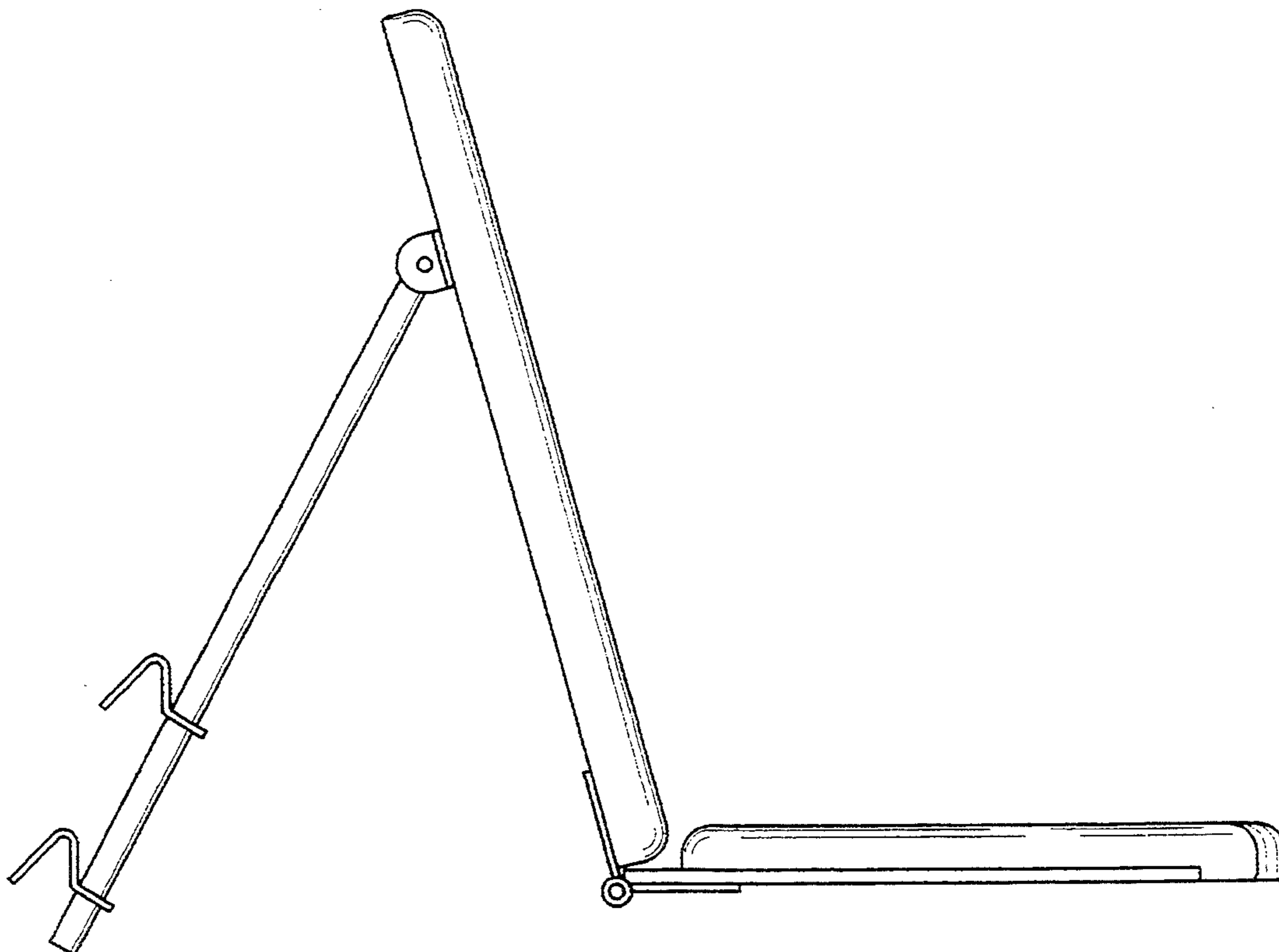


FIG. 1

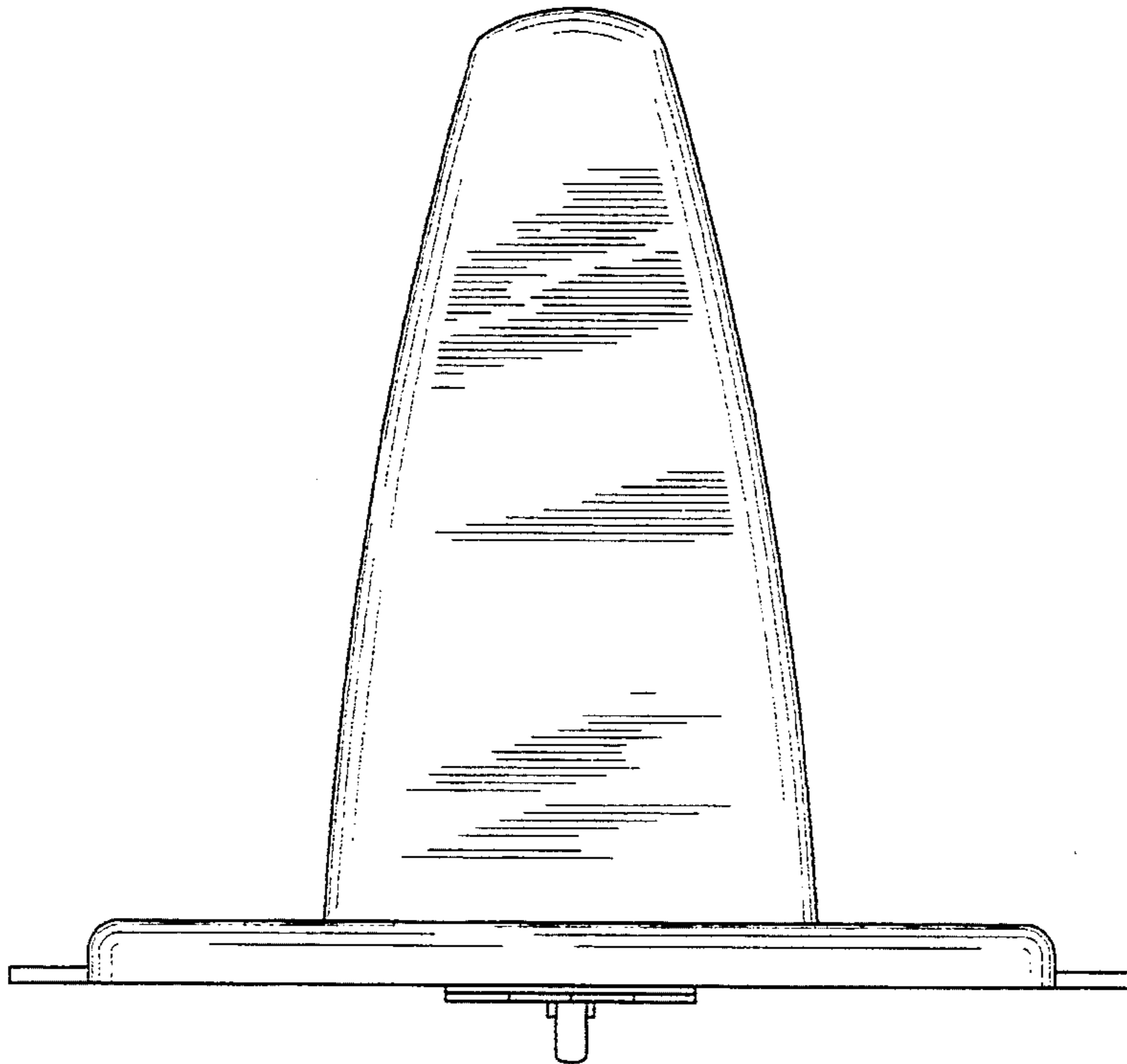


FIG. 2

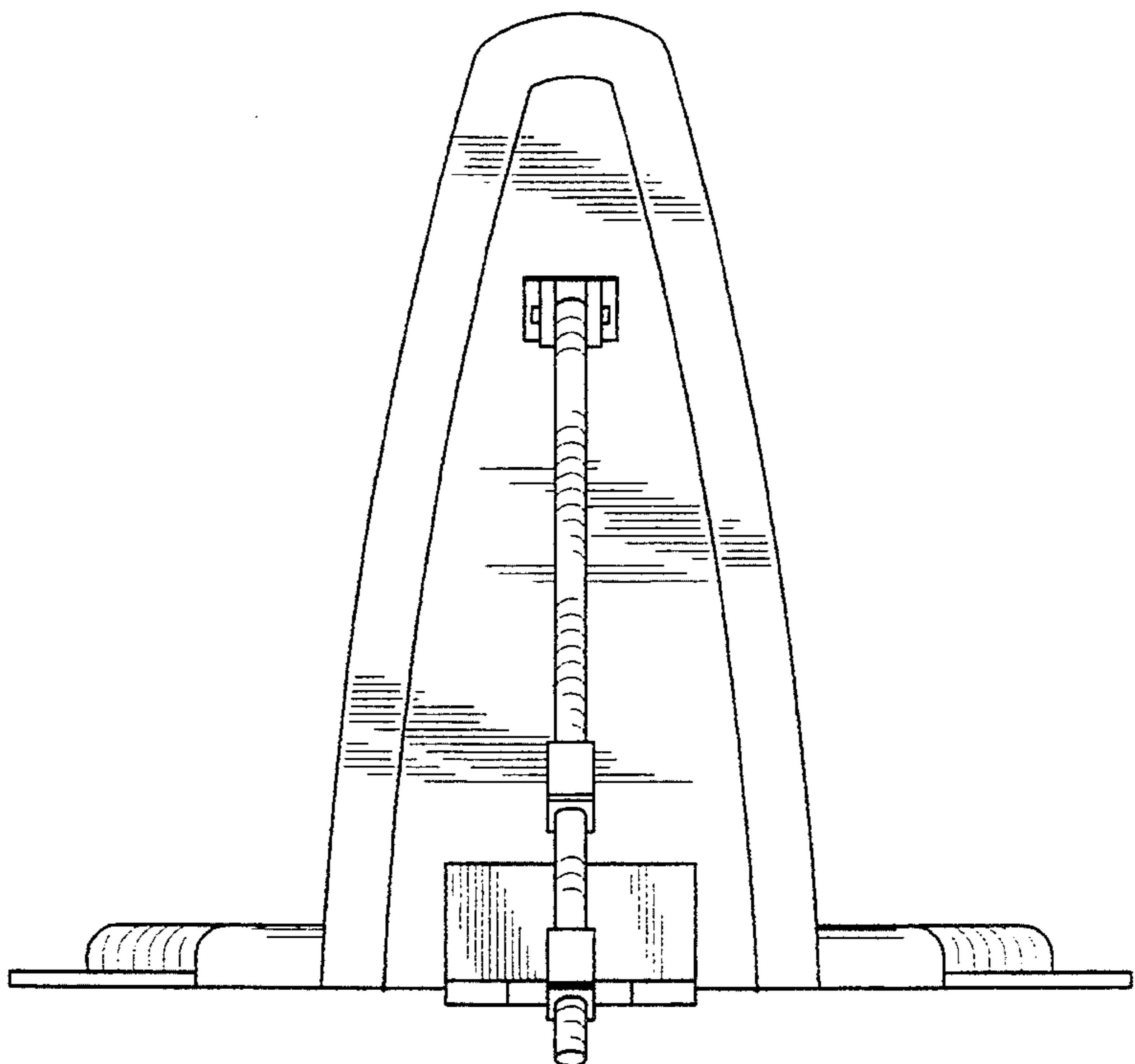


FIG. 3

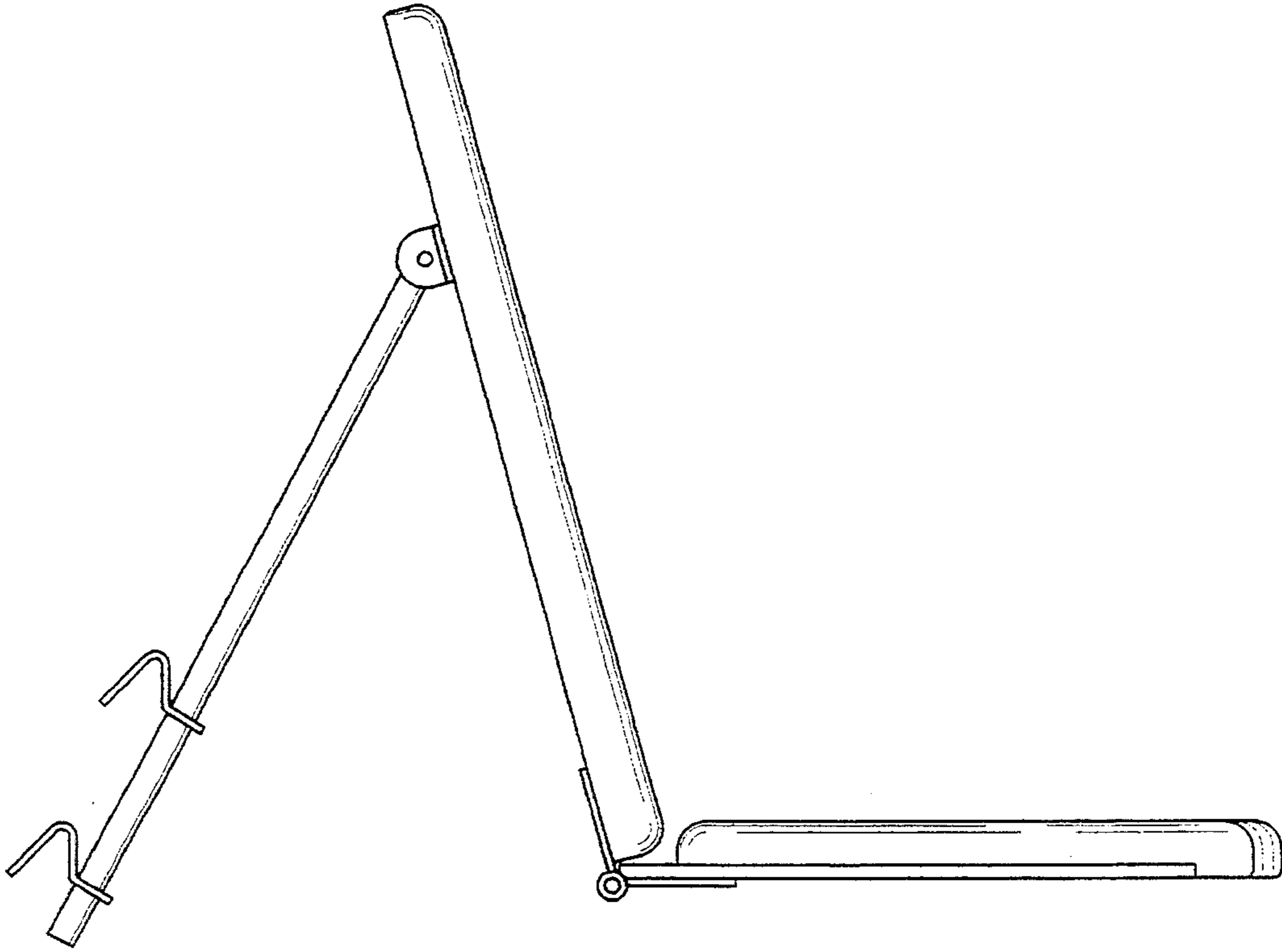


FIG. 4

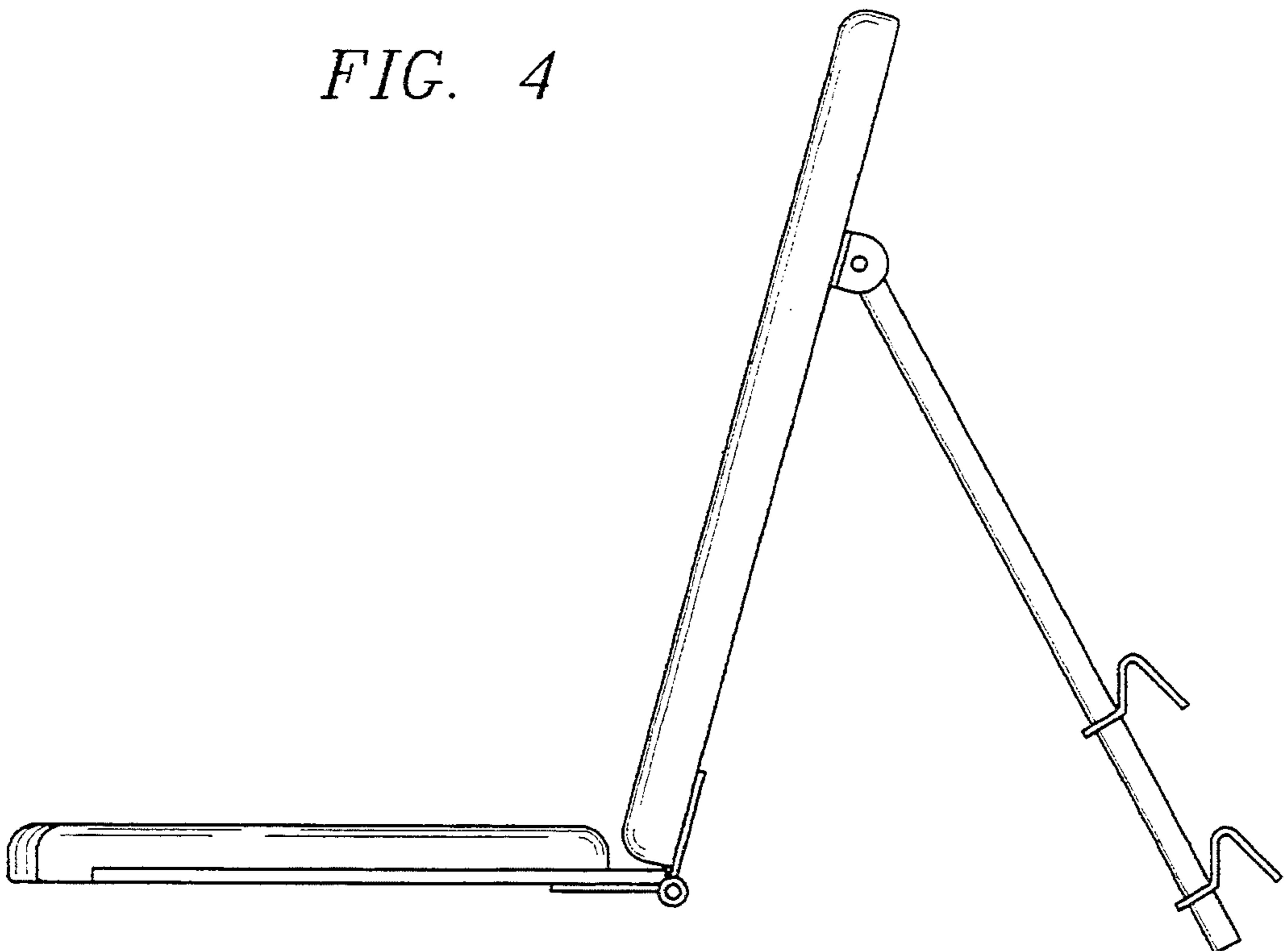


FIG. 5

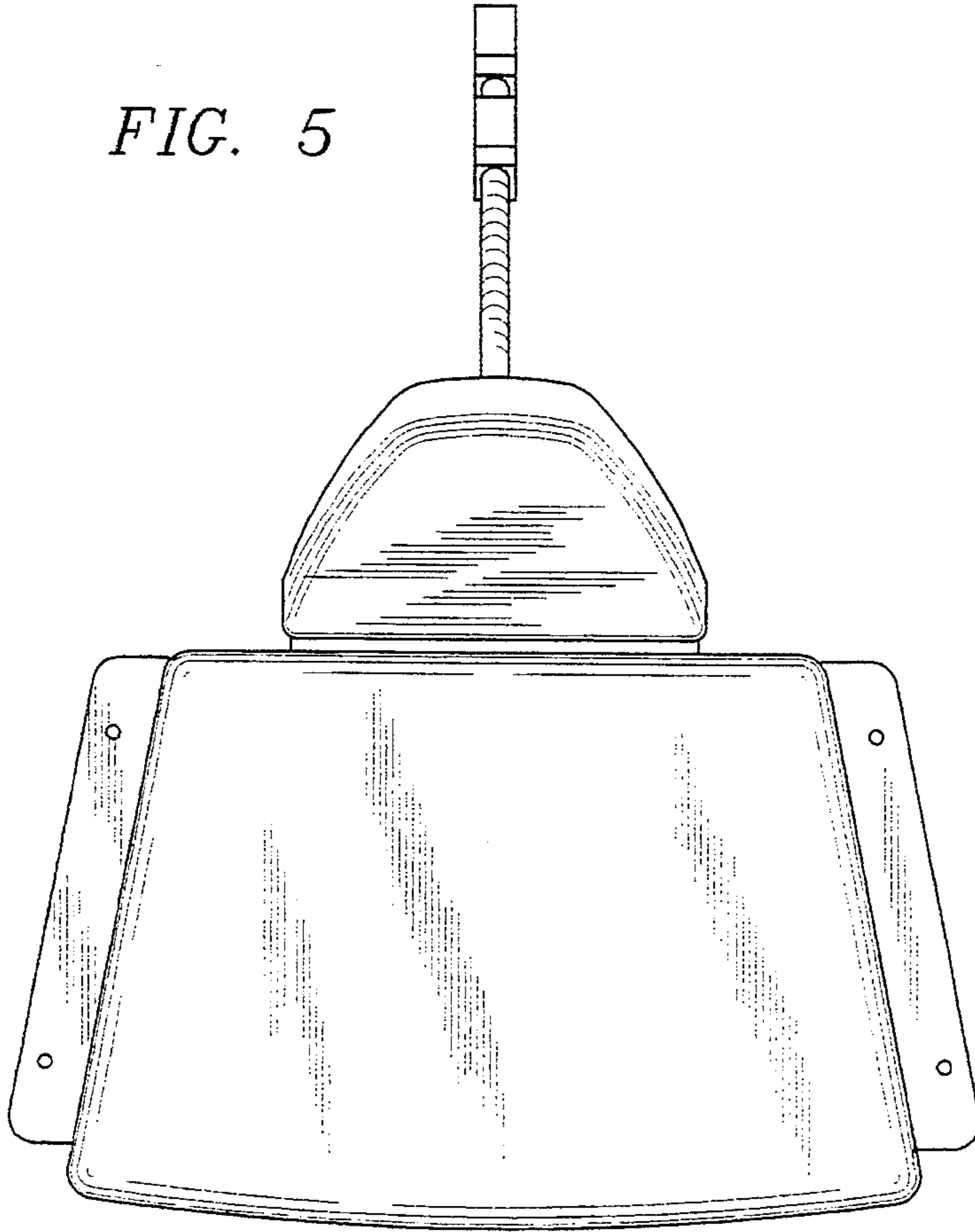


FIG. 6

