



US00D359713S

United States Patent [19]

[11] Patent Number: **Des. 359,713**

Leberfinger

[45] Date of Patent: **** Jun. 27, 1995**

[54] **INFANT STROLLER**

4,641,844 2/1987 Mar et al. .
4,892,327 1/1990 Cabagnero 280/650
5,257,799 11/1993 Cone et al. 280/650

[76] Inventor: **Peggy A. Leberfinger, R.R. 1, Box 28,
Muncy Valley, Pa. 17758**

FOREIGN PATENT DOCUMENTS

[**] Term: **14 Years**

439933 8/1991 European Pat. Off. 280/650

[21] Appl. No.: **16,040**

Primary Examiner—Kay H. Chin

[22] Filed: **Dec. 6, 1993**

[57] CLAIM

[52] U.S. Cl. **D12/129**

The ornamental design for the infant stroller, as shown and described.

[58] Field of Search **D12/128, 129; 280/650,
280/644, 642, 643, 649, 647, 648**

DESCRIPTION

[56] **References Cited**

FIG. 1 is a front elevational view of the infant stroller showing my new design;

U.S. PATENT DOCUMENTS

D. 212,325 10/1968 Korol D12/129
3,550,998 9/1968 Boudreau et al. .
3,829,113 8/1974 Epelbaum .
4,168,795 9/1980 Mar .
4,191,397 3/1980 Kassai 280/650
4,632,409 12/1986 Hall et al. .

FIG. 2 is a rear elevational view thereof;

FIG. 3 is a left side elevational view thereof;

FIG. 4 is a right side elevational view thereof;

FIG. 5 is a top plan view thereof;

FIG. 6 is a bottom plan view thereof; and,

FIG. 7 is an upper left perspective view thereof.

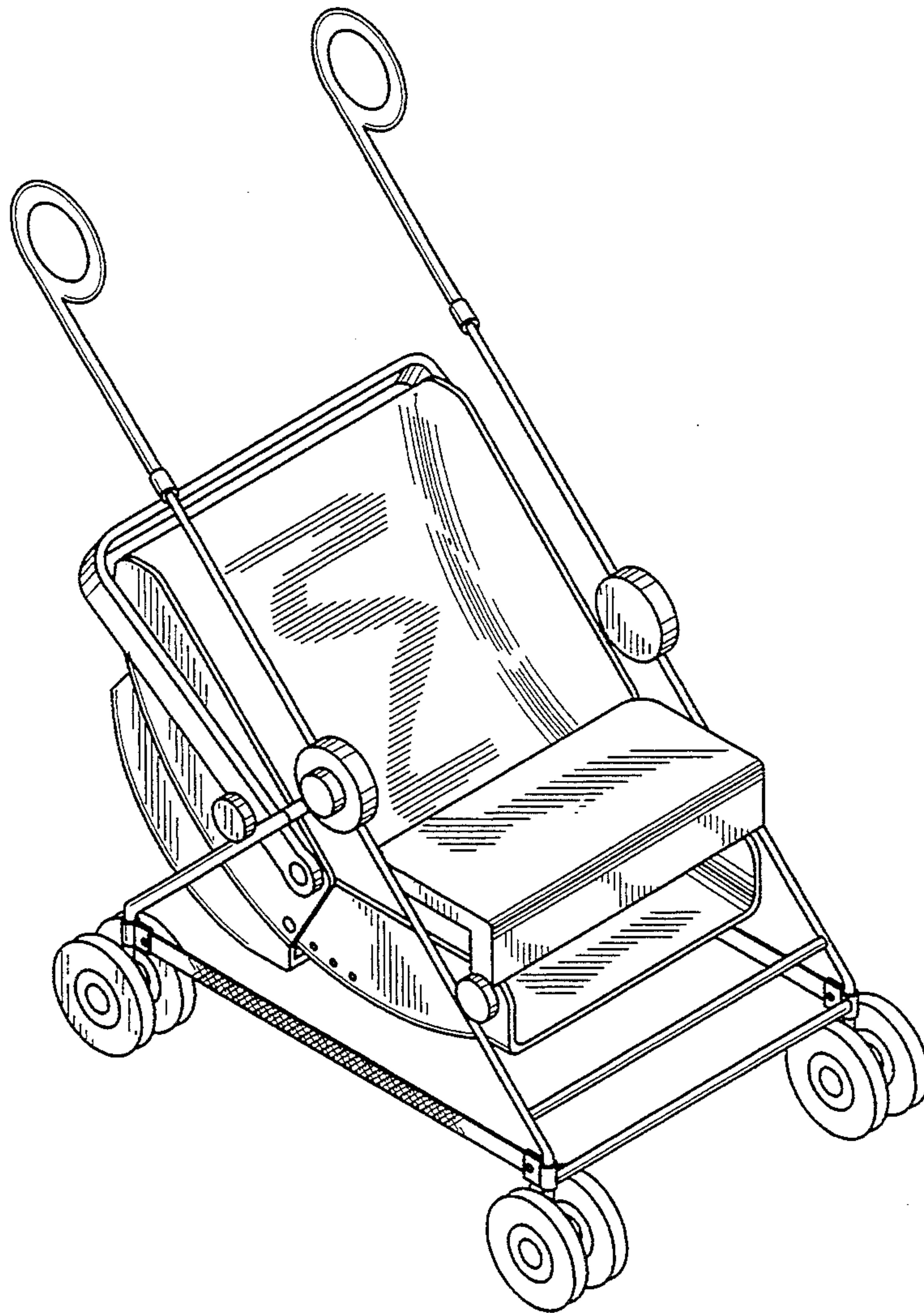


FIG. 1

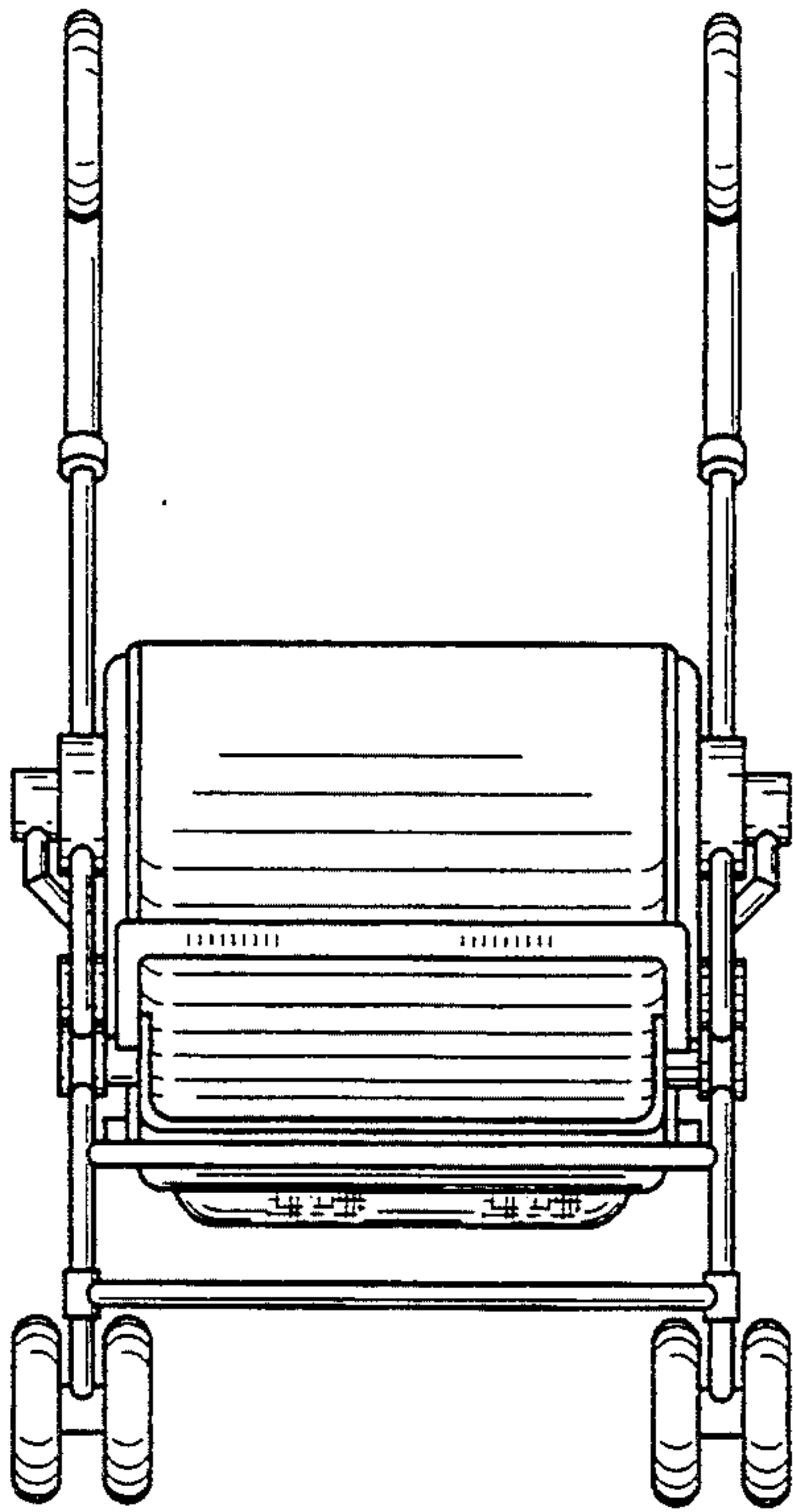


FIG. 2

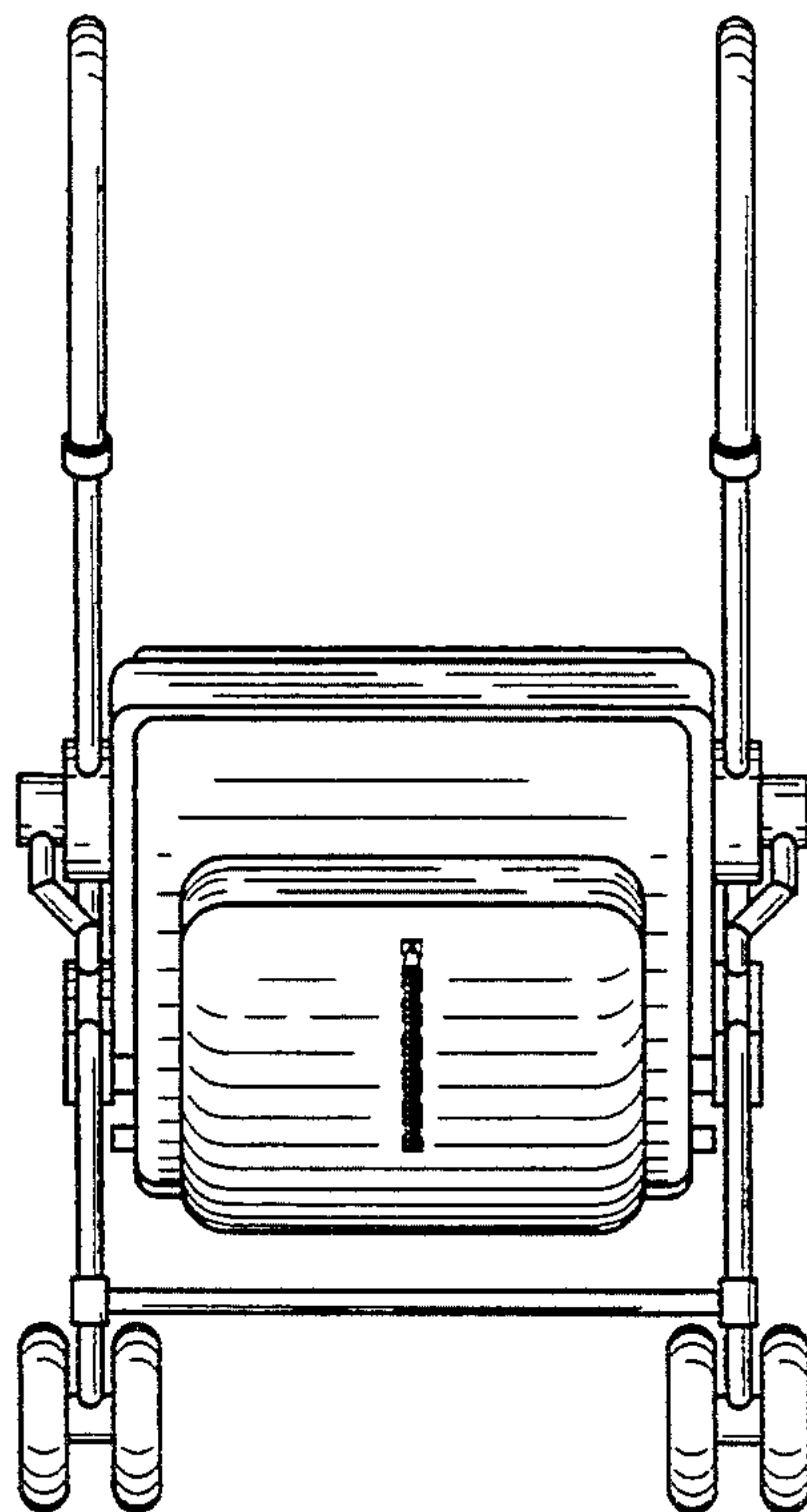


FIG. 3

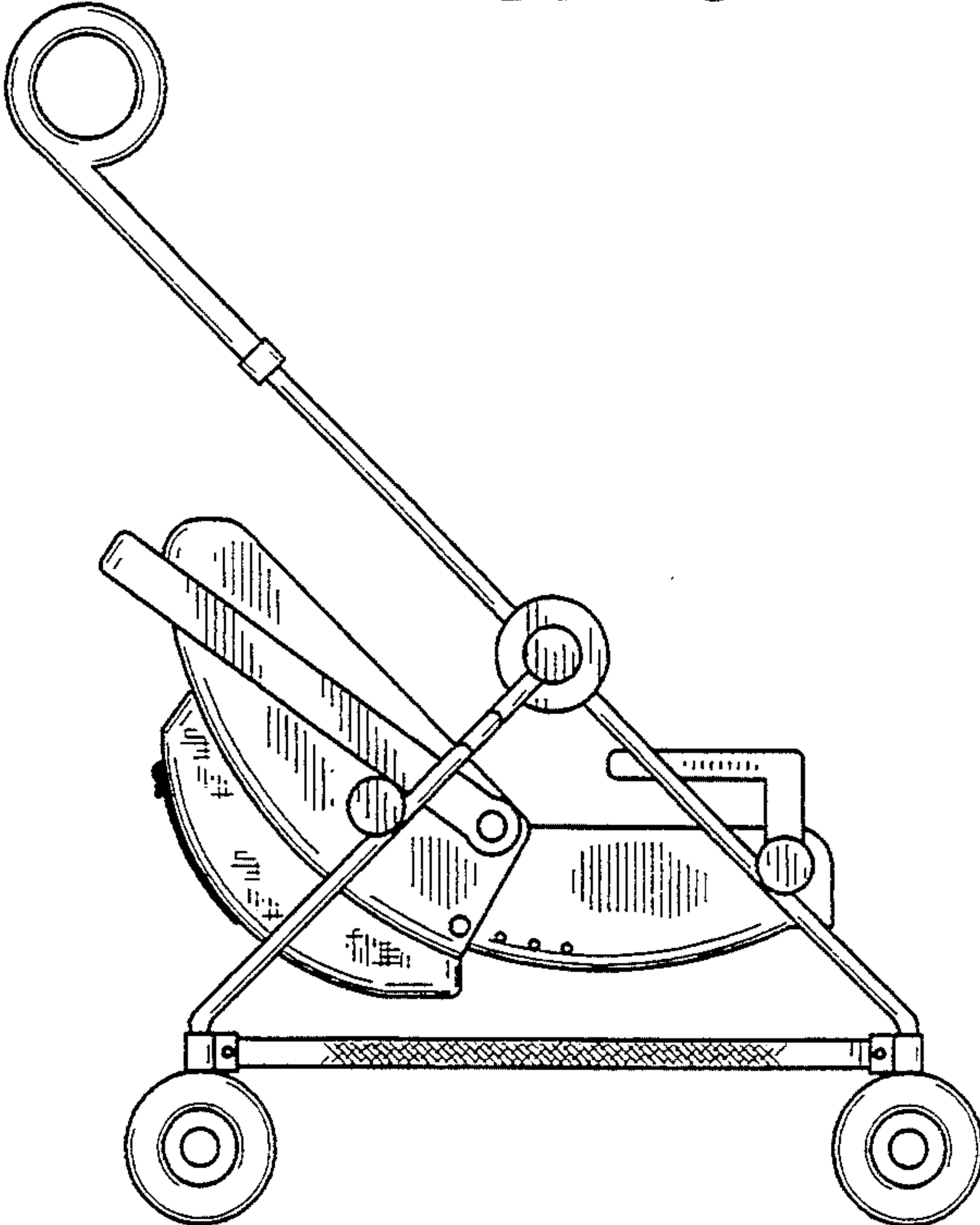


FIG. 4

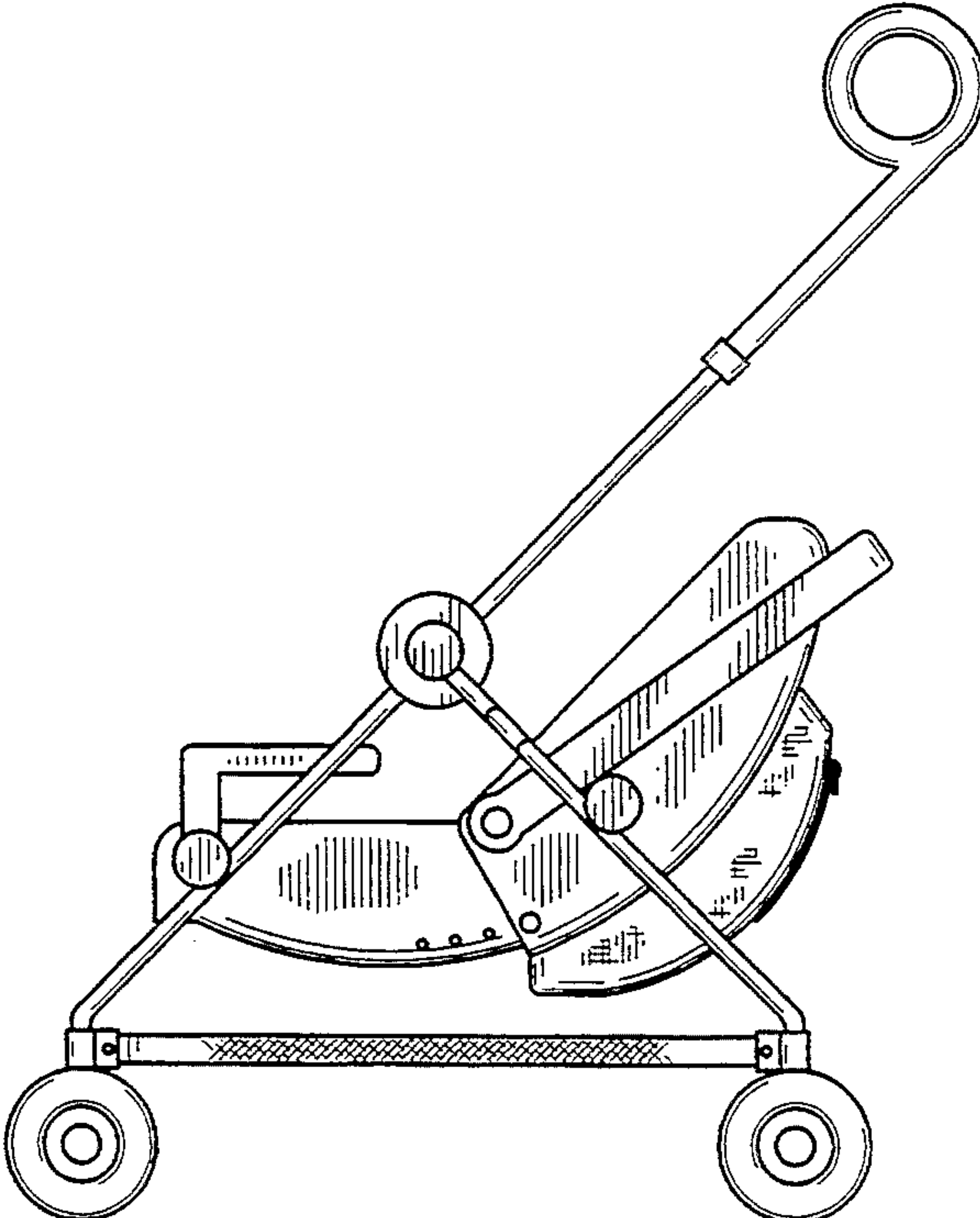


FIG. 5

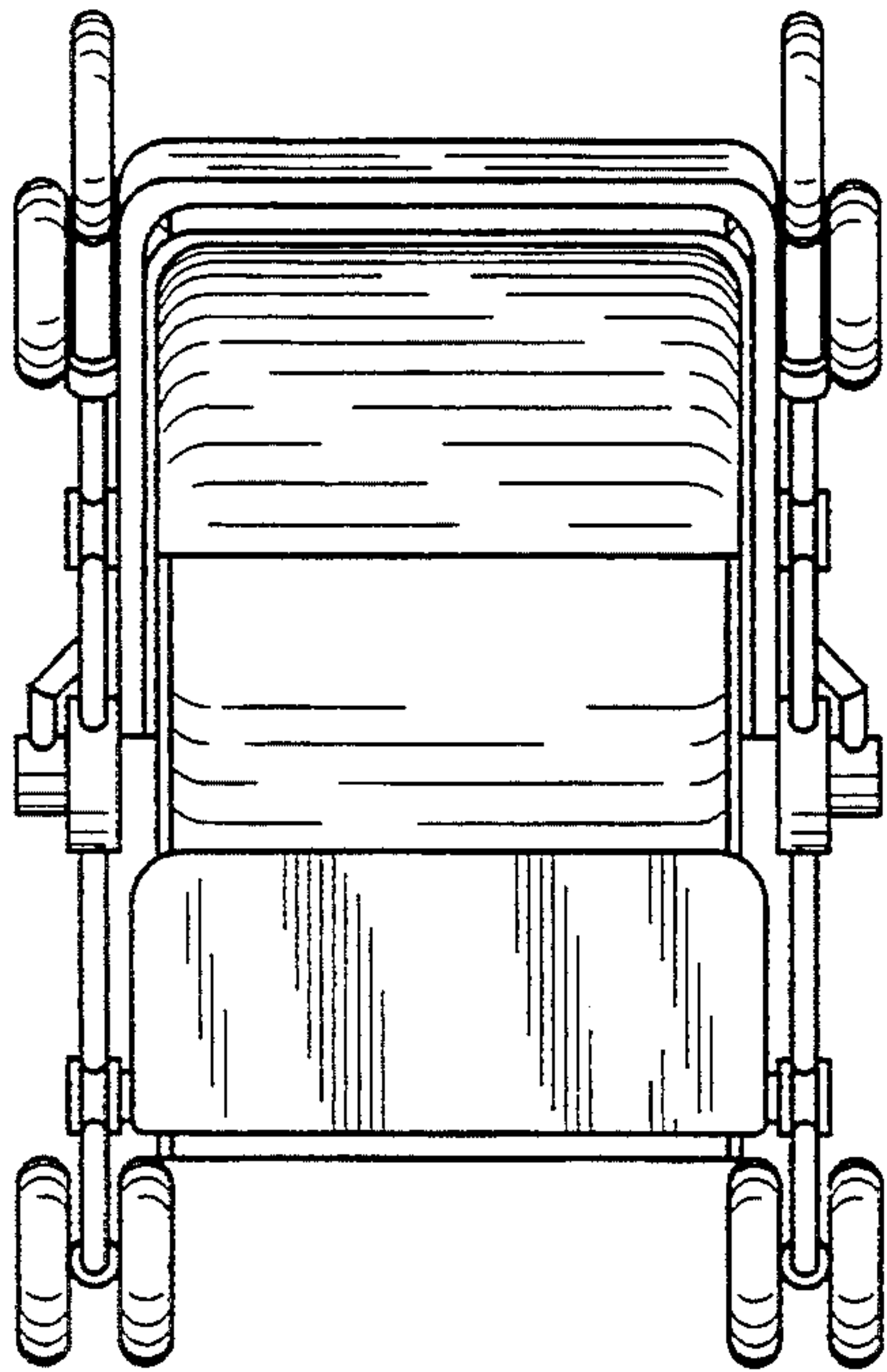


FIG. 6

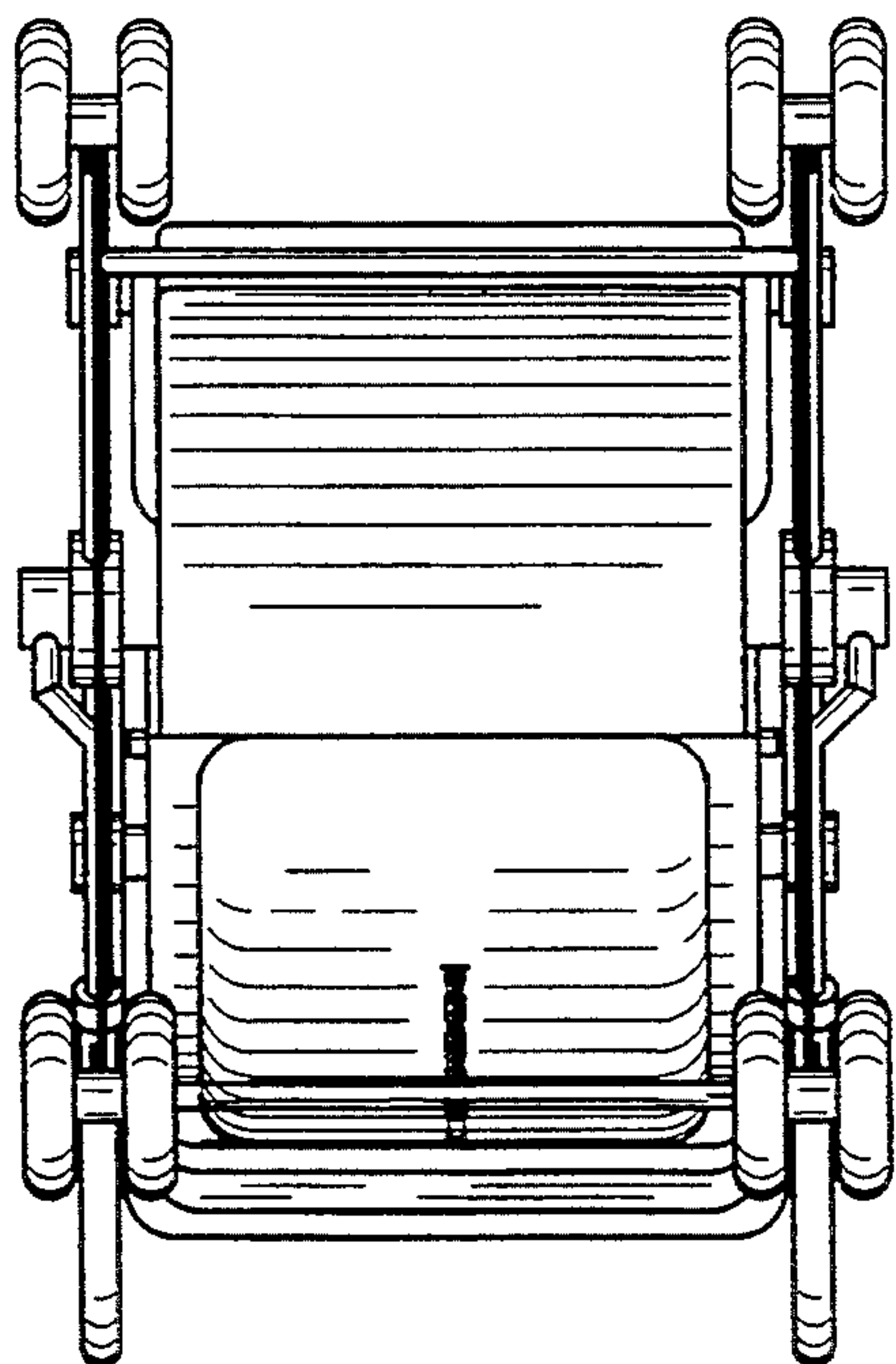


FIG. 7

