



US00D359701S

United States Patent [19]

[11] **Patent Number: Des. 359,701**

Fischette et al.

[45] **Date of Patent: ** Jun. 27, 1995**

[54] **SMOKE DETECTOR COVER**

[75] Inventors: **Robert G. Fischette**, Portland, Oreg.;
Kirk R. Johnson, Vancouver, Wash.;
Maki Myoga, Portland, Oreg.

[73] Assignee: **Sentrol, Inc.**, Tualatin, Oreg.

[**] Term: **14 Years**

[21] Appl. No.: **27,216**

[22] Filed: **Aug. 16, 1994**

[52] U.S. Cl. **D10/106**

[58] Field of Search **D10/104, 106, 116, 121;**
340/545, 547, 555, 578, 586, 628, 629, 630, 693

[56] **References Cited**

U.S. PATENT DOCUMENTS

D. 283,407	4/1986	Fenne	D10/106
D. 284,748	7/1986	Fenne	D10/106
D. 297,222	8/1988	Rauch	D10/106
D. 306,409	3/1990	Fish	D10/106
D. 308,947	7/1990	Downing	D10/106
D. 339,078	9/1993	Behlke	D10/106
D. 346,981	5/1994	Ratzlaff	D10/106
4,236,822	12/1980	Jaretsky et al.	340/628

OTHER PUBLICATIONS

ESL Bulletin 2282-SS5, Jan. 1993, Sentrol, Inc., Portland, Oreg.

ESL Bulletin 2286-SS5, Jul. 1993, Sentrol, Inc., Portland, Oreg.

Primary Examiner—Susan J. Lucas

Assistant Examiner—Marcus Jackson

Attorney, Agent, or Firm—Stoel Rives Boley Jones & Grey

[57] **CLAIM**

The design for a smoke detector cover, as shown and described.

DESCRIPTION

FIG. 1 is a frontal isometric view of a top side of a smoke detector cover;

FIG. 2 is a top plan thereof;

FIG. 3 is a side elevation view thereof;

FIG. 4 is a rear end elevation view thereof;

FIG. 5 is a bottom plan thereof; and,

FIG. 6 is a perspective view of a second embodiment thereof, wherein the only difference resides in the omission of the oval shaped groove pattern on the top portion.

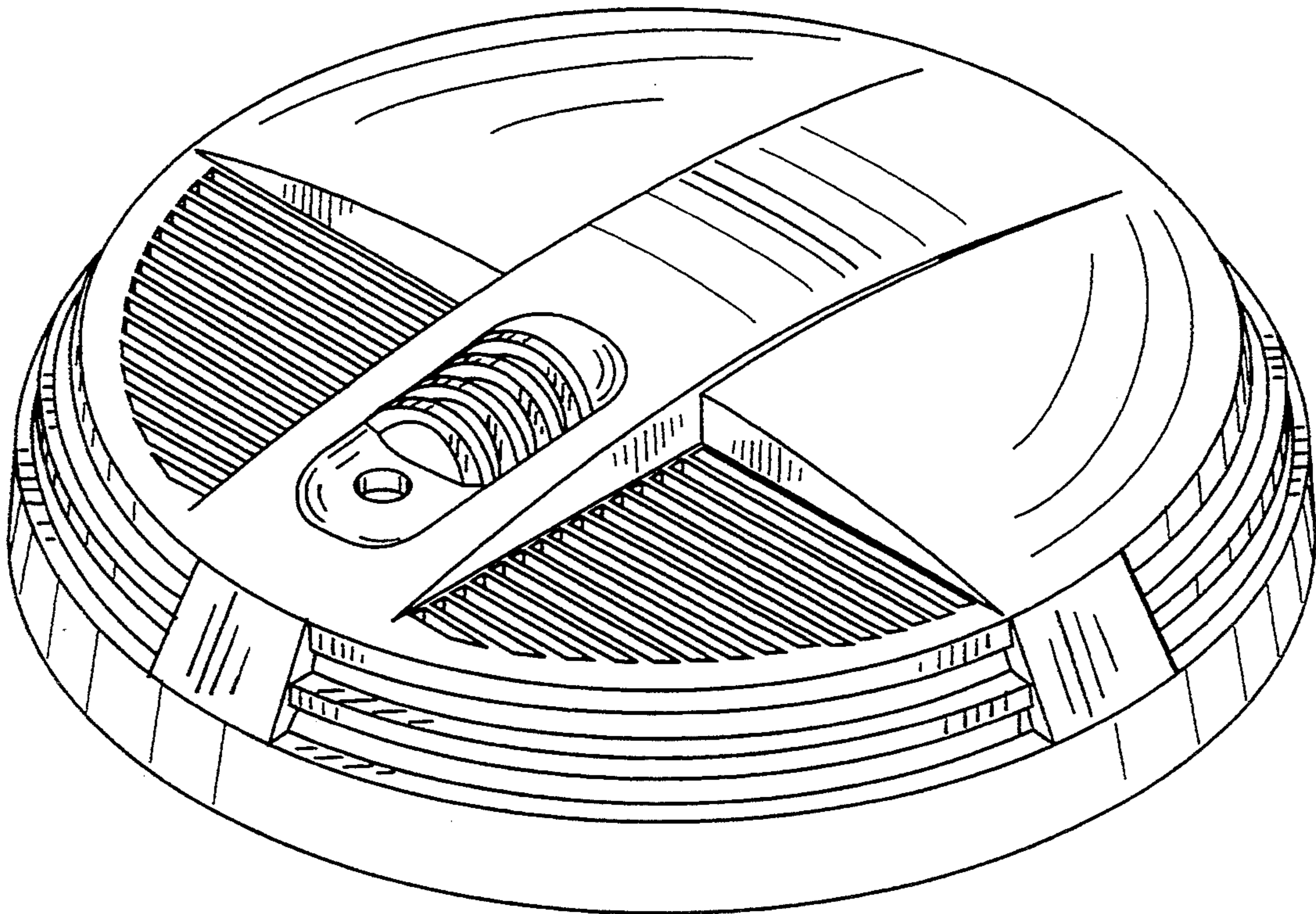


FIG. 1

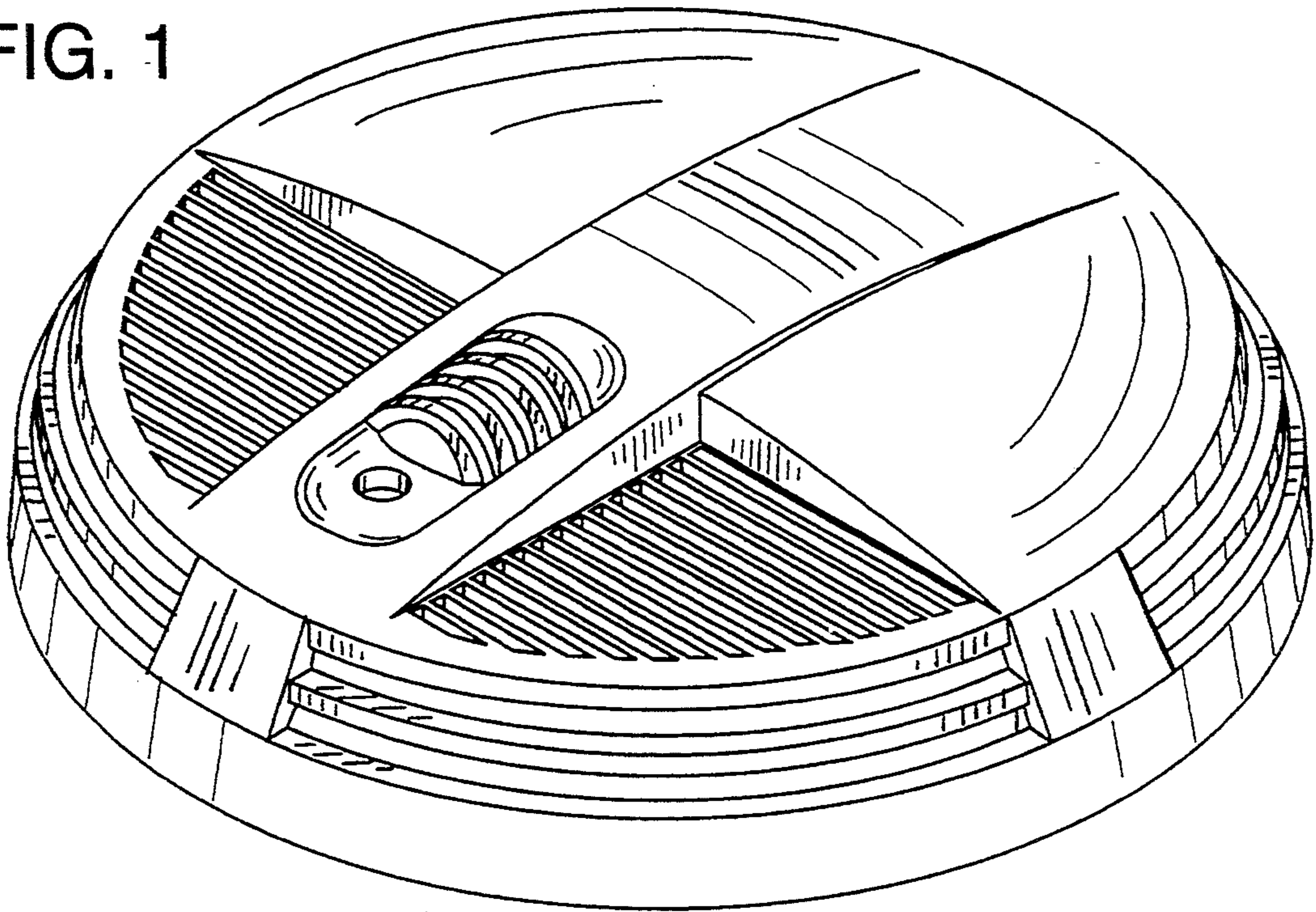


FIG. 2

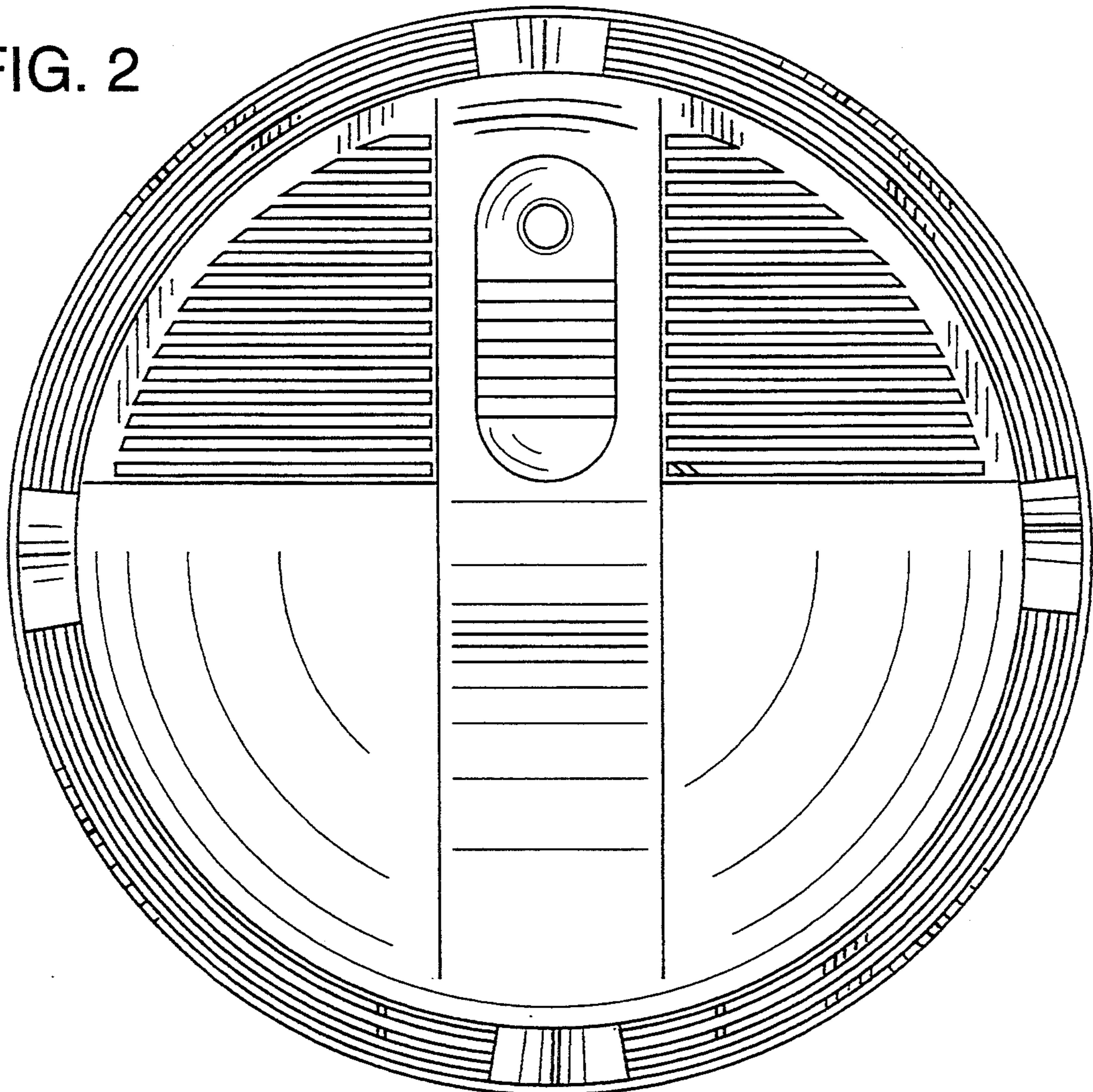


FIG. 3

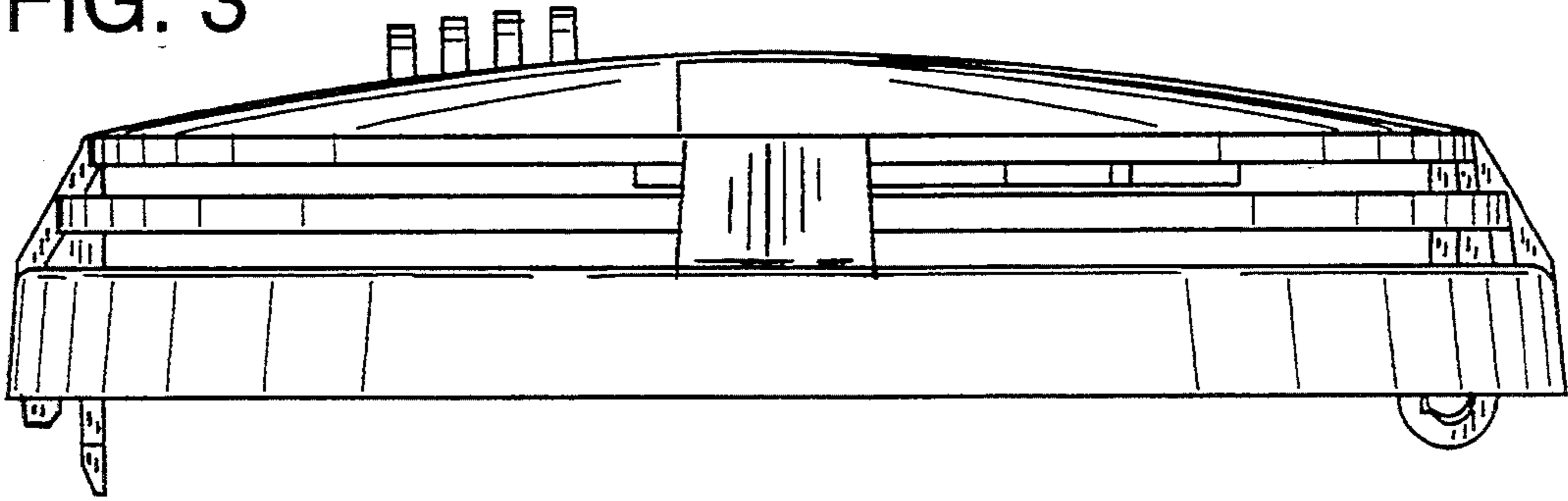


FIG. 4

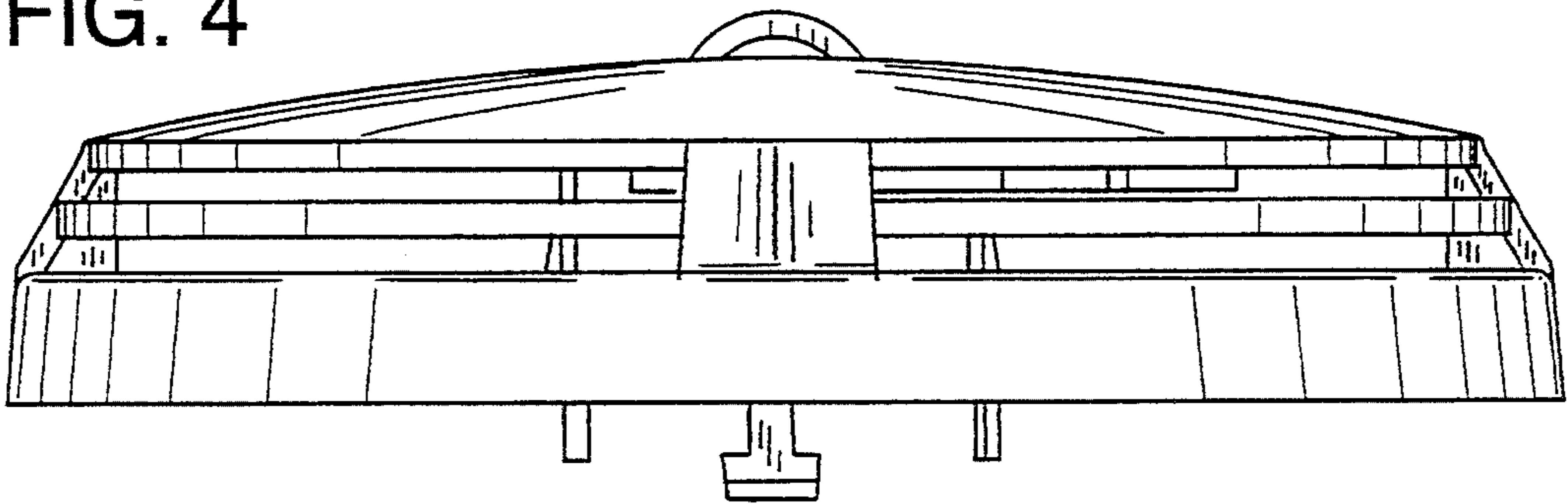


FIG. 5

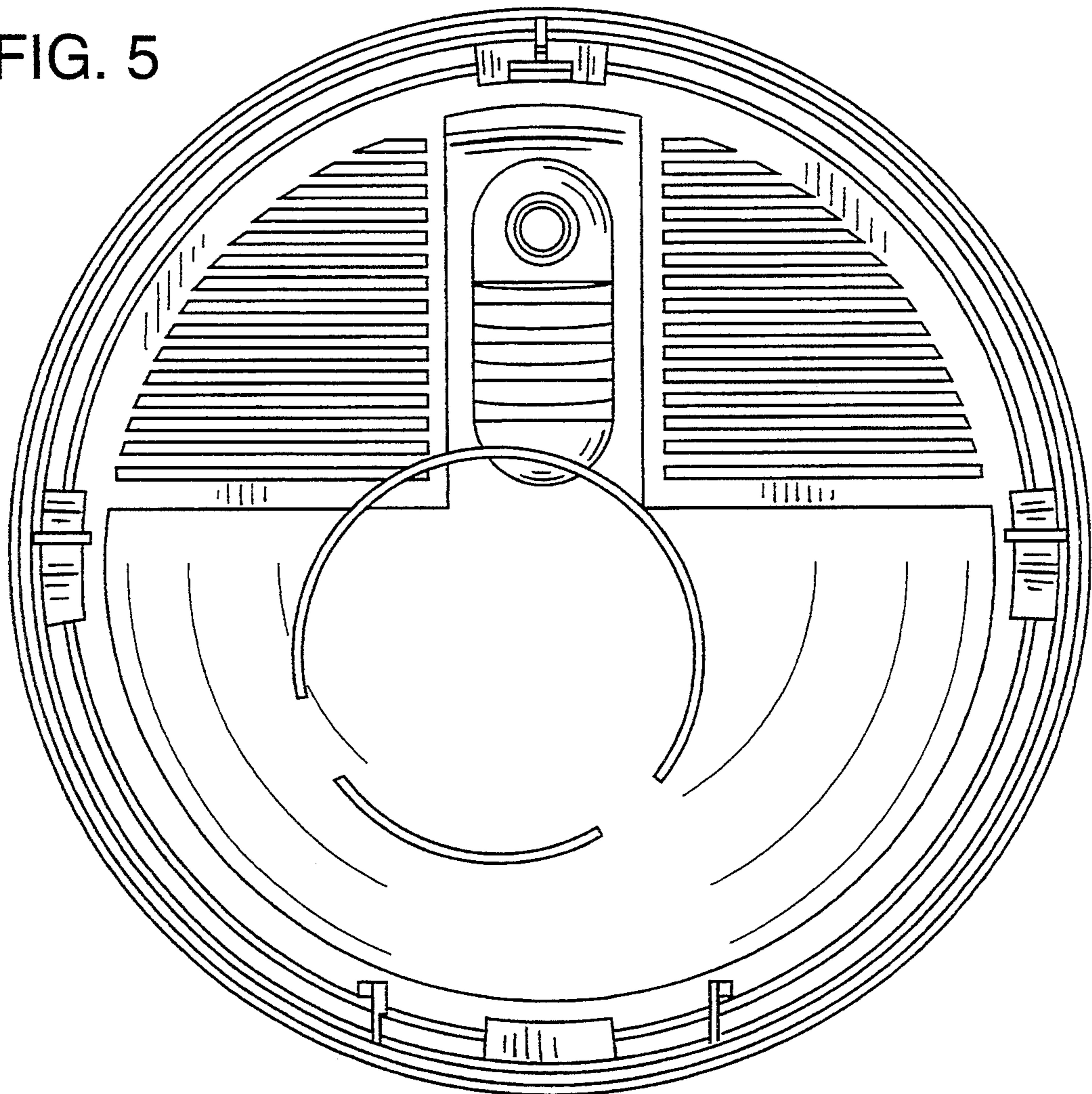


FIG. 6

