



US00D359698S

United States Patent [19]

[11] Patent Number: Des. 359,698

Pierret et al.

[45] Date of Patent: ** Jun. 27, 1995

[54] THERMOSTAT

[75] Inventors: Peter G. Pierret, Fayetteville, N.Y.;
Joseph C. Summa, Carmel, Ind.;
Mark D. Dziersk, Simsbury, Conn.

[73] Assignee: Carrier Corporation, Syracuse, N.Y.

[**] Term: 14 Years

[21] Appl. No.: 25,011

[22] Filed: Jun. 27, 1994

[52] U.S. Cl. D10/50; D10/49

[58] Field of Search D10/49, 50; 236/46 R,
236/47, 94; 337/112, 327, 360

[56] References Cited

U.S. PATENT DOCUMENTS

D. 288,785	3/1987	Levine	D10/50 X
D. 301,119	5/1989	Arnott	D10/50
D. 304,911	12/1989	Parker et al.	D10/50 X
D. 344,462	2/1994	Papadopoulos	D10/50

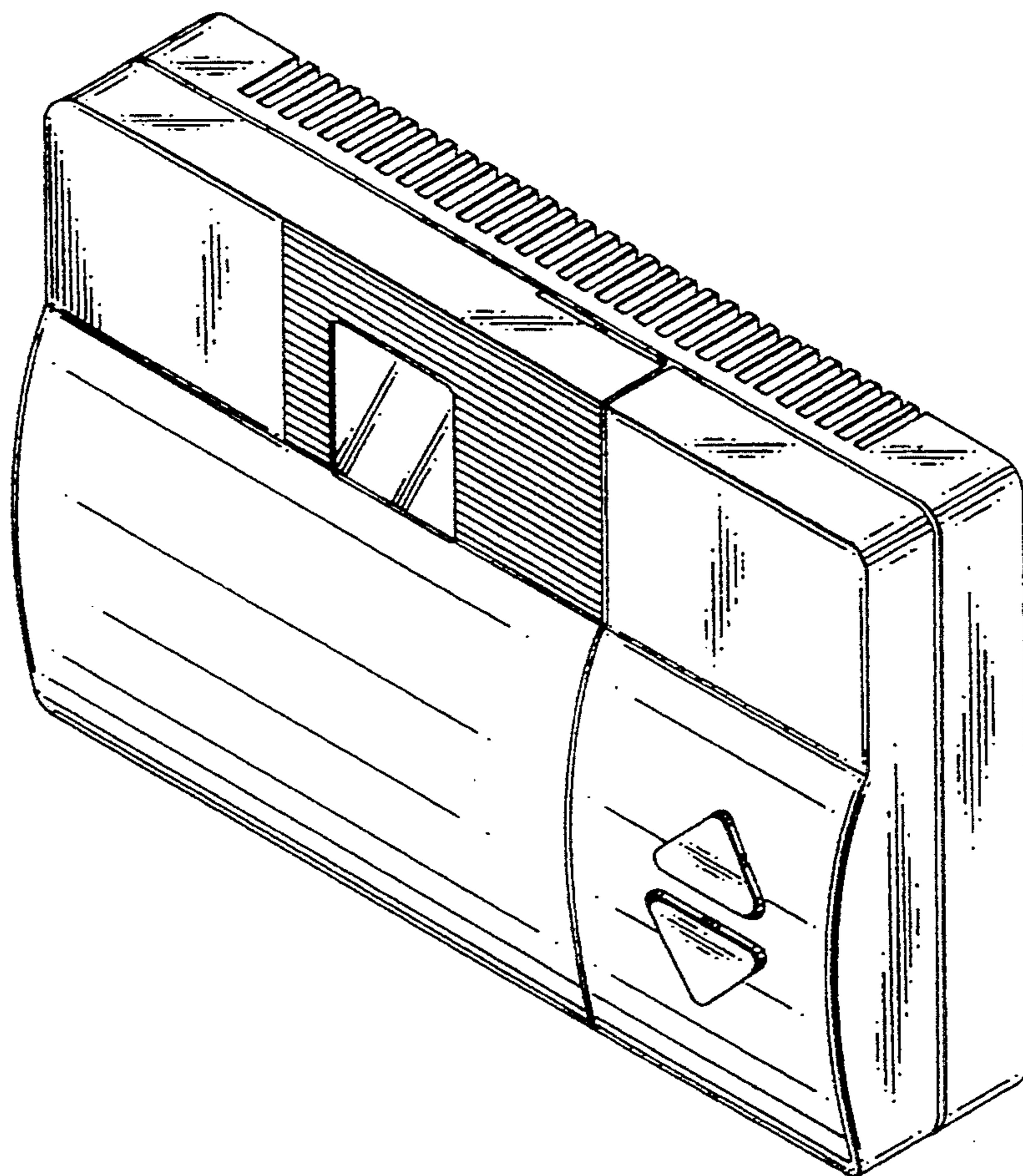
Primary Examiner—Antoine Duval Davis

[57] CLAIM

The ornamental design for a thermostat, as shown and described.

DESCRIPTION

FIG. 1 is a perspective view illustrating the front, right side and top of the thermostat;
 FIG. 2 is a front elevational view of the thermostat;
 FIG. 3 is a left side elevational view of the thermostat;
 FIG. 4 is a right side elevational view of the thermostat;
 FIG. 5 is a top plan view of the thermostat;
 FIG. 6 is a bottom plan view of the thermostat;
 FIG. 7 is a back elevational view of the thermostat;
 FIG. 8 is a top plan view of the thermostat when a front cover is rotated about a hinge on the left side to reveal an interior control panel;
 FIG. 9 is a front elevational view of the thermostat when the front cover is rotated about the hinge to reveal the interior control panel;
 FIG. 10 is a bottom plan view of the thermostat when the front cover is rotated about the hinge to reveal the interior control panel;
 FIG. 11 is a rear elevational view of the thermostat when the front cover is rotated about the hinge to reveal the interior control panel;
 FIG. 12 is a left side elevational view relative to the rear of the thermostat when the front cover is rotated about the hinge to reveal the interior panel; and,
 FIG. 13 is a right side elevational view relative to the rear of the thermostat when the front cover is rotated about the hinge to reveal the interior control panel.



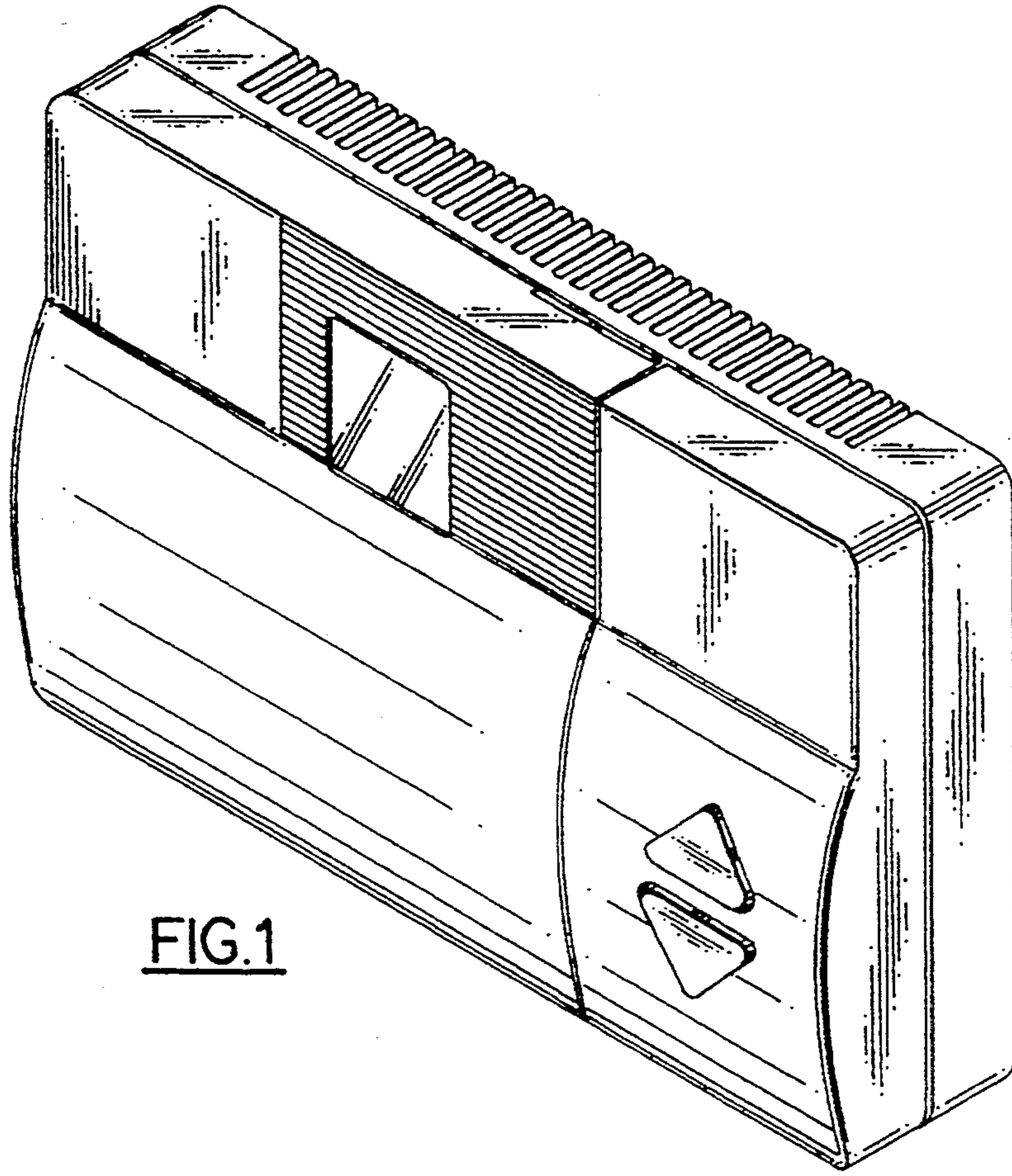


FIG. 1

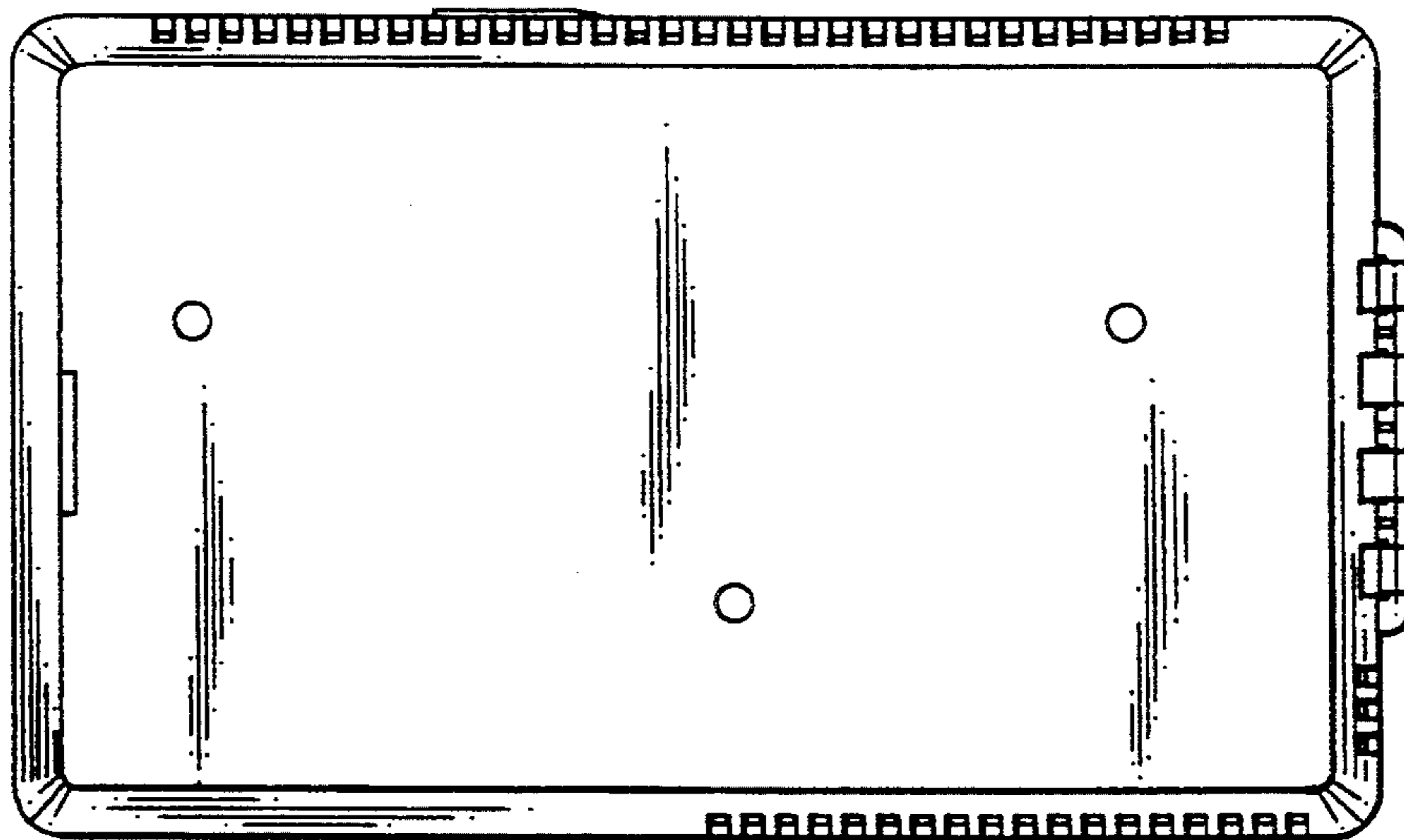


FIG. 7

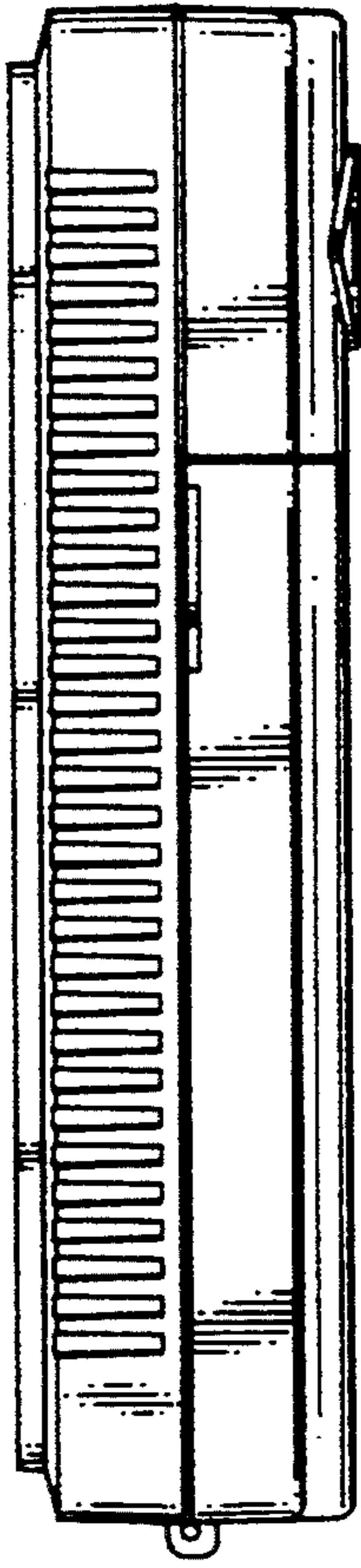


FIG. 5

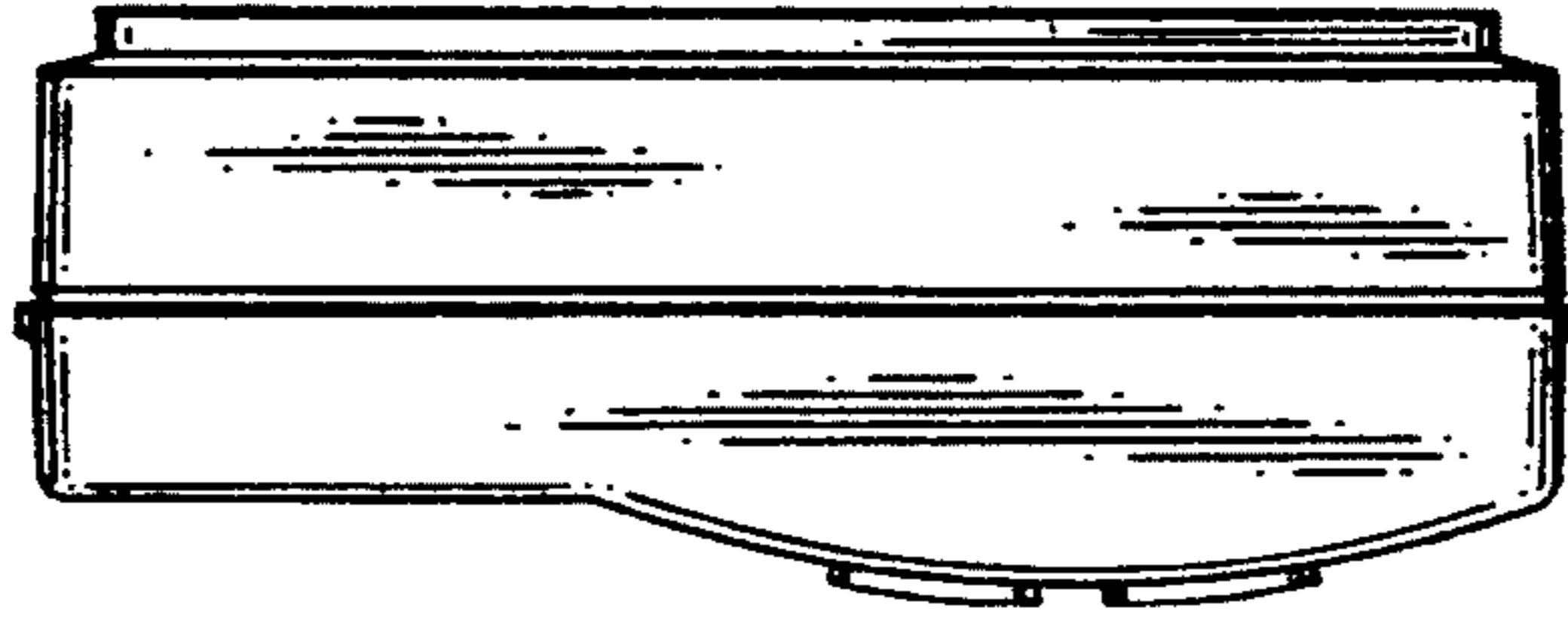


FIG. 4

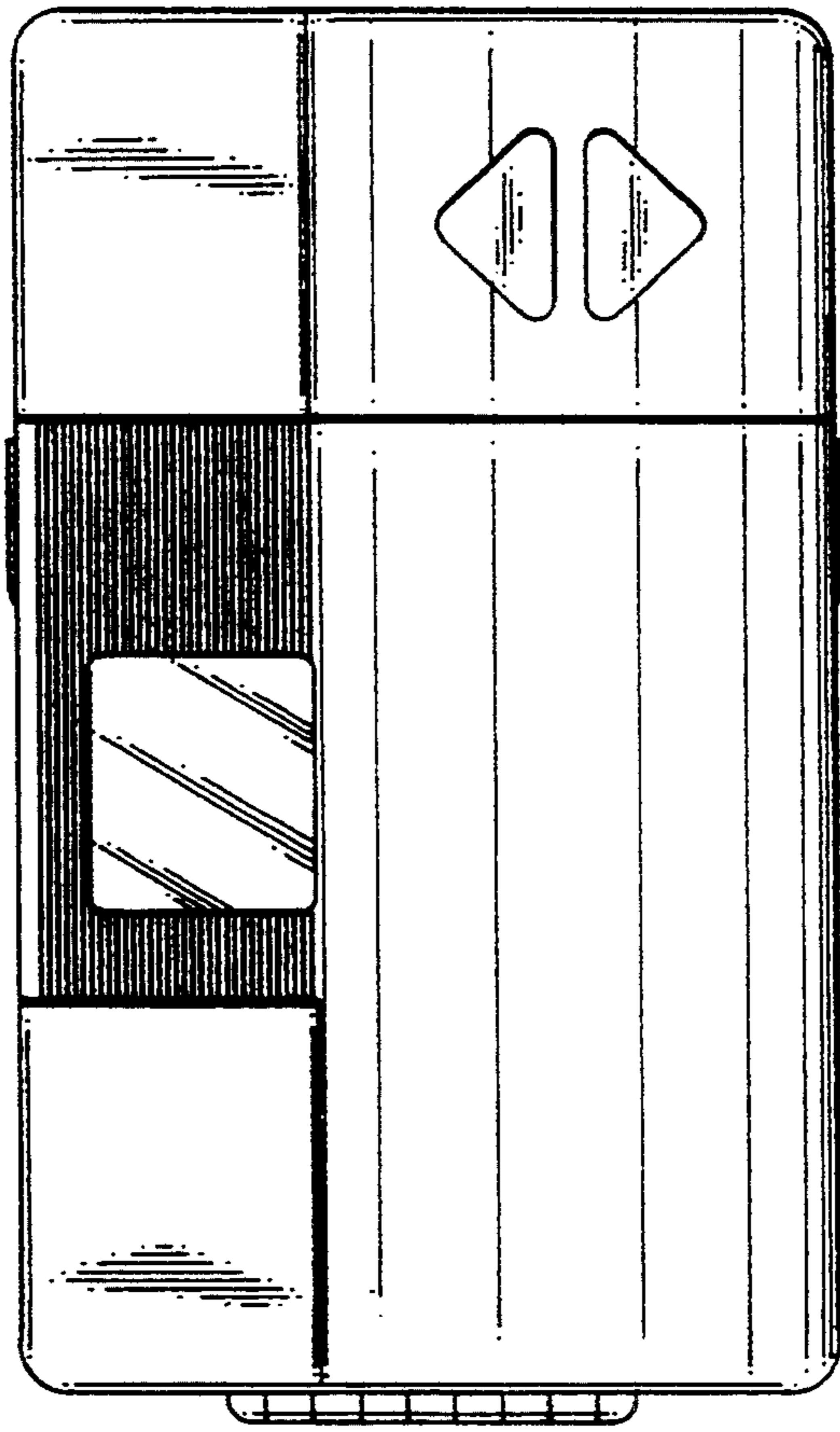


FIG. 2

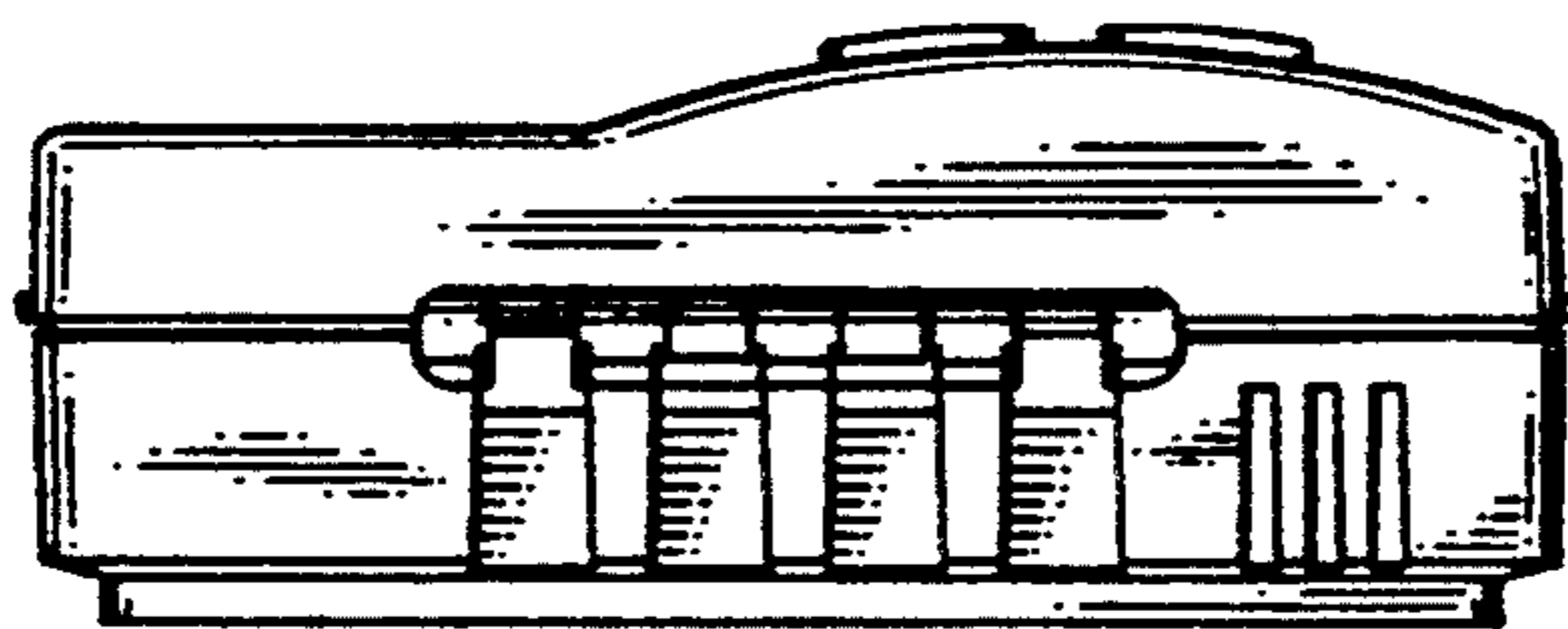


FIG. 3

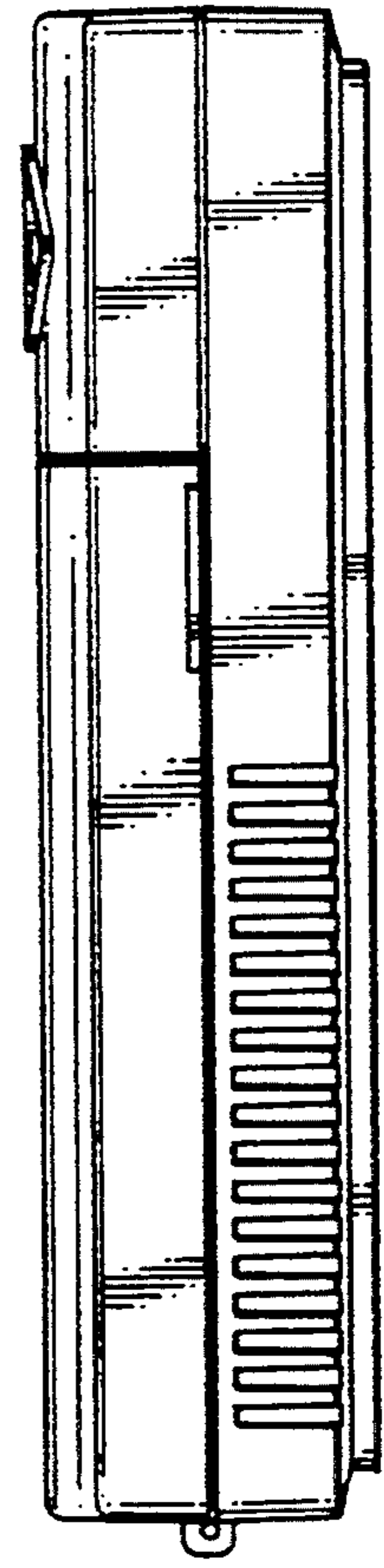


FIG. 6

FIG. 8

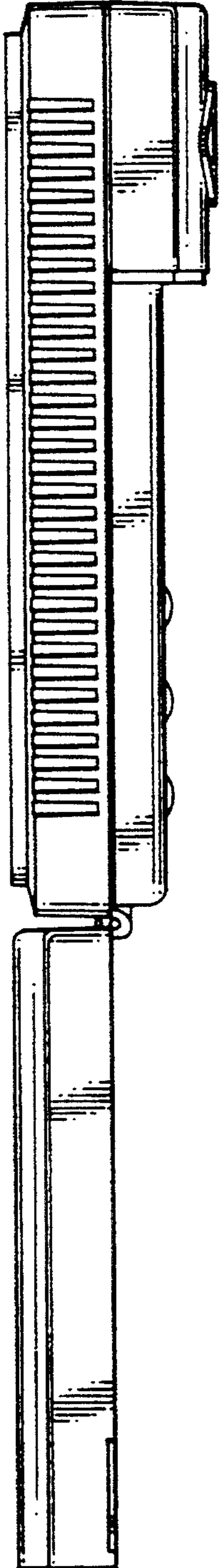


FIG. 9

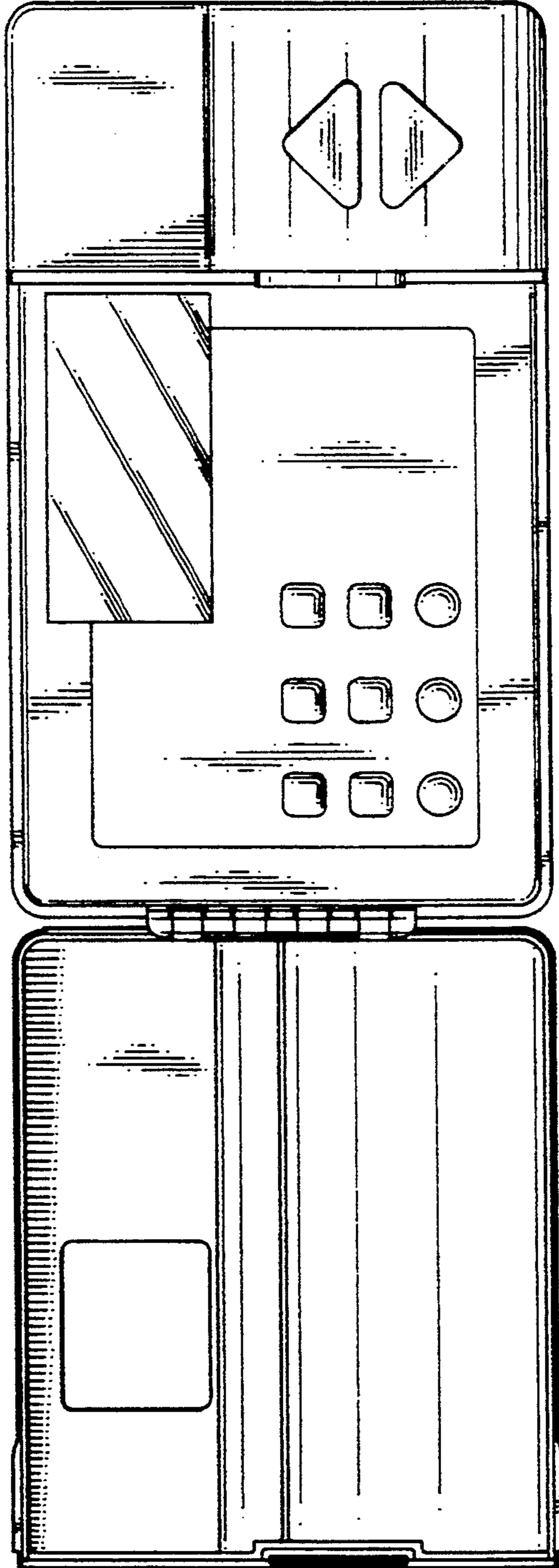


FIG. 10

