



US00D359694S

# United States Patent [19]

[11] Patent Number: **Des. 359,694**

Reeve, Jr.

[45] Date of Patent: **\*\* Jun. 27, 1995**

- [54] **DIGITAL ALARM CLOCK**
- [75] Inventor: **Edward B. Reeve, Jr., Athens, Ga.**
- [73] Assignee: **GTC Properties, Inc., Wilmington, Del.**
- [\*\*] Term: **14 Years**
- [21] Appl. No.: **18,367**
- [22] Filed: **Feb. 4, 1994**
- [52] U.S. Cl. .... **D10/15; D10/21**
- [58] Field of Search ..... **D10/1-40,**  
**D10/122-132; 368/276-277, 285, 316-317,**  
**239-242, 82-84**

- [56] **References Cited**
- U.S. PATENT DOCUMENTS**
- D. 144,720 5/1946 Klay ..... D10/1
  - D. 304,453 11/1989 Matsushima ..... D10/2
  - D. 337,276 7/1993 Yuen ..... D10/2
  - D. 348,397 7/1994 Davis ..... D10/15

- OTHER PUBLICATIONS**
- Hong Kong Enterprise* -Jul. 1988-p. 107-Clocks At Top.

*European Jeweler* -Feb. 1980-p. 117-Clocks At Top--  
 Left & Middle-Right.  
*Handsome Rewards Cat.* -Talking Alarm Clock At Bot-  
 tom Right.

*Primary Examiner*—Nelson C. Holtje  
*Attorney, Agent, or Firm*—Jones, Day, Reavis & Pogue

[57] **CLAIM**

The ornamental design for a digital alarm clock, as shown and described.

**DESCRIPTION**

FIG. 1 is a perspective view of a digital alarm clock showing my new design;  
 FIG. 2 is a left side view of the digital alarm clock illustrated in FIG. 1;  
 FIG. 3 is a front elevational view of the digital alarm clock illustrated in FIG. 1;  
 FIG. 4 is a right side view of the digital alarm clock illustrated in FIG. 1;  
 FIG. 5 is a rear elevational view of the digital alarm clock illustrated in FIG. 1; and,  
 FIG. 6 is a bottom plan view of the digital alarm clock illustrated in FIG. 1.

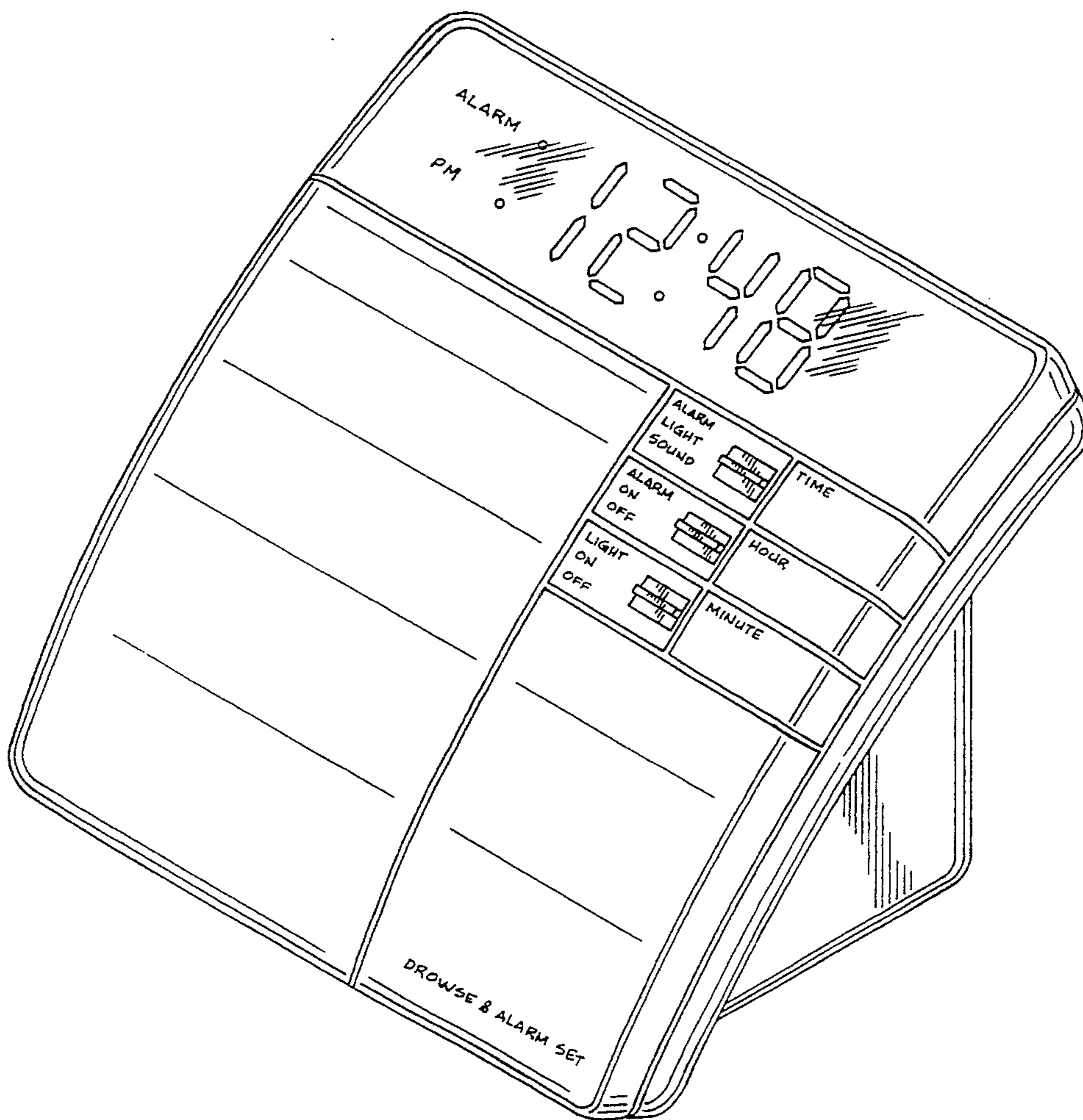


FIG. 1

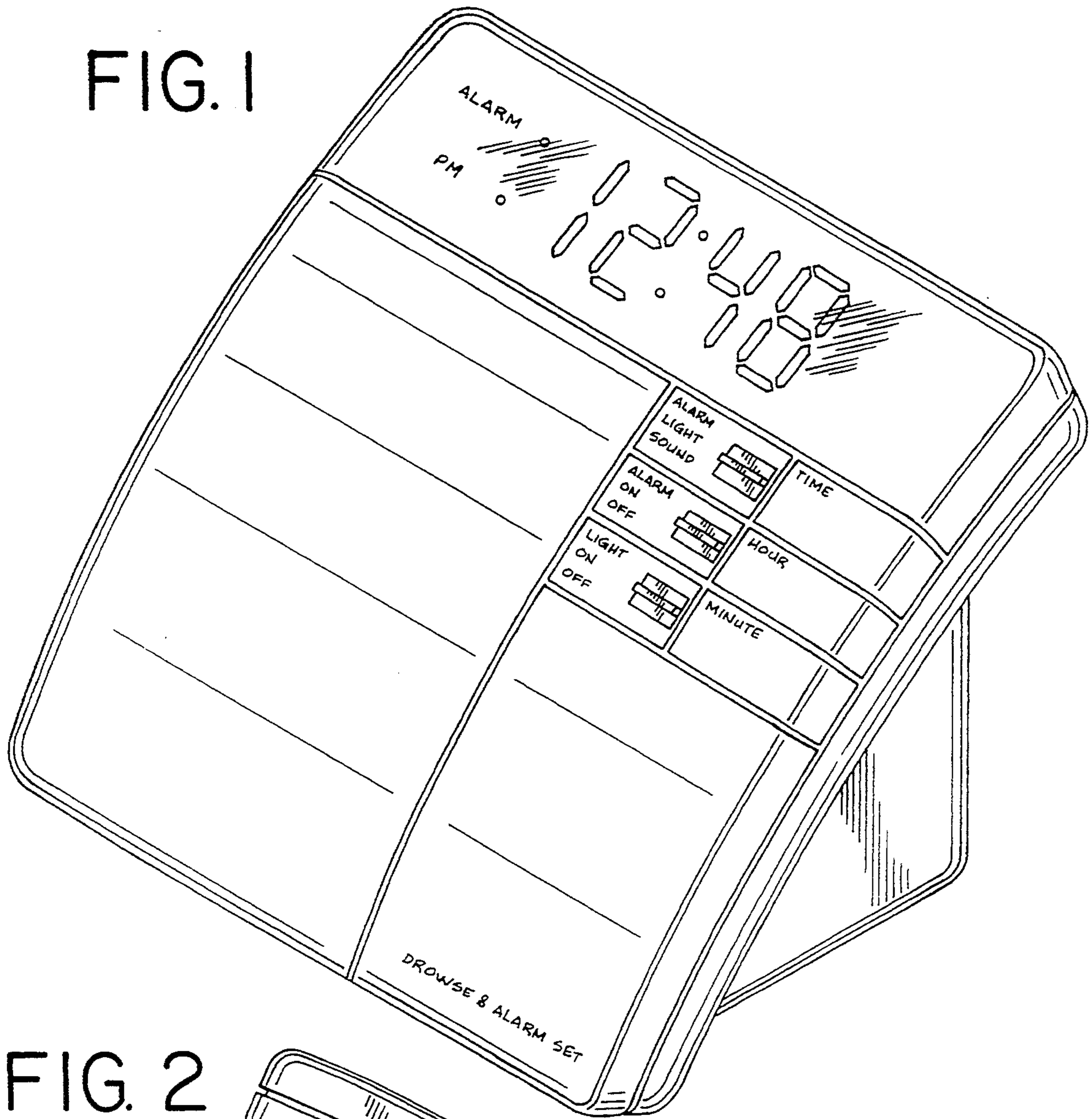
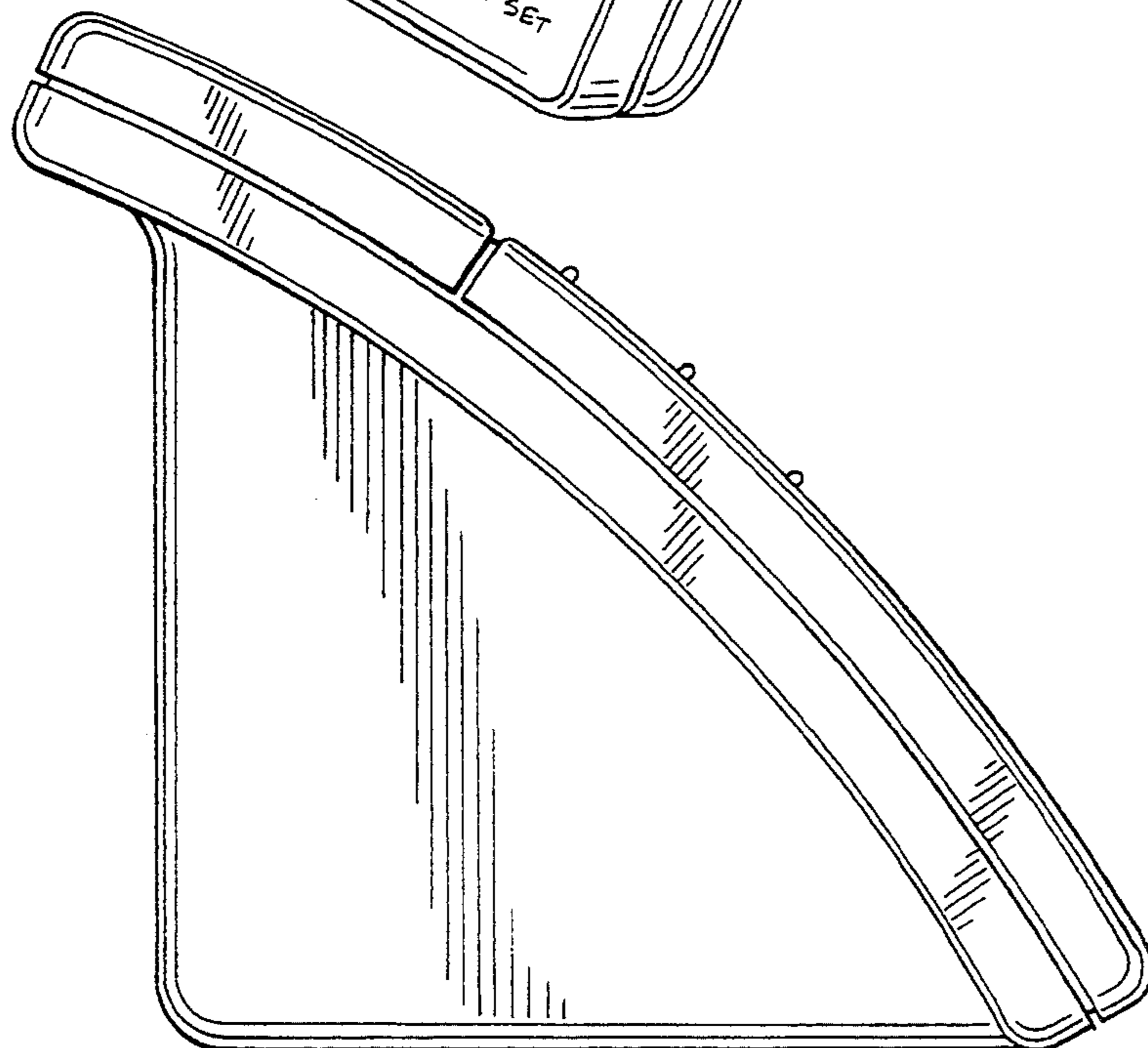
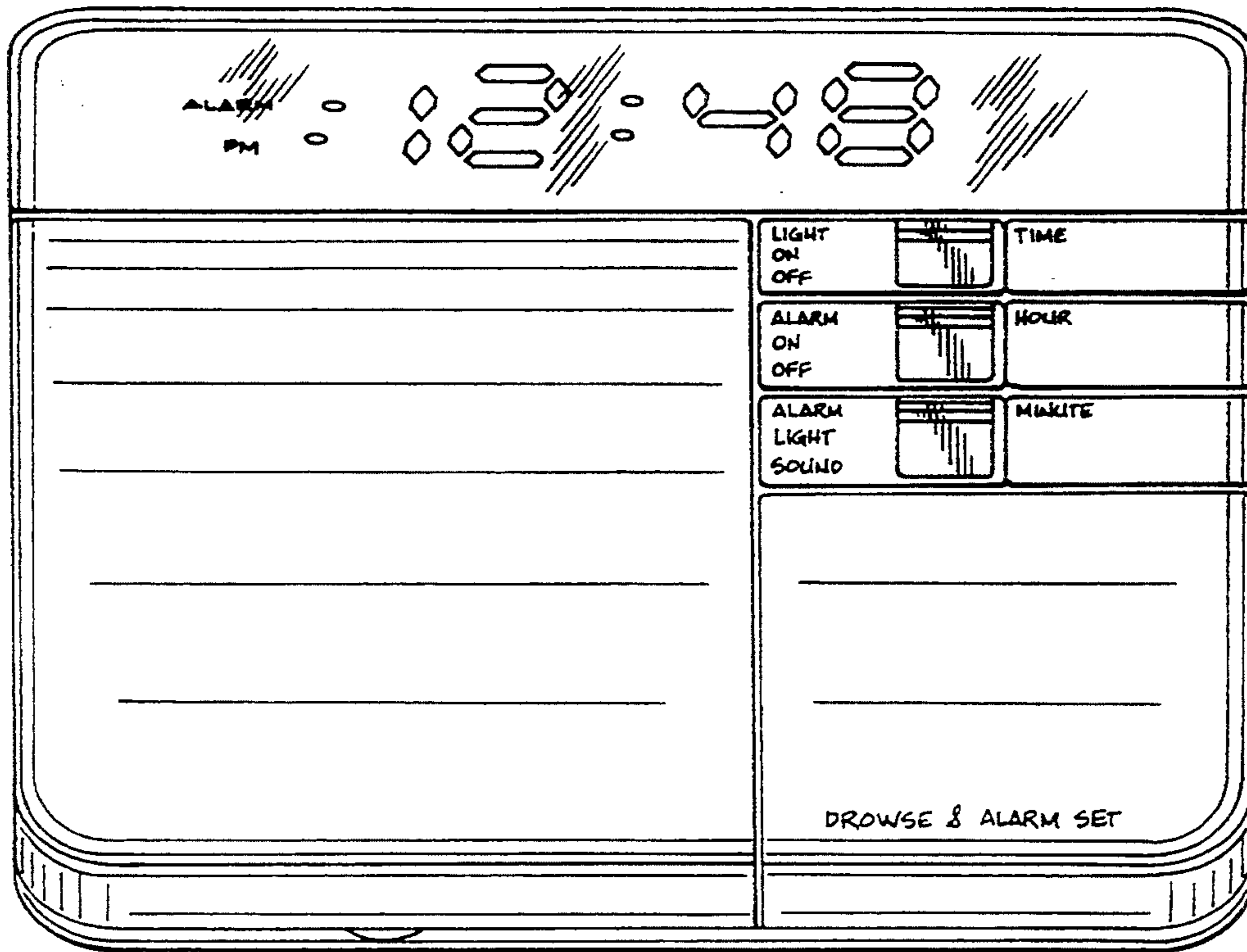


FIG. 2



# FIG. 3



# FIG. 4

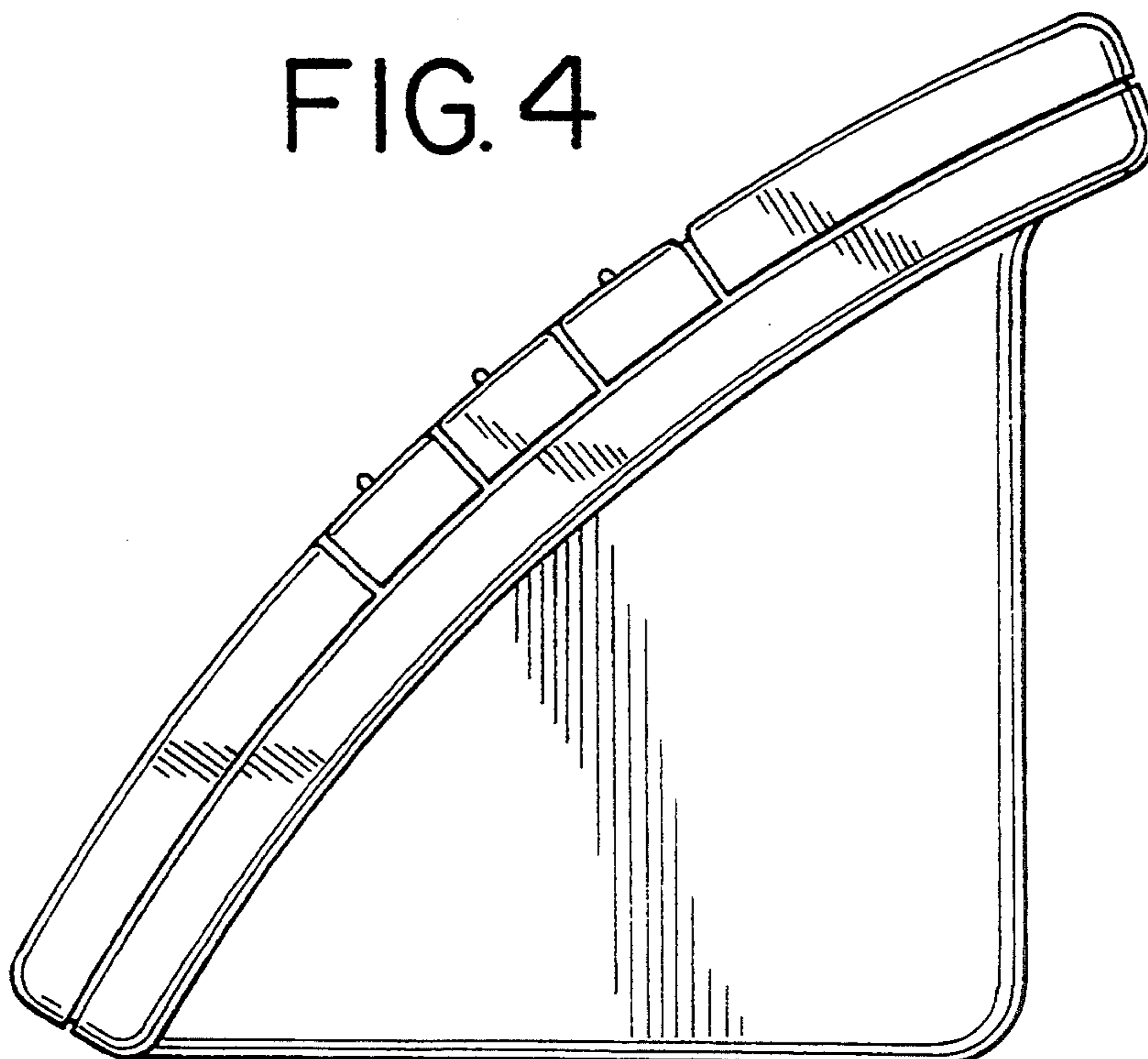


FIG. 5

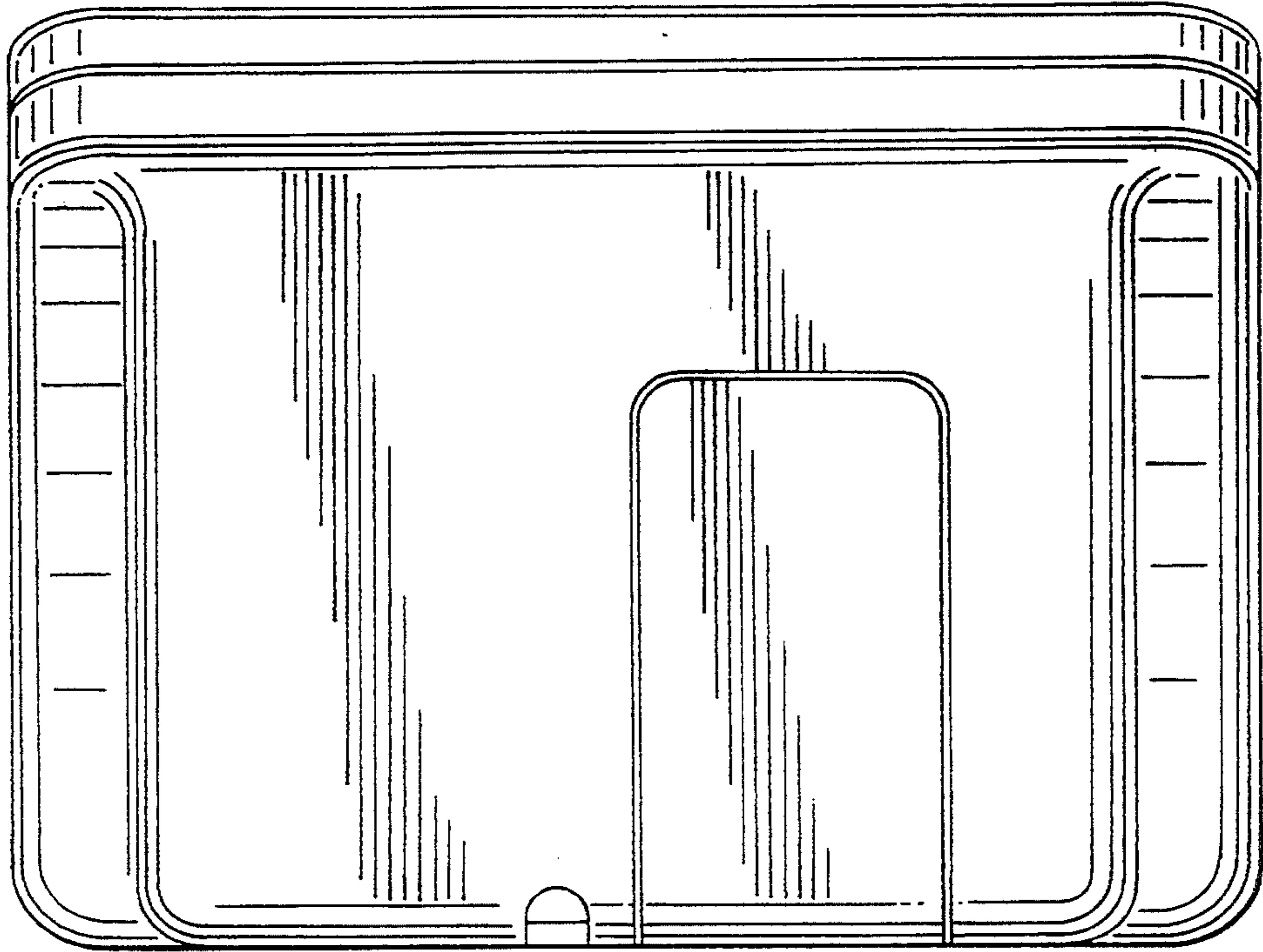


FIG. 6

