



US00D359692S

United States Patent [19]

[11] Patent Number: Des. 359,692

Krobatsch

[45] Date of Patent: ** Jun. 27, 1995

[54] FISHERMAN'S ALARM CLOCK

[76] Inventor: John E. Krobatsch, 3361 NE. 13th Ave., Pompano Beach, Fla. 33064

[**] Term: 14 Years

[21] Appl. No.: 23,309

[22] Filed: May 23, 1994

[52] U.S. Cl. D10/6; D22/140

[58] Field of Search D10/6-13; D22/140; 368/10, 285

D. 294,726 3/1988 Nakamura D22/140

D. 302,843 8/1989 Myojo D22/140

D. 324,716 3/1992 Yoshikawa D22/140

4,445,786 5/1984 Jackson 368/10

Primary Examiner—Nelson C. Holtje
 Attorney, Agent, or Firm—John P. Halvonik

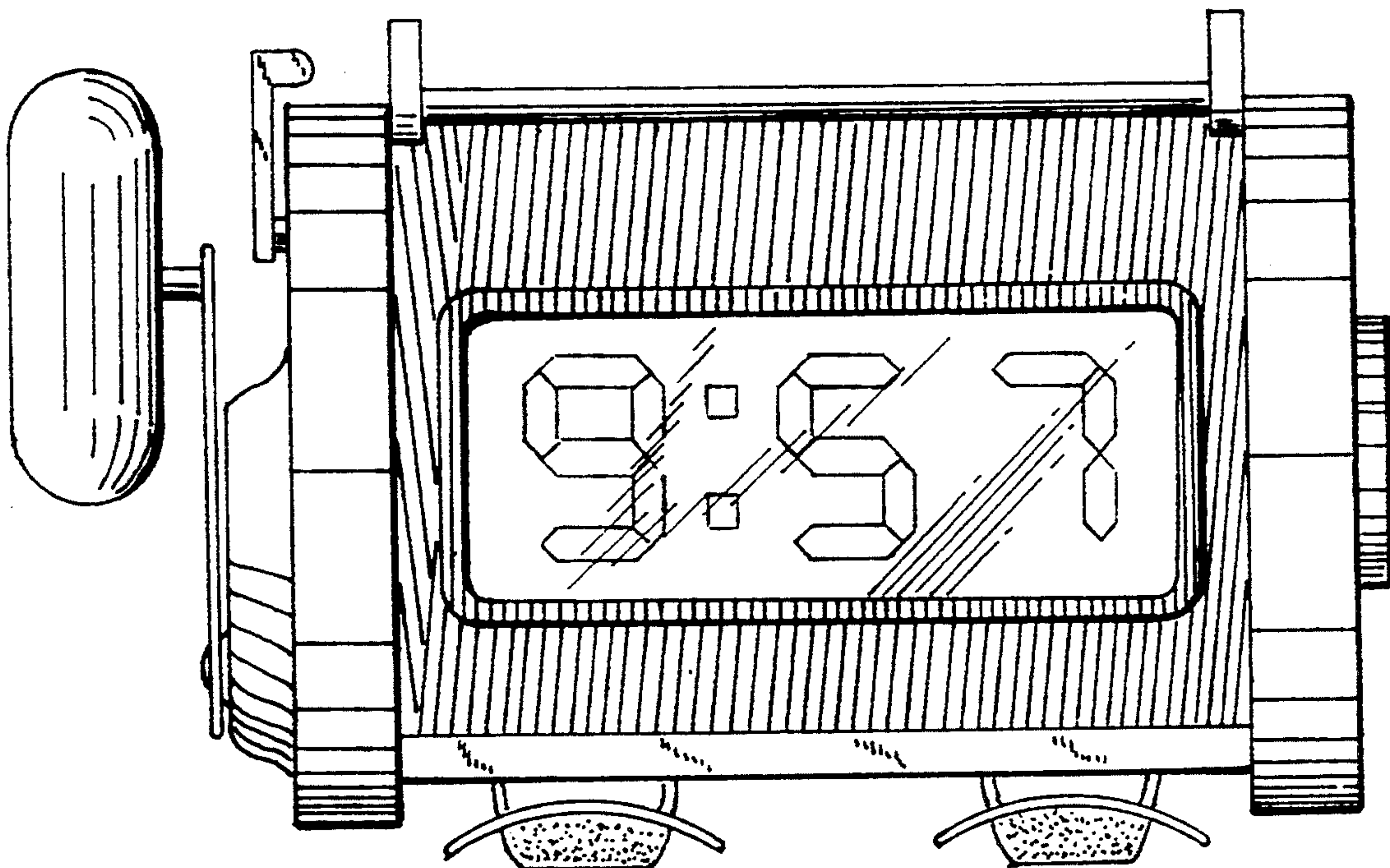
[57] CLAIM

The ornamental design for a fisherman's alarm clock, as shown.

DESCRIPTION

FIG. 1 is a right-rear perspective view thereof;
 FIG. 2 is a front elevational view thereof;
 FIG. 3 is a right side elevational view thereof;
 FIG. 4 is a rear elevational view thereof;
 FIG. 5 is a left side elevational view thereof;
 FIG. 6 is a top plan view thereof; and,
 FIG. 7 is a bottom plan view thereof.

- [56] References Cited
- U.S. PATENT DOCUMENTS
- | | | | | |
|------------|---------|---------|-------|---------|
| D. 82,279 | 10/1930 | Pfueger | | D22/140 |
| D. 105,790 | 8/1937 | Coxe | | D22/140 |
| D. 228,302 | 9/1973 | Ingram | | D10/6 |
| D. 256,494 | 8/1980 | Okada | | D22/140 |
| D. 257,168 | 9/1980 | Okada | | D22/140 |



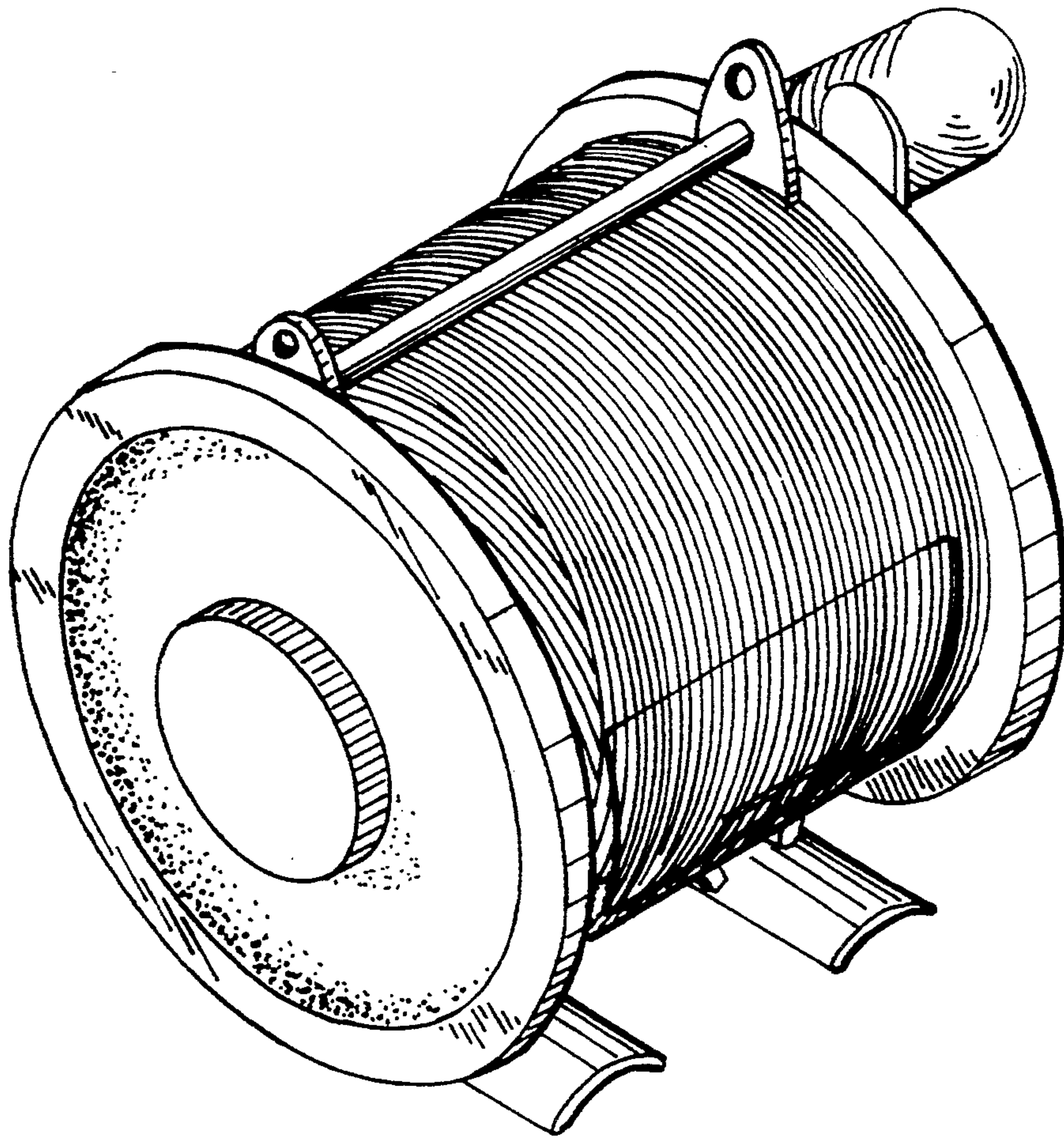


FIG. 1

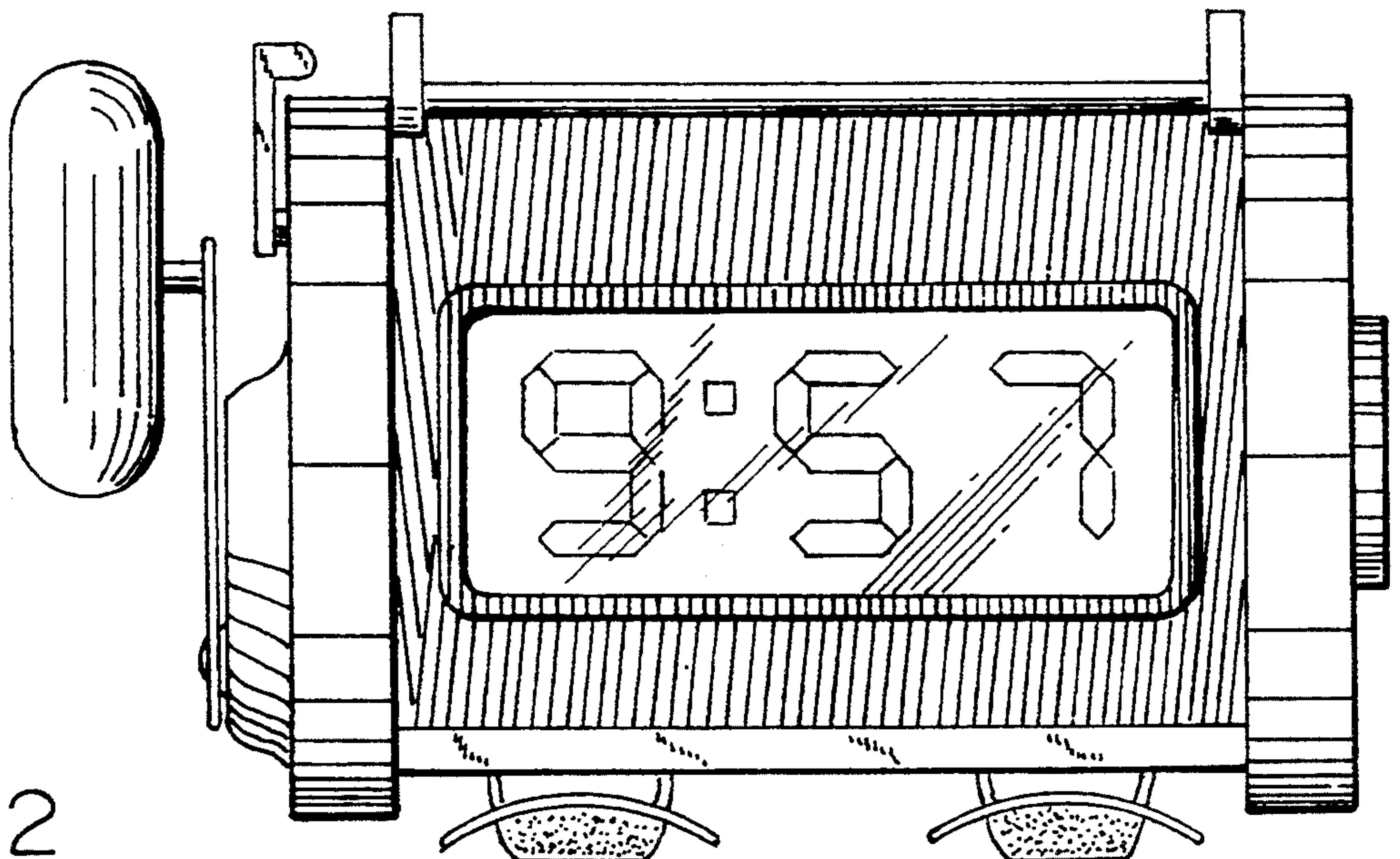


FIG. 2

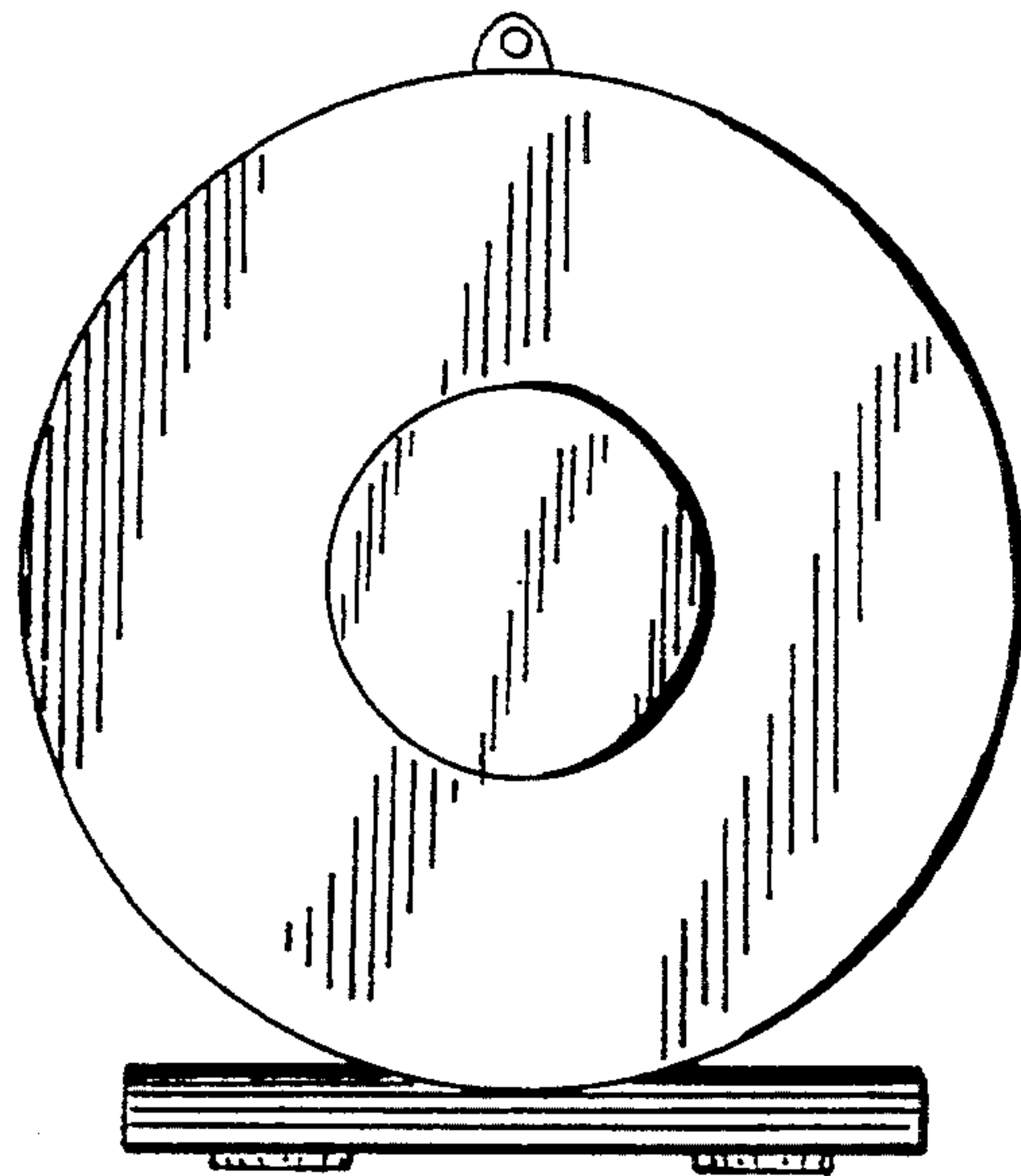


FIG. 3

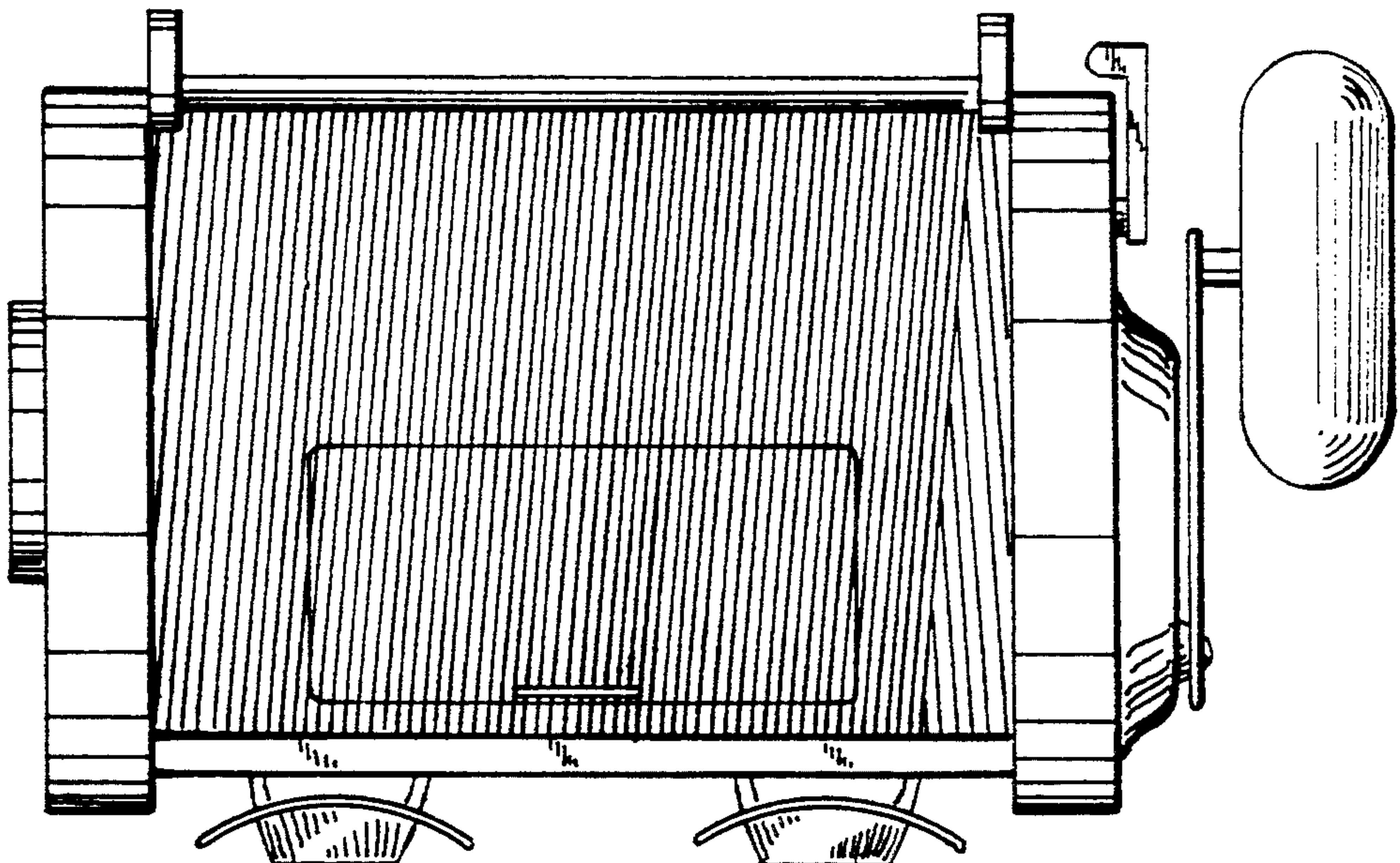


FIG. 4

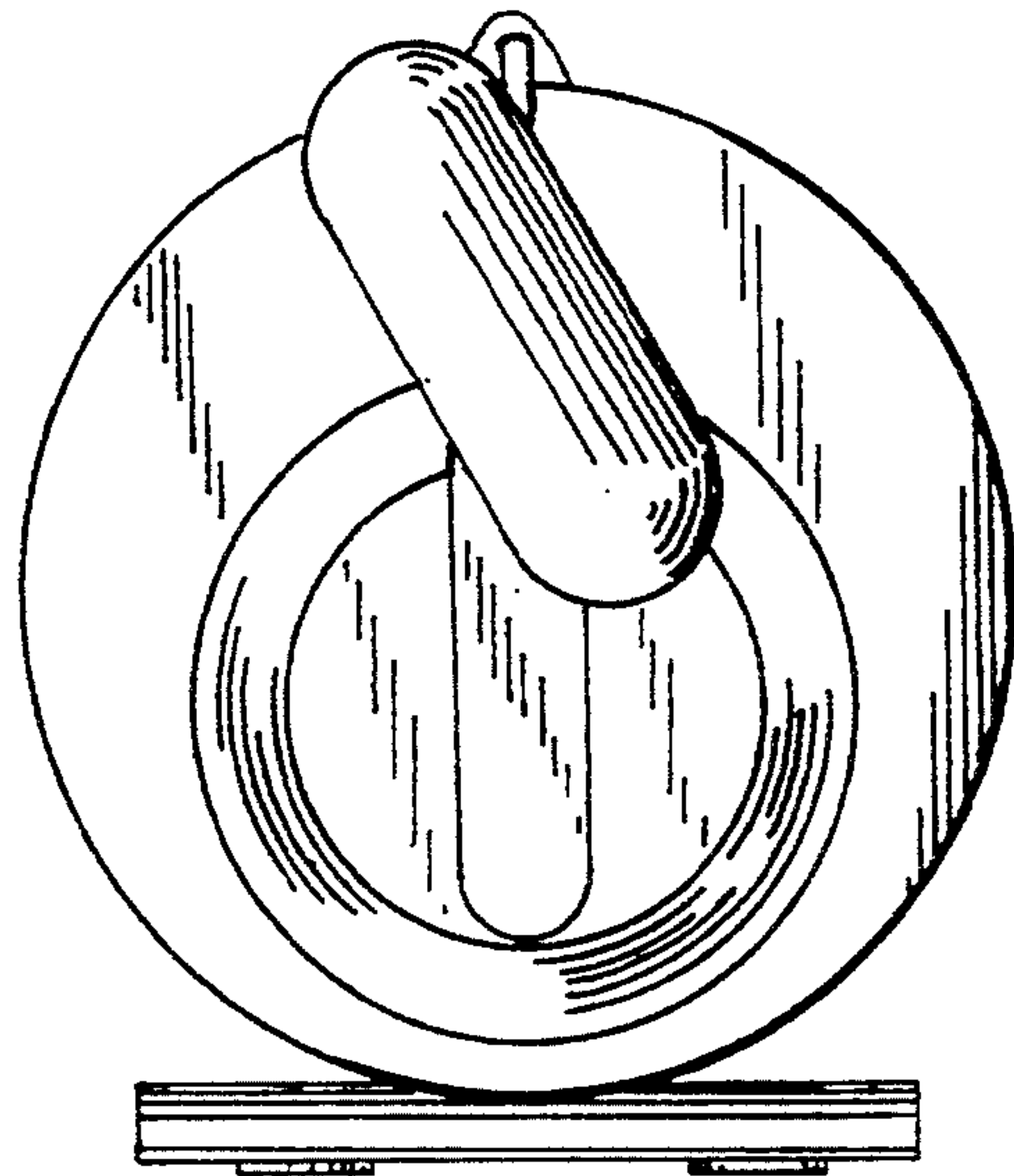


FIG. 5

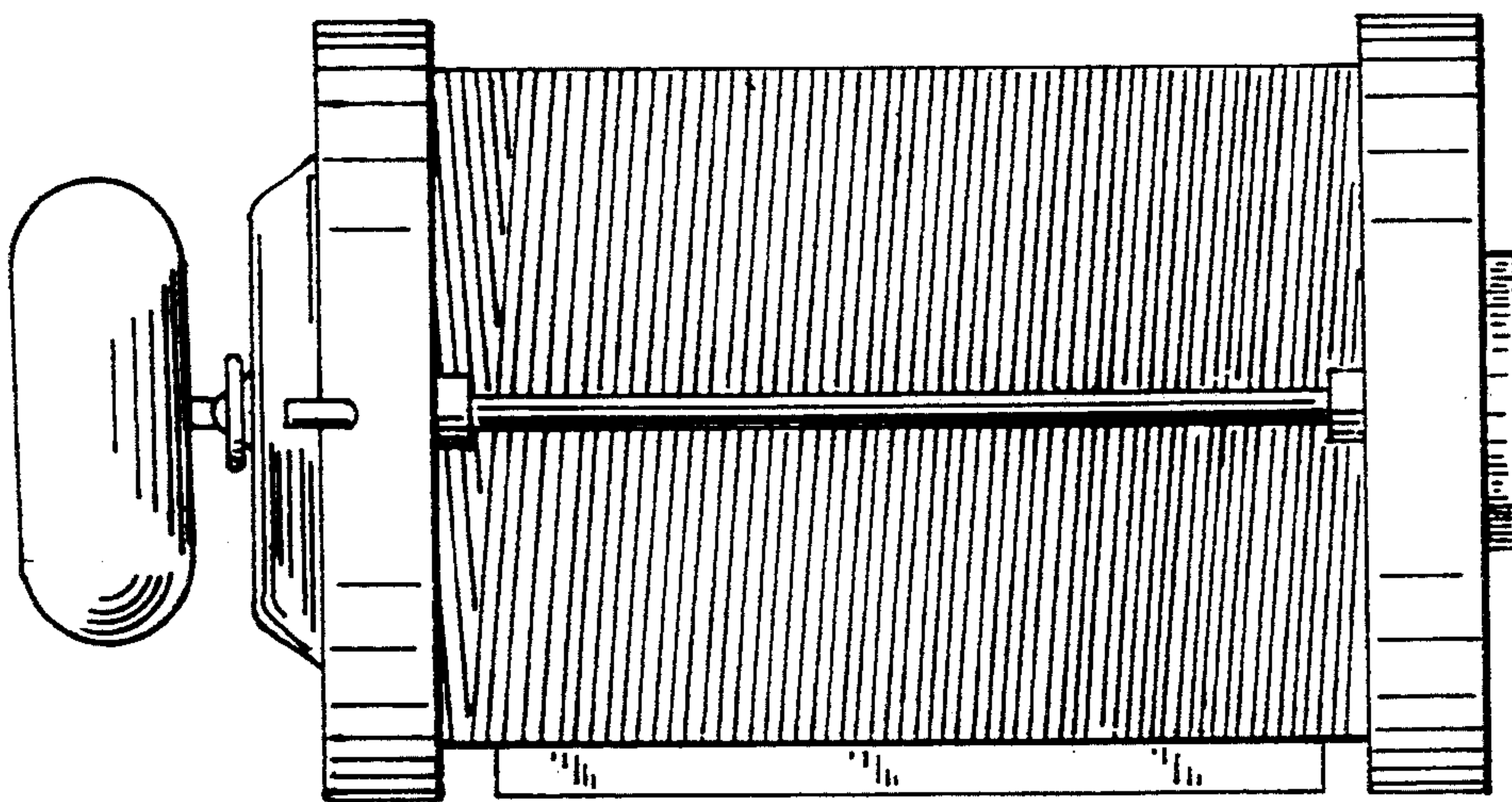


FIG. 6

FIG. 7

