



US00D359687S

United States Patent [19]
Arshinoff

[11] **Patent Number: Des. 359,687**
[45] **Date of Patent: ** Jun. 27, 1995**

[54] **LID**

[75] **Inventor: Stephen Arshinoff, Willowdale, Canada**
[73] **Assignee: Industrial Containers Ltd., Toronto, Ontario, Canada**
[**] **Term: 14 Years**
[21] **Appl. No.: 13,249**

[22] **Filed: Sep. 22, 1993**
[52] **U.S. Cl. D9/447**
[58] **Field of Search D7/317, 321, 619, 629-630; D9/434-436, 438, 440, 444, 446-447, 449, 454; 215/235, 317; 220/306, 375; 222/478, 481**

[56] **References Cited**
U.S. PATENT DOCUMENTS

D. 239,257	3/1976	Balocca et al.	D9/438
D. 278,413	4/1985	Woodcock et al.	D9/446
314,514	2/1991	Ten Eyck et al.	D9/447
D. 319,982	9/1991	Matthews	D9/449
4,347,946	9/1982	Nichols	220/375

OTHER PUBLICATIONS

"Valerex" Container Advertisement, *Packaging Review*, Jul. 1981, p. 23. Copy on File in Gau 2903.

Primary Examiner—Alan P. Douglas
Assistant Examiner—R. Spear
Attorney, Agent, or Firm—Sim & McBurney

[57] **CLAIM**

The ornamental design for a lid, as shown and described.

DESCRIPTION

FIG. 1 is a perspective view of a lid according to my invention;
FIG. 2 is a top plan view of the lid shown in FIG. 1;
FIG. 3 is a left side view of the lid shown in FIG. 1, the right side, front and rear views being identical to FIG. 2;
FIG. 4 is a bottom plan view of the lid shown in FIG. 1;
FIG. 5 is a perspective view of a lid according to an alternative embodiment of my invention;
FIG. 6 is a top plan view of the lid shown in FIG. 5; and,
FIG. 7 is a bottom plan view of the lid shown in FIG. 5.

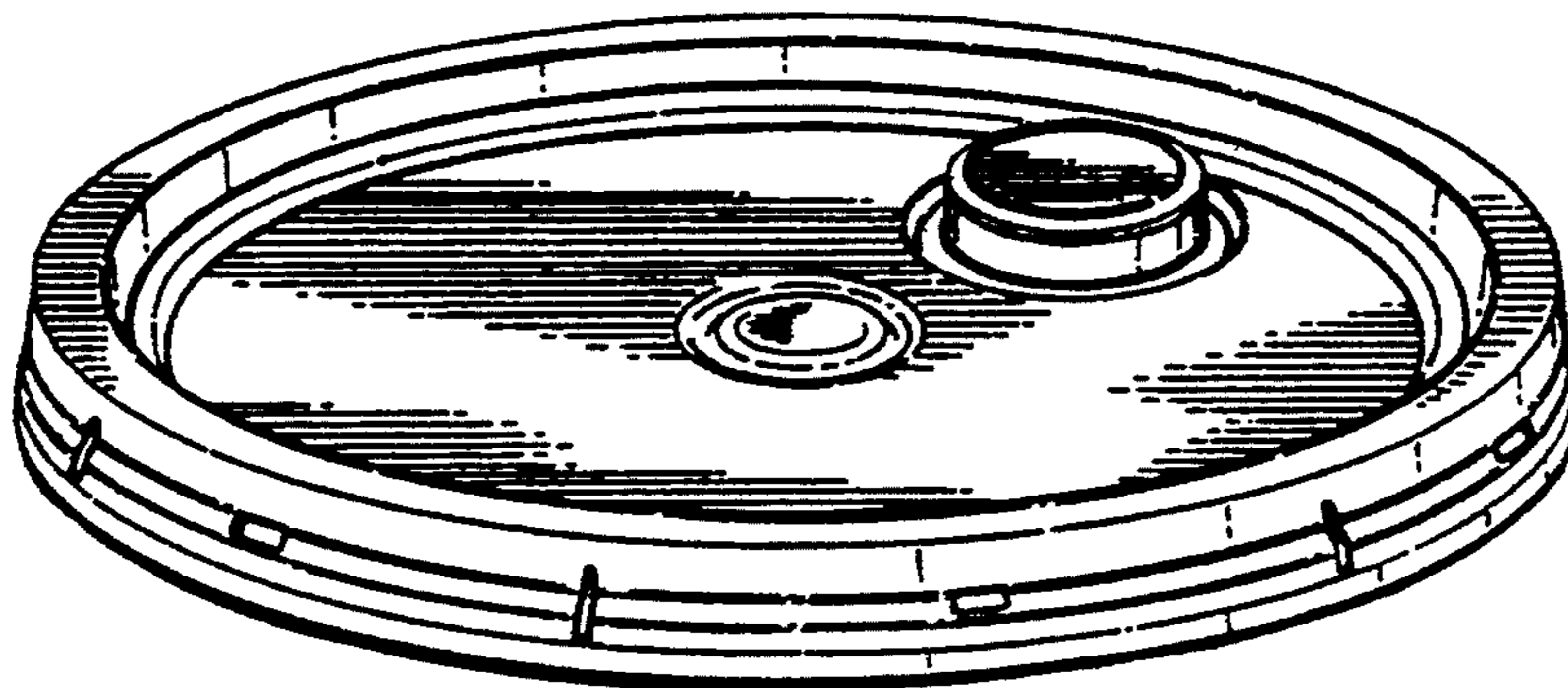
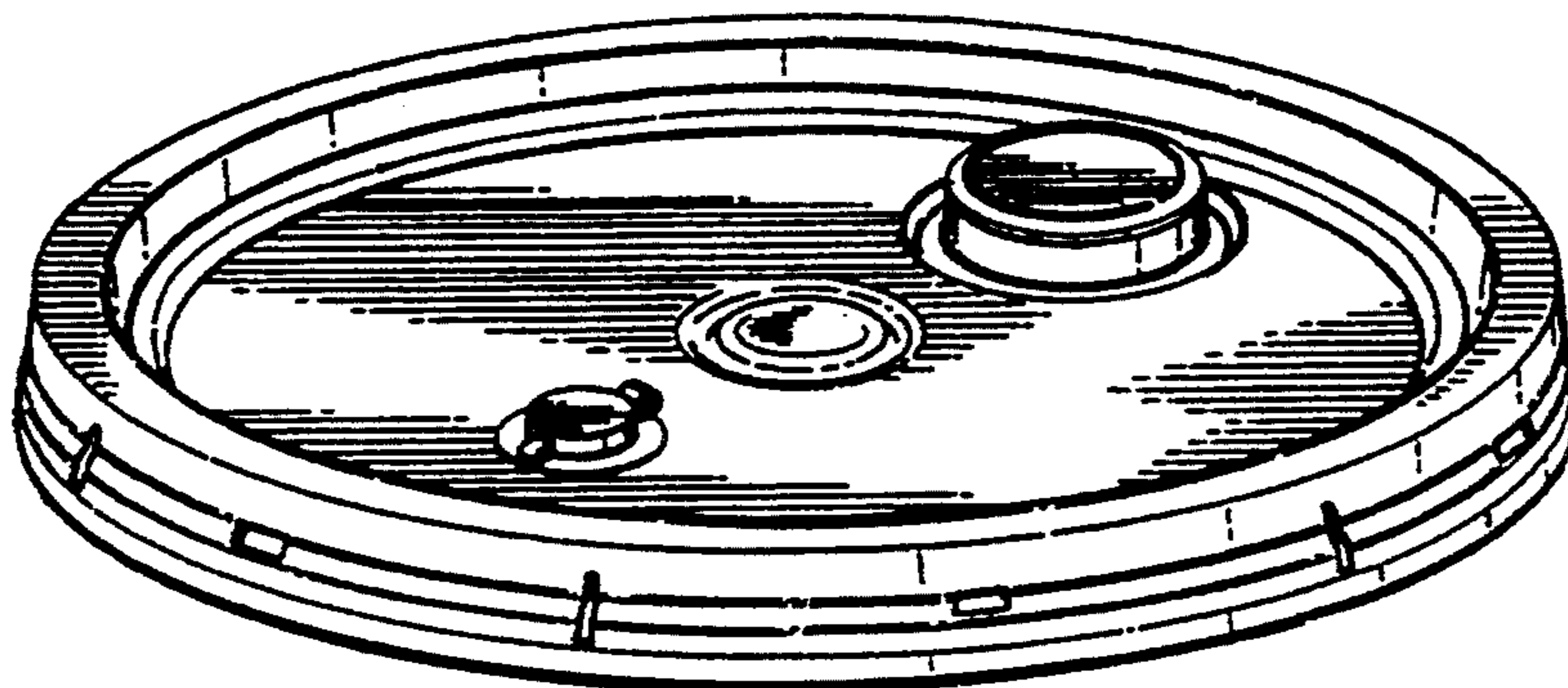


FIG. 1.

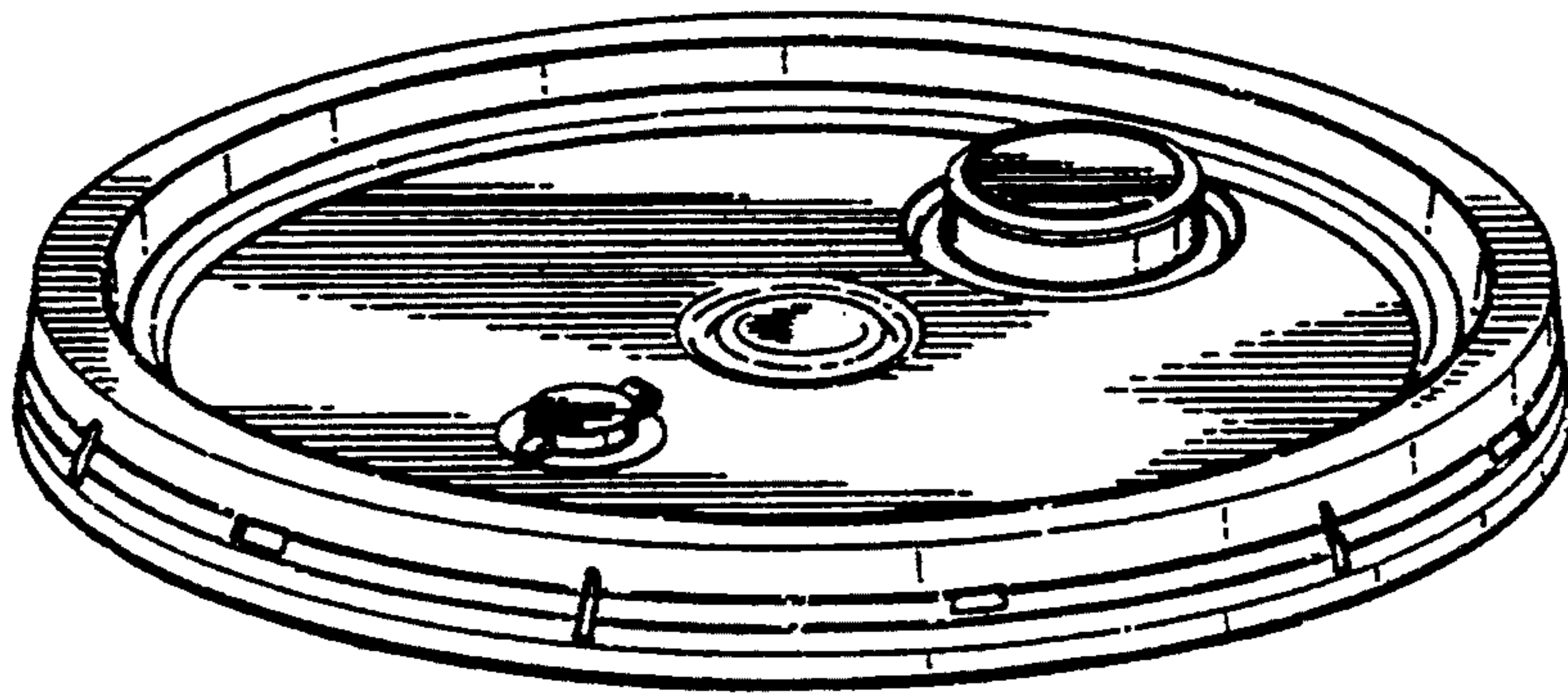


FIG. 2.

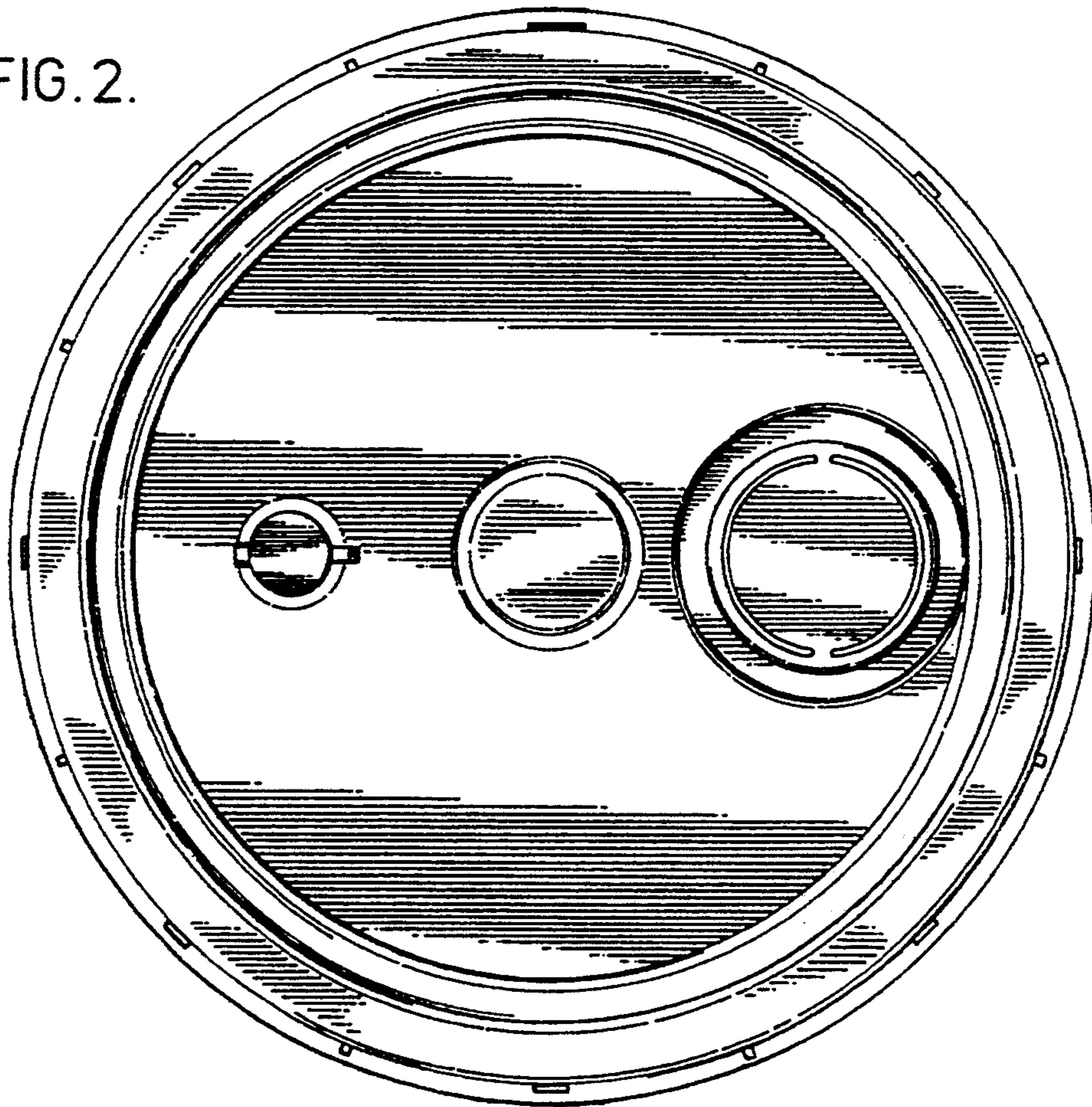


FIG. 3.

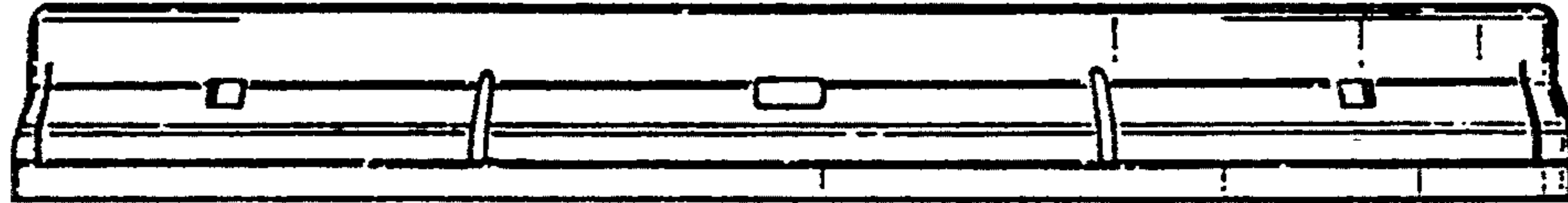


FIG. 4.

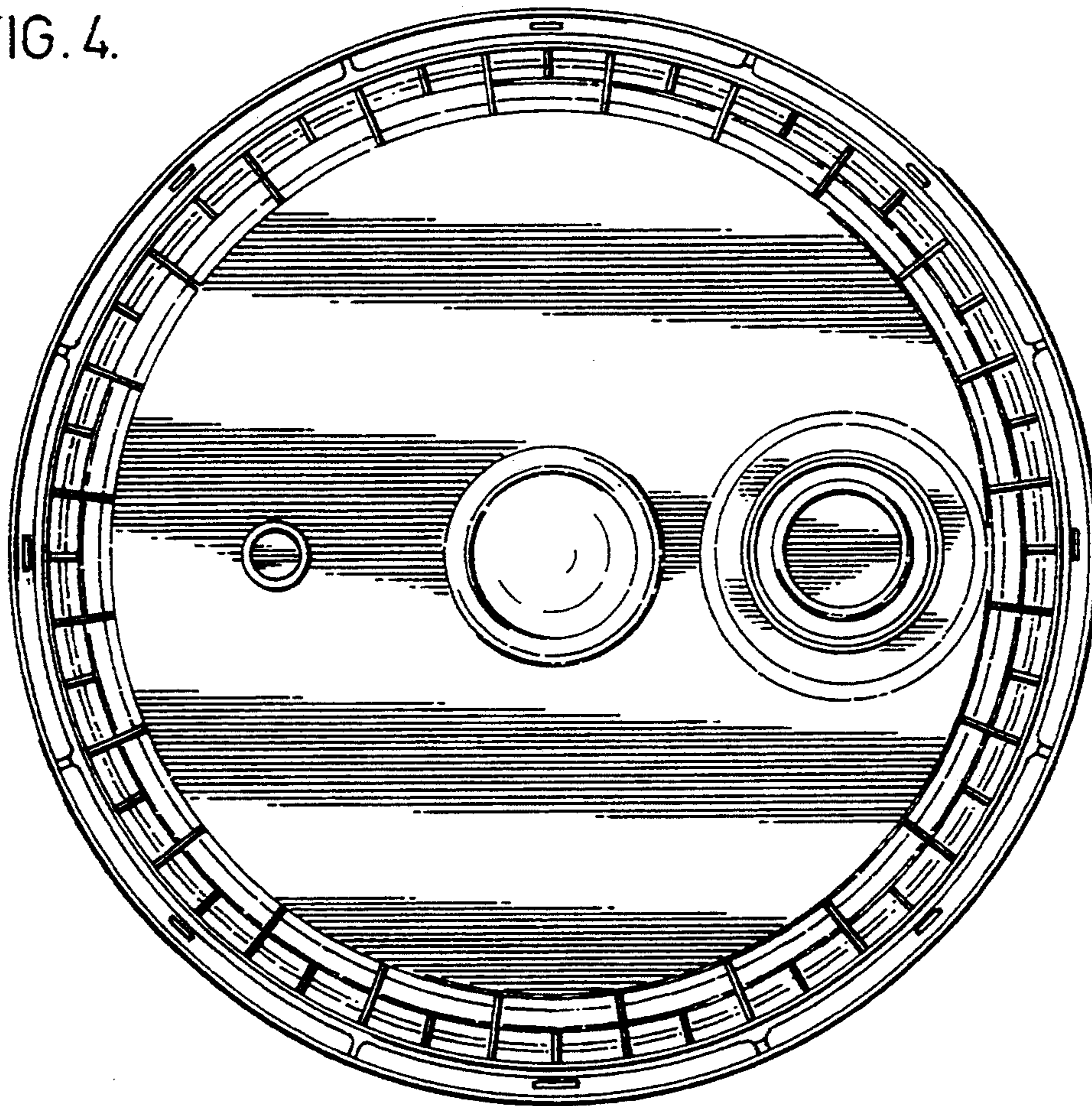


FIG. 5

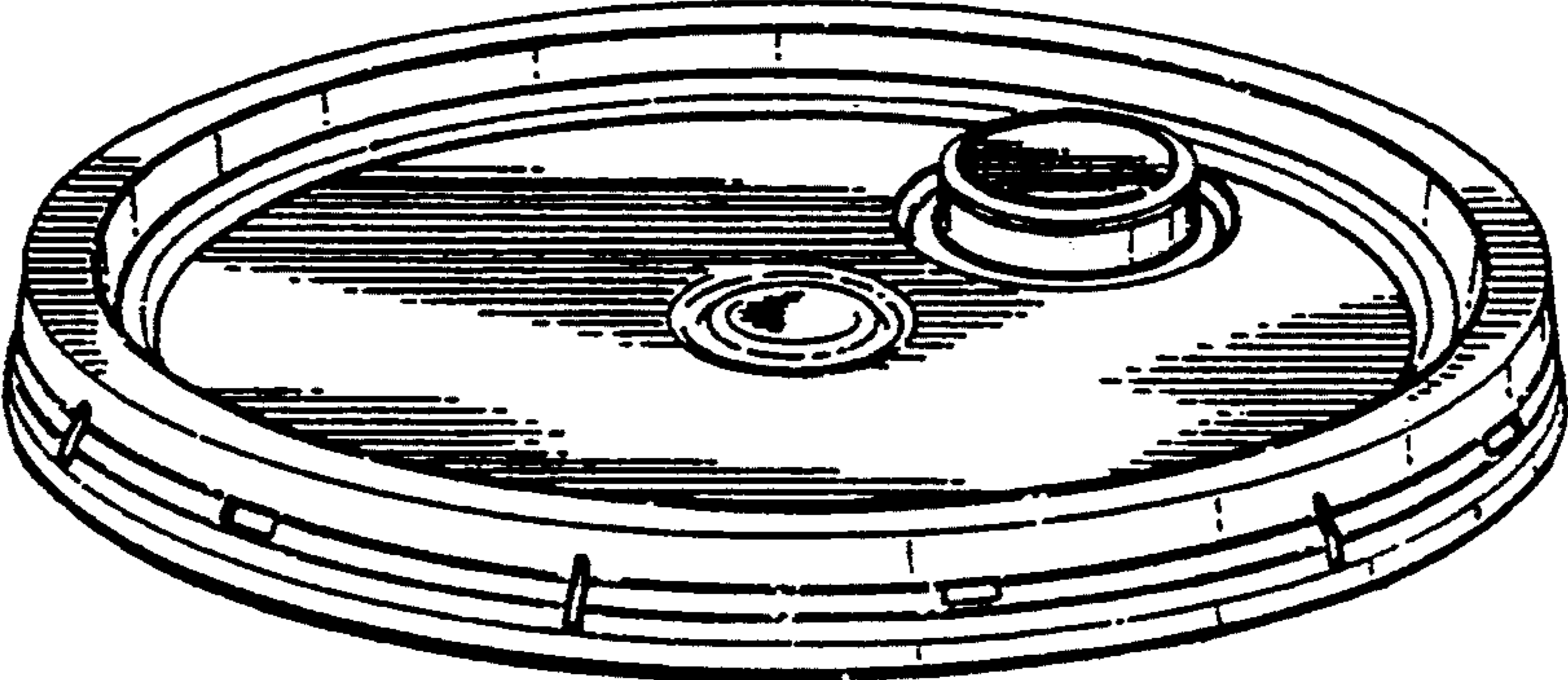


FIG. 6

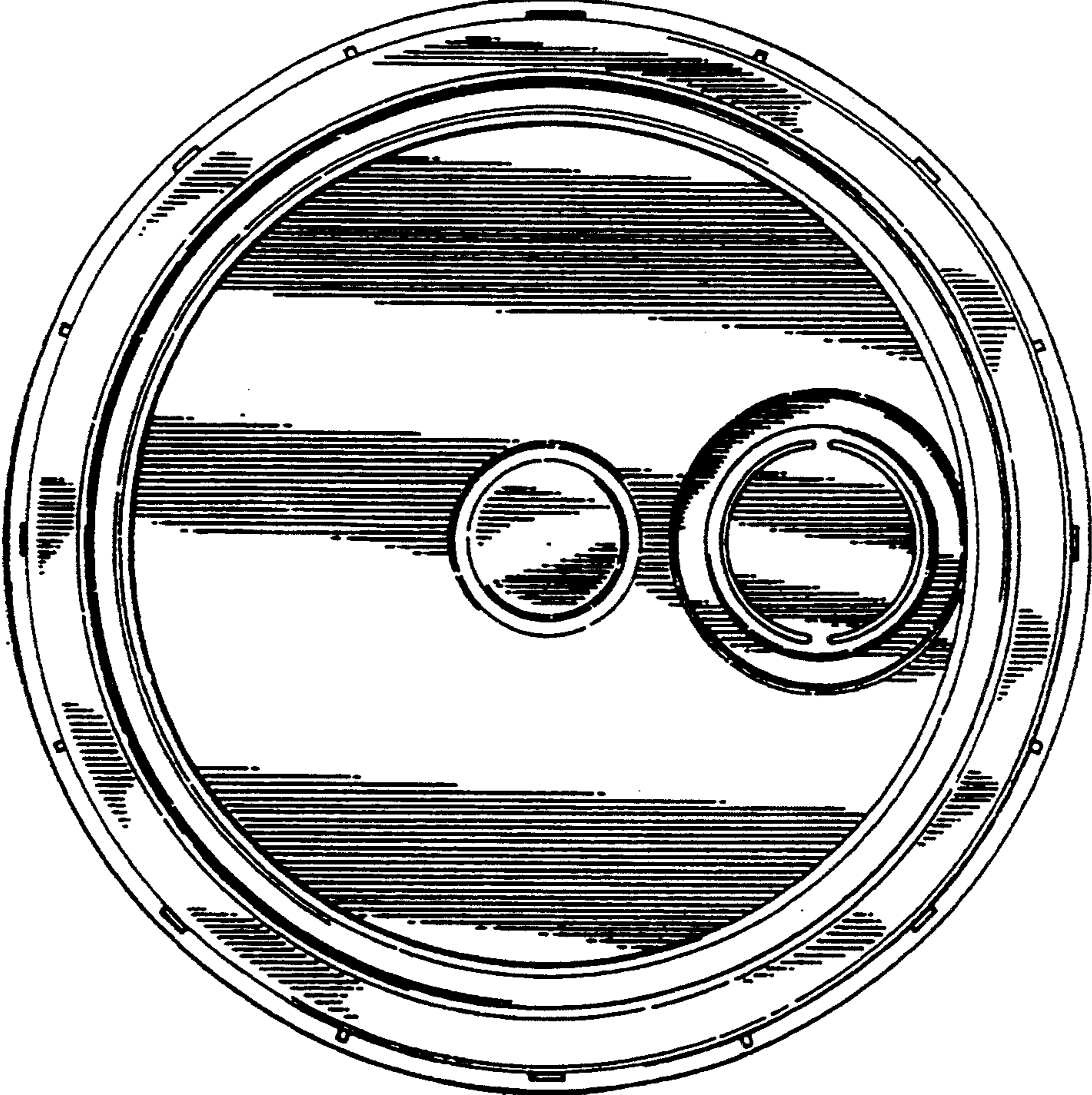


FIG. 7.

