



US00D359686S

United States Patent [19] Guth

[11] Patent Number: Des. 359,686
[45] Date of Patent: ** Jun. 27, 1995

[54] TETHERED CAULKING GAS PLUG
[76] Inventor: Albert Guth, 20 Mawal Dr., Cedar Grove, N.J. 07009
[**] Term: 14 Years
[21] Appl. No.: 12,126
[22] Filed: Aug. 23, 1993
[52] U.S. Cl. D9/439; D9/446
[58] Field of Search D8/70; D9/434-436, D9/439, 444, 446, 449-450, 452, 454; 215/296, 306, 364; 220/375

[56] **References Cited**
U.S. PATENT DOCUMENTS
D. 178,638 9/1956 Chakine D9/440
D. 201,610 7/1965 Symonds et al. D9/450
D. 278,888 5/1985 Plumb D9/449
D. 300,512 4/1989 Ahlberg D9/446

Primary Examiner—Alan P. Douglas
Assistant Examiner—R. Spear

Attorney, Agent, or Firm—Anthony F. Cuoco

[57] CLAIM

The ornamental design for a tethered caulking gun plug/tool, as shown and described.

DESCRIPTION

FIG. 1 is a first perspective view of a tethered caulking gun plug/tool showing my new design and showing the caulking gun and caulking tube in dotted lines for illustration purposes and to indicate that they show no part of the claimed design;
FIG. 2 is a second perspective view of my new design in an alternate position of use;
FIG. 3 is an elevational view of one side thereof;
FIG. 4 is an elevational view of the opposite side thereof;
FIG. 5 is a plan view of one side thereof;
FIG. 6 is a plan view of the opposite side thereof;
FIG. 7 is an elevational view of one end thereof; and,
FIG. 8 is an elevational view of the opposite end thereof.

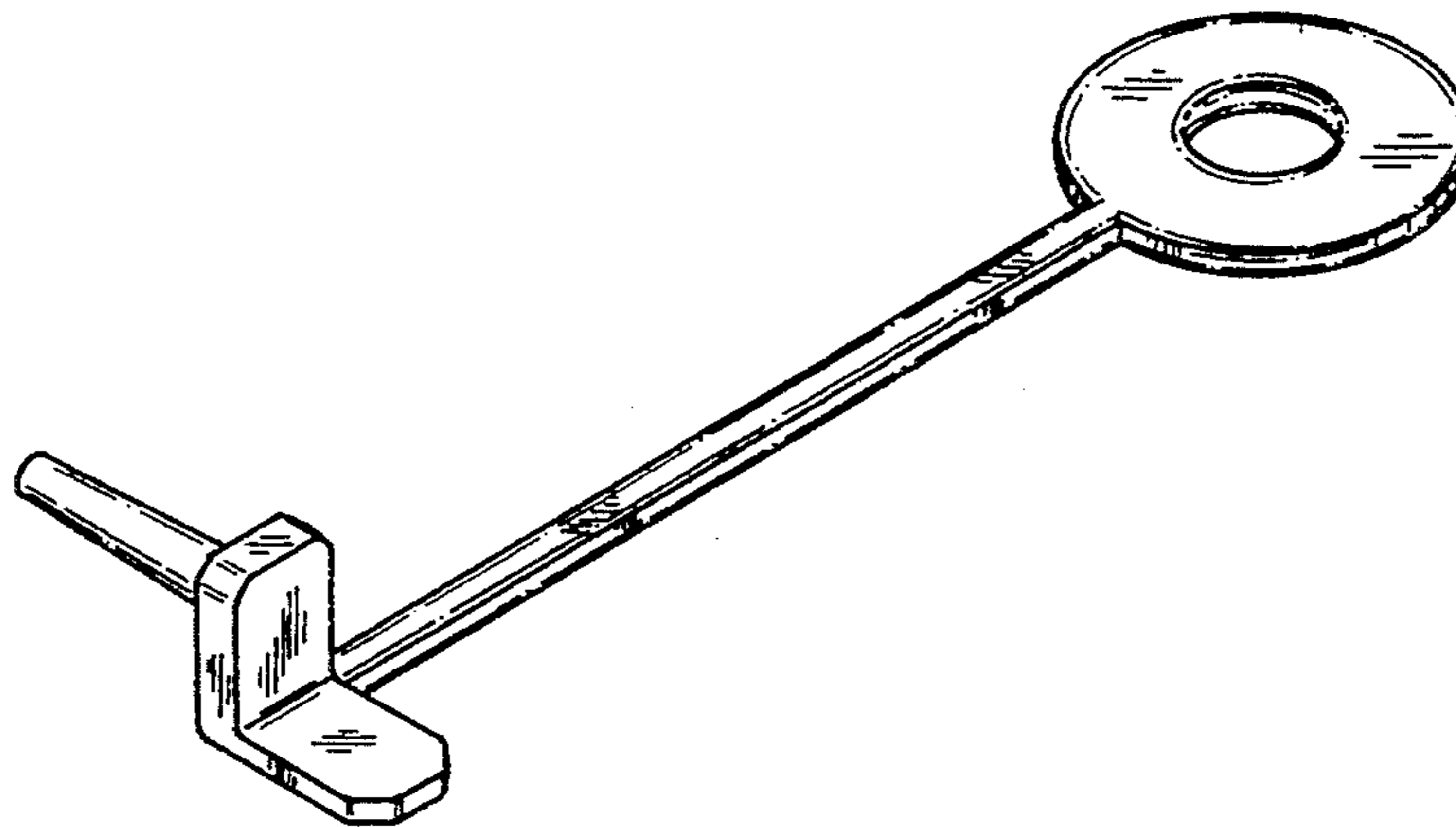


FIG. 1

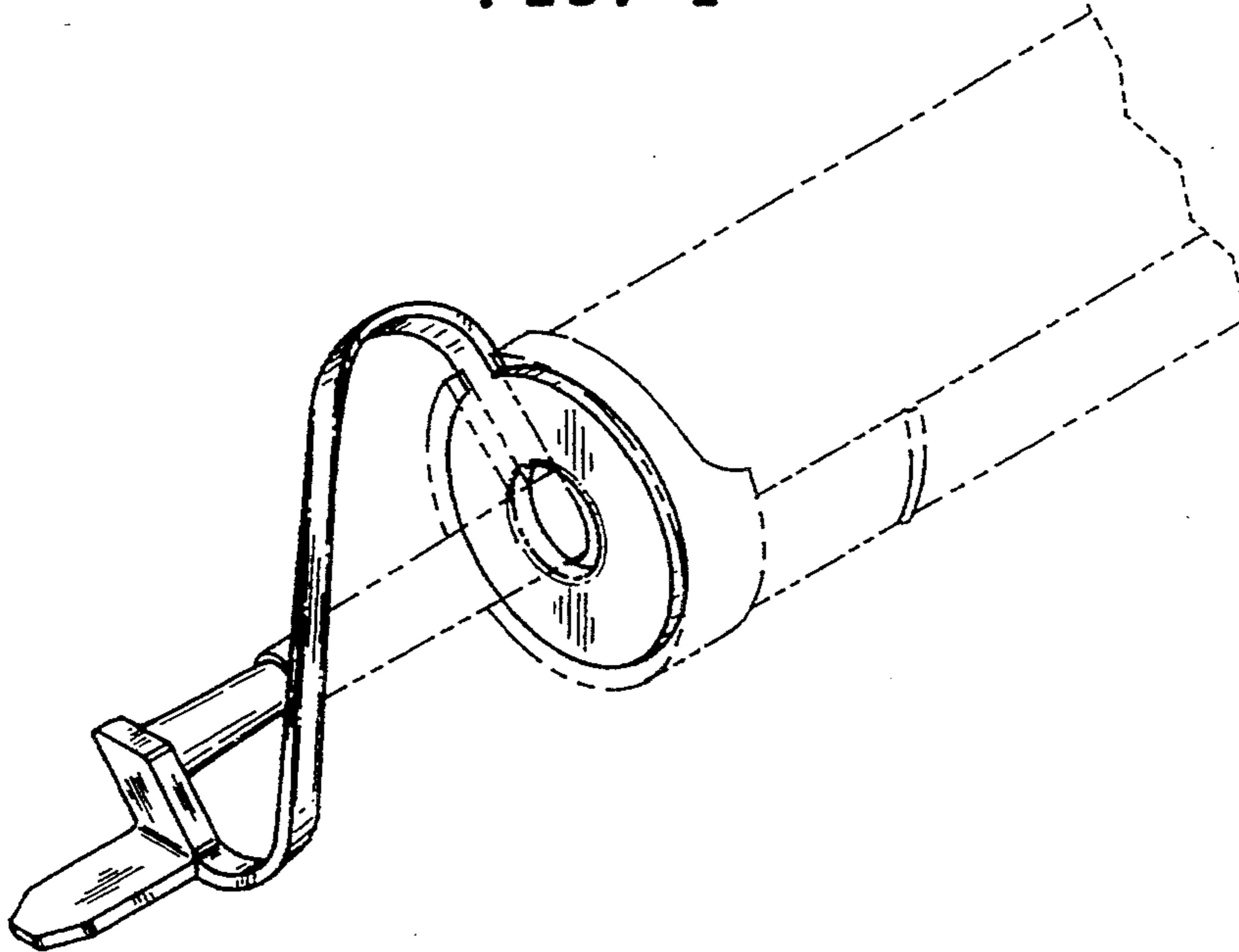


FIG. 2

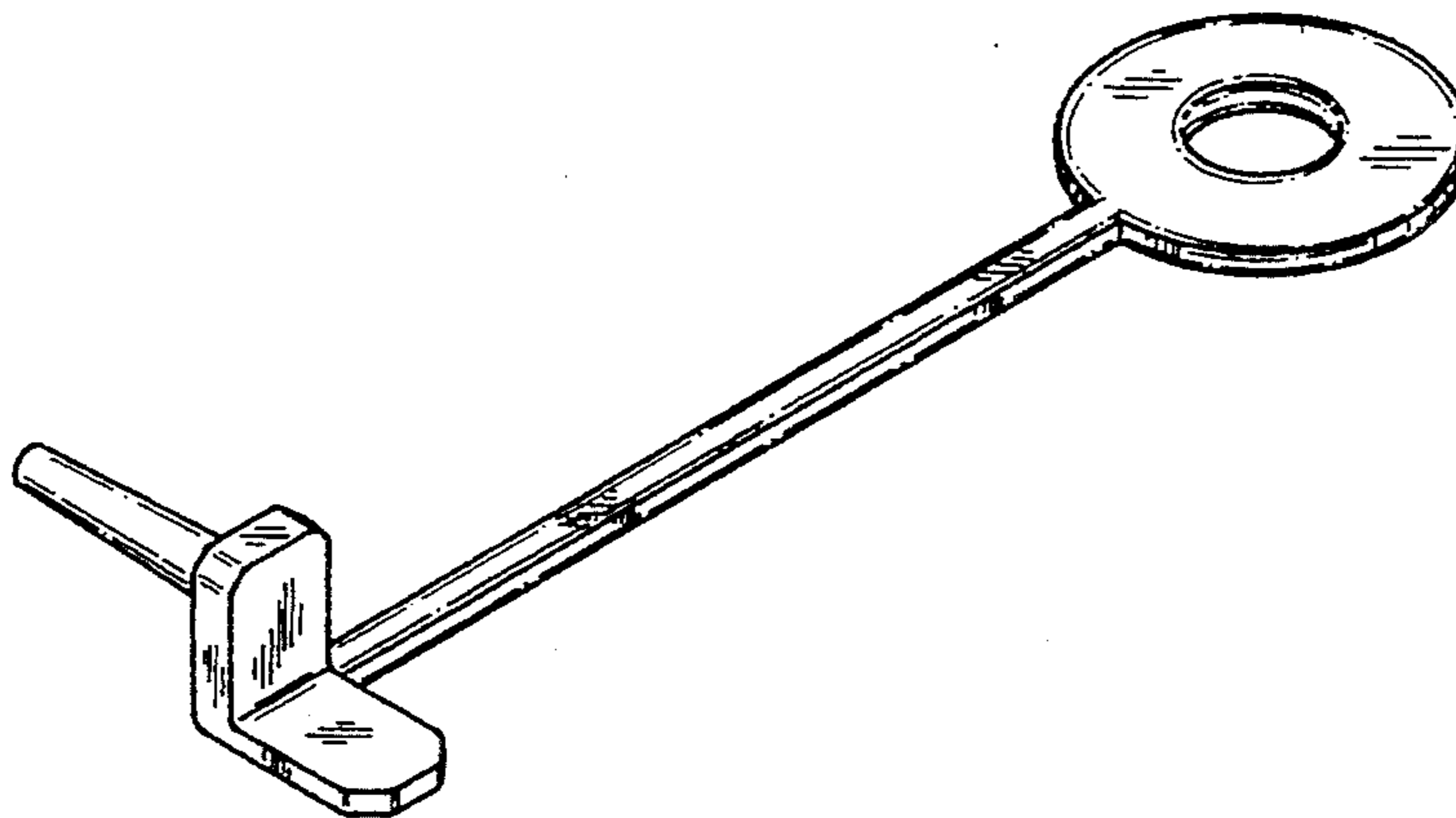


FIG. 3



FIG. 4

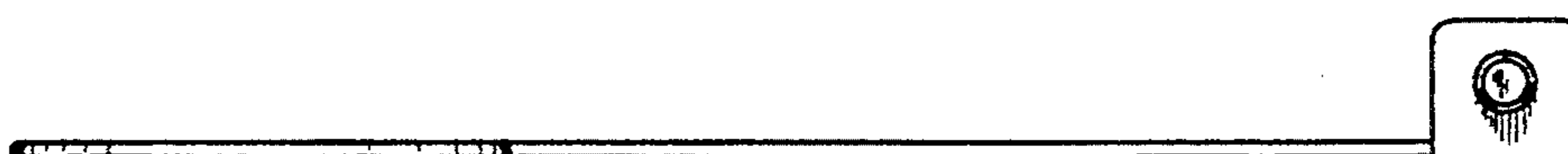


FIG. 5

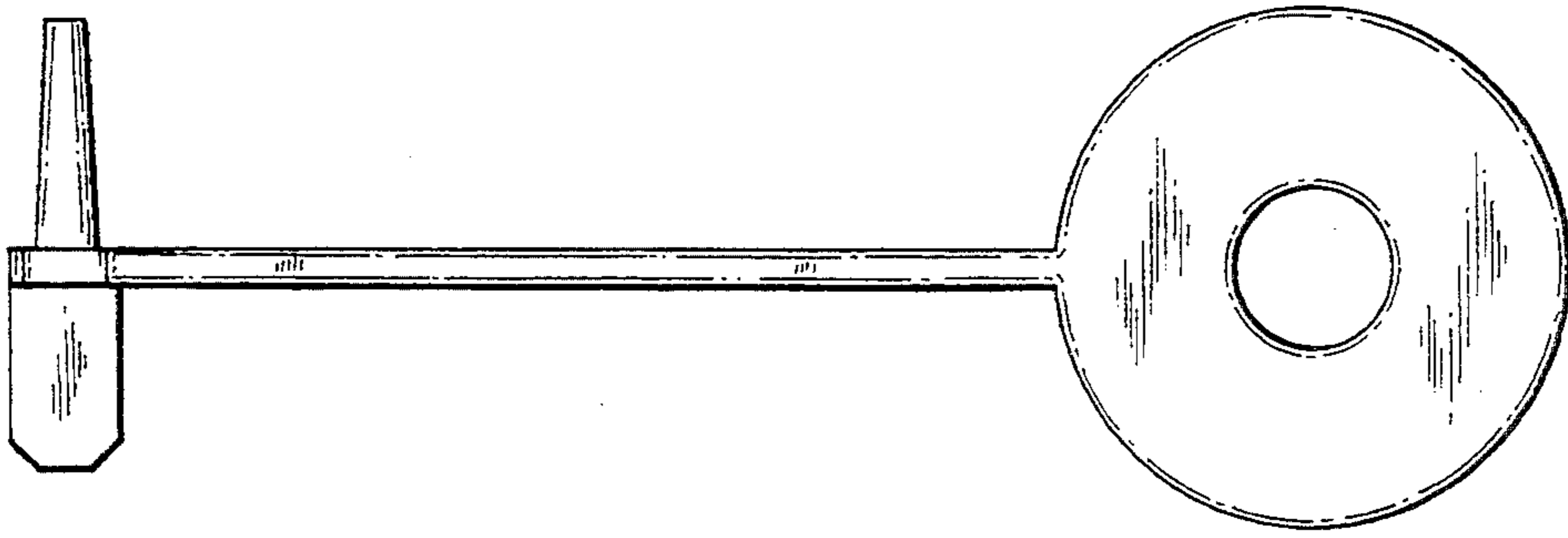


FIG. 6

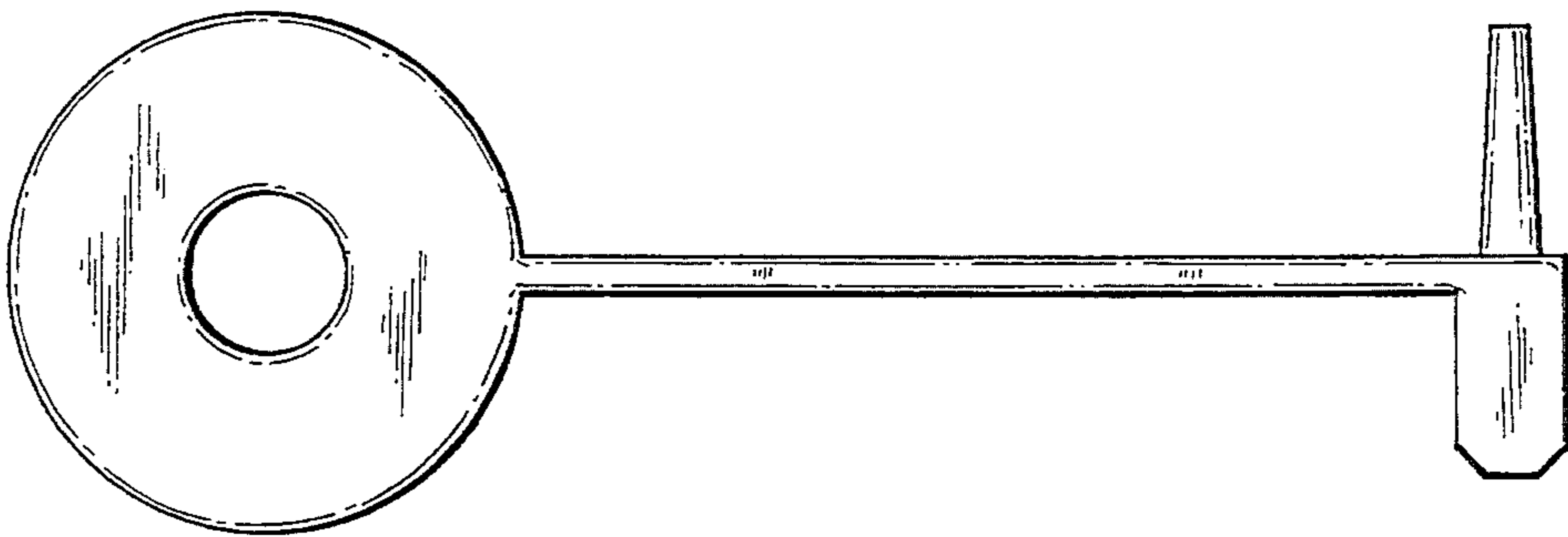


FIG. 7

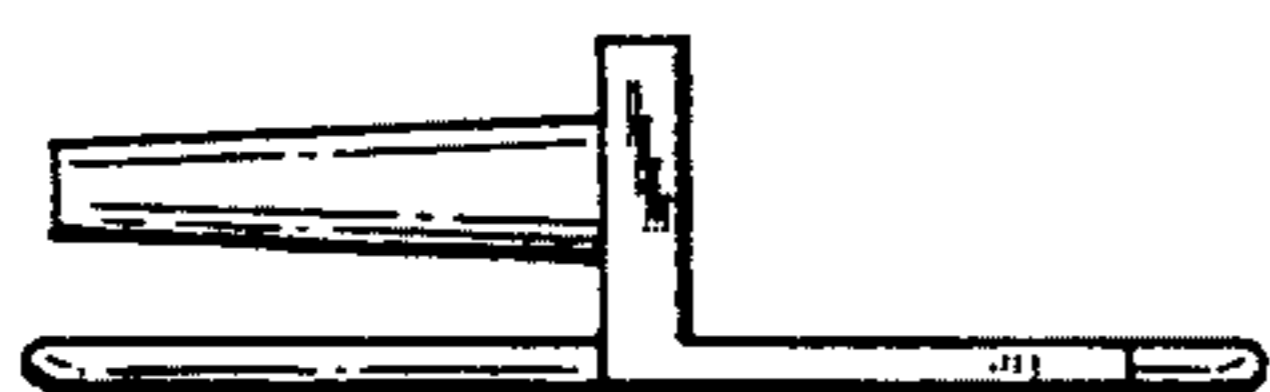
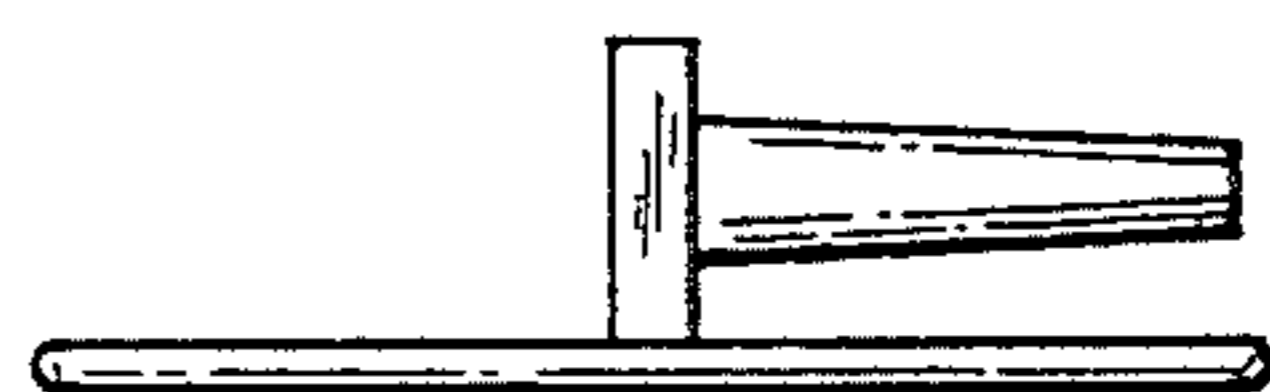


FIG. 8



UNITED STATES PATENT AND TRADEMARK OFFICE
CERTIFICATE OF CORRECTION

PATENT NO. : Des. 359,686

DATED : June 27, 1995

INVENTOR(S) :Albert Guth

It is certified that error appears in the above-identified patent and that said Letters Patent is hereby corrected as shown below:

On the title page, item [54] "TETHERED CAULKING GAS PLUG"
should read --TETHERED CAULKING GUN PLUG--.

Signed and Sealed this
Nineteenth Day of September, 1995

Attest:



BRUCE LEHMAN

Attesting Officer

Commissioner of Patents and Trademarks