



US00D359685S

United States Patent [19]

[11] Patent Number: **Des. 359,685**

Luch

[45] Date of Patent: **** Jun. 27, 1995**

- [54] CONTAINER CLOSURE
- [75] Inventor: **Daniel Luch**, Los Gatos, Calif.
- [73] Assignee: **Portola Packaging, Inc.**, San Jose, Calif.
- [**] Term: **14 Years**
- [21] Appl. No.: **784,060**
- [22] Filed: **Oct. 28, 1991**

3,013,687	12/1961	Gould	D9/438 X
3,130,056	4/1964	Taylor et al.	D9/438 X
3,374,921	3/1968	Kelley	D9/443 X
3,465,910	9/1969	Richie	D9/438 X
3,583,591	6/1971	Hayashida	D9/454 X
5,213,224	5/1993	Luch	215/256

OTHER PUBLICATIONS

“Artmold Caps” Ad, Armstrong’s Molded, Metal and Cork Closures Catalog, 1948, p. 14.

Primary Examiner—Alan P. Douglas
Assistant Examiner—R. Spear
Attorney, Agent, or Firm—Julian Caplan; Flehr, Hohbach, Albritton & Herbert

Related U.S. Application Data

- [63] Continuation-in-part of Ser. No. 565,638, Aug. 9, 1990, Pat. No. 5,190,178.
- [52] U.S. Cl. **D9/438; D9/453**
- [58] Field of Search **D9/434-440, D9/443, 445-446, 449, 451-454, 499; 215/1 R, 200-201, 228, 256-257, 316-317; 220/269-70, 276, 376**

CLAIM

[57] The ornamental design for a container closure, as shown and described.

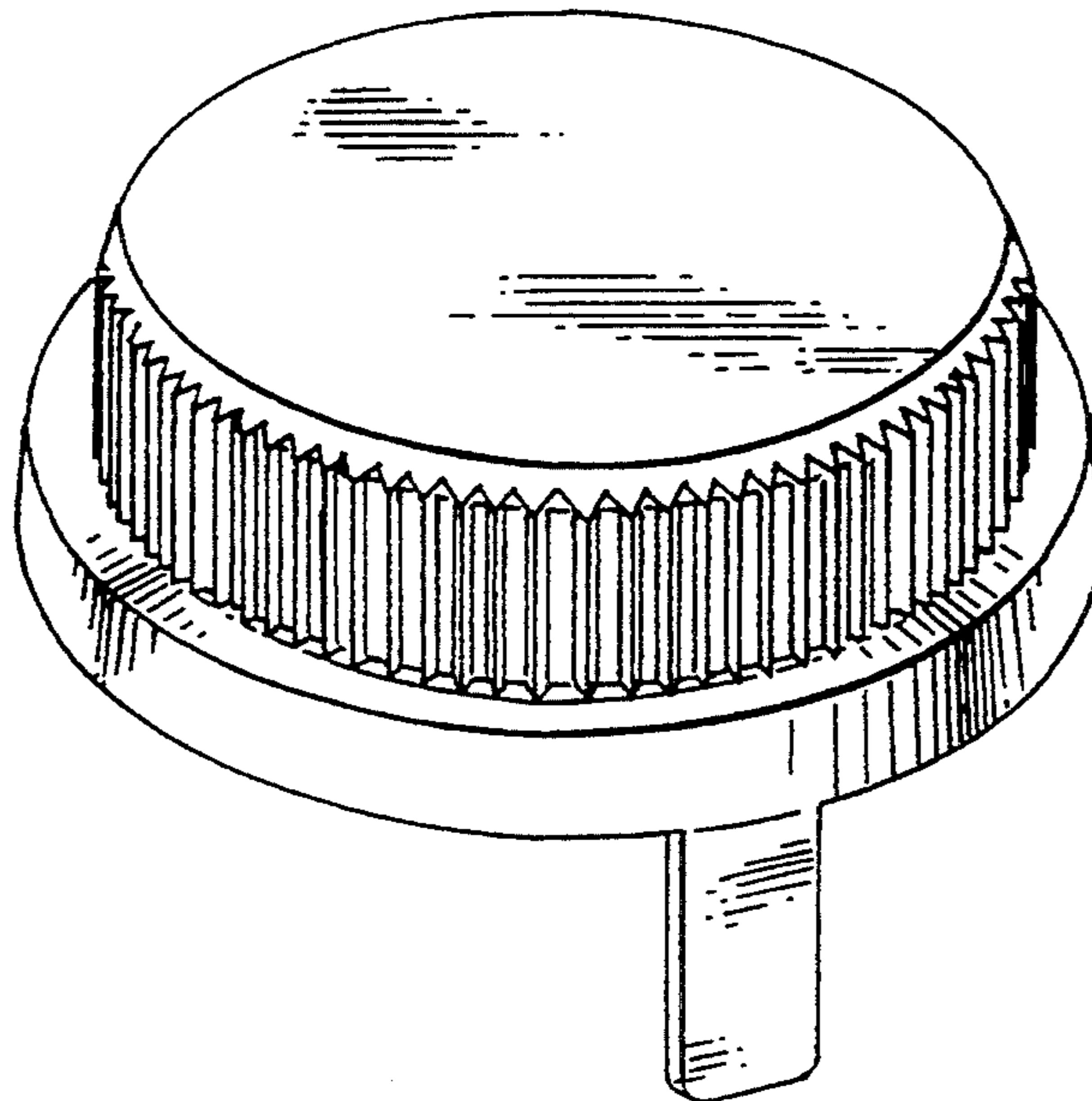
DESCRIPTION

FIG. 1 is a perspective view of a container closure showing my new design;
 FIG. 2 is a left side elevational view thereof, the right side elevational view being a mirror image thereof;
 FIG. 3 is a front elevational view thereof;
 FIG. 4 is a bottom plan view thereof; and,
 FIG. 5 is a vertical mid-sectional view taken along line 5—5 of FIG. 4.

References Cited

U.S. PATENT DOCUMENTS

D. 192,539	4/1962	Terwilliger	D9/438
D. 198,874	8/1964	Joosten	D9/443
D. 228,885	10/1973	Feldman	D9/451
D. 284,837	7/1986	Nilsson	D9/438 X
D. 286,019	10/1986	Fishman et al.	D9/449 X
D. 304,424	11/1989	Dawson	D9/453



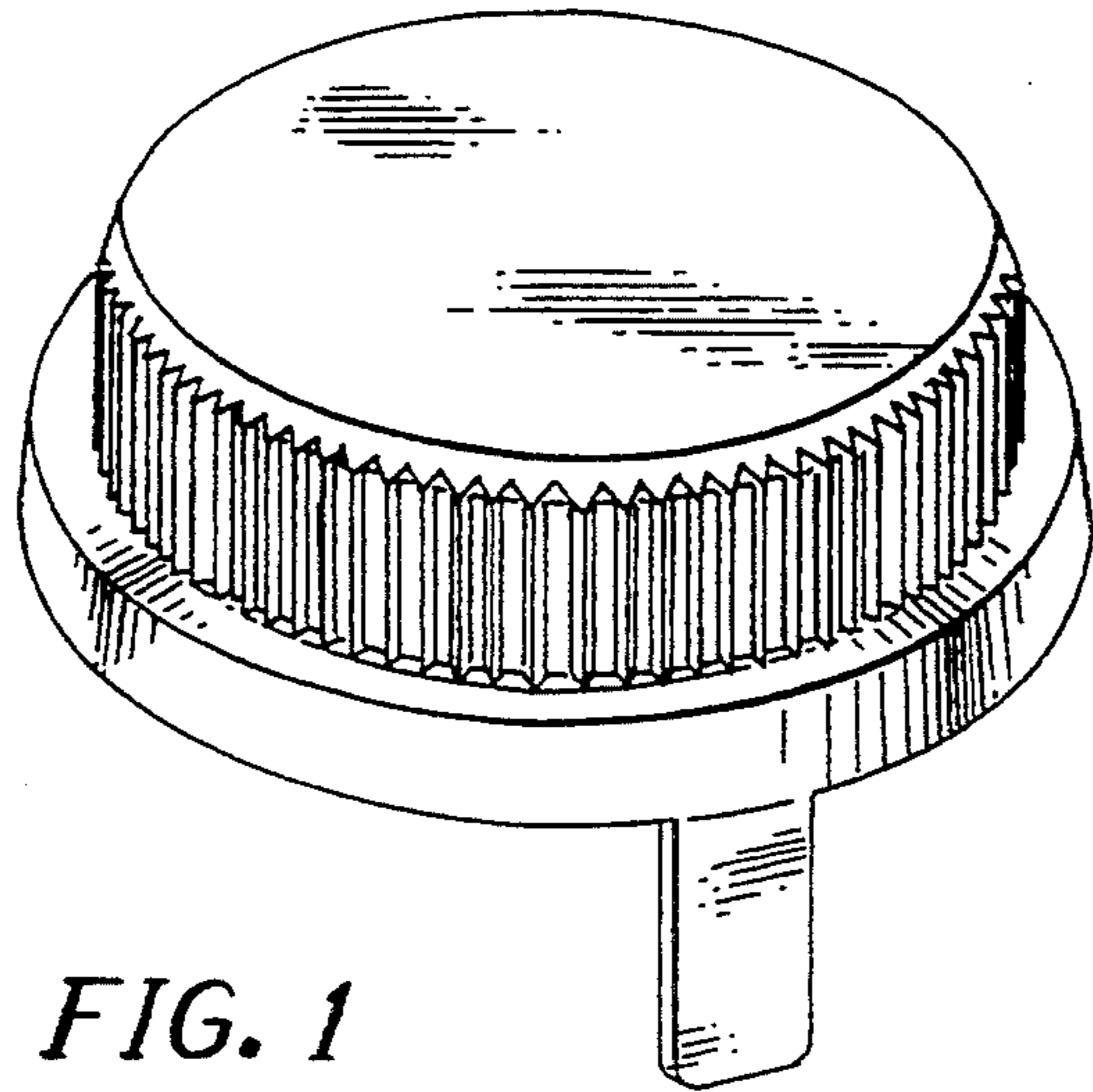


FIG. 1

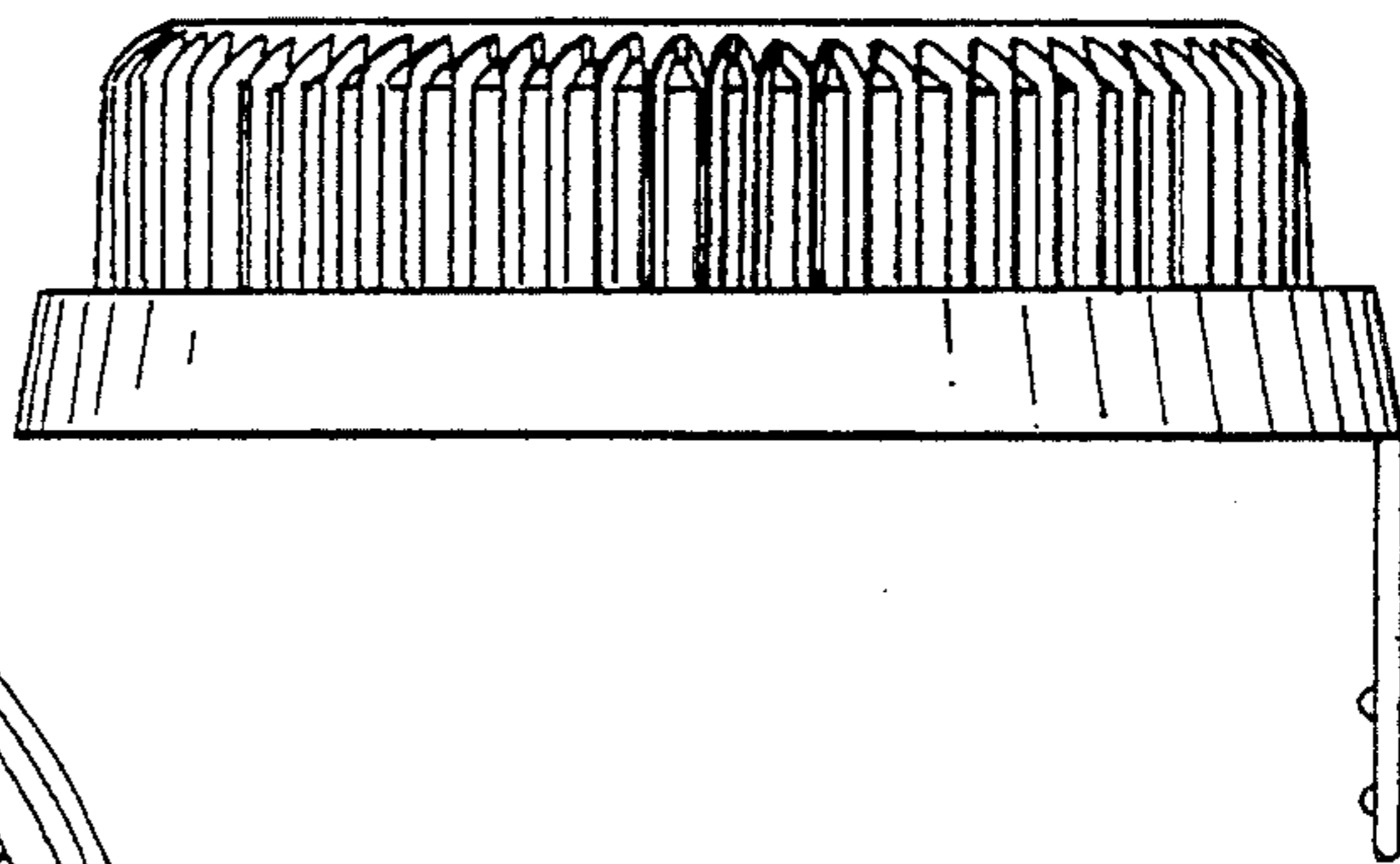


FIG. 2

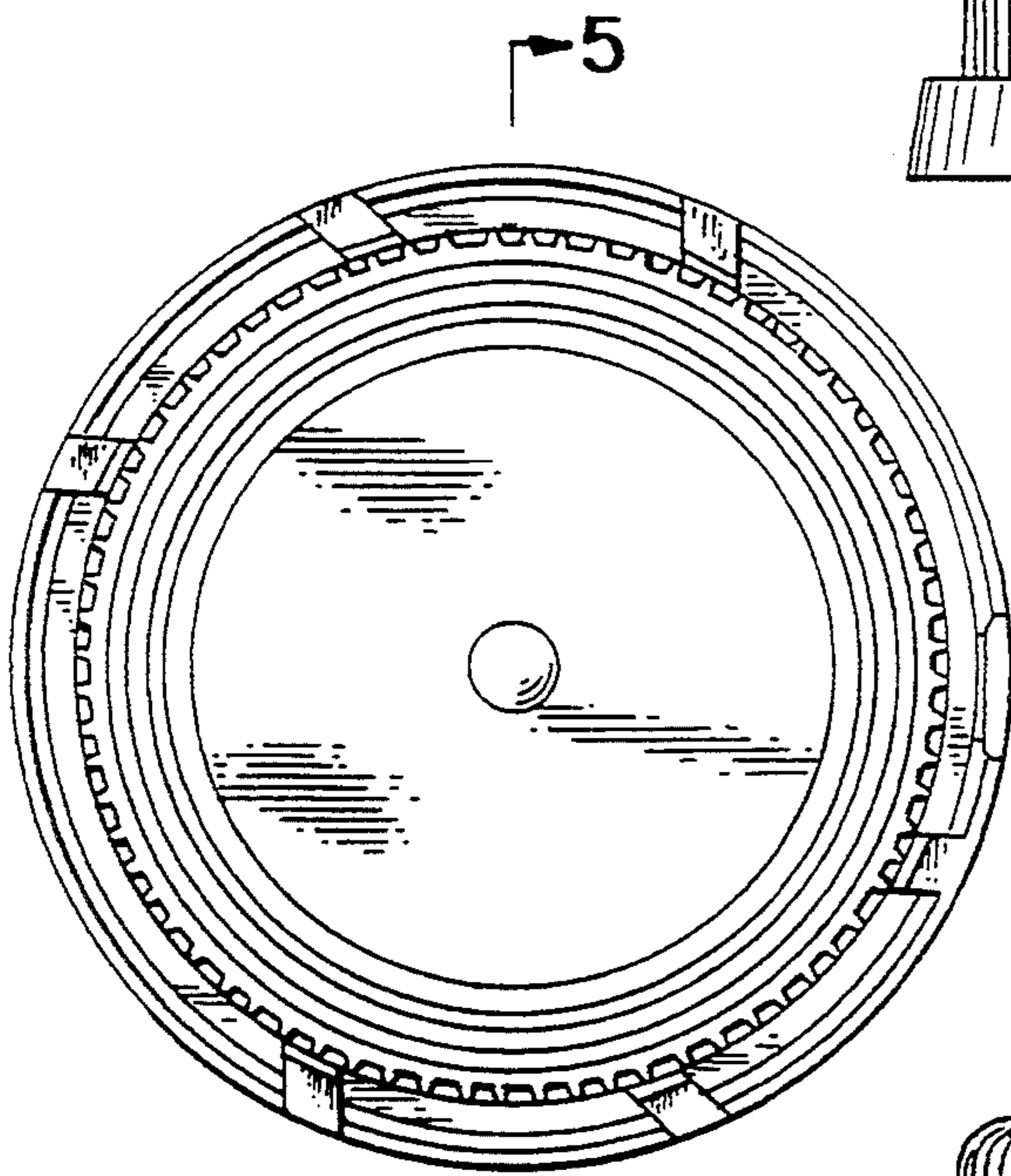


FIG. 4

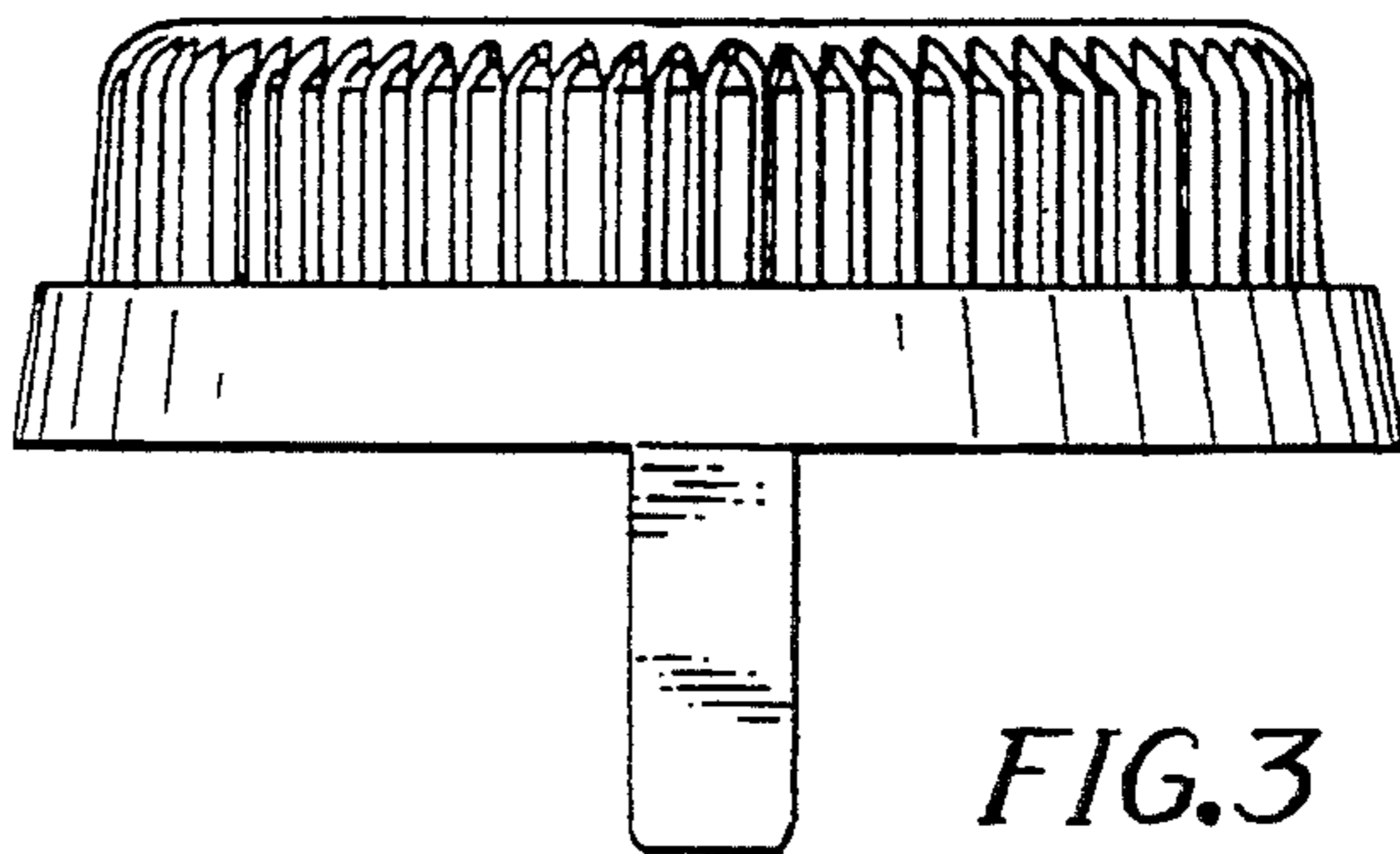


FIG. 3

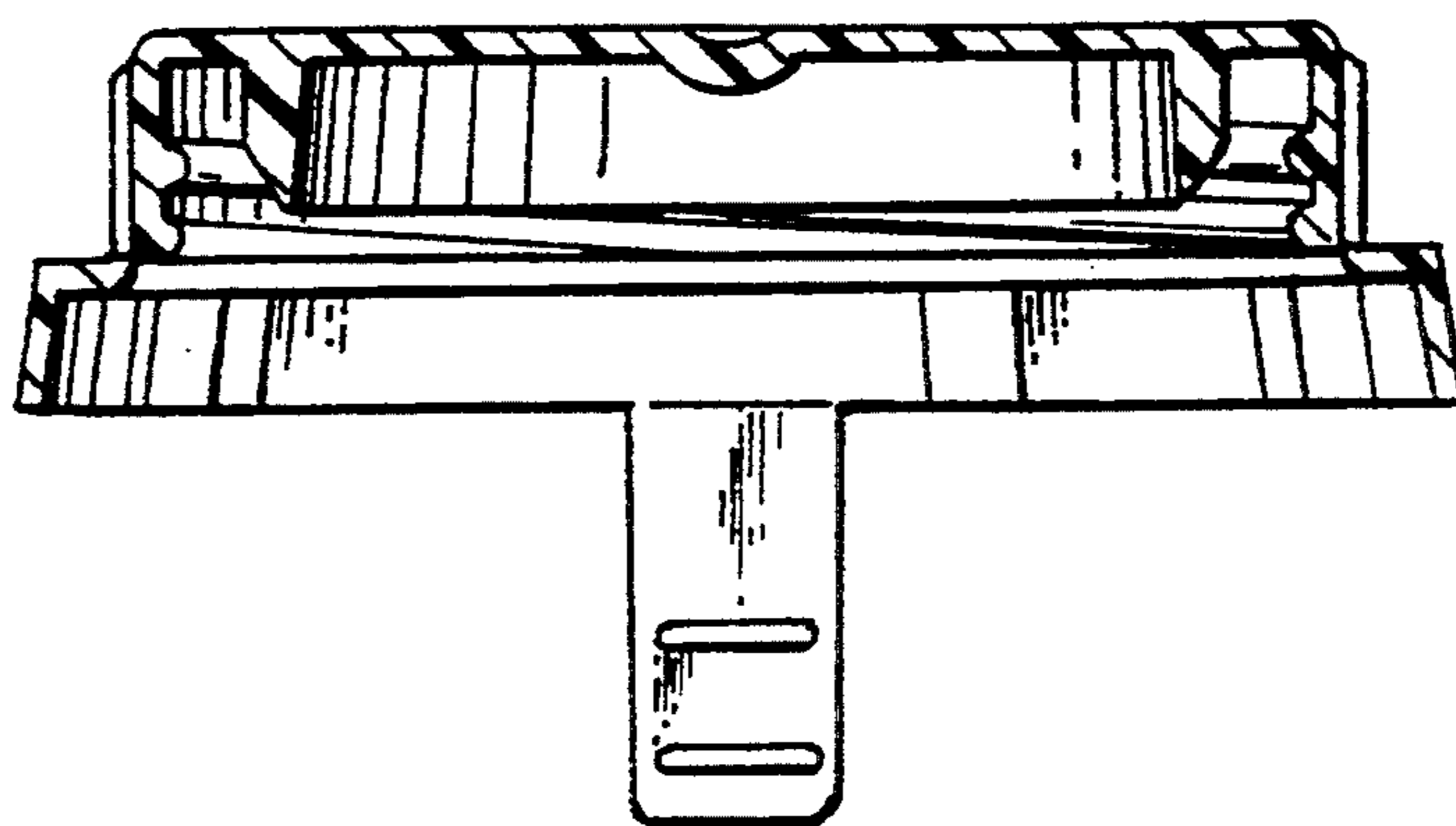


FIG. 5