



US00D359684S

# United States Patent [19]

[11] Patent Number: **Des. 359,684**

**Duggan et al.**

[45] Date of Patent: **\*\* Jun. 27, 1995**

- [54] **CONTAINER CLOSURE WITH TUBING EXTENDING THEREFROM**
- [75] Inventors: **Brendan J. Duggan; Bernard E. Ryan,** both of Sligo, Ireland
- [73] Assignee: **Abbott Laboratories,** Abbott Park, Ill.
- [\*\*] Term: **14 Years**
- [21] Appl. No.: **20,168**
- [22] Filed: **Mar. 17, 1994**
- [52] U.S. Cl. .... **D9/436**
- [58] Field of Search ..... **D7/300.2; D9/434-436, D9/439-440, 444-445, 447, 449-450; D10/96-97, 103; D24/108, 112, 117; 215/228-229; 220/212, 306, 705, 707-709; 222/153, 204, 630-632, 635; 229/906.1; 239/33**

[56] **References Cited**

**U.S. PATENT DOCUMENTS**

D. 137,297	2/1944	Ruther .....	D9/447
D. 204,103	3/1966	Lydon .....	D9/447
D. 245,120	7/1977	Katerndahl .....	D24/117
D. 247,350	2/1978	Witt .....	D9/440
D. 256,721	9/1980	Boller et al. ....	D9/439
D. 300,909	5/1989	Thornburg et al. ....	D10/103
D. 310,722	9/1990	Brodén .....	D24/112
D. 339,194	9/1993	Telang et al. ....	D24/108

**OTHER PUBLICATIONS**

Sales brochure entitled **FLEXIFLO®** Enteral Feed-

ing System, Ross Products Division of Abbott Laboratories, Jul. 1994, p. 2, 2nd row up from bottom, Item #50602 "FLEXIFLO Quantum Enteral Pump Set", p. 4 2nd line down from top, item #77, FLEXIFLO III Enteral Pump Set Admitted Prior Art. Sales brochure entitled "Cuidados de Enfermeria III", from Abbott Laboratories, S.A., dated 1990, photograph showing a variety of enteral feeding sets including those shown more clearly in 1994 publication.

*Primary Examiner*—Alan P. Douglas

*Assistant Examiner*—R. Spear

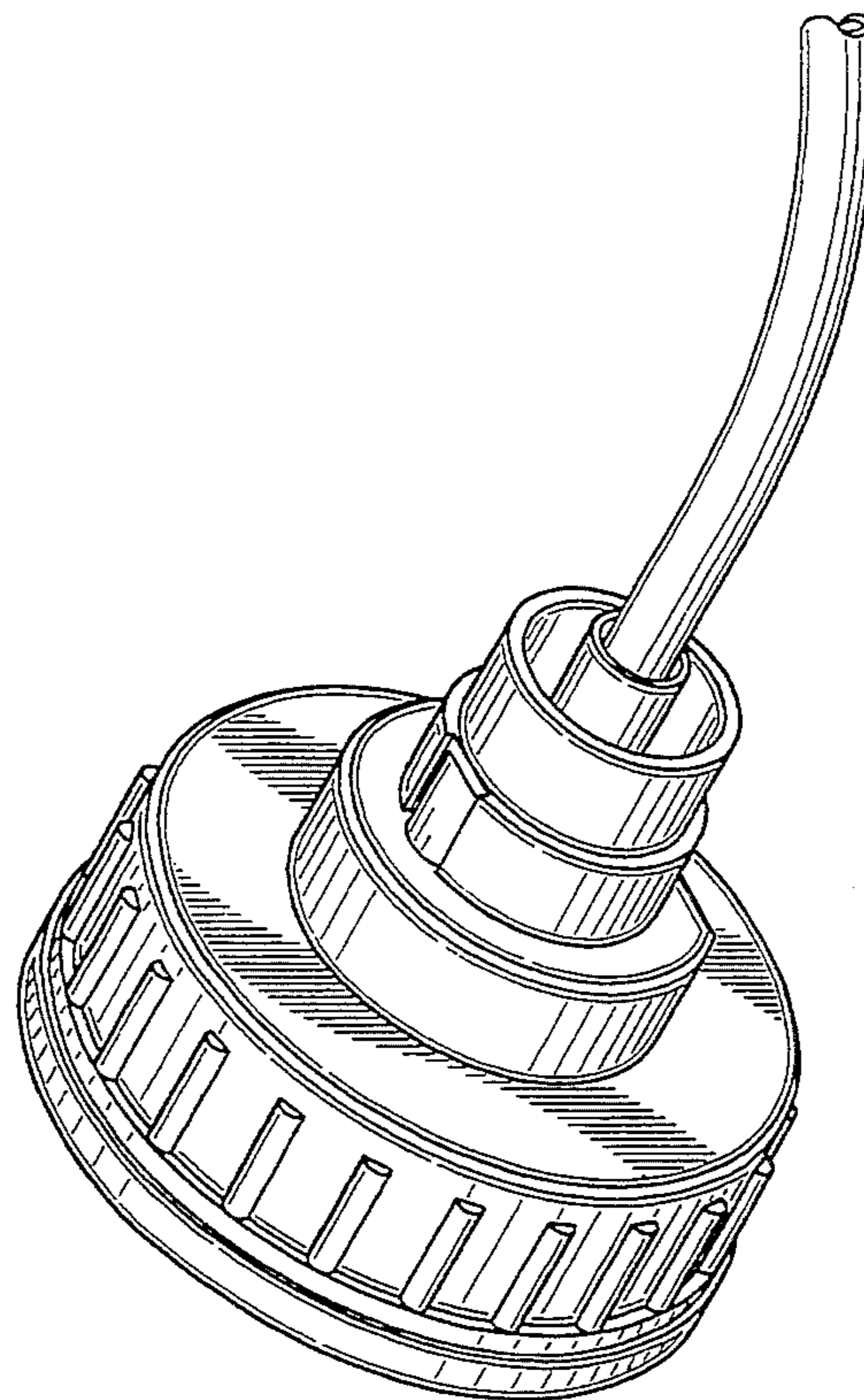
*Attorney, Agent, or Firm*—Lonnie R. Drayer; Donald O. Nickey

[57] **CLAIM**

The ornamental design for a container closure with tubing extending therefrom, as shown and described.

**DESCRIPTION**

FIG. 1 is a first perspective view of a container closure with tubing extending therefrom showing our new design; FIG. 2 is a second perspective view thereof; FIG. 3 is a front elevation thereof; FIG. 4 is a left elevation view thereof; FIG. 5 is a right elevation view thereof; FIG. 6 is a rear elevation view thereof; FIG. 7 is a top view thereof; and, FIG. 8 is a bottom view thereof.



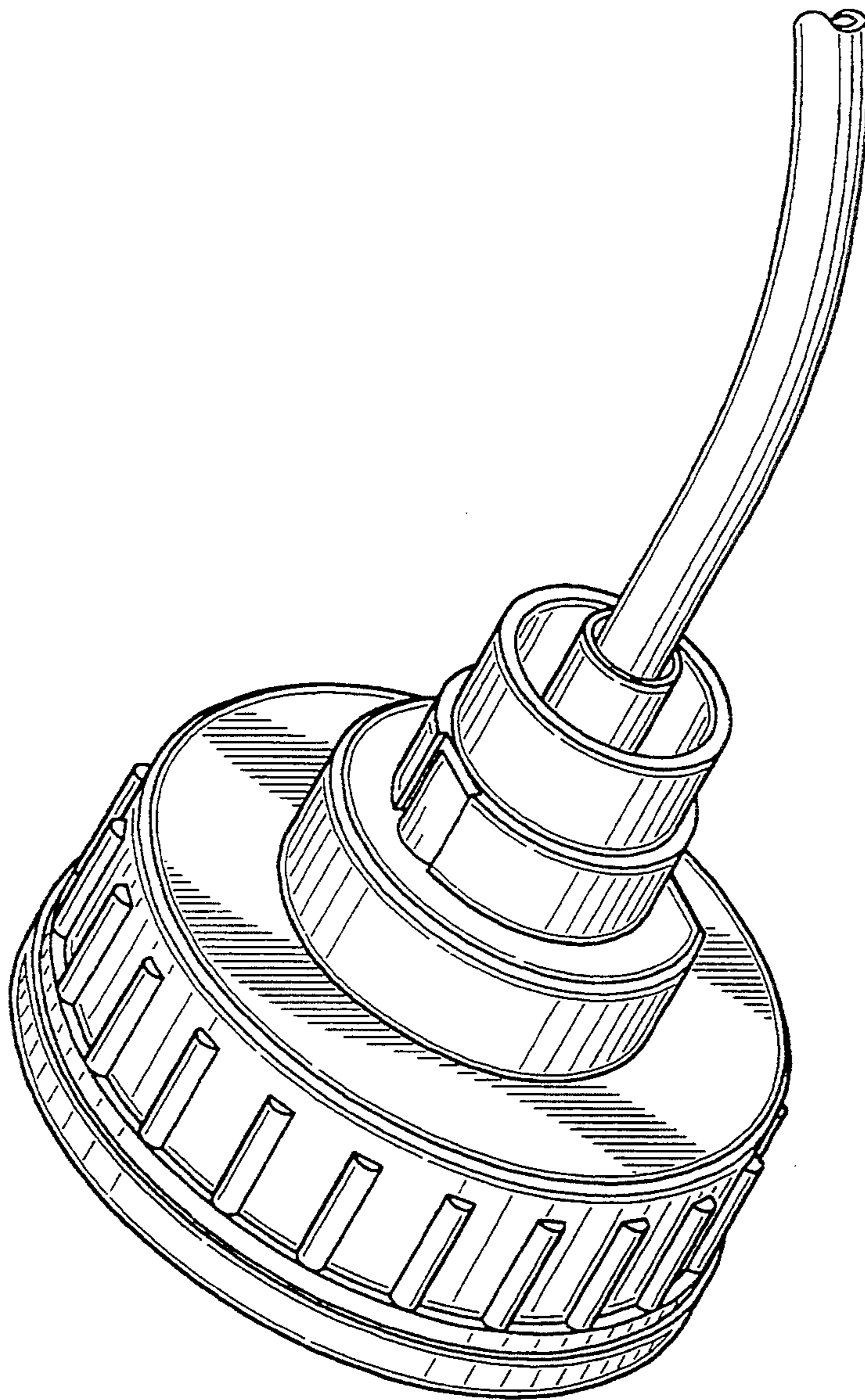


FIG-1

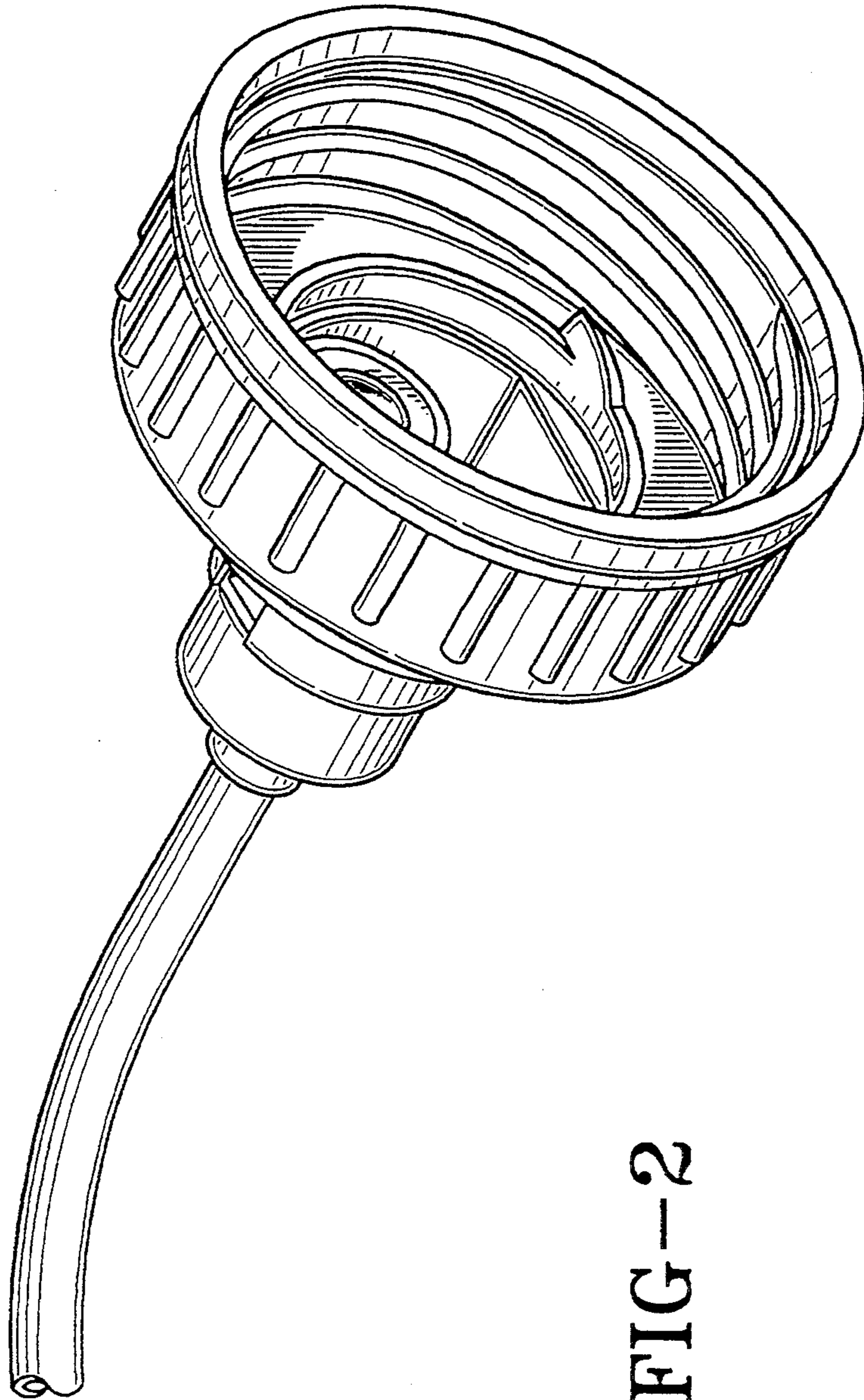


FIG-2

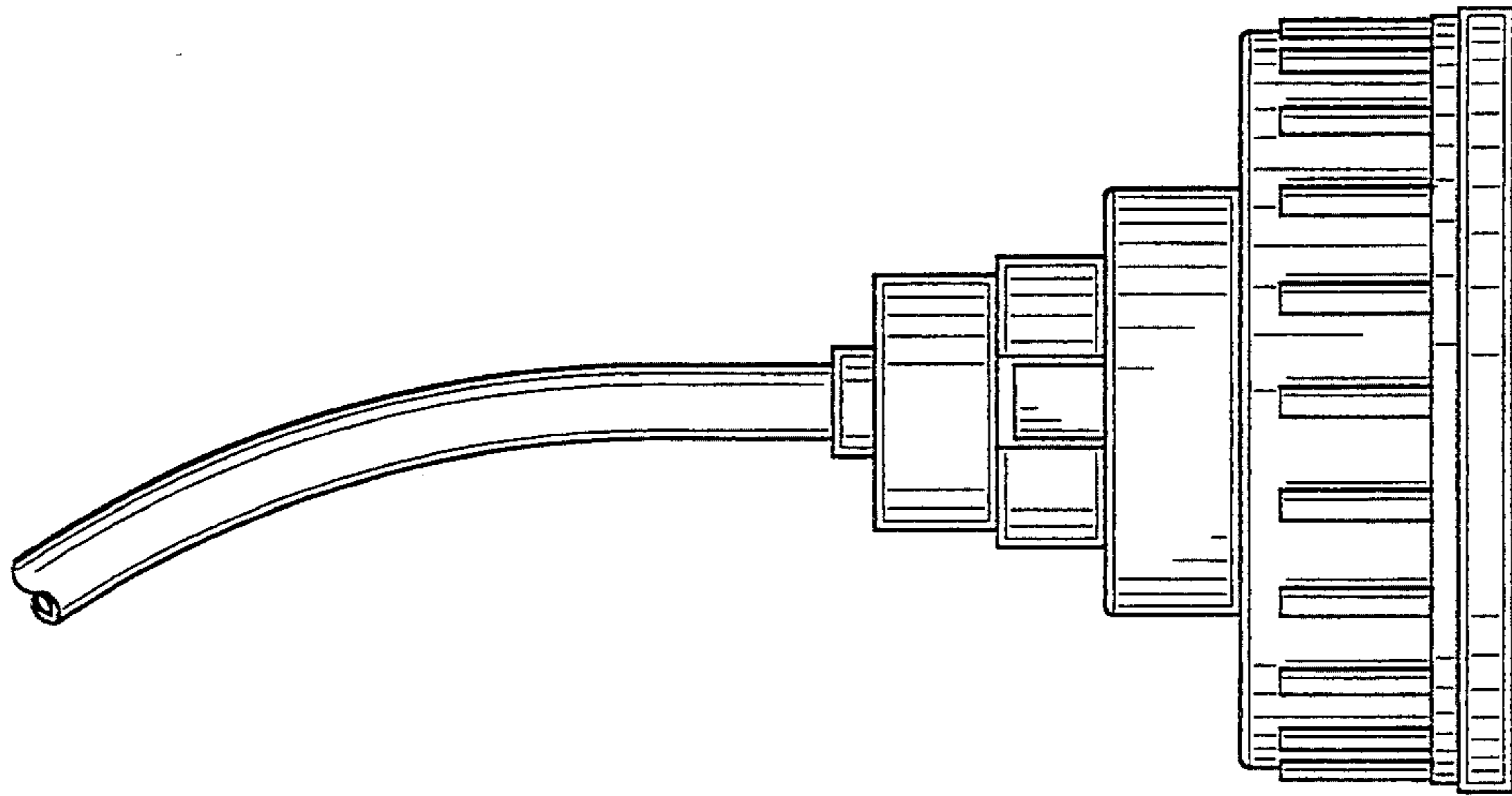


FIG-5

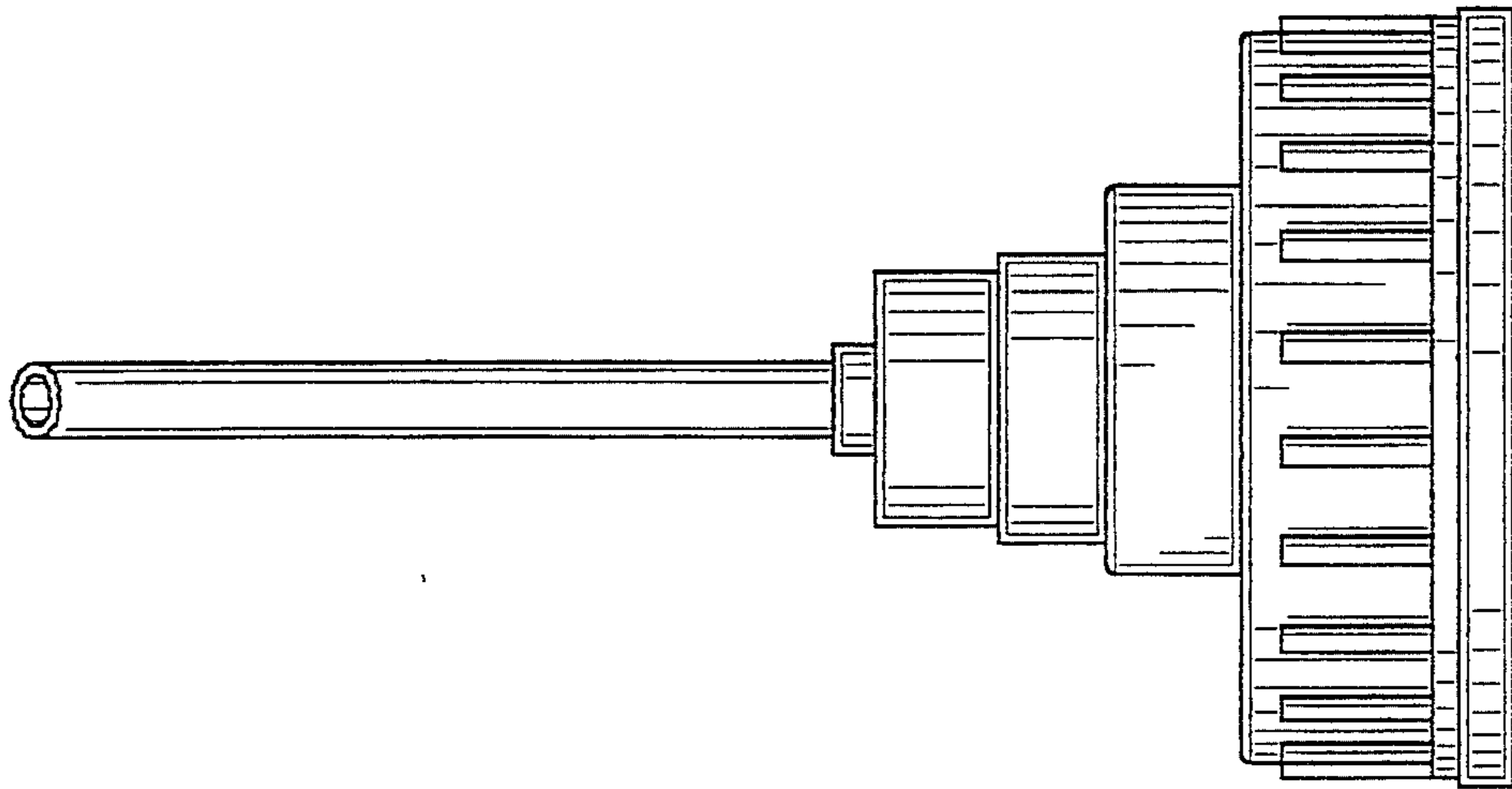


FIG-4

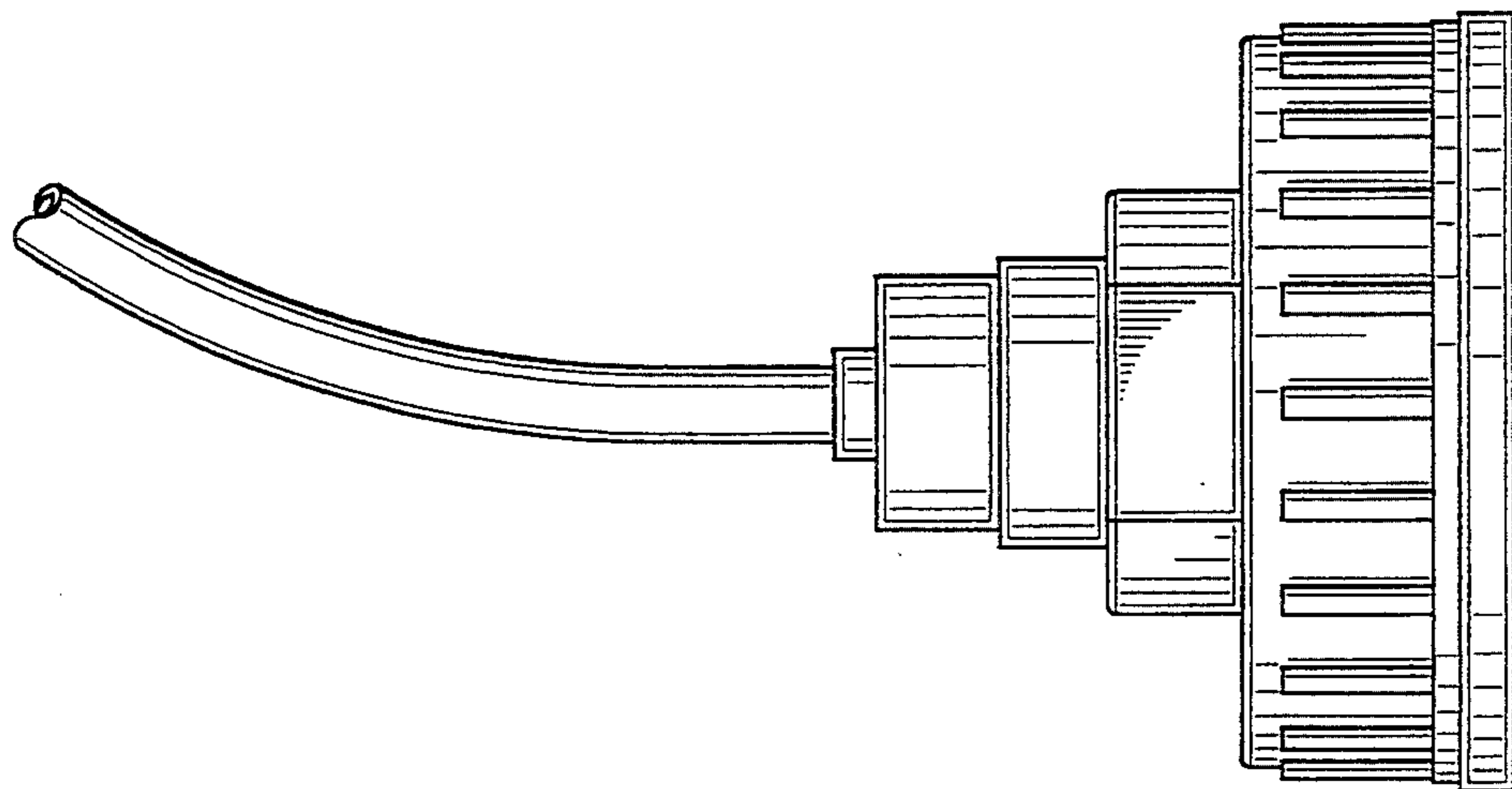


FIG-3

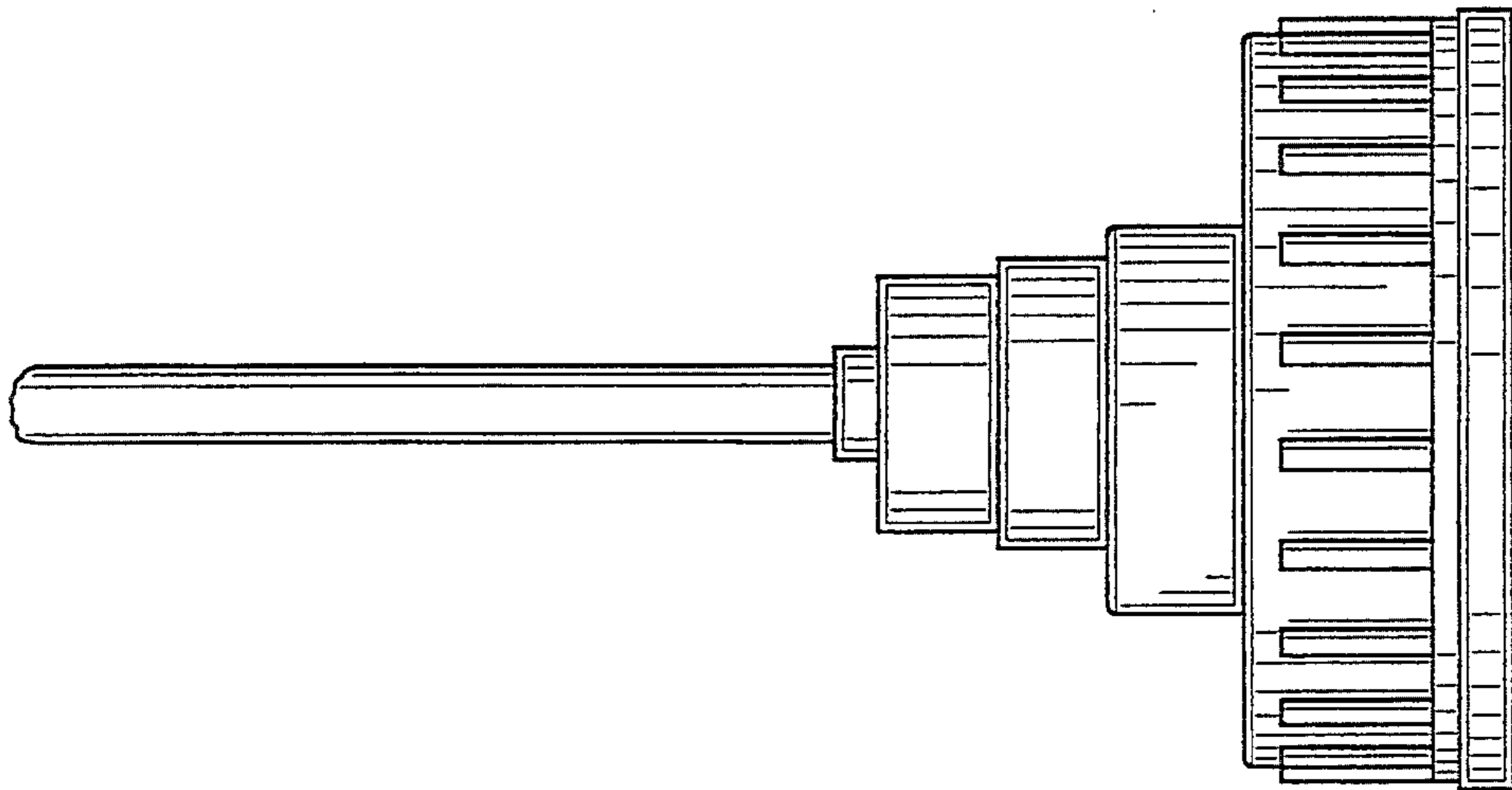


FIG-6

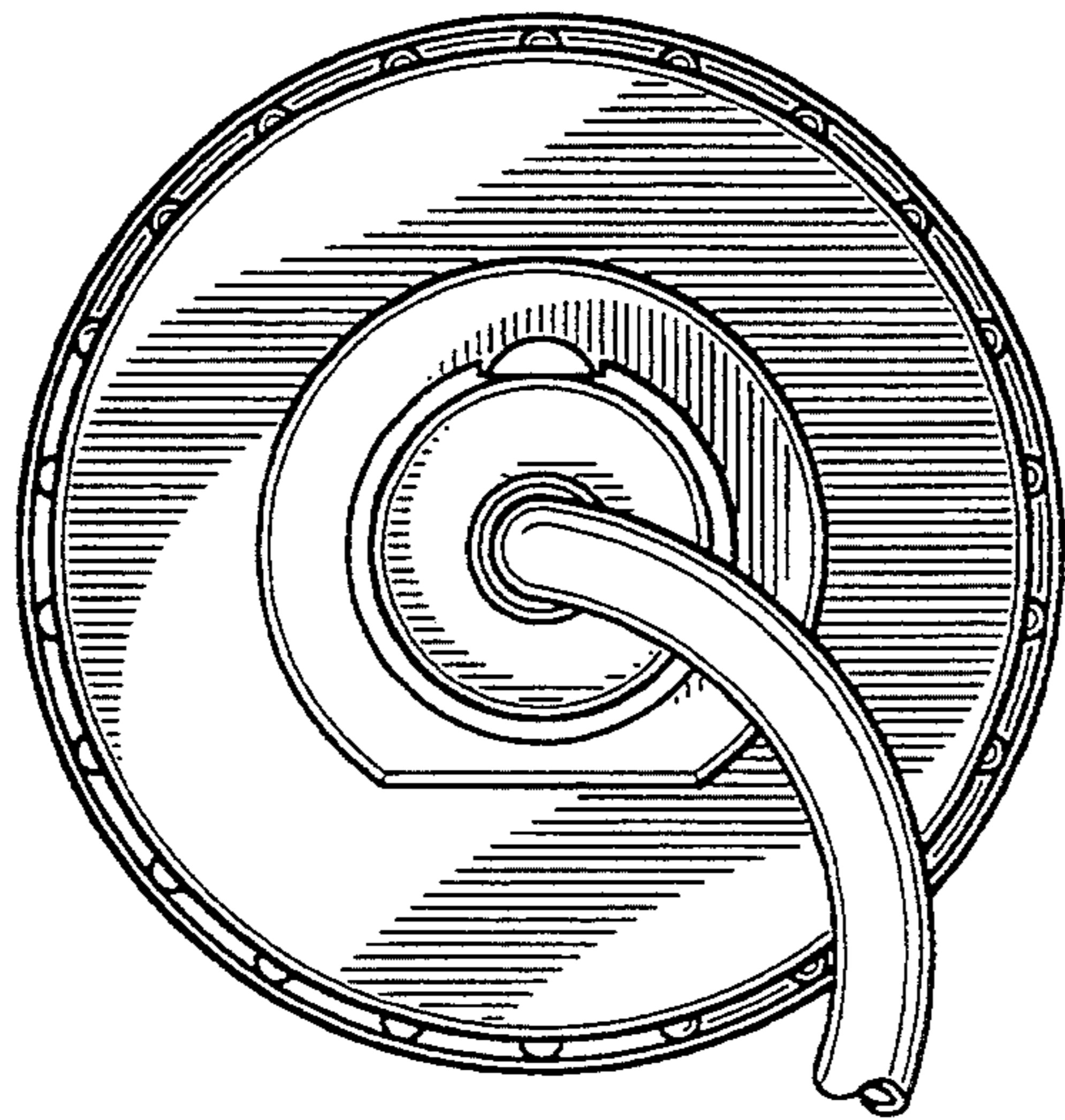


FIG-7

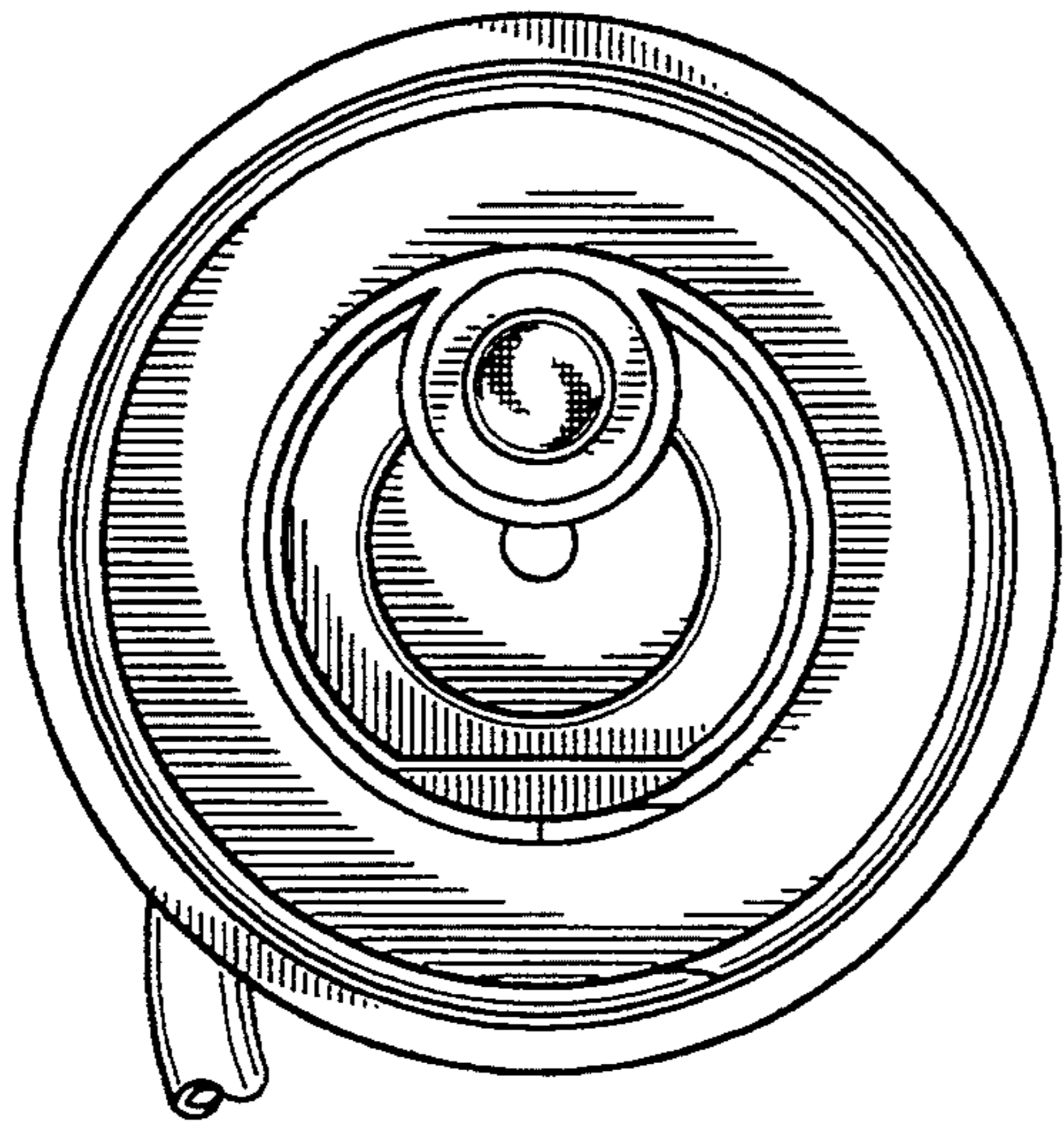


FIG-8