



US00D359683S

United States Patent [19]

[11] Patent Number: **Des. 359,683**

Beach

[45] Date of Patent: **** Jun. 27, 1995**

[54] **SPOUT**

[75] Inventor: **William H. Beach**, Floyds Knobs, Ind.

[73] Assignee: **Polar Express International, Inc.**, New Albany, Ind.

[**] Term: **14 Years**

[21] Appl. No.: **10,423**

[22] Filed: **Jul. 6, 1993**

[52] U.S. Cl. **D9/434**

[58] Field of Search **D7/397-398;**
D9/434-435, 439-440, 442, 444, 447, 452;
D15/82; 215/355; 220/306, 745; 222/95, 566,
569, 575

4,484,916 11/1984 McPhee 215/355
 4,542,530 9/1985 Thomas et al. 383/66
 4,623,075 11/1986 Riley 222/95
 4,672,688 6/1987 Kalkipsakis 383/58
 4,711,376 12/1987 Manfroni 222/146.1
 4,840,908 6/1989 Burns 215/227
 4,854,734 8/1989 Anderson 383/66
 4,887,912 12/1989 Stumpf 383/66
 4,890,772 1/1990 Heuberger et al. 222/156
 5,048,724 9/1991 Thomas 222/95
 5,096,092 3/1992 Devine 222/95
 5,100,025 3/1992 McGraw 222/95
 5,147,071 9/1992 Rutter et al. 222/92
 5,292,024 3/1994 Koefeldt et al. 220/306

FOREIGN PATENT DOCUMENTS

2177185A 1/1987 United Kingdom .

OTHER PUBLICATIONS

"FF" Body style, Tomlinson No-Drip Faucet Catalog, 1978 Edition, p. 3.

Primary Examiner—Alan P. Douglas
Assistant Examiner—R. Spear
Attorney, Agent, or Firm—Dorr, Carson, Sloan & Birney

CLAIM

[57] The ornamental design for a spout, as shown and described.

DESCRIPTION

FIG. 1 is a perspective view of a spout showing my new design as viewed from the outlet of the spout;
 FIG. 2 is another perspective view of a spout showing my new design as viewed from the inlet to the spout;
 FIG. 3 is an outlet plan view thereof;
 FIG. 4 is a side elevational view thereof all other side elevational views being identical thereto;
 FIG. 5 is an inlet plan view thereof; and,
 FIG. 6 is a cross sectional view thereof, taken along line 6—6 of FIG. 3.

[56] References Cited

U.S. PATENT DOCUMENTS

D. 120,464 5/1940 Martin D9/434
 D. 132,805 6/1942 DeBotelho D9/452
 D. 200,895 4/1965 Symonds D2/3
 D. 201,610 7/1965 Symonds D2/3
 D. 205,827 9/1966 Plagenberg D2/3
 D. 225,161 11/1972 Ritchie D9/439
 D. 227,558 7/1973 Matthews, Jr. D9/434
 D. 295,138 4/1988 Hyde D7/398
 1,124,495 1/1915 Mahn D9/440 X
 2,133,316 10/1938 Altgelt 183/24
 2,940,724 6/1960 Sieling 251/240
 2,959,391 11/1960 Rapaport 251/156
 3,104,089 9/1963 Seltsam 251/263
 3,108,732 10/1963 Curie et al. 229/14
 3,244,576 4/1966 Swartz 156/513
 3,306,327 2/1967 Ilg 150/2.1
 3,388,842 6/1968 Costa D9/447 X
 3,698,206 10/1972 Werner 62/342
 4,267,941 5/1981 Loudin 220/745
 4,304,341 12/1981 Shirley 222/131
 4,375,864 3/1983 Savage 222/81
 4,445,551 5/1984 Bond et al. 141/349

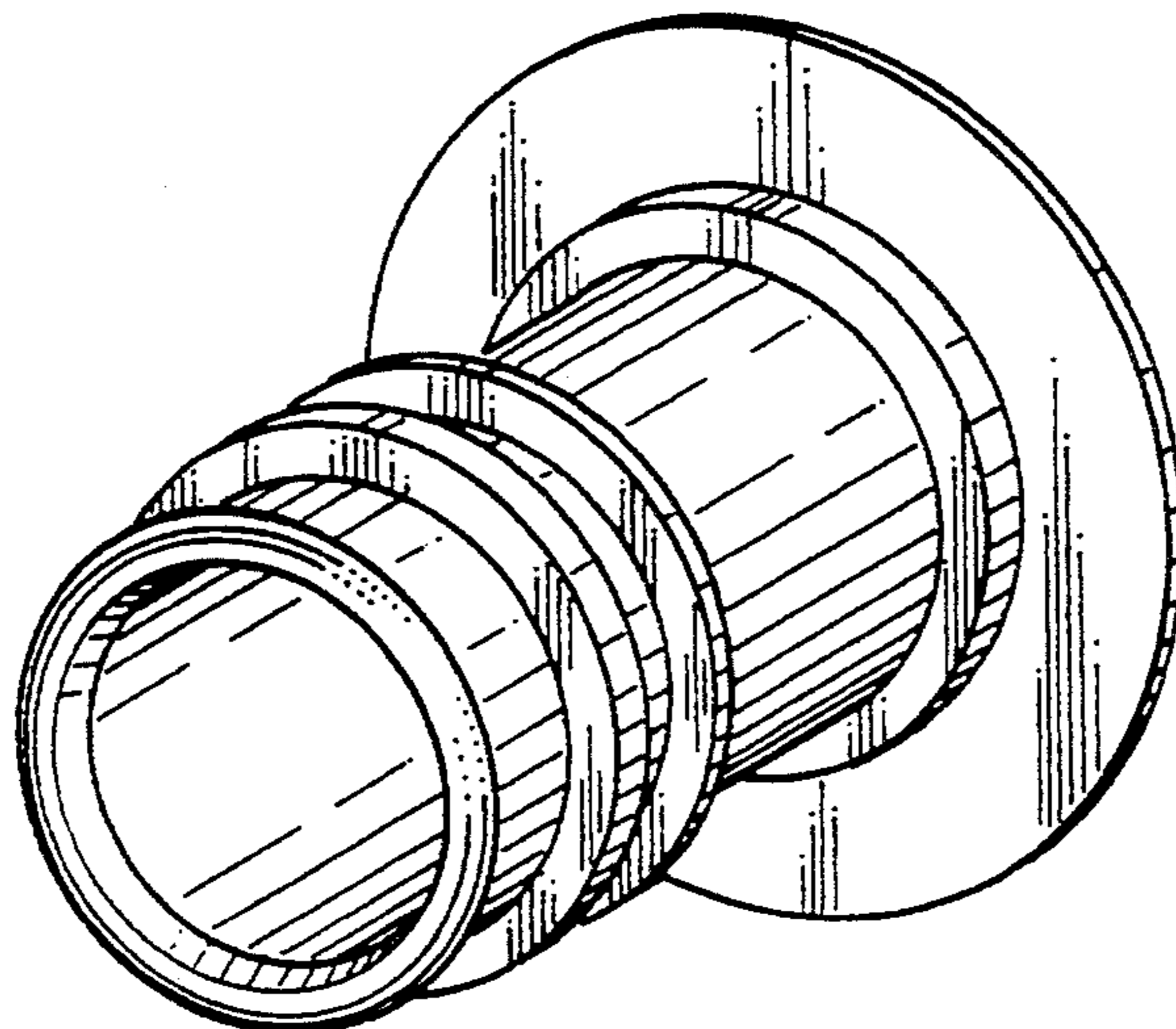


Fig. 1

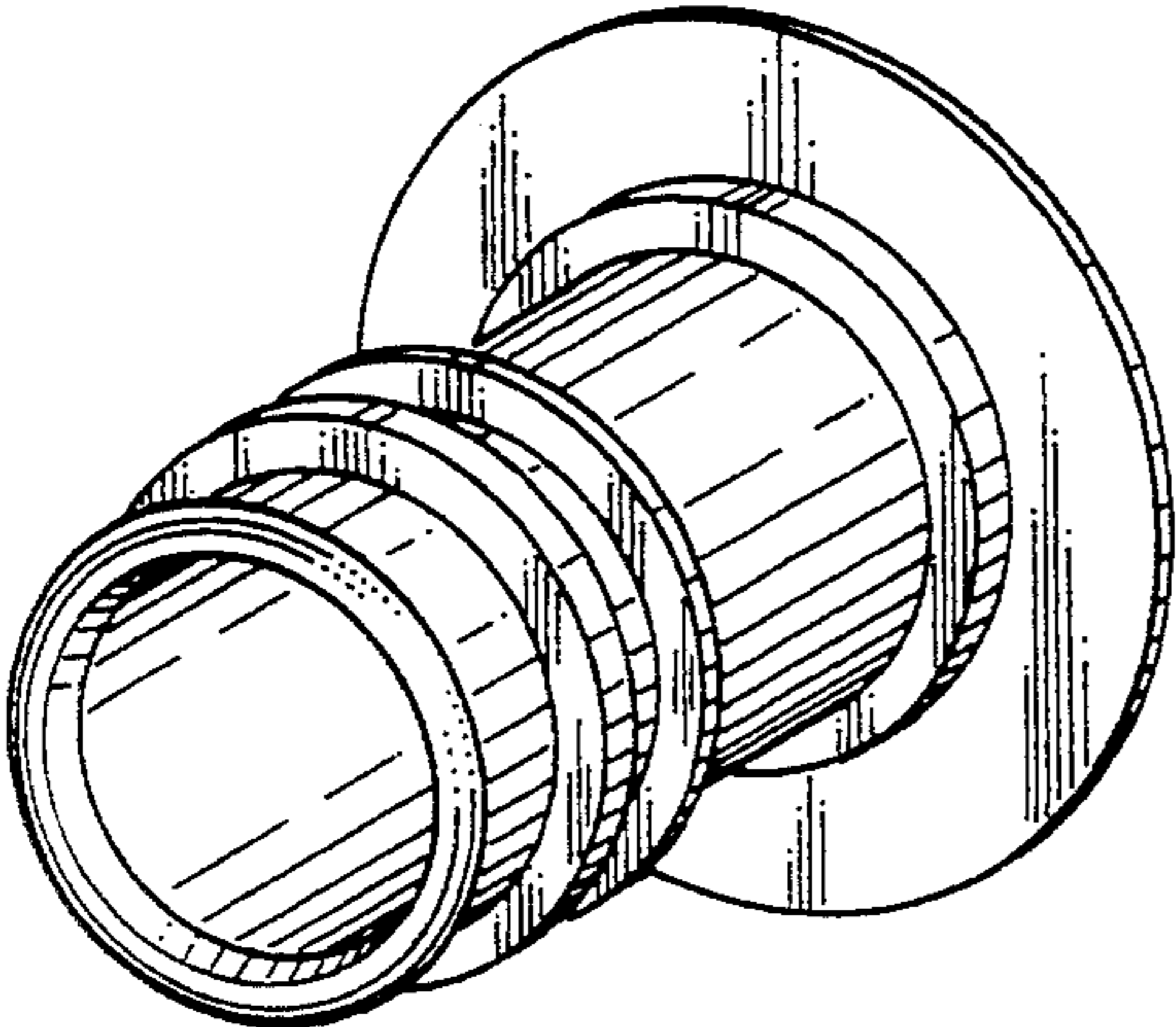


Fig. 2

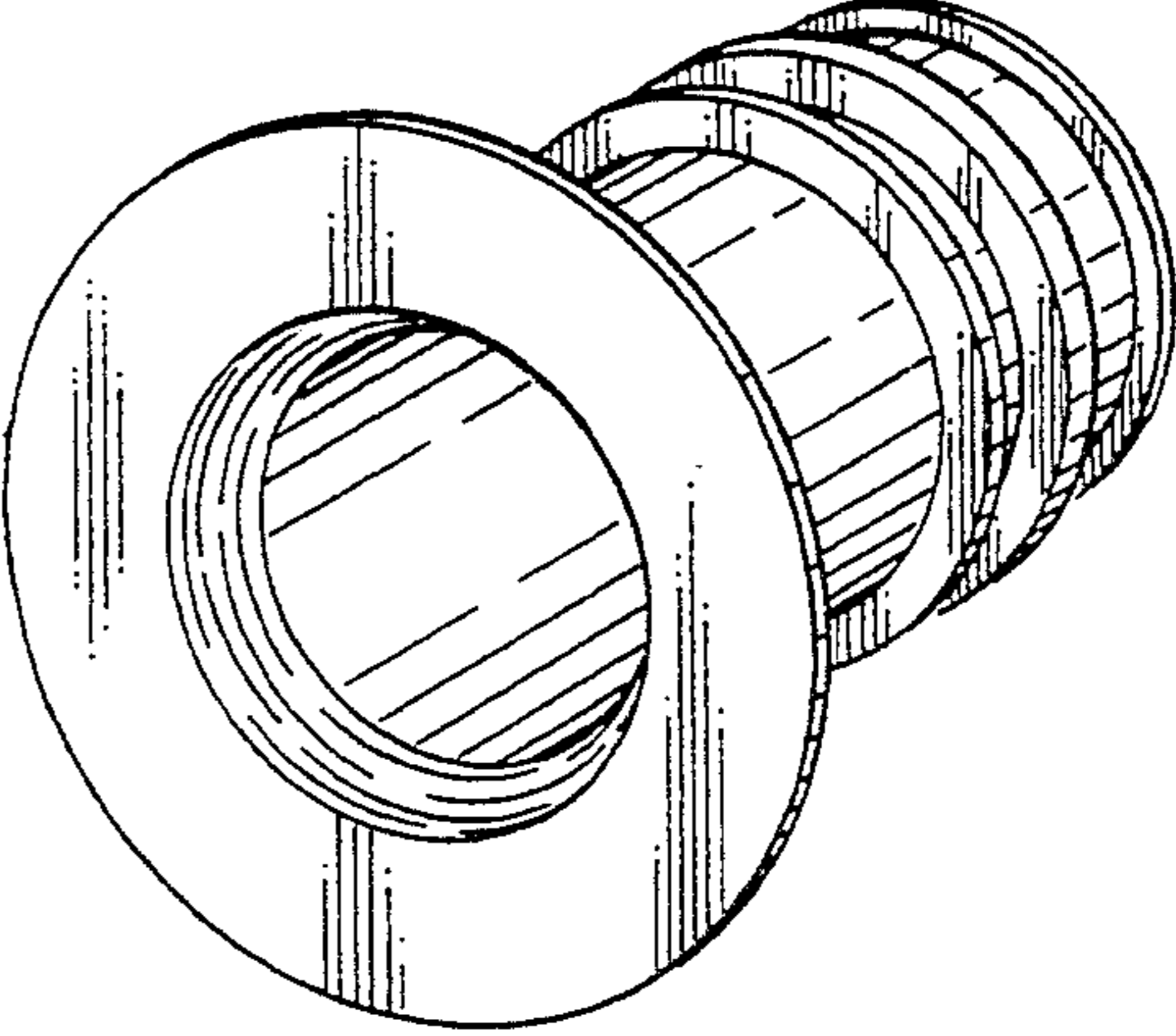


Fig. 3

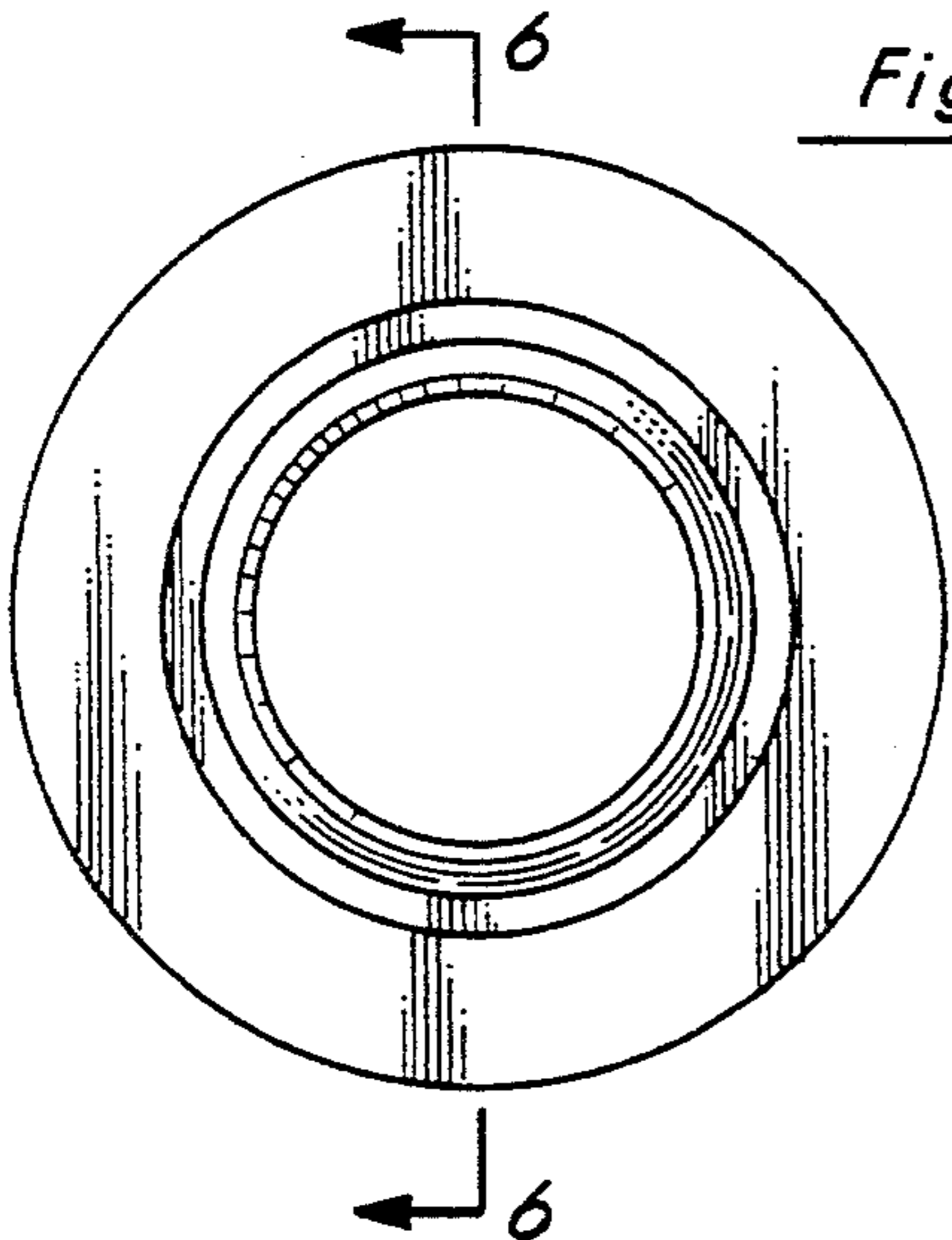


Fig. 4

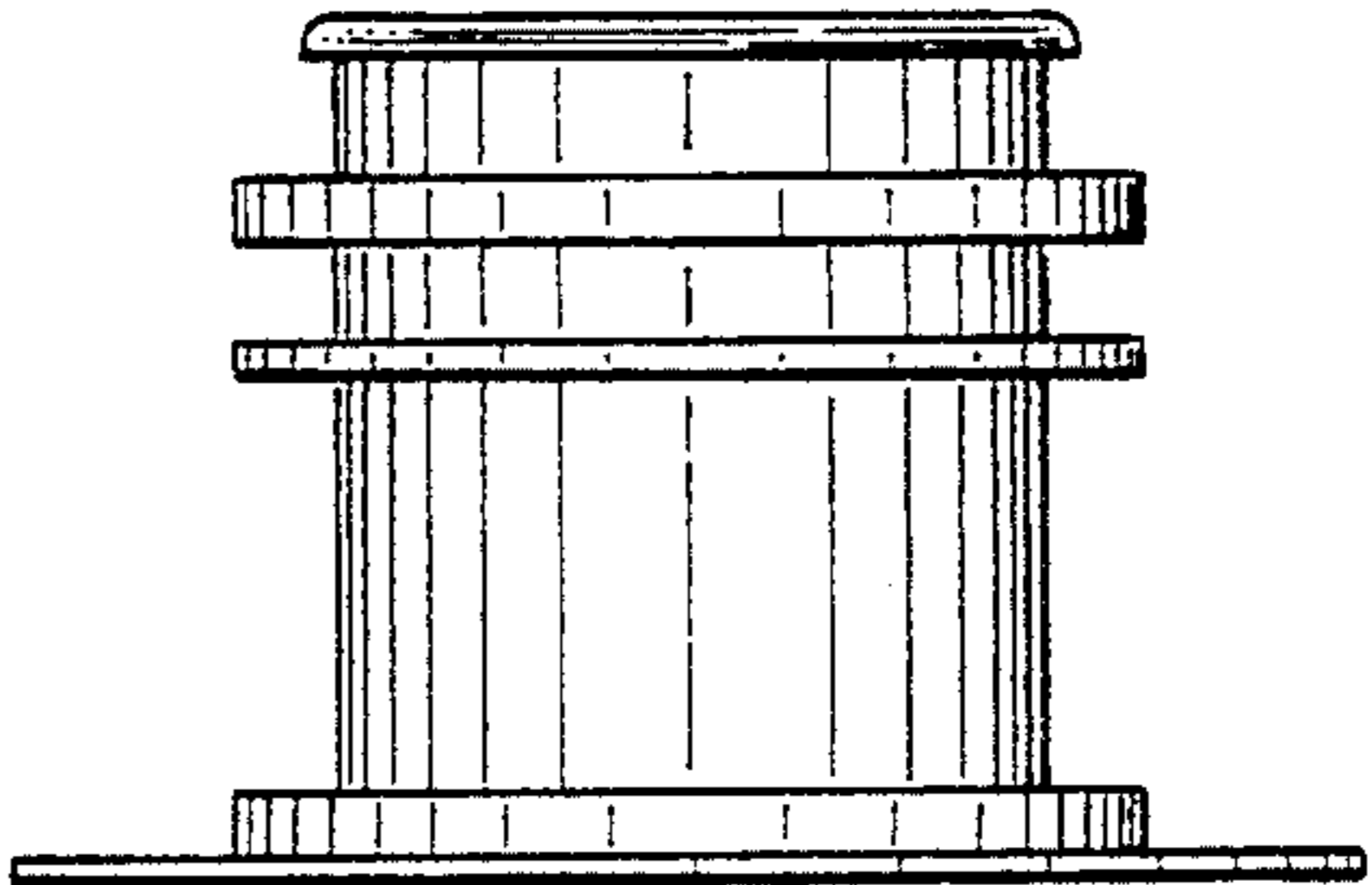


Fig. 5

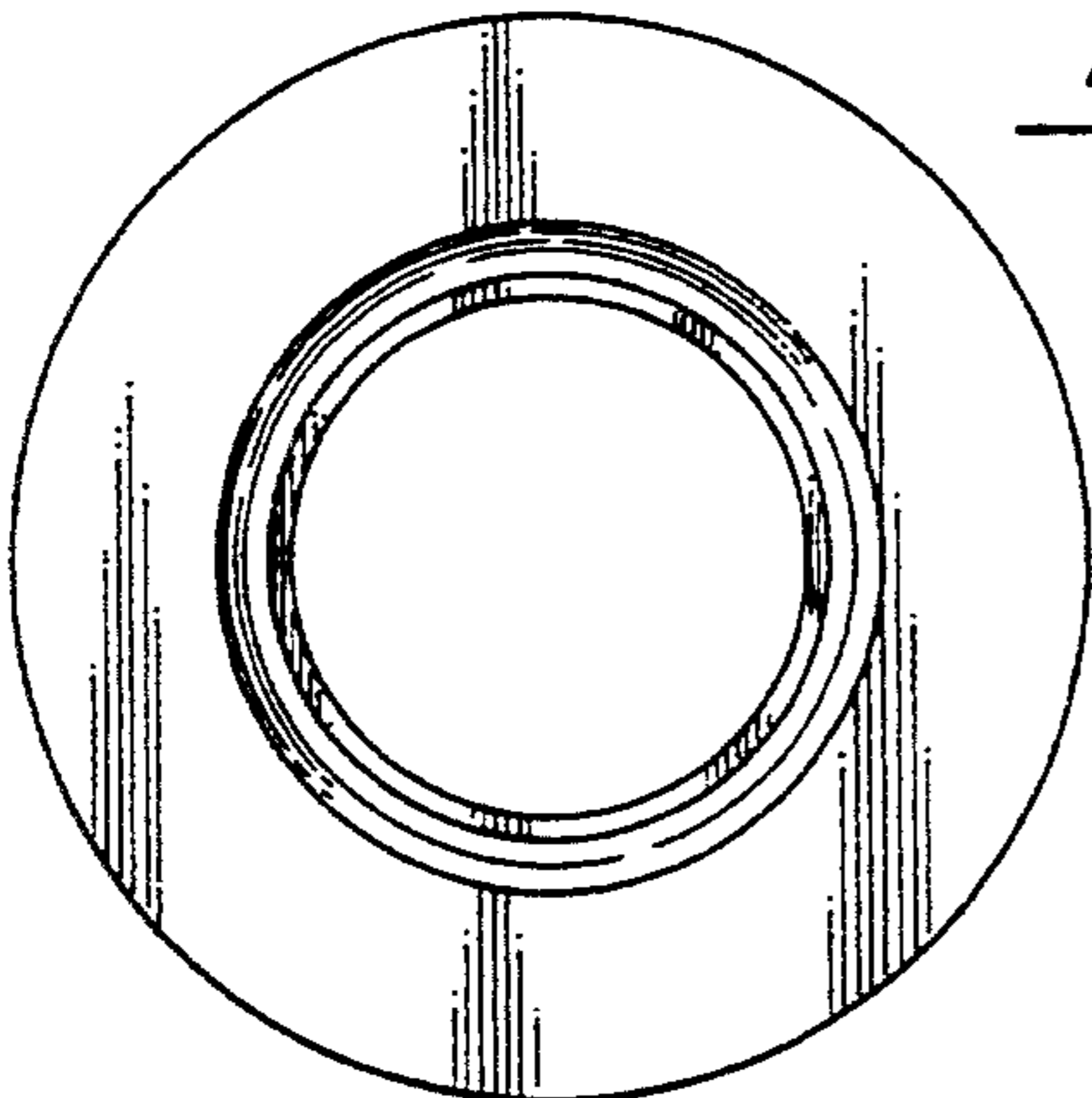


Fig. 6

