



US00D359682S

United States Patent [19] Miller

[11] Patent Number: **Des. 359,682**
[45] Date of Patent: **** Jun. 27, 1995**

[54] **CLOSURE**

[75] Inventor: **Albert R. Miller, Hinsdale, Ill.**
[73] Assignee: **Phoenix Closures, Inc., Naperville, Ill.**
[**] Term: **14 Years**
[21] Appl. No.: **5,214**
[22] Filed: **Feb. 26, 1993**
[52] U.S. Cl. **D9/434; D9/453**
[58] Field of Search **D9/434-435, D9/443-446, 450, 452-454, 499, 546; 215/204, 208; 220/288; 222/551, 569, 571**

4,493,427 1/1985 Wolkonsky 222/571

FOREIGN PATENT DOCUMENTS

2141697 1/1985 United Kingdom 215/204

OTHER PUBLICATIONS

Dougherty Brothers Co. AD; *D+Cl*, Dec. 1982, p. 61.

Primary Examiner—Alan P. Douglas
Assistant Examiner—R. Spear
Attorney, Agent, or Firm—Welsh & Katz, Ltd.

[56] **References Cited**

U.S. PATENT DOCUMENTS

D. 113,394	2/1930	Piluso	D9/453
D. 196,082	8/1963	Stull	D9/453
D. 197,926	4/1964	Stull	D9/446
D. 211,447	6/1968	Marchant	D9/546
D. 304,424	11/1989	Dawson	D9/453
D. 311,868	11/1990	Armstrong	D9/453
D. 330,332	10/1992	Pezzoli et al.	D9/445
4,299,330	11/1981	Walter	220/288
4,345,701	8/1982	Walter	222/569

[57] **CLAIM**

The ornamental design for a closure, as shown and described.

DESCRIPTION

FIG. 1 is a top front perspective view of a closure showing my new design;
FIG. 2 is a rear elevational view thereof;
FIG. 3 is a right side elevational view thereof, the left side elevational view being a mirror image thereof;
FIG. 4 is a top plan view thereof;
FIG. 5 is a bottom plan view thereof; and,
FIG. 6 is a cross-sectional view thereof, taken along line 6—6 of FIG. 5.

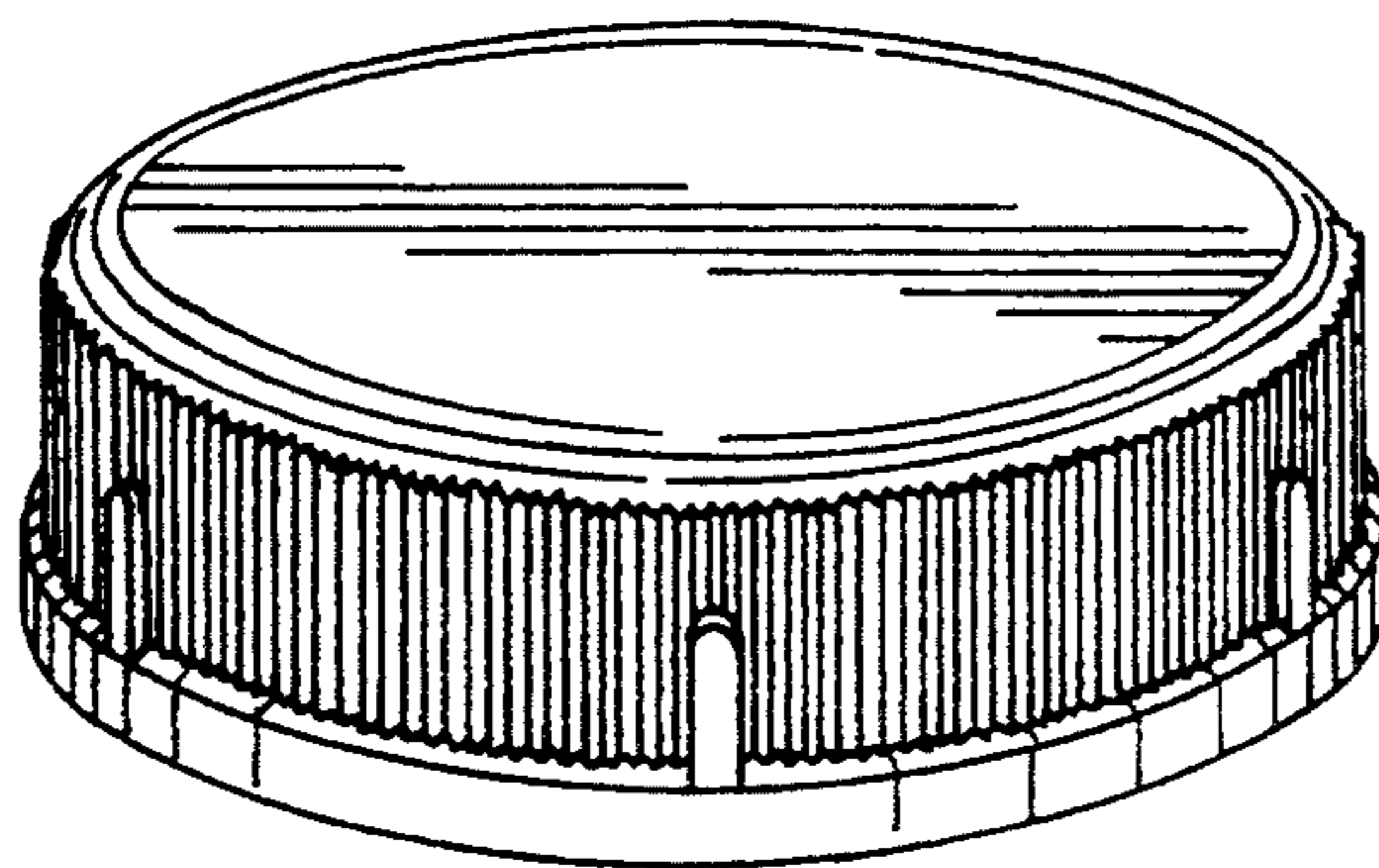


FIG.1

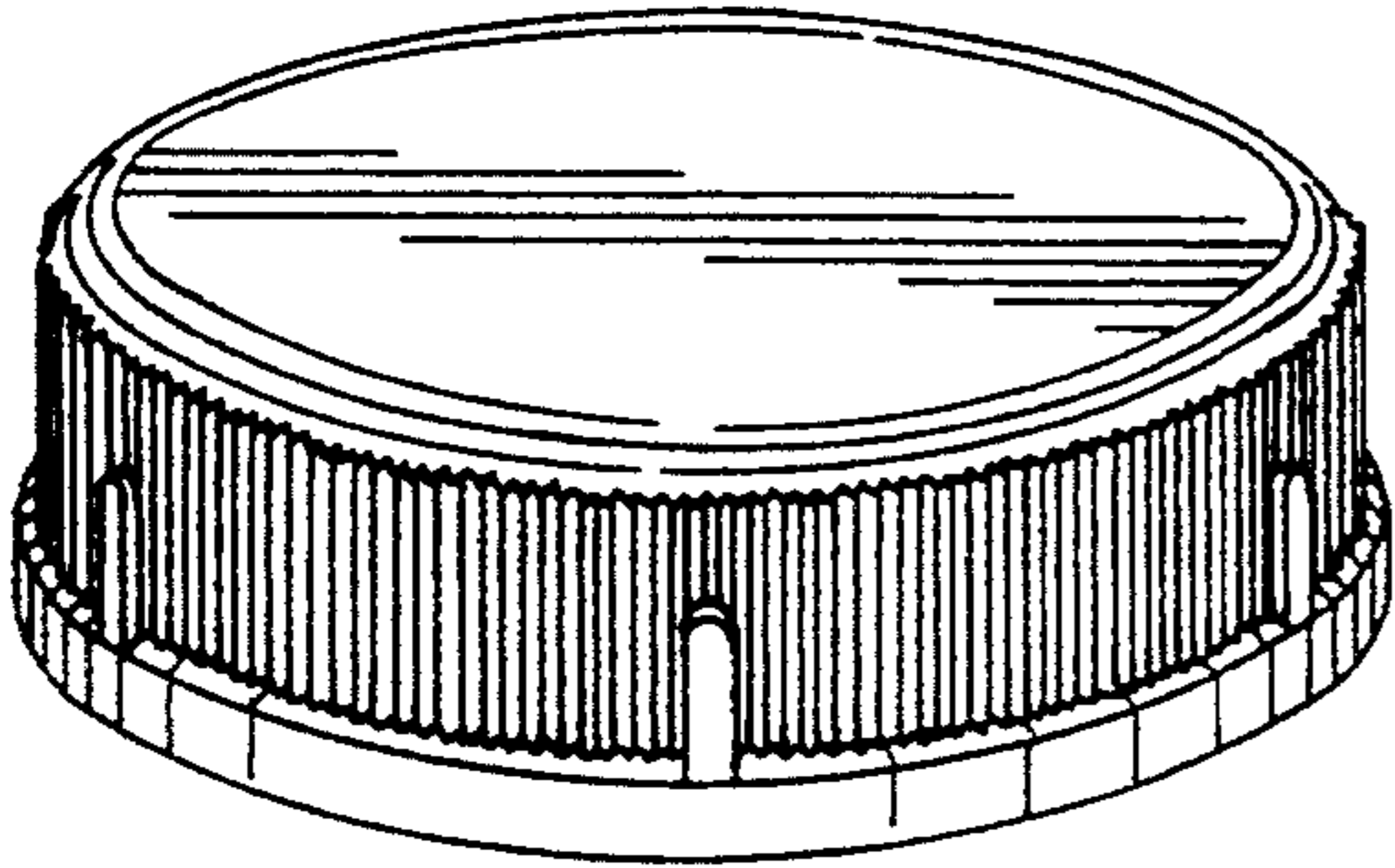


FIG.2

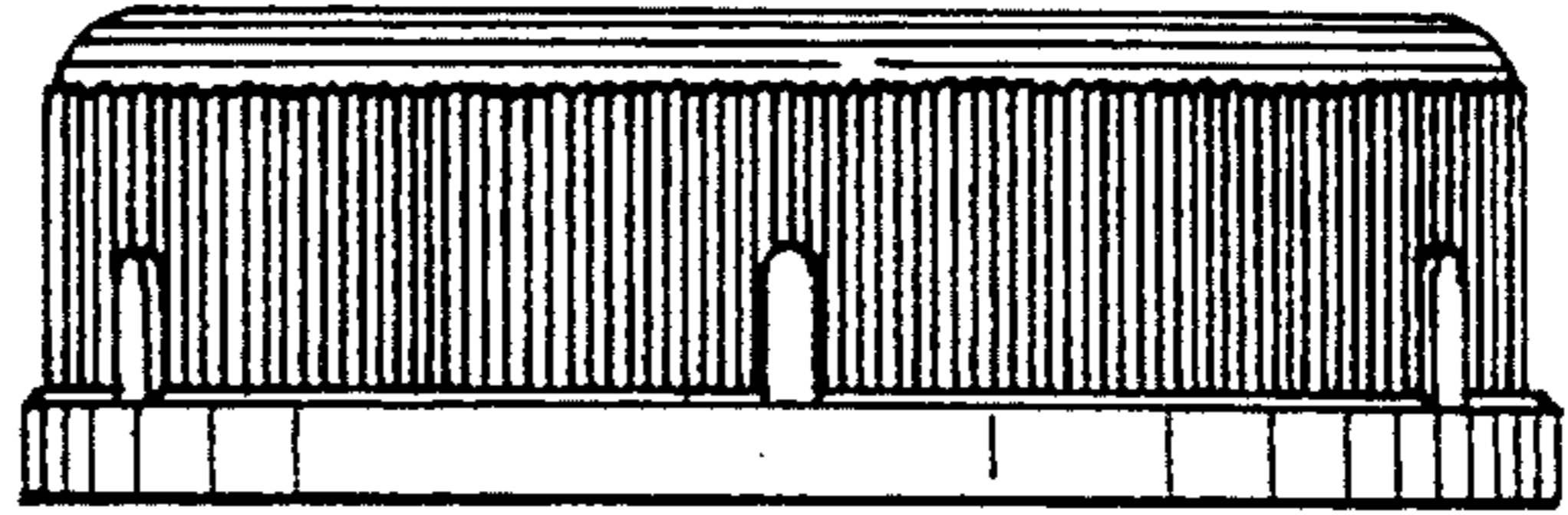


FIG.3

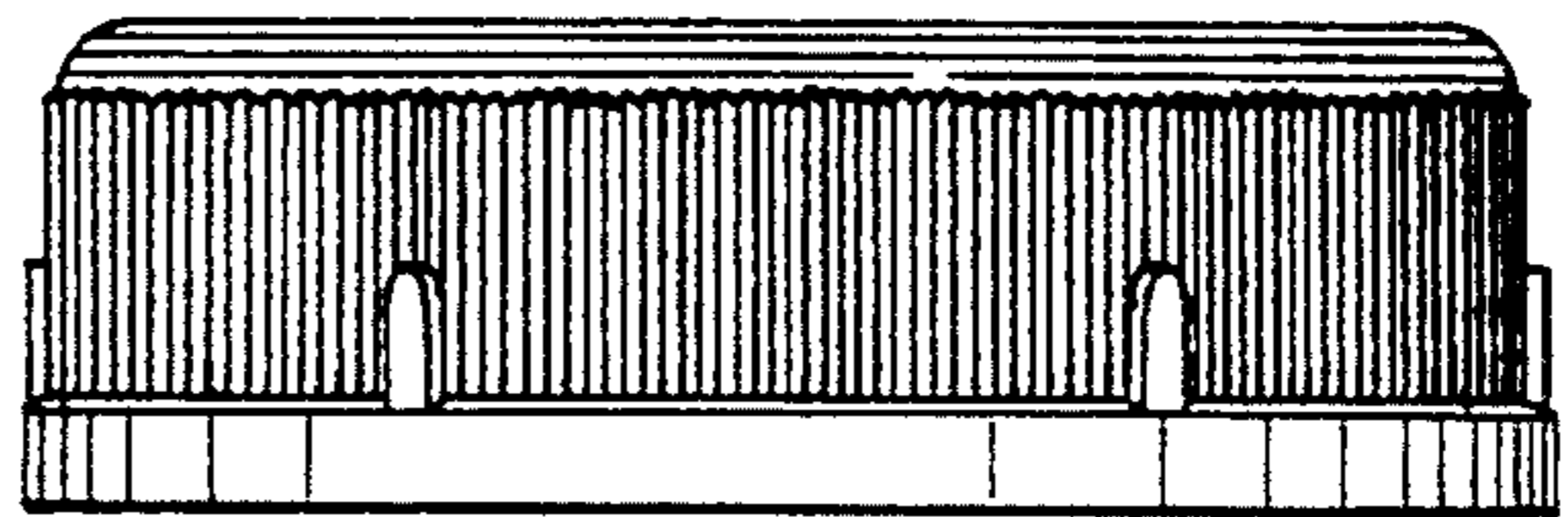


FIG.4

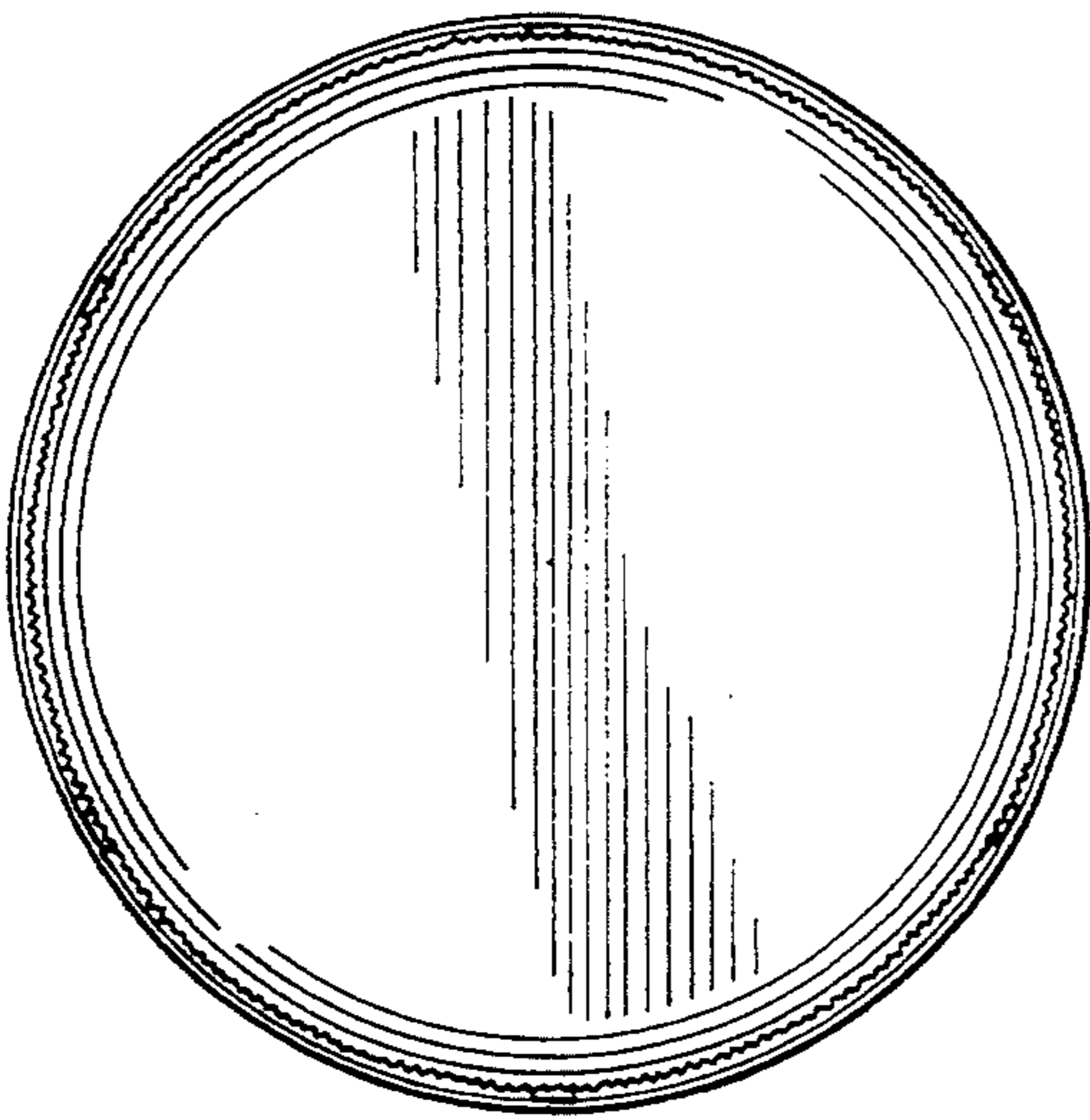


FIG.5

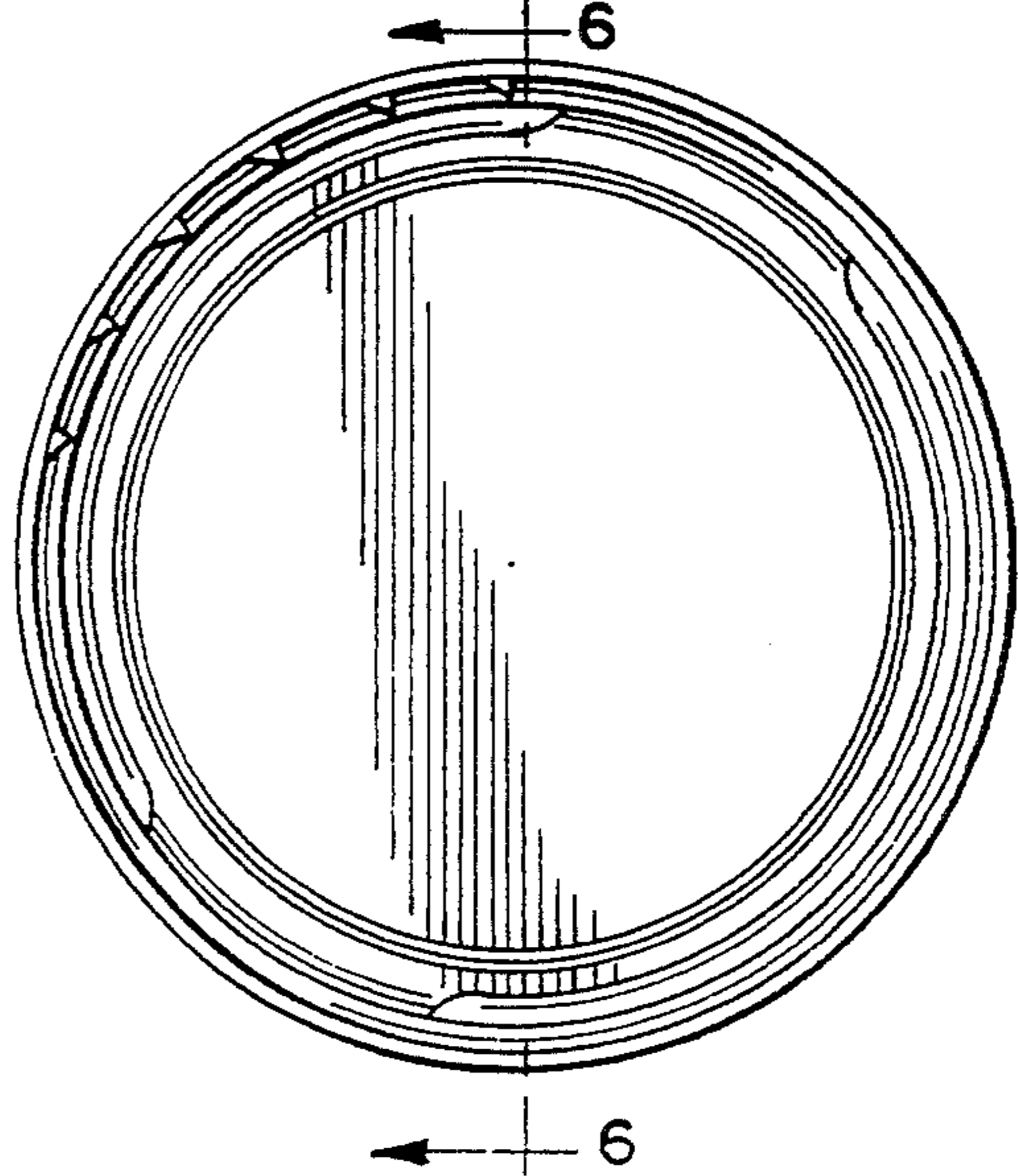


FIG.6

