



US00D359676S

United States Patent [19]

[11] Patent Number: **Des. 359,676**

Liang

[45] Date of Patent: **** Jun. 27, 1995**

[54] **CASTER UNIT FOR A SUITCASE**

Attorney, Agent, or Firm—Ladas & Parry

[76] Inventor: **Sung-Ming Liang**, No. 21, Lane 169, Fu-San St., Fu-San Li, Changhua City, Taiwan, Prov. of China

[57] **CLAIM**

The ornamental design for caster unit for a suitcase, as shown and described.

[**] Term: **14 Years**

DESCRIPTION

[21] Appl. No.: **18,432**

FIG. 1 is a perspective view of caster unit for a suitcase showing my new design;

[22] Filed: **Feb. 7, 1994**

FIG. 2 is a front elevational view thereof;

[52] U.S. Cl. **D8/375; D3/279; D3/318**

FIG. 3 is a rear elevational view thereof;

[58] Field of Search **D8/375; 16/18 R, 45, 16/29; 190/18 A; D3/279, 318**

FIG. 4 is a left side elevational view thereof;

FIG. 5 is a right side elevational view thereof;

FIG. 6 is a top plan view thereof;

FIG. 7 is a bottom plan view thereof;

[56] **References Cited**

U.S. PATENT DOCUMENTS

| | | | | |
|------------|--------|----------|-------|------------|
| D. 346,953 | 5/1994 | Scicluna | | D8/375 |
| 3,257,120 | 6/1966 | Browning | | 190/18 A X |
| 3,655,215 | 4/1972 | Becklin | | 190/18 A X |
| 4,215,769 | 8/1980 | Kuc | | 190/18 A |

FIG. 8 is a perspective view of a second embodiment of that shown in FIG. 1;

FIG. 9 is a front elevational view thereof;

FIG. 10 is a rear elevational view thereof;

FIG. 11 is a left side view thereof;

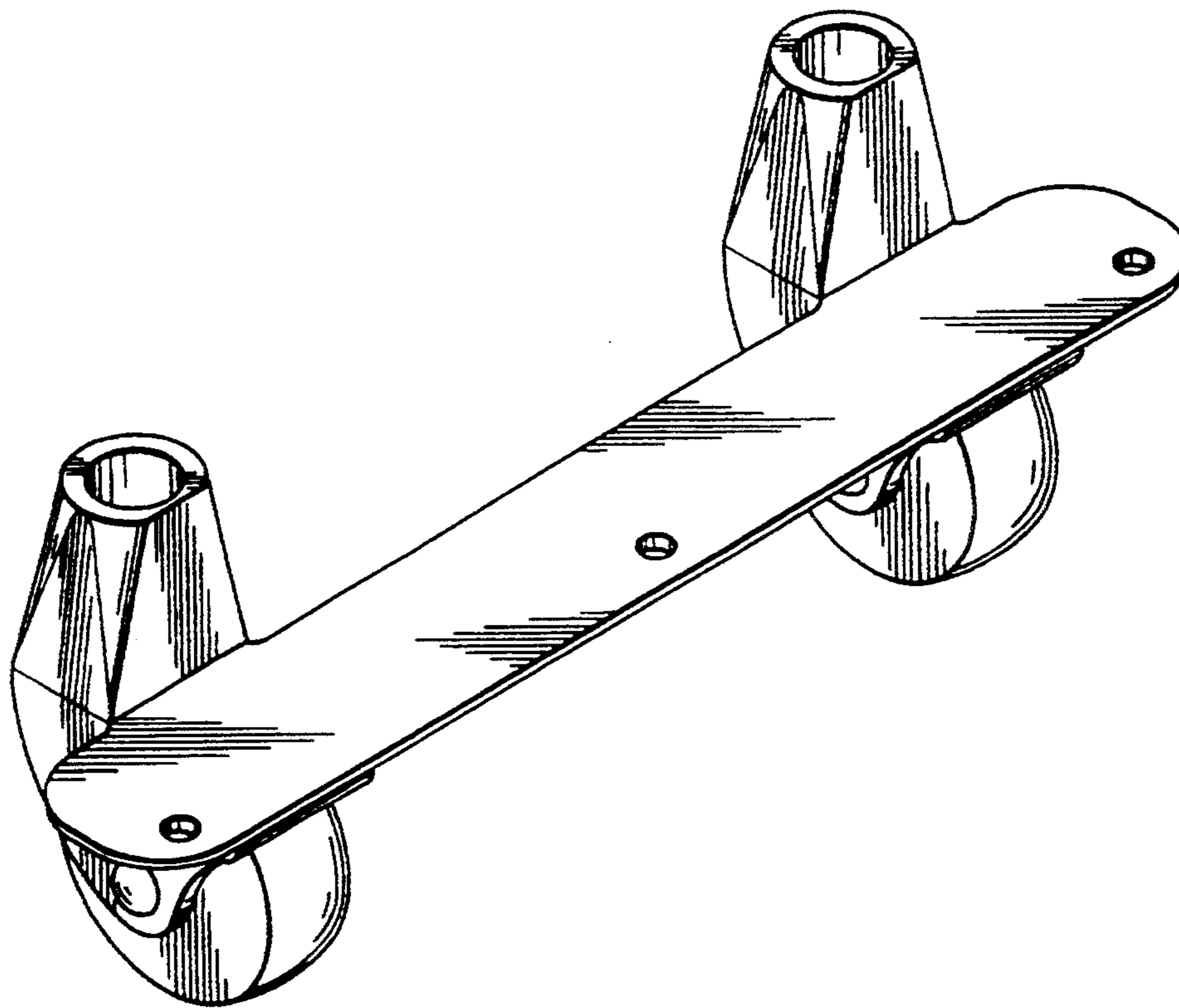
FIG. 12 is a right side view thereof;

FIG. 13 is a top plan view thereof; and,

FIG. 14 is a bottom plan view thereof.

Primary Examiner—James M. Gandy

Assistant Examiner—Holly Baynham



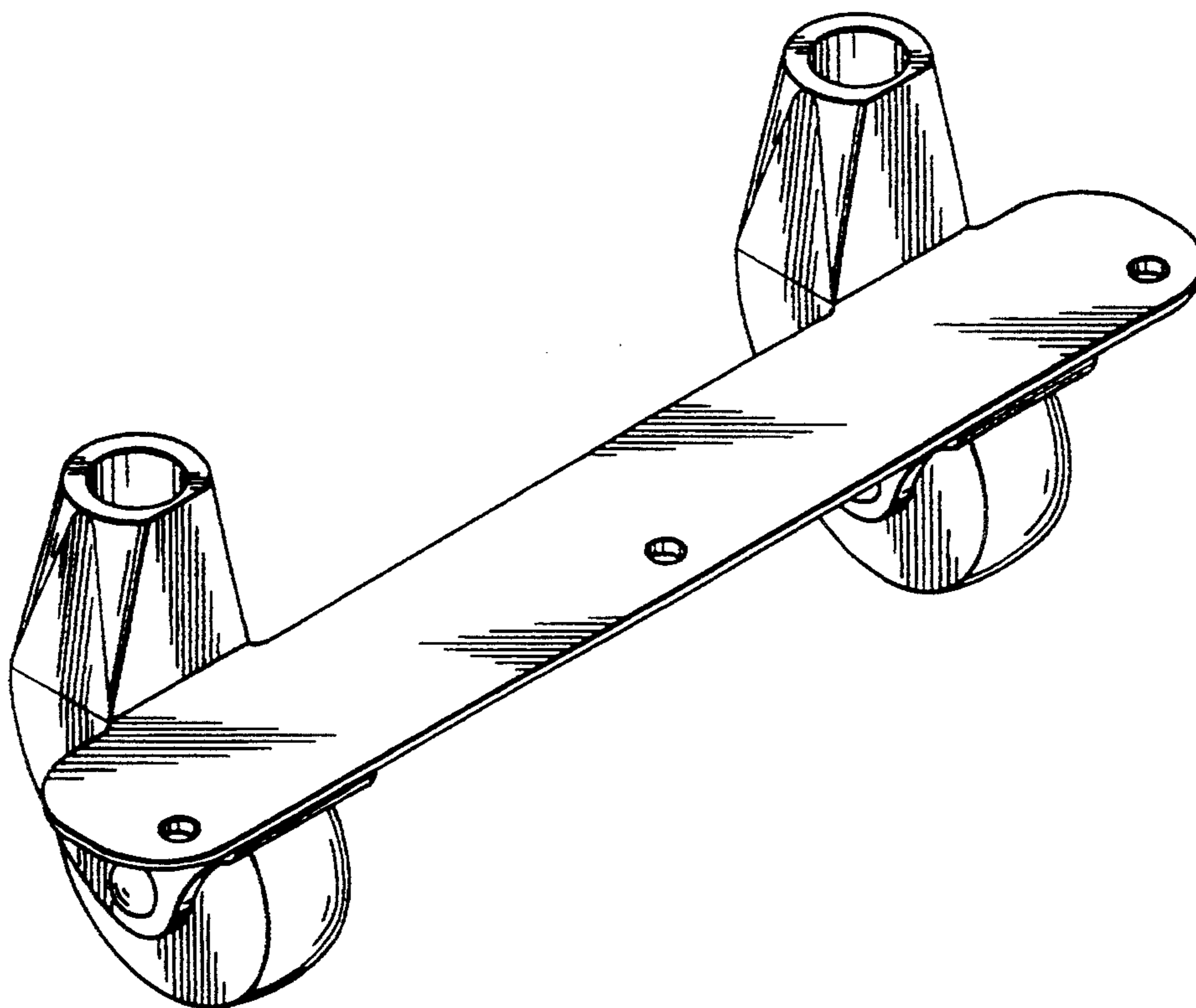


FIG.1

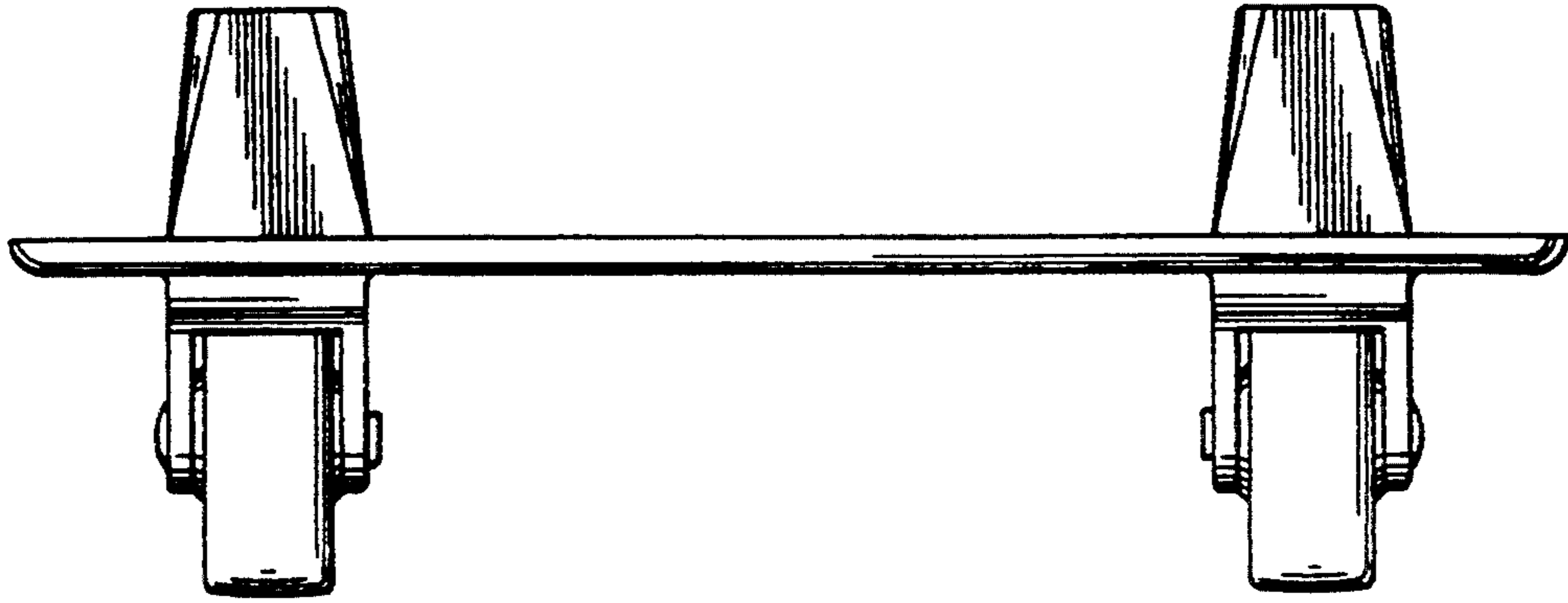


FIG. 2

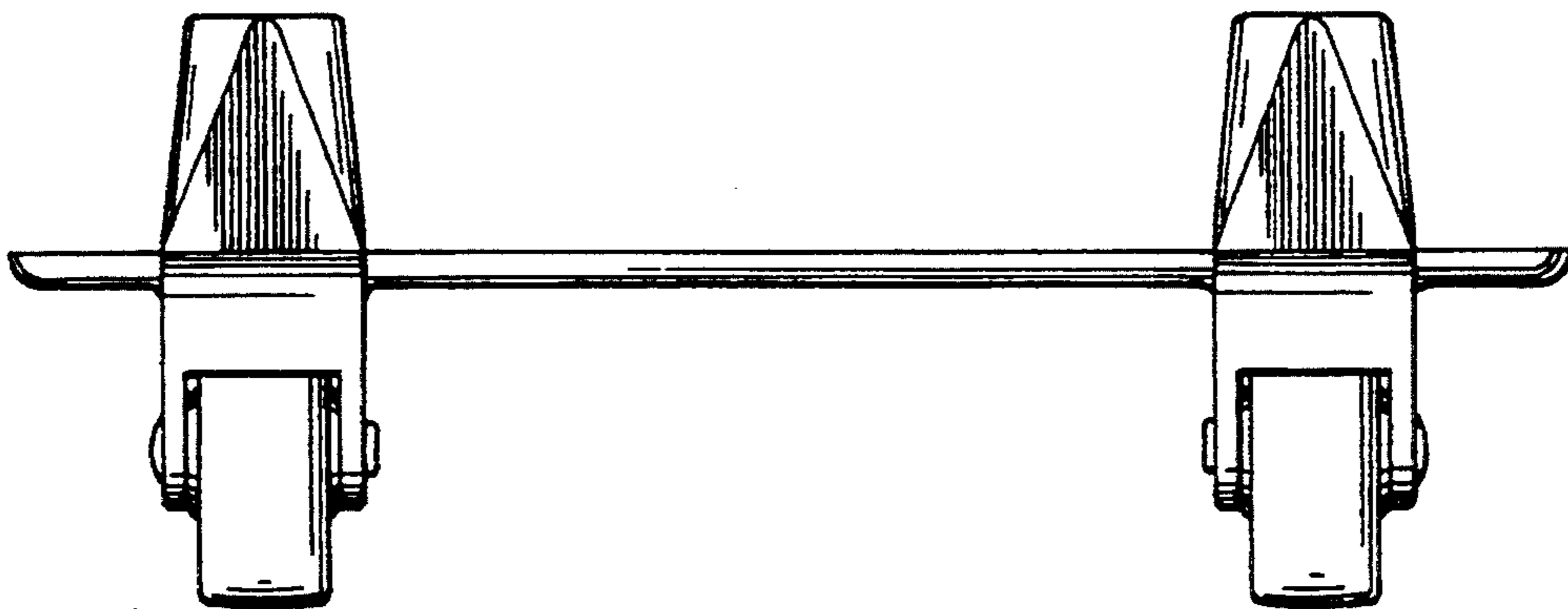


FIG. 3

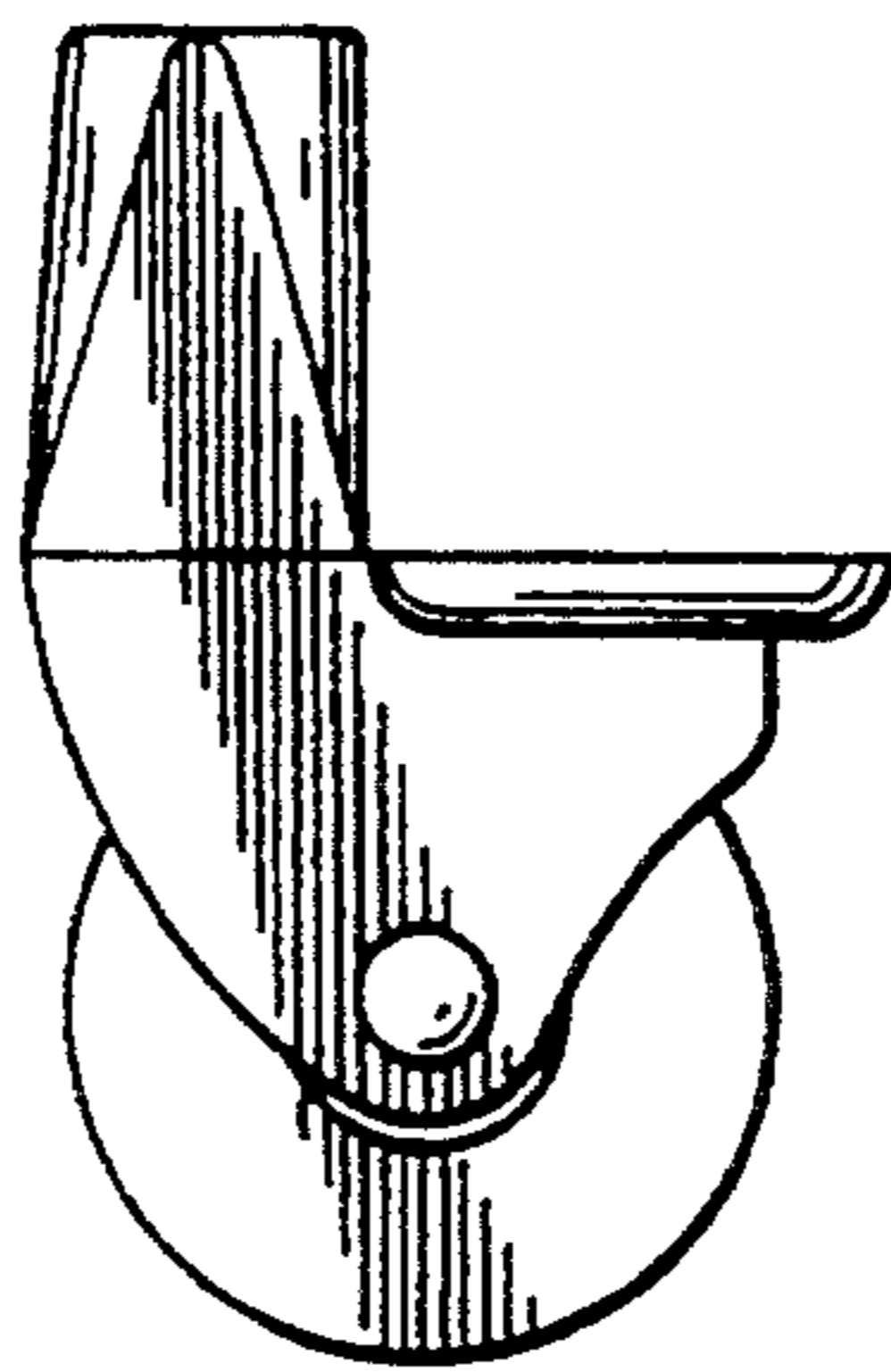


FIG.4

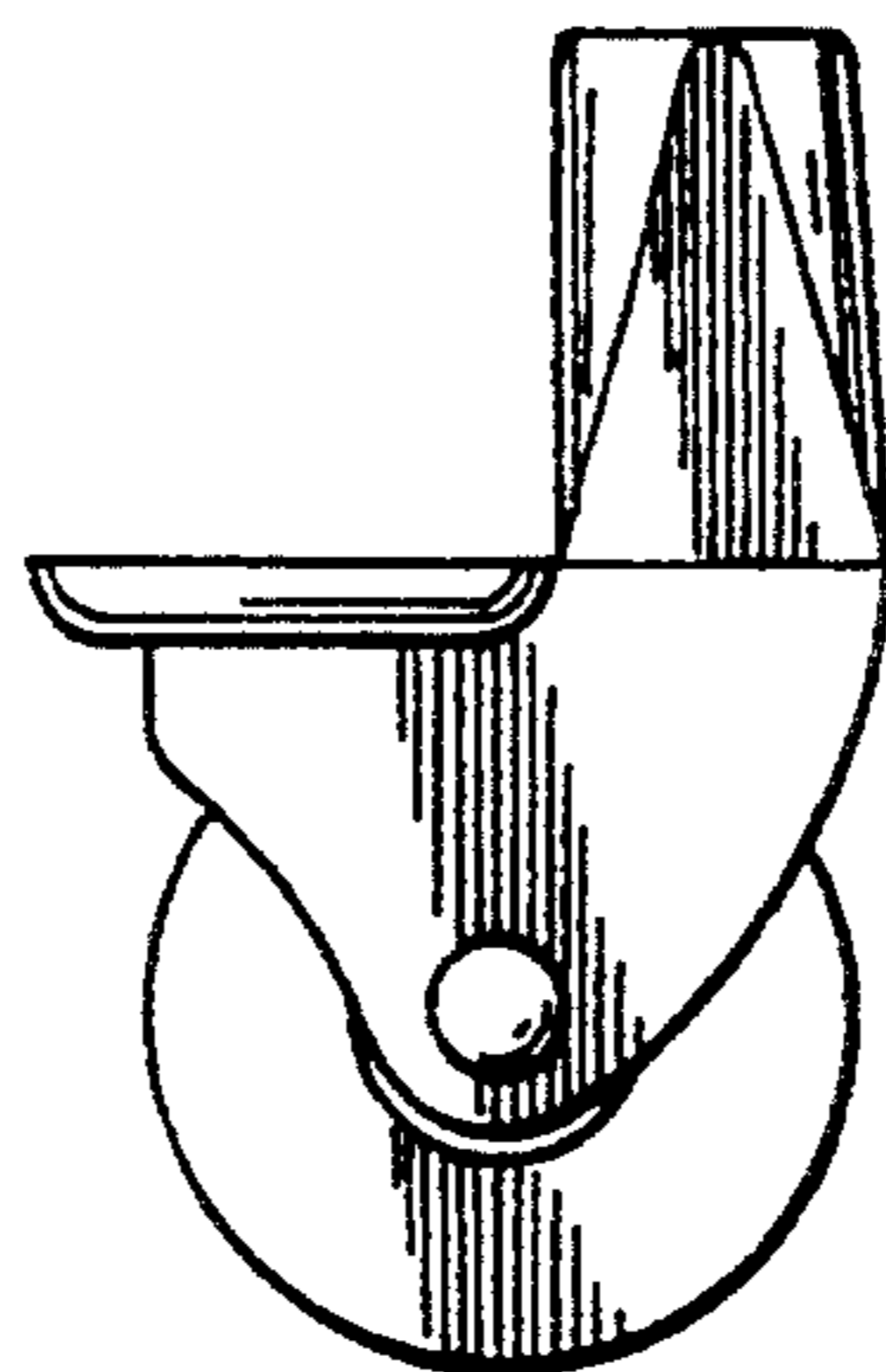


FIG.5

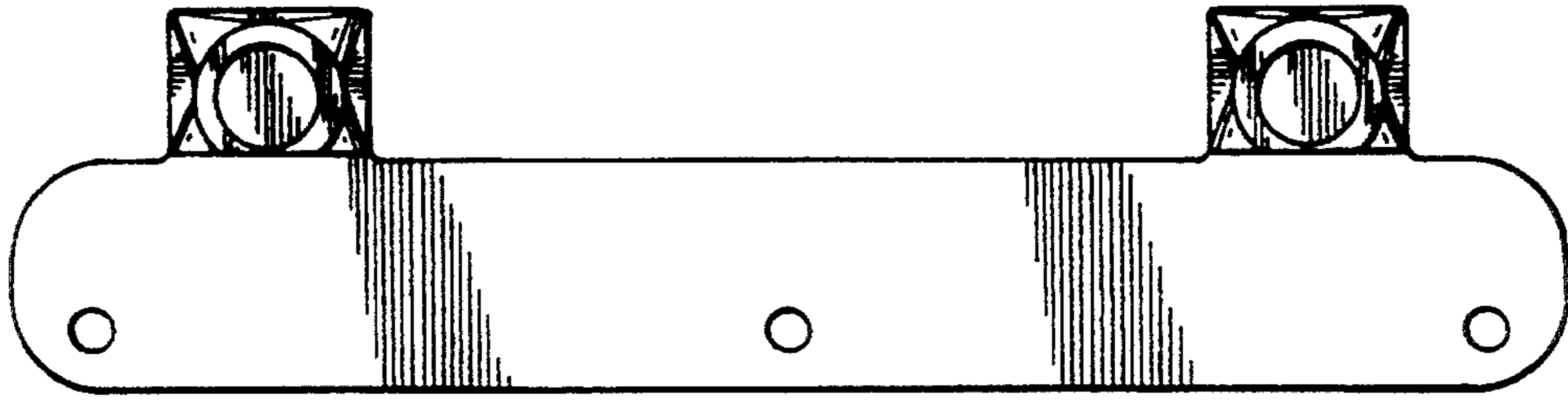


FIG. 6

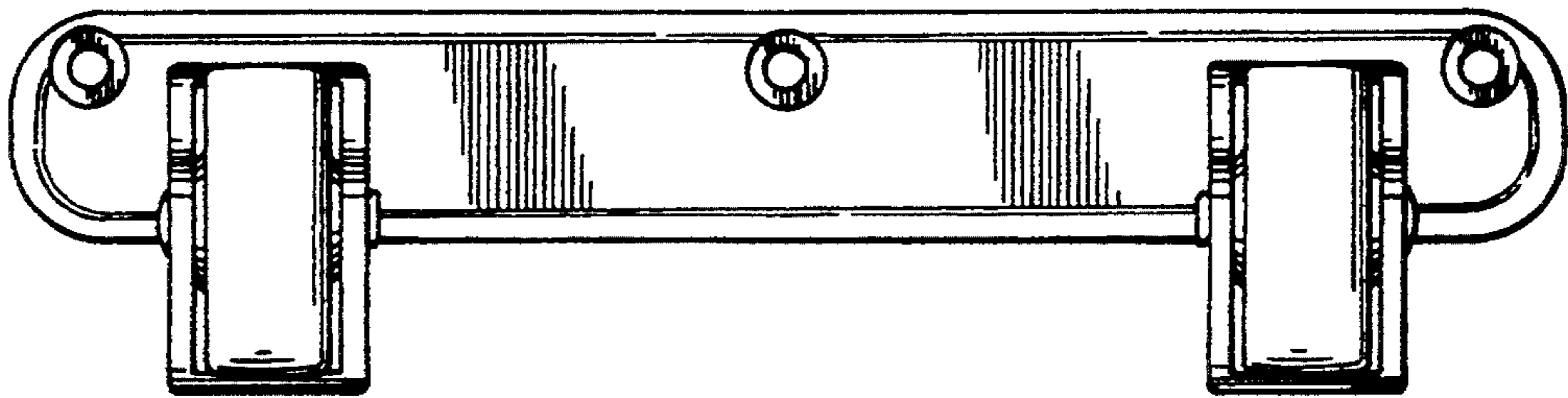


FIG. 7

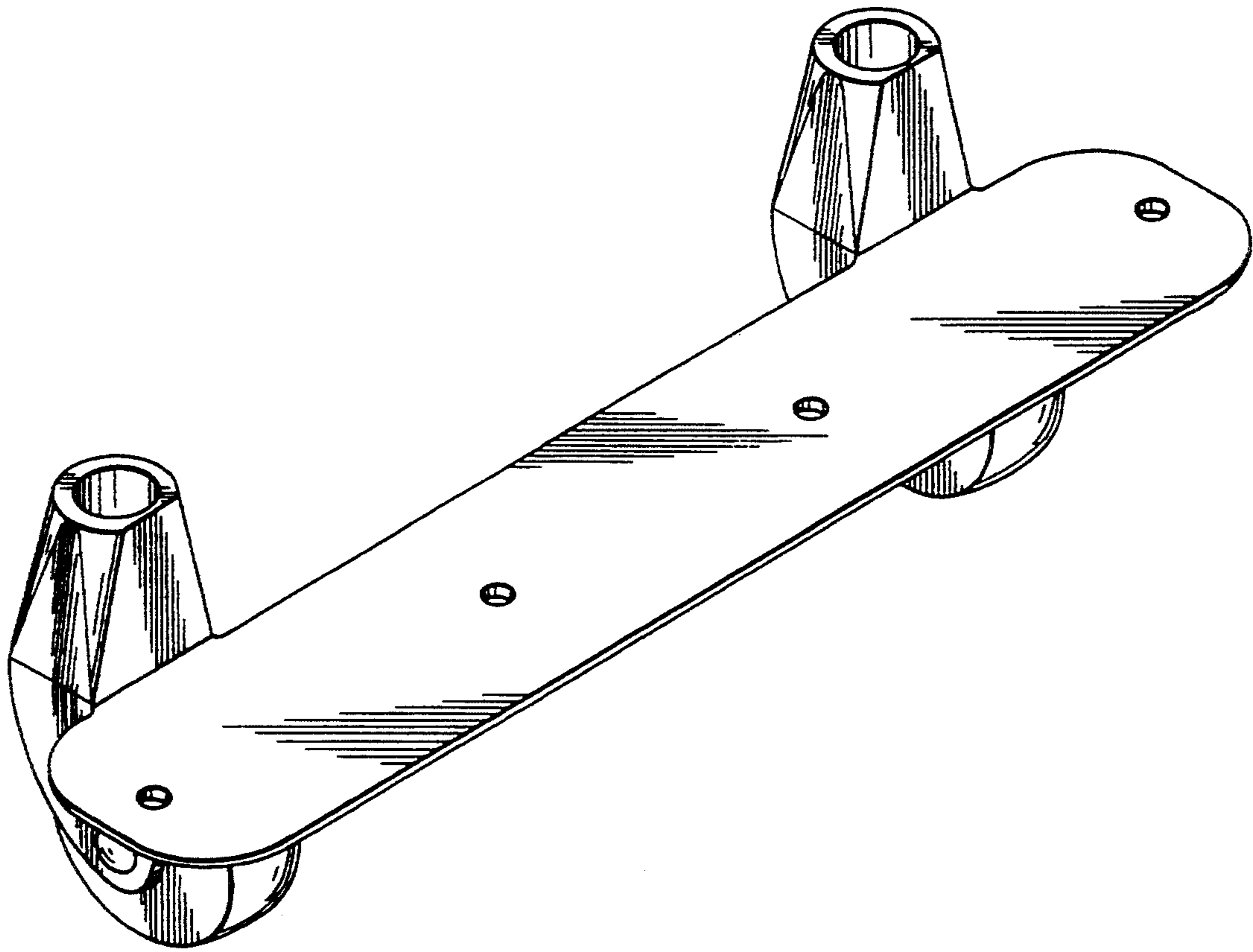


FIG.8

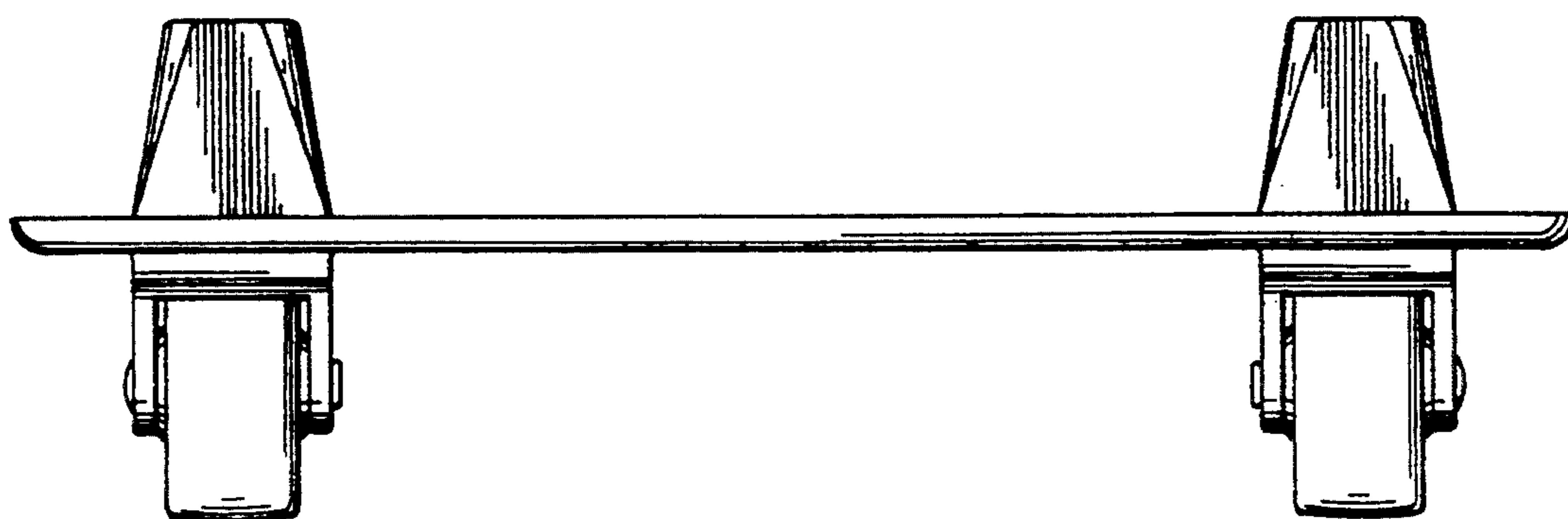


FIG. 9

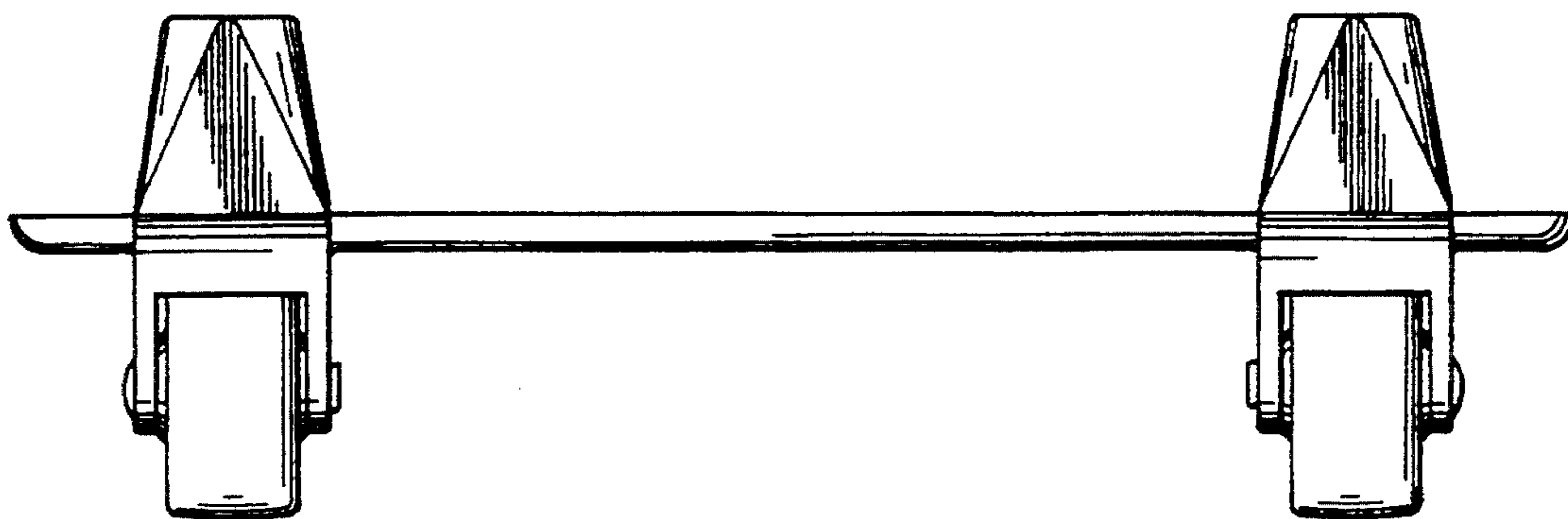


FIG. 10

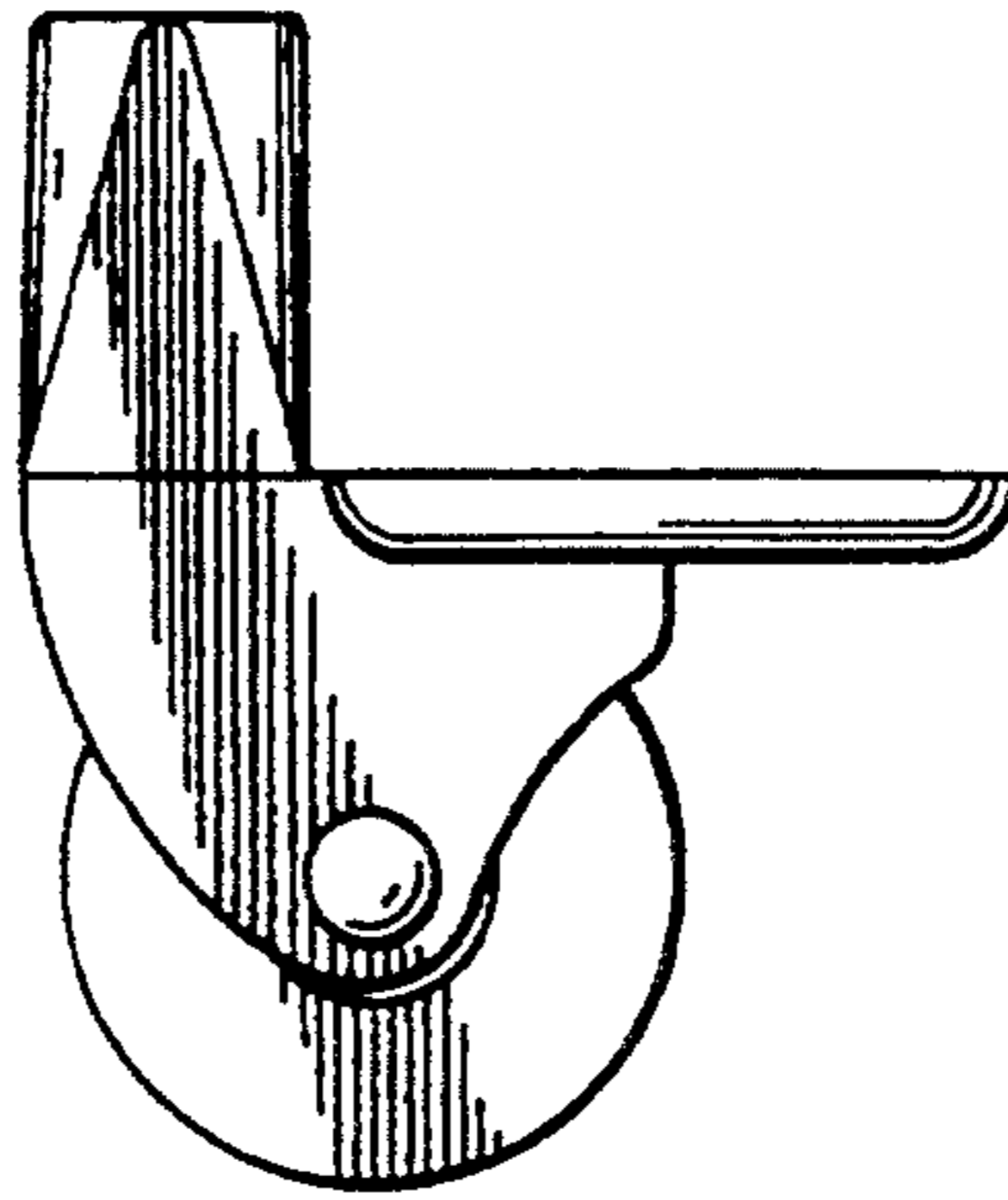


FIG.11

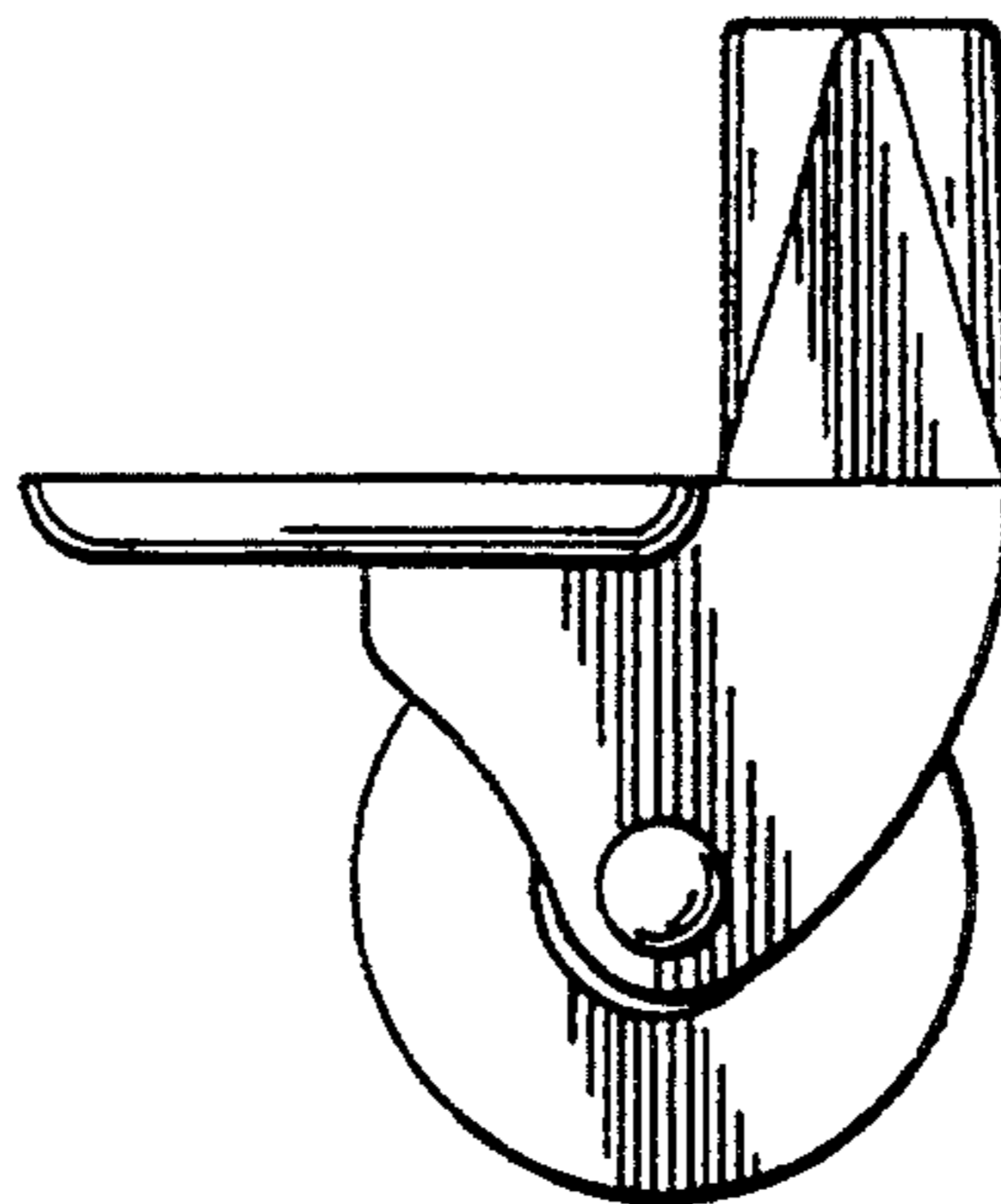


FIG.12

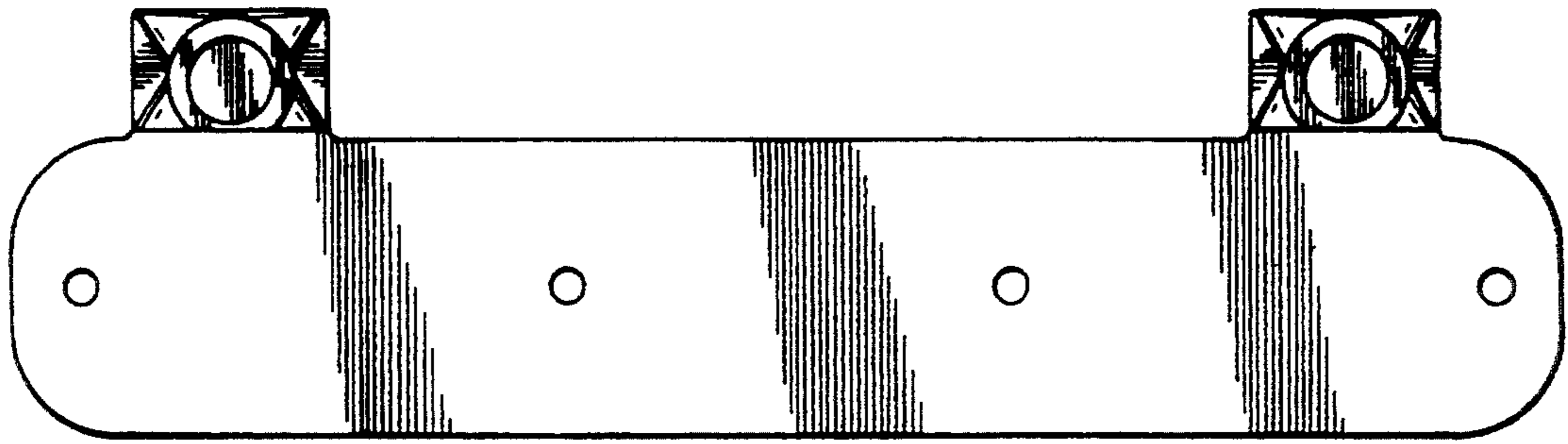


FIG. 13

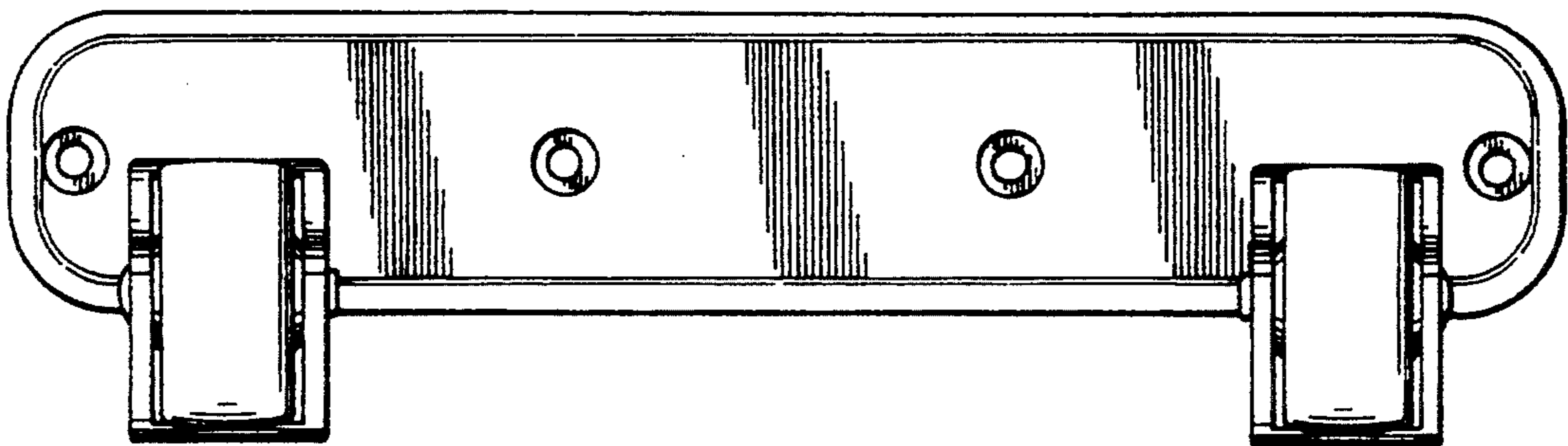


FIG. 14