



US00D359668S

# United States Patent [19]

Roberts et al.

[11] Patent Number: **Des. 359,668**

[45] Date of Patent: **\*\* Jun. 27, 1995**

[54] **QUICK RELEASE MECHANISM ACTUATOR FOR TOOLS SUCH AS SOCKET WRENCHES**

[75] Inventors: **Peter M. Roberts**, Chattanooga, Tenn.; **John B. Davidson**, Chicago, Ill.

[73] Assignee: **Roberts Tool International (USA), Inc.**, Chicago, Ill.

[\*\*] Term: **14 Years**

[21] Appl. No.: **7,346**

[22] Filed: **Apr. 20, 1993**

[52] U.S. Cl. .... **D8/29**

[58] Field of Search ..... **D8/21-29; 81/177.85, 177.1, 177.2, 60-63.2**

[56] **References Cited**

**U.S. PATENT DOCUMENTS**

D. 164,512	9/1951	Petit .....	D8/29
D. 333,244	2/1993	Gilley .....	D8/29
1,569,117	1/1926	Carpenter .	
1,660,989	2/1928	Carpenter .	
1,775,402	9/1930	Mandl .....	81/177
1,864,466	6/1932	Peterson .	
2,072,463	3/1937	Mims .	
2,108,866	2/1938	Mandl .	
2,721,090	10/1955	Kaman .	
2,736,562	2/1956	Blackburn .	
3,011,794	12/1961	Vaughn .	
3,018,866	1/1962	Elliott et al. .	
3,069,945	12/1962	Shandel .	
3,094,344	6/1963	Varga .	
3,156,479	11/1964	Drazick .	
3,167,338	1/1965	Troike .	
3,208,318	9/1965	Roberts .	
3,515,399	6/1970	Wordsworth .	
3,613,221	10/1971	Pronk .	
3,777,596	12/1973	Smyers et al. .	
3,822,074	7/1974	Welcker .	
3,890,051	6/1975	Biek .	
4,367,663	1/1983	Merics .	
4,399,722	8/1983	Sardo, Jr. .	

4,420,995	12/1983	Roberts .	
4,480,511	11/1984	Nickipuck .....	81/177
4,508,005	4/1985	Herman et al. ....	81/177.85
4,571,113	2/1986	Coren .....	81/177.85 X
4,583,430	4/1986	Farley .....	81/177.85
4,627,761	12/1986	Olson et al. .	
4,699,029	10/1987	Kelly et al. ....	81/121.1
4,817,475	4/1989	Kelly et al. ....	81/121.1
4,836,708	6/1989	Chambers et al. .	
4,848,196	7/1989	Roberts .....	81/177.85
4,917,003	4/1990	Kollross .	
4,932,293	6/1990	Goff .	

**FOREIGN PATENT DOCUMENTS**

0066710	12/1982	European Pat. Off. .
847209	10/1939	France .
2121316	9/1972	Germany .

**OTHER PUBLICATIONS**

Ingersoll-Rand, "Lightweight Riveters and Hammer", Professional Tools 1982.

*Primary Examiner*—Prabhakar G. Deshmukh

*Assistant Examiner*—Mitchell I. Siegel

*Attorney, Agent, or Firm*—Willian Brinks Hofer Gilson & Lione

[57] **CLAIM**

The ornamental design for a quick release mechanism actuator for tools such as socket wrenches, as shown and described.

**DESCRIPTION**

FIG. 1 is a front elevational view of a quick release mechanism actuator for tools such as socket wrenches, showing our new design;

FIG. 2 is a rear elevational view thereof;

FIG. 3 is a left side elevational view thereof;

FIG. 4 is a right side elevational view thereof;

FIG. 5 is a bottom view thereof; and,

FIG. 6 is a top view thereof.

The broken line showing of a drive stud is for illustrative purposes only and forms no part of the claimed design.

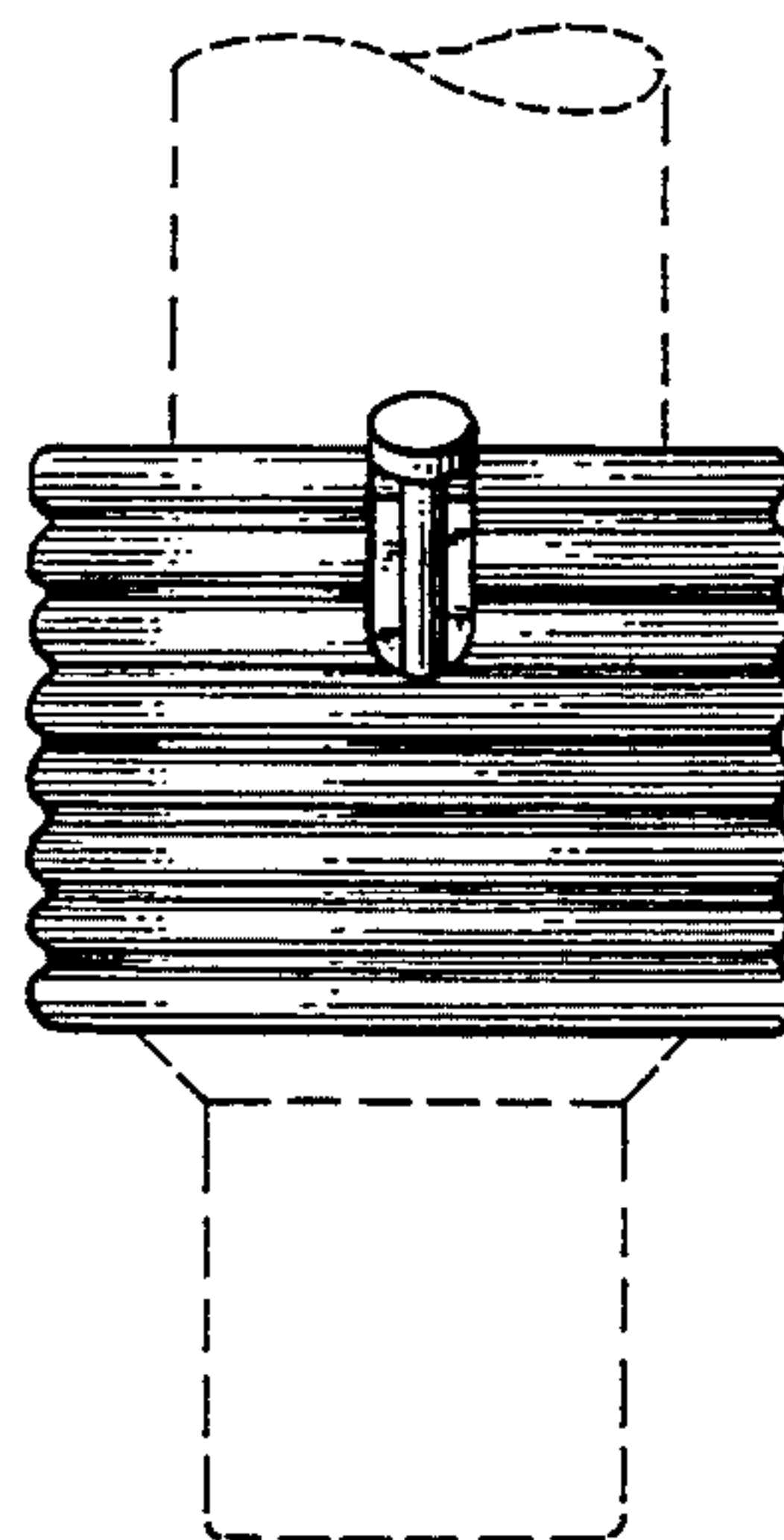
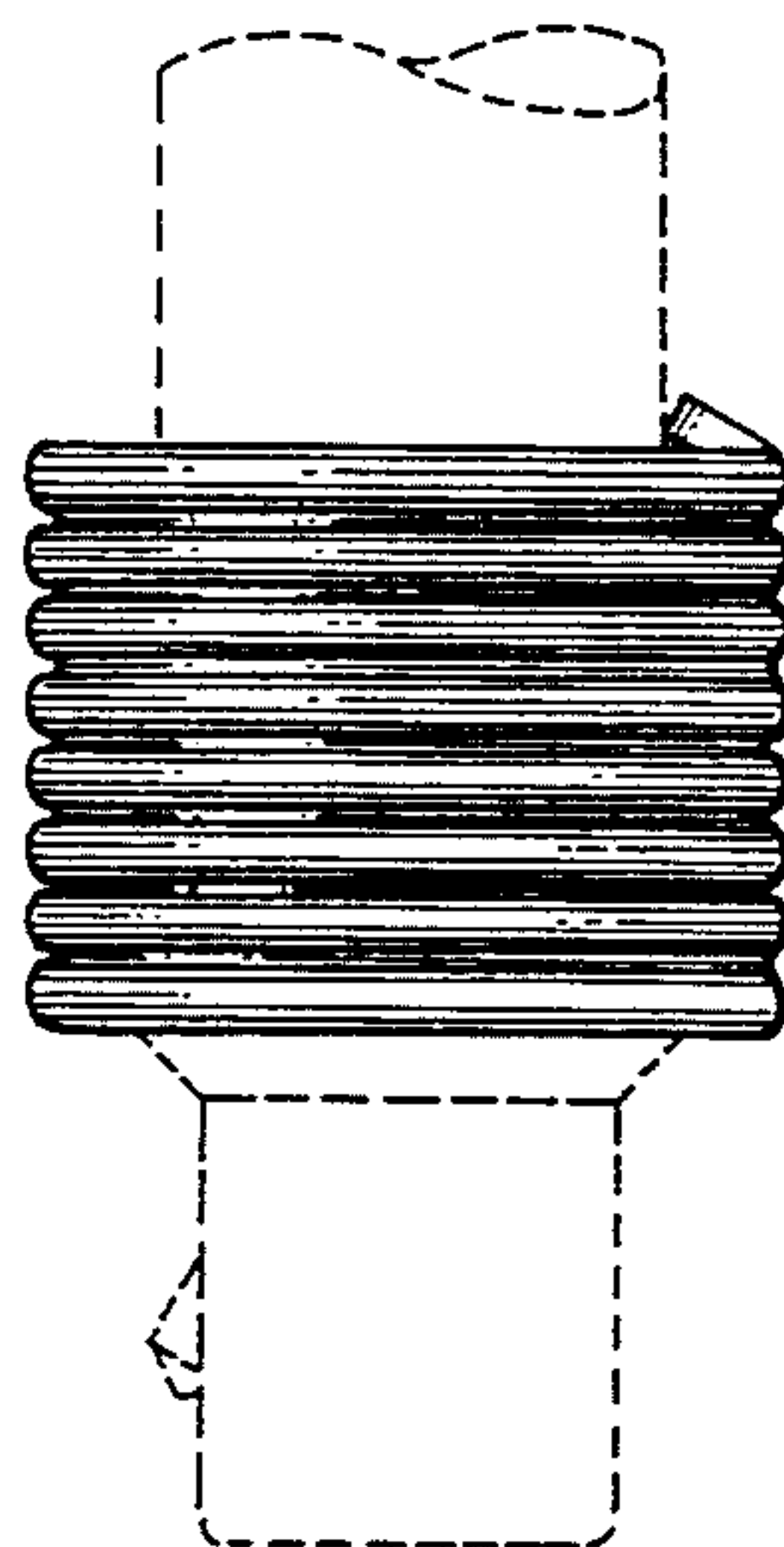


FIG. 1

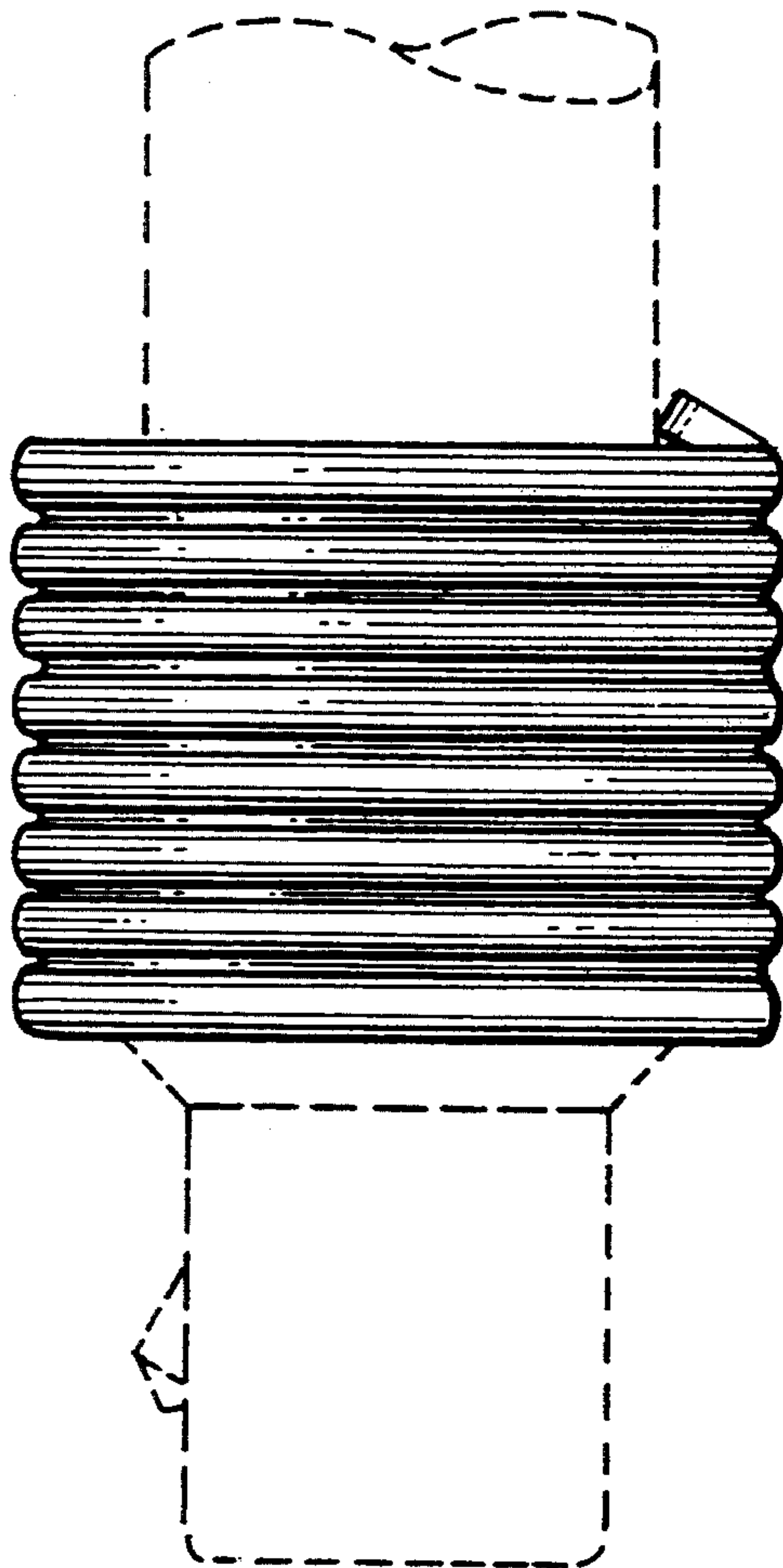


FIG. 2

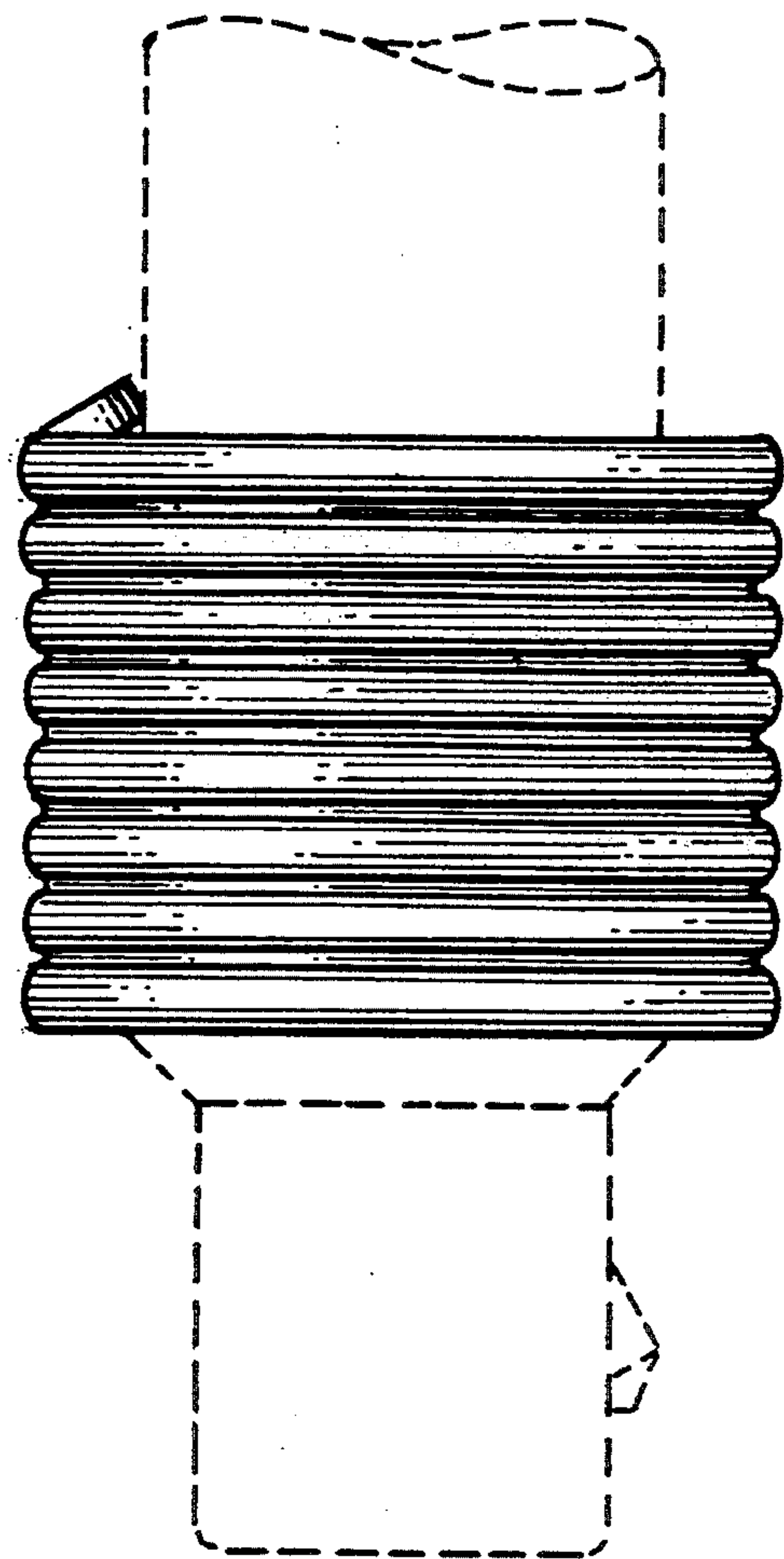


FIG. 3

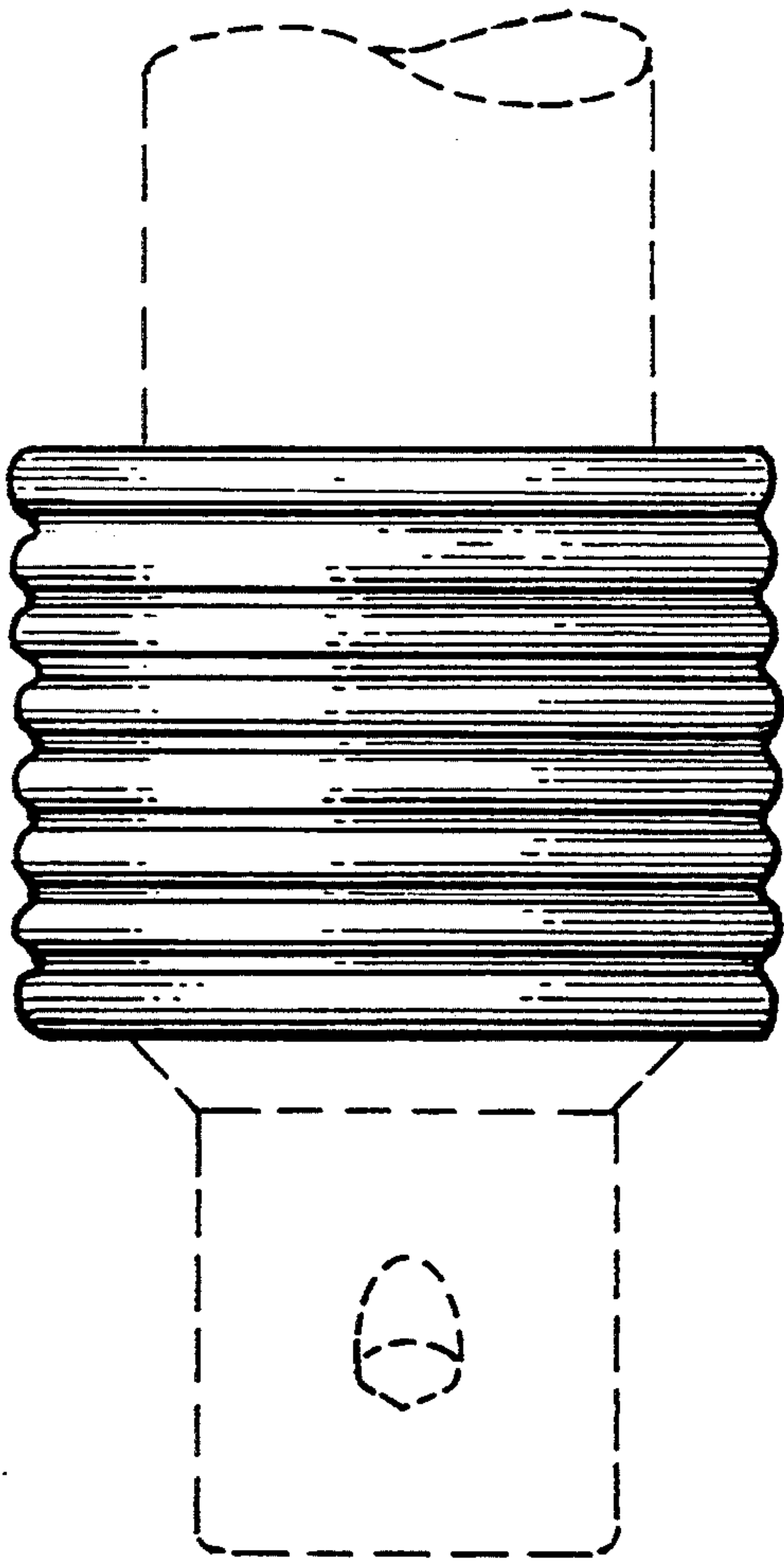


FIG. 6

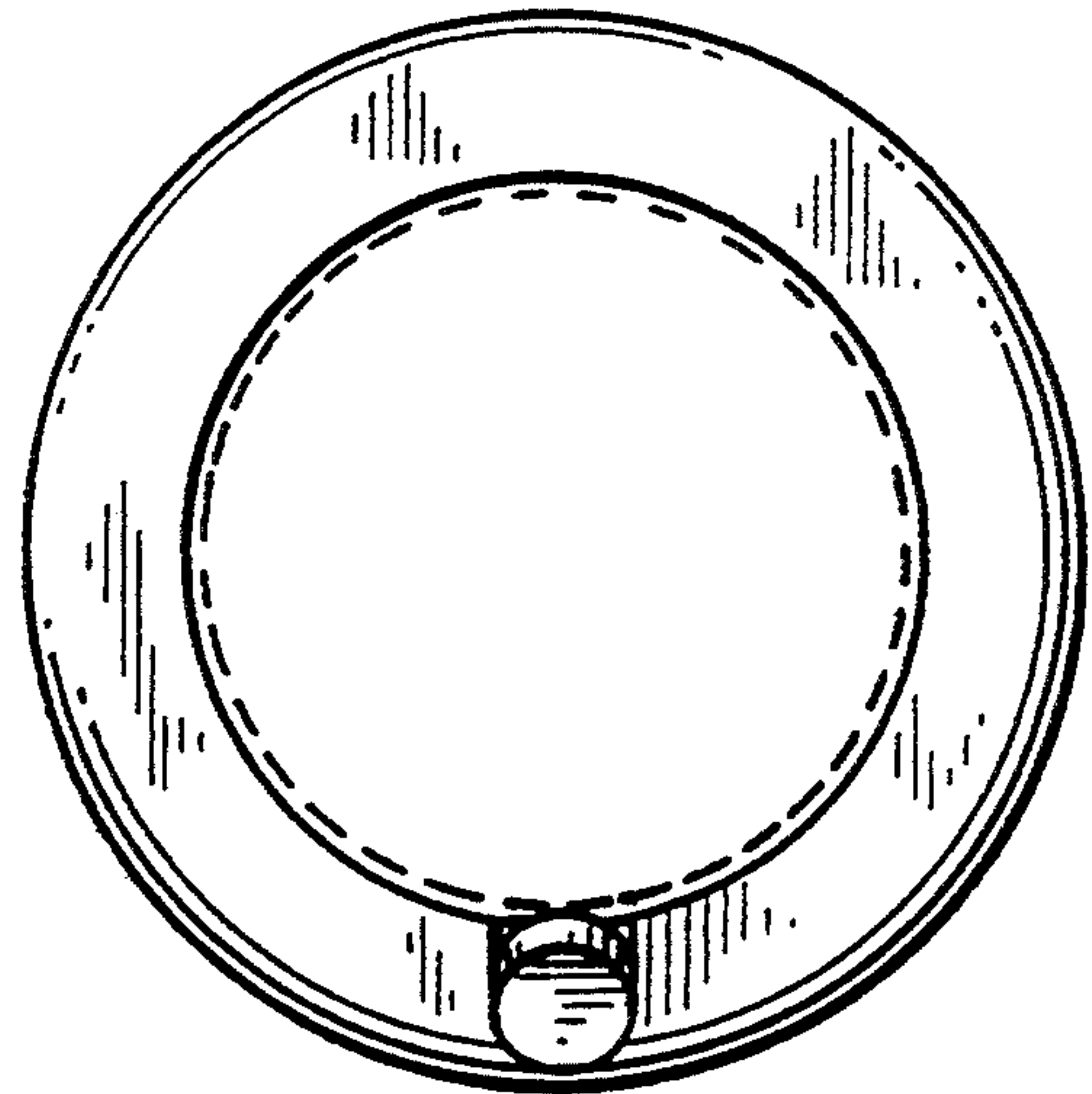


FIG. 4

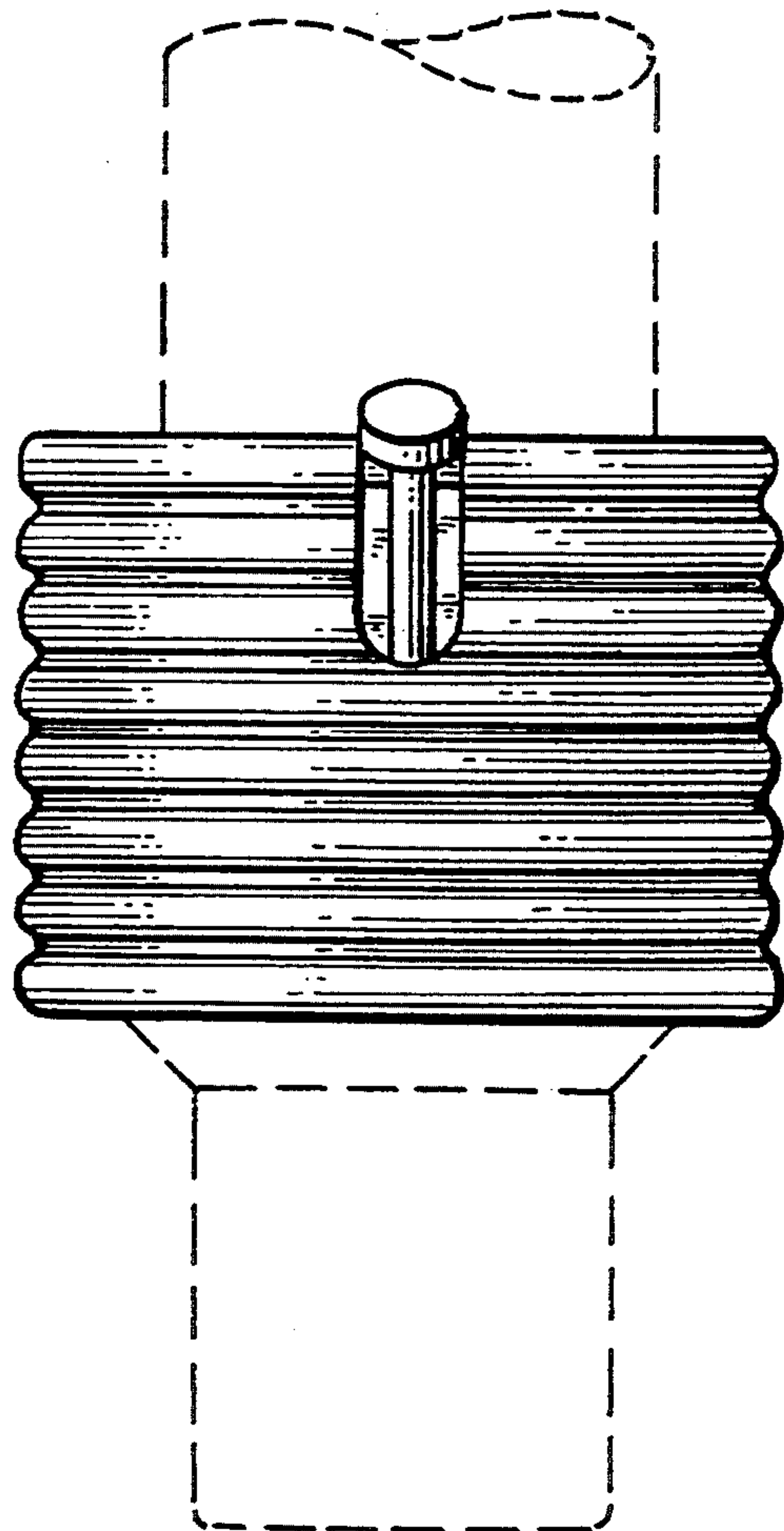


FIG. 5

