



US00D359661S

United States Patent [19]

[11] **Patent Number: Des. 359,661**

Joergensen

[45] **Date of Patent: ** Jun. 27, 1995**

[54] **CONDIMENT GRINDER**

[56] **References Cited**

[75] **Inventor: Carsten Joergensen, Kriens, Switzerland**

U.S. PATENT DOCUMENTS

D. 8,597 9/1875 Girard D7/679
3,329,318 7/1967 Swett et al. D7/679 X

[73] **Assignee: PI-Design, Triegen, Switzerland**

Primary Examiner—Terry A. Wallace
Attorney, Agent, or Firm—J. W. Gipple

[**] **Term: 14 Years**

[57] **CLAIM**

The ornamental design for a condiment grinder, as shown and described.

[21] **Appl. No.: 15,201**

DESCRIPTION

[22] **Filed: Nov. 10, 1993**

FIG. 1 is a side elevation view of a condiment grinder showing my new design;

[52] **U.S. Cl. D7/679**

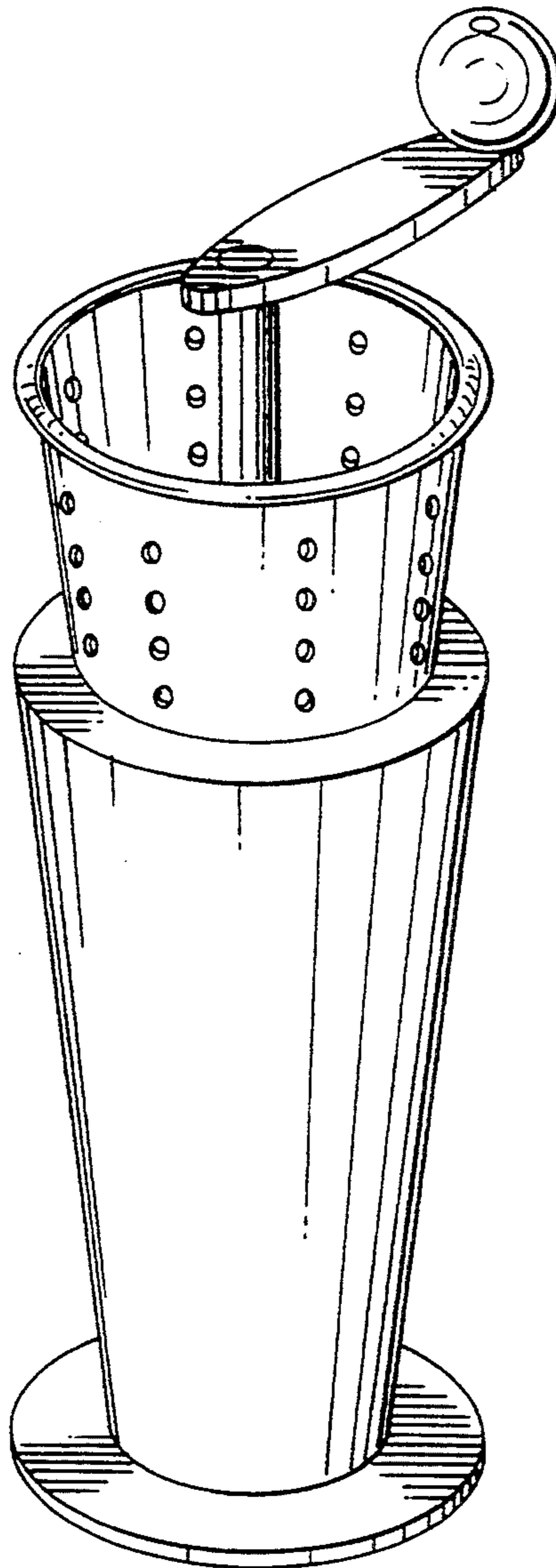
FIG. 2 is a top plan view thereof;

[58] **Field of Search D7/590-597,**

FIG. 3 is a bottom plan view thereof; and,

D7/679; 222/142.1-142.9; 241/95, 101.01, 168, 169, 169.1, DIG. 17, DIG. 27

FIG. 4 is a perspective view thereof.



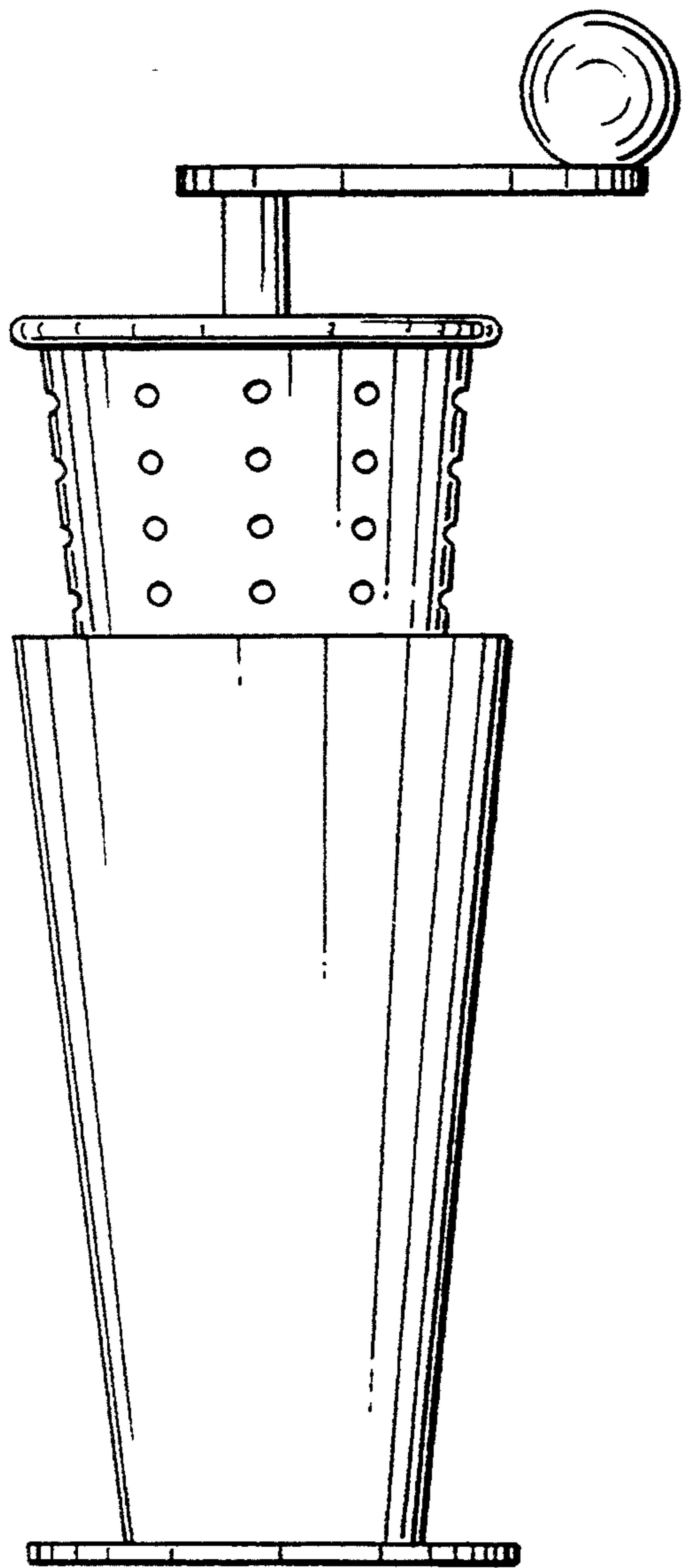


Fig. 1

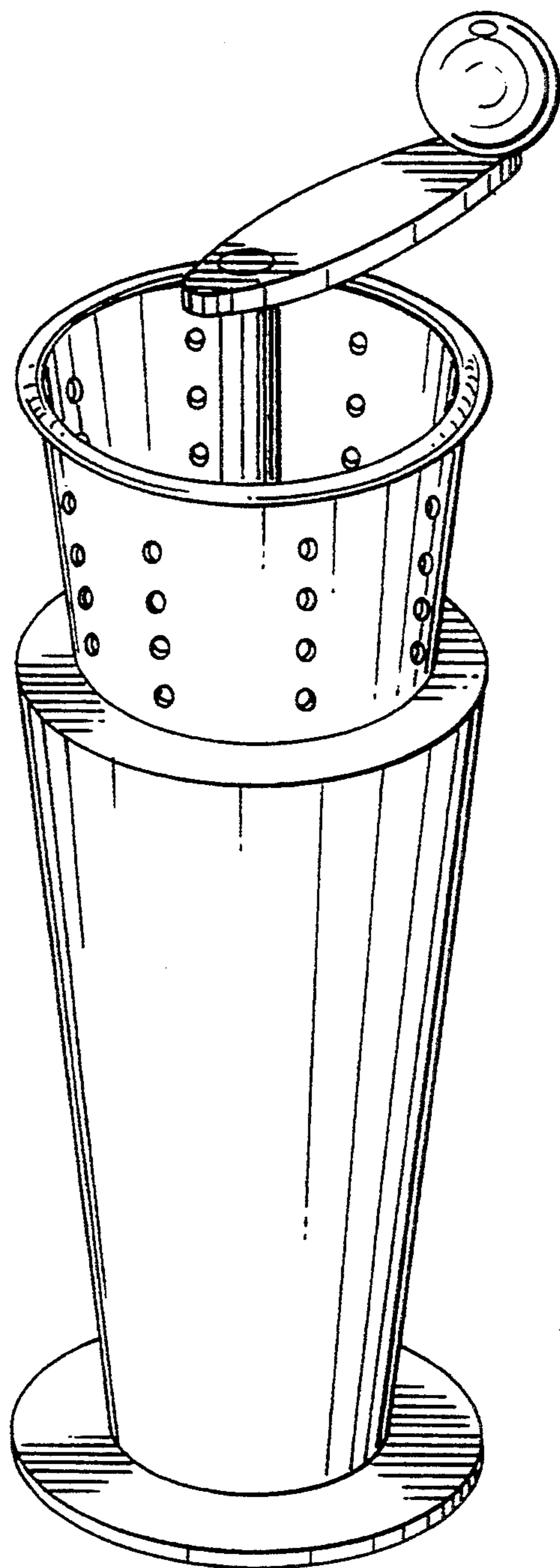


Fig. 4

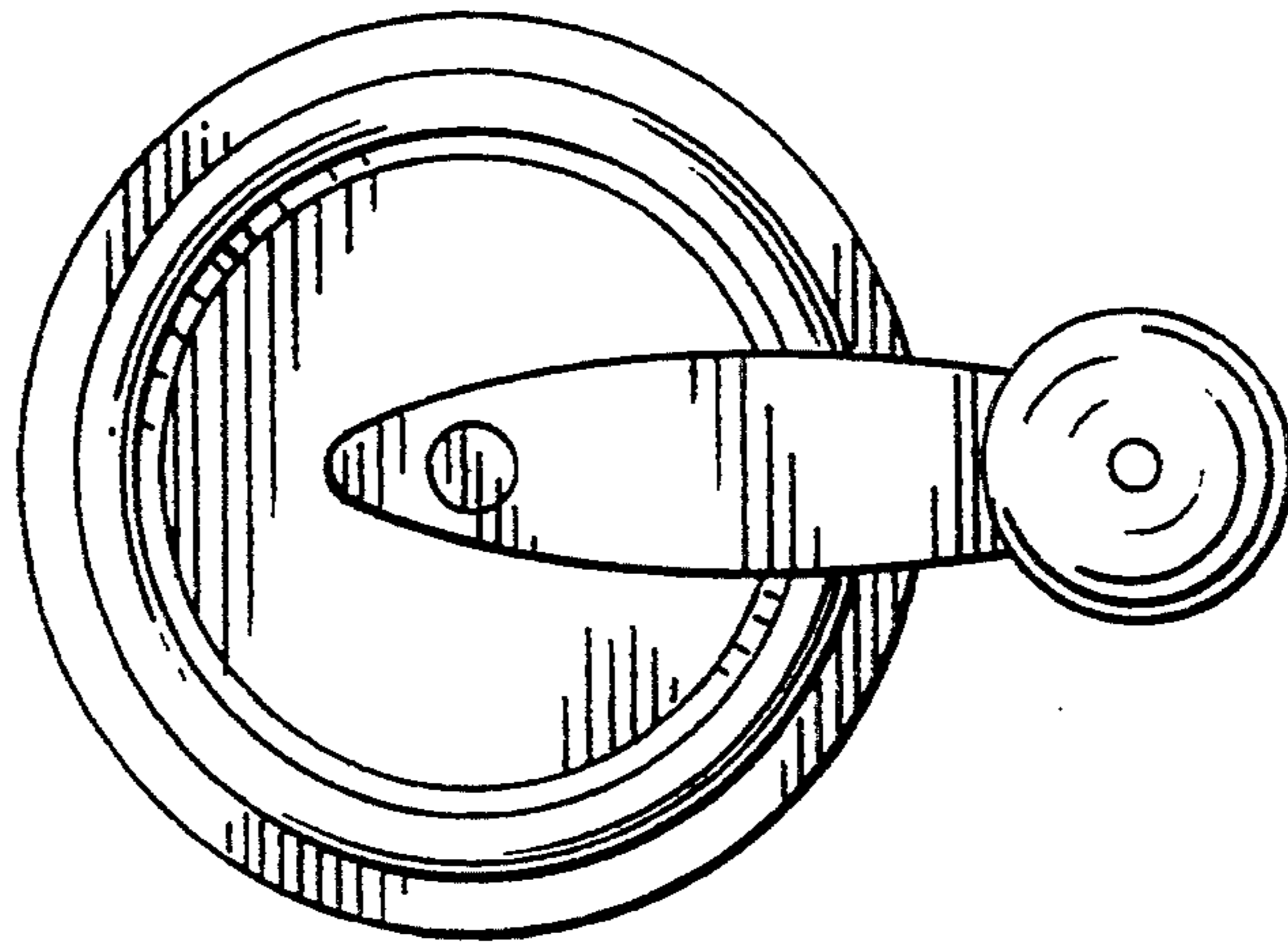


Fig. 2

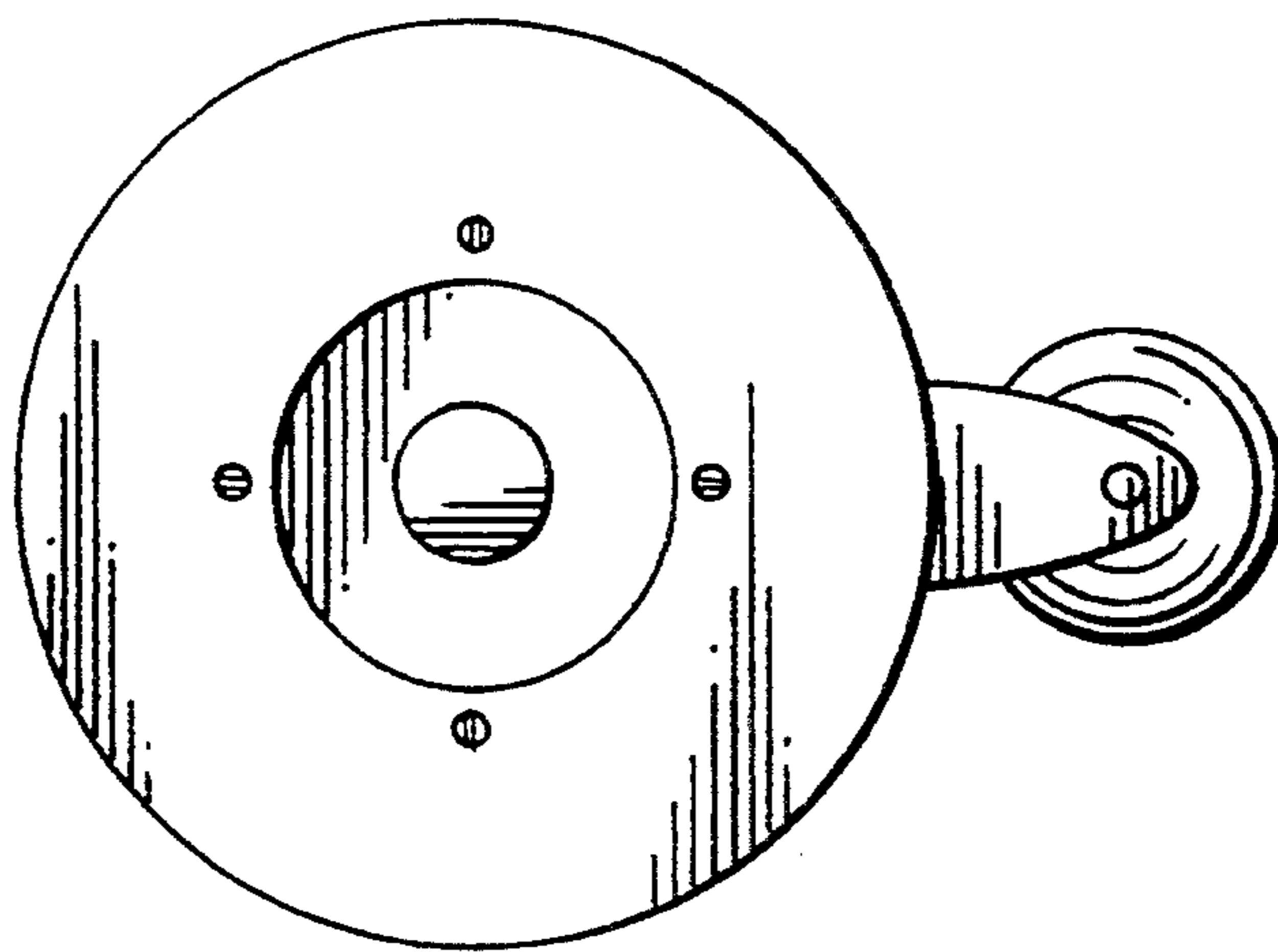


Fig. 3