



US00D359658S

United States Patent [19]
Cook

[11] **Patent Number: Des. 359,658**
[45] **Date of Patent: ** Jun. 27, 1995**

[54] **LUNCH BOX**

D. 290,080 6/1987 Carlson D7/605
5,329,787 7/1994 Friday 62/457.1 X

[76] **Inventor: Ollie L. Cook, 7913 Date St.,
Fontana, Calif. 92336**

Primary Examiner—Terry A. Wallace

[**] **Term: 14 Years**

[57] **CLAIM**

[21] **Appl. No.: 19,273**

The ornamental design for a lunch box, as shown and described.

[22] **Filed: Feb. 28, 1994**

DESCRIPTION

[52] **U.S. Cl. D7/629; D7/605**

[58] **Field of Search D7/605-608,
D7/709; D3/273-274, 276; 62/457.1, 457.7,
457.8, 371; 220/410, 412; 206/223, 541**

FIG. 1 is a front elevational view of the lunch box showing my new design;

FIG. 2 is a rear elevational view thereof;

FIG. 3 is a left side elevational view thereof;

FIG. 4 is a right side elevational view thereof;

FIG. 5 is a top plan view thereof; and,

FIG. 6 is a bottom plan view thereof; and,

FIG. 7 is an isometric view thereof.

[56] **References Cited**

U.S. PATENT DOCUMENTS

D. 180,490 6/1957 Lunan D7/605 X

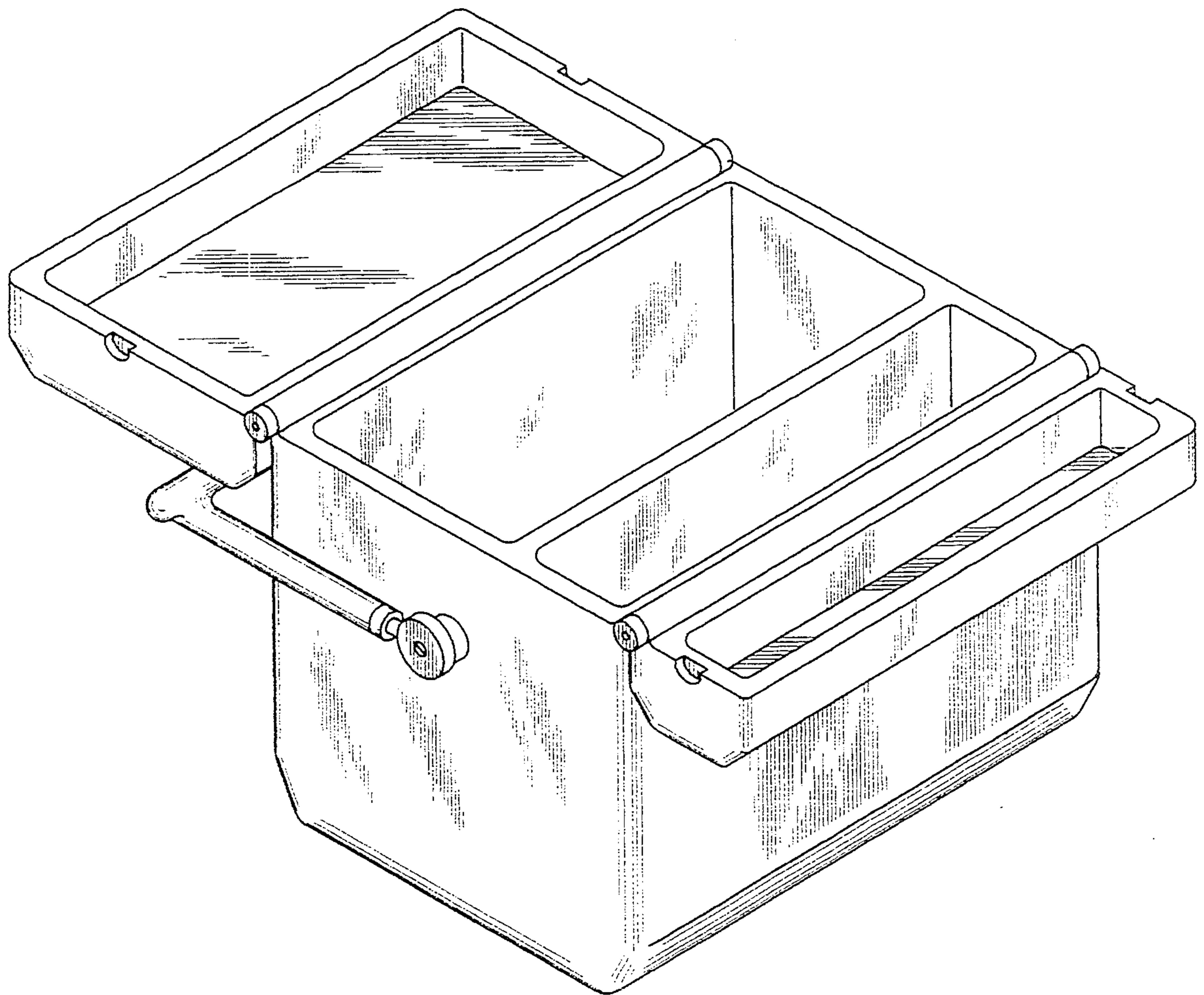


FIG. 1

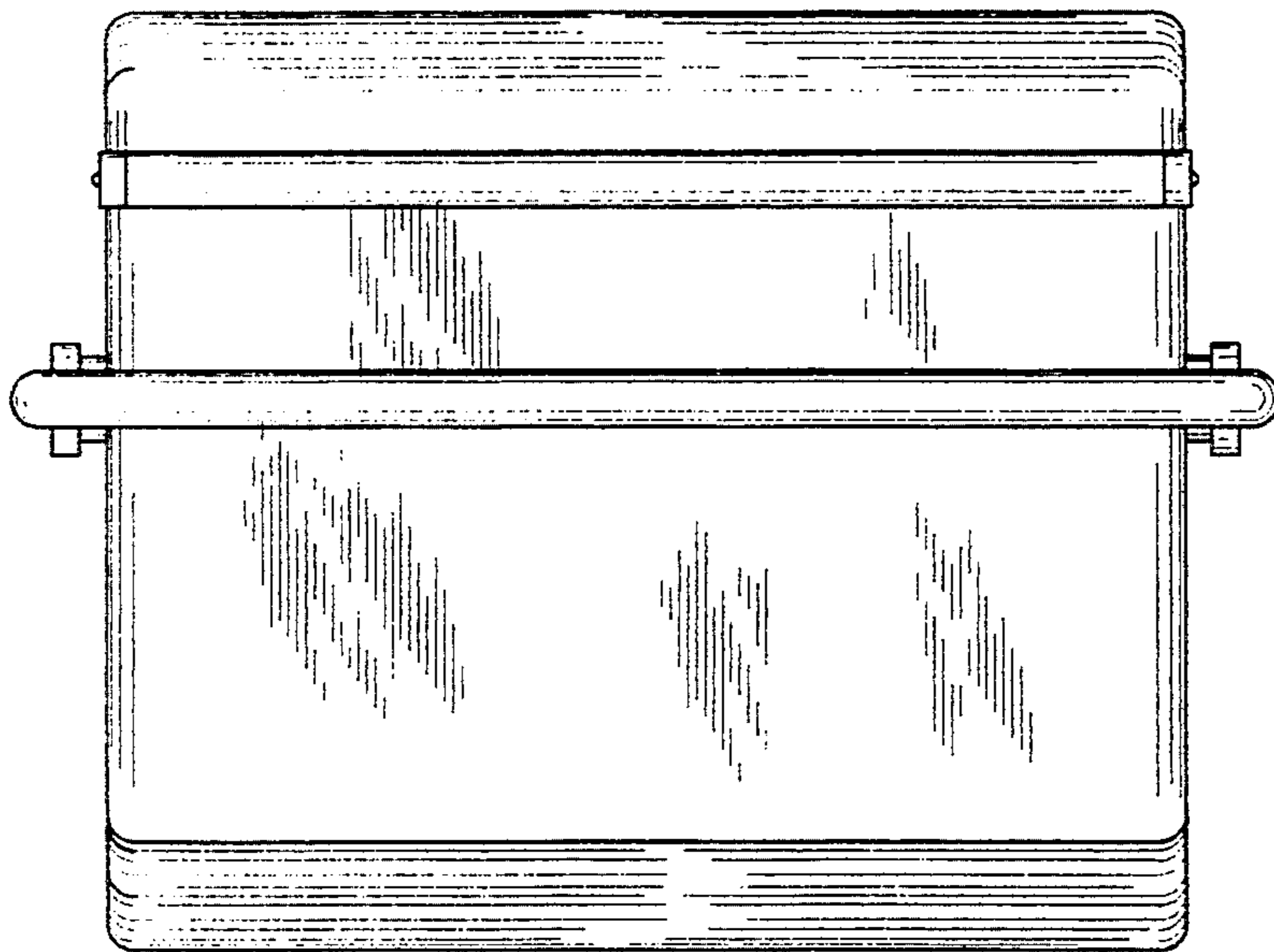


FIG. 2

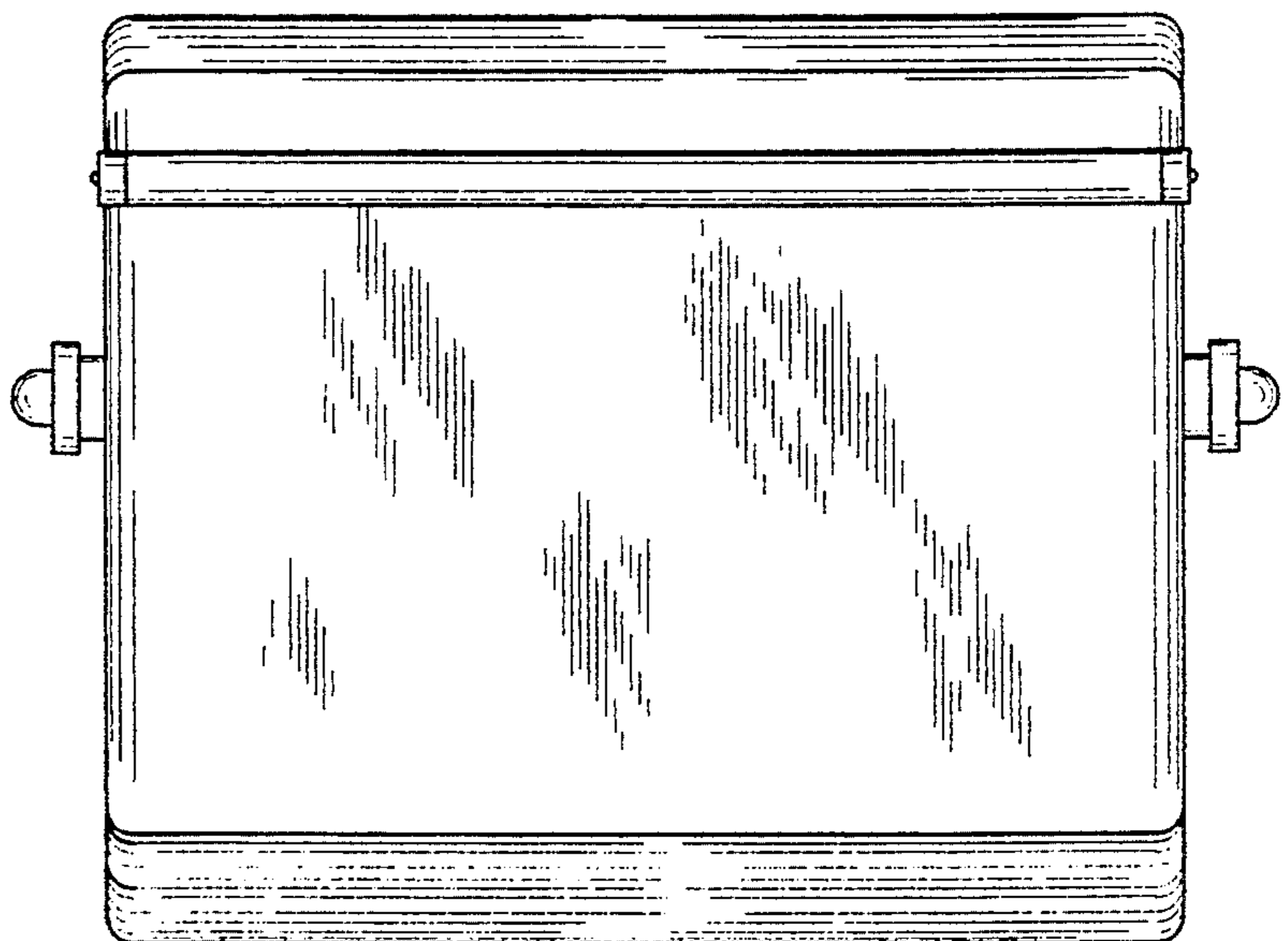


FIG. 3

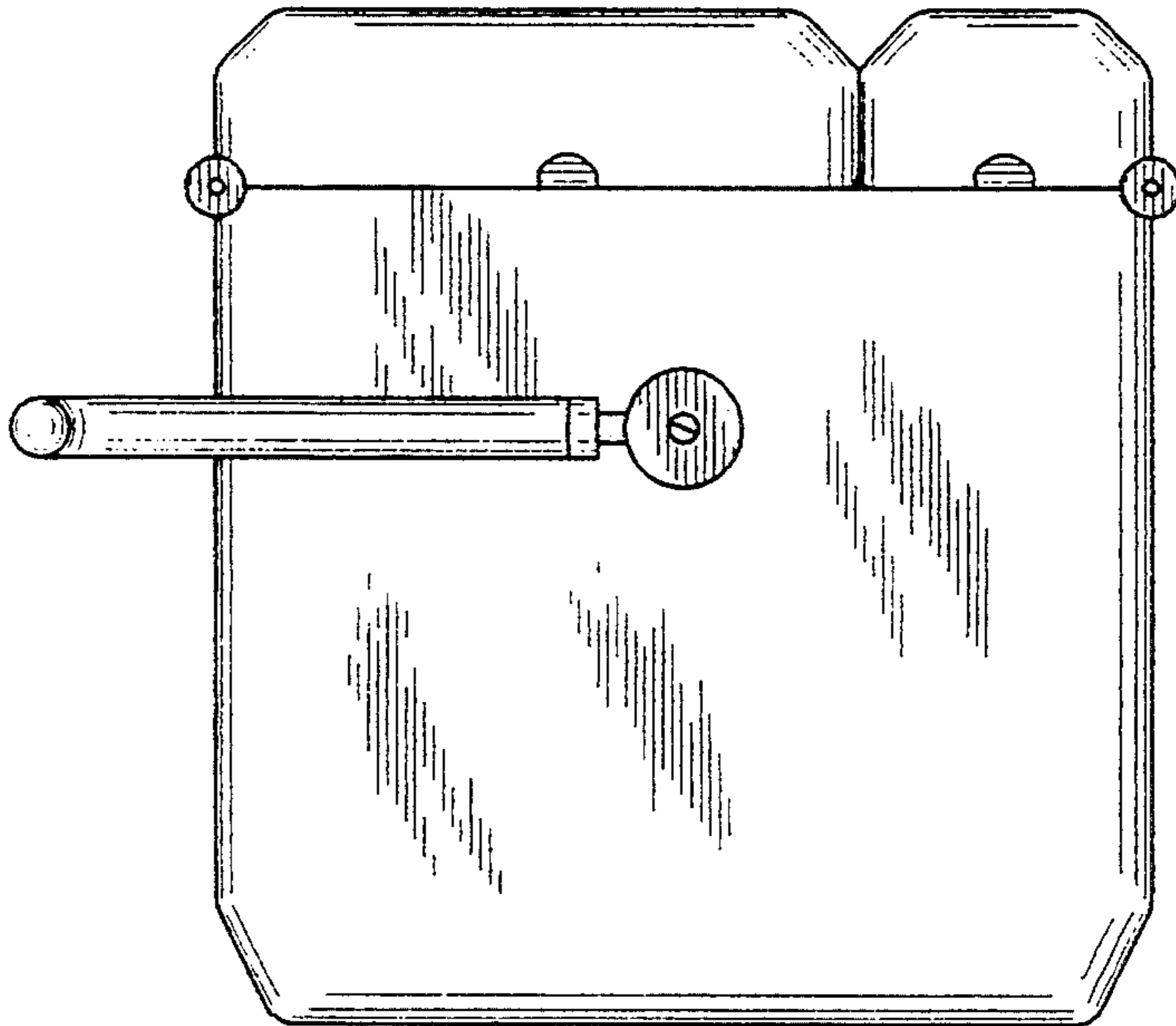


FIG. 4

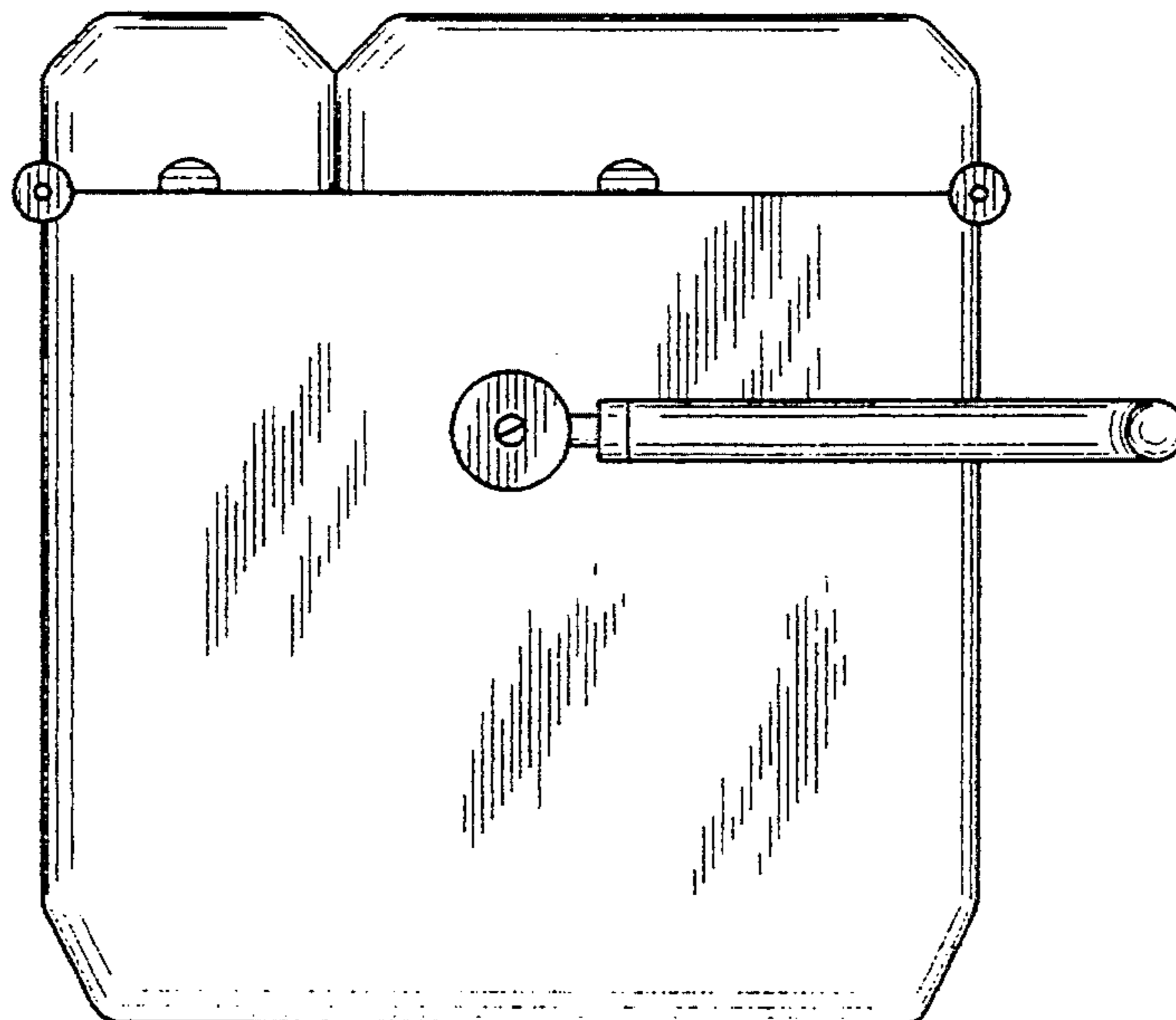


FIG. 5

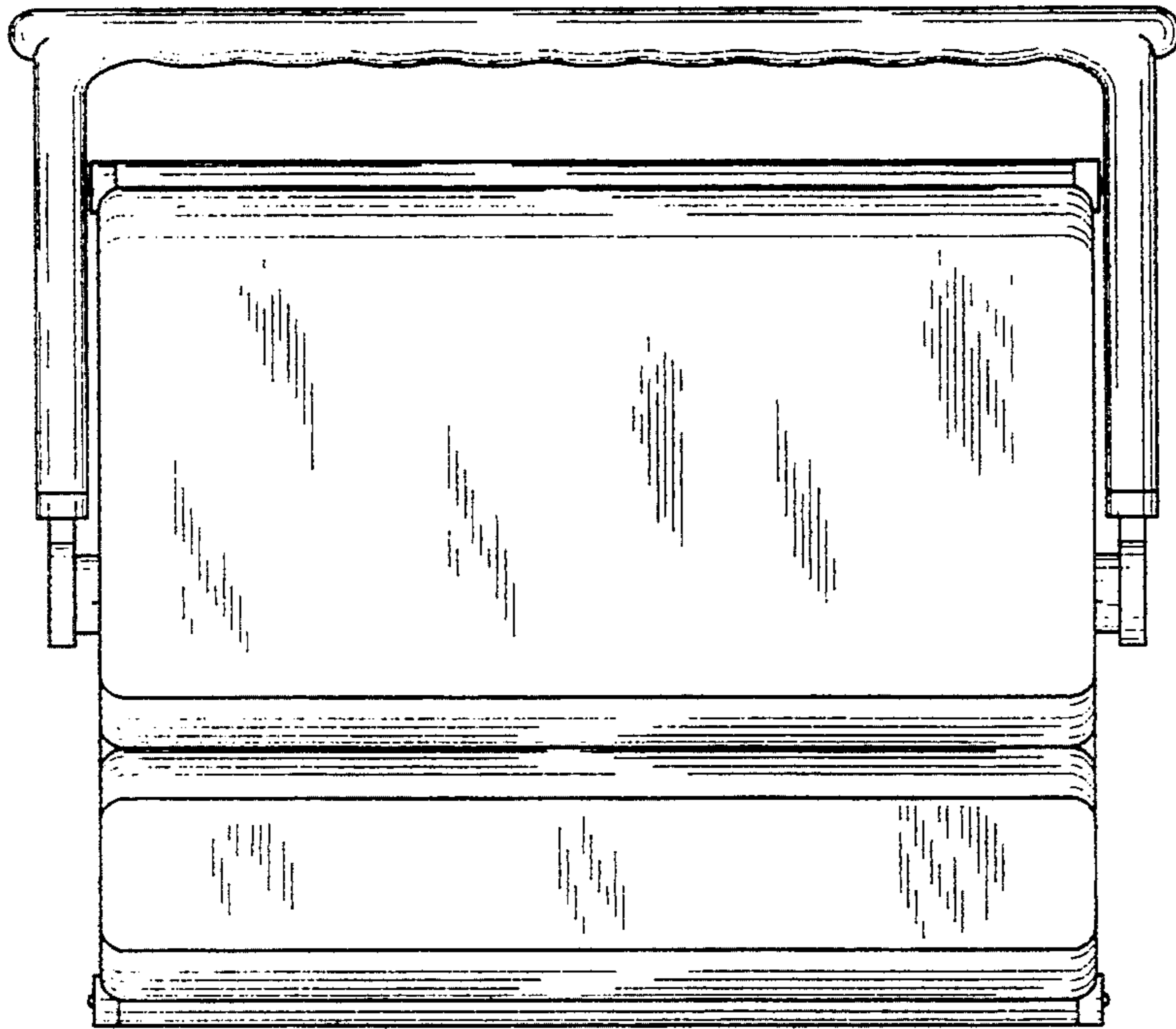


FIG. 6

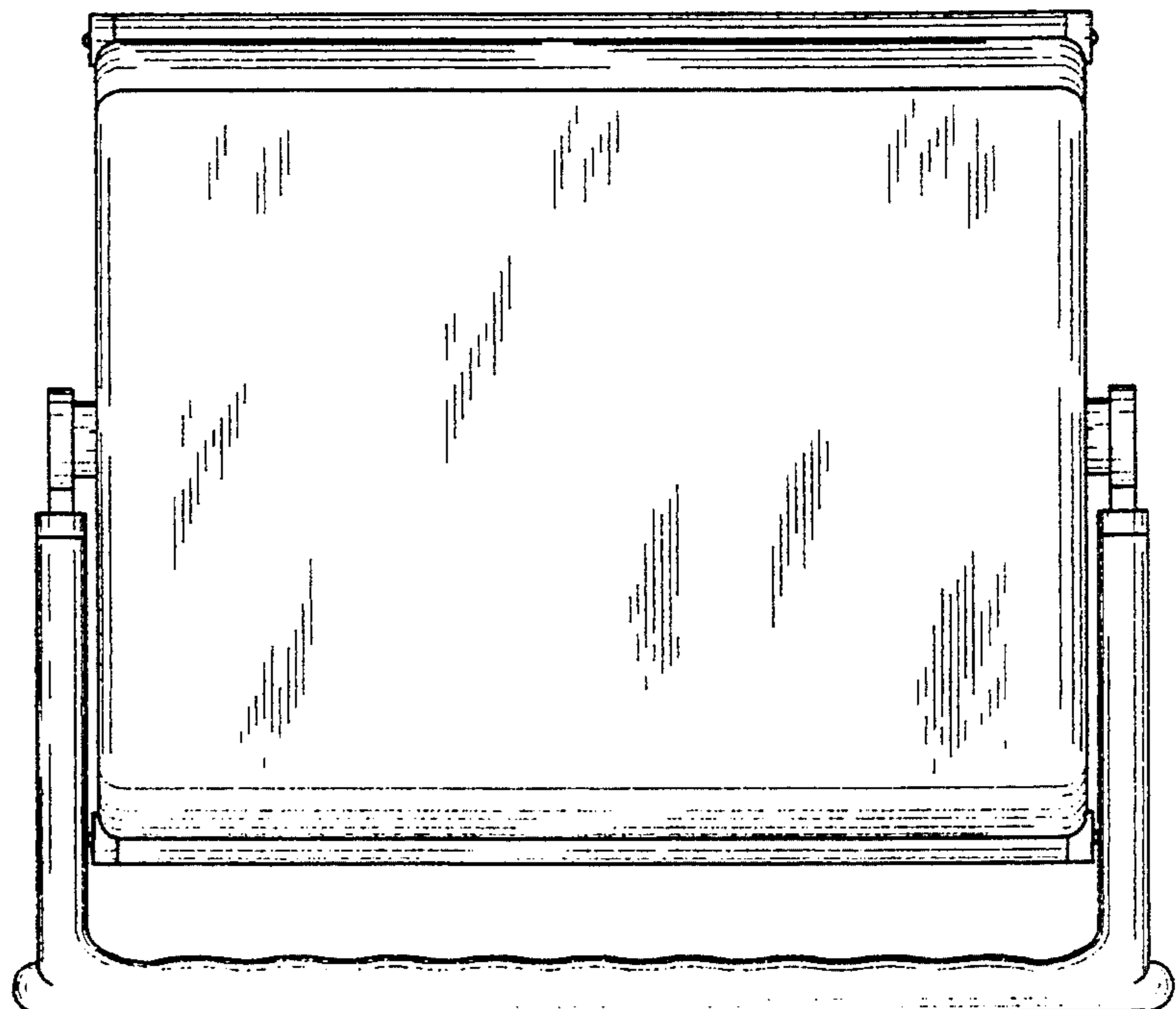


FIG. 7

