



US00D359656S

United States Patent [19]

[11] Patent Number: **Des. 359,656**

Hurst et al.

[45] Date of Patent: **** Jun. 27, 1995**

[54] **DRINK CONTAINER**

[75] Inventors: **Dwayne S. Hurst, Tampa; Charles B. Williams, Odessa, both of Fla.**

[73] Assignee: **Palomino Sports, Inc., Odessa, Fla.**

[**] Term: **14 Years**

[21] Appl. No.: **18,605**

[22] Filed: **Feb. 9, 1994**

[52] U.S. Cl. **D7/515; D7/514; D9/307**

[58] Field of Search **D7/536, 514, 515, 509, D7/510, 511, 517, 559, 533, 563, 564, 613, 623, 539; D9/572, 573, 307, 309; D24/198; D27/120, 118; D11/81, 82**

[56] **References Cited**

U.S. PATENT DOCUMENTS

- D. 17,365 1/1887 Poplus D7/307
- D. 89,223 2/1933 Straub et al. D9/573
- D. 91,392 1/1934 Hale et al. D9/573 X
- D. 94,198 1/1935 Fuerst D9/573 X

- D. 177,022 3/1956 Collinet D7/623
- D. 187,401 3/1960 Whittle D9/307
- D. 215,200 9/1969 Dobyms D9/307
- D. 259,020 4/1981 Beguin D9/527 X
- D. 268,326 3/1983 Witt, Jr. D9/307
- D. 269,498 6/1983 Witt, Jr. D9/307
- D. 328,688 8/1992 Palmer et al. D7/514 X

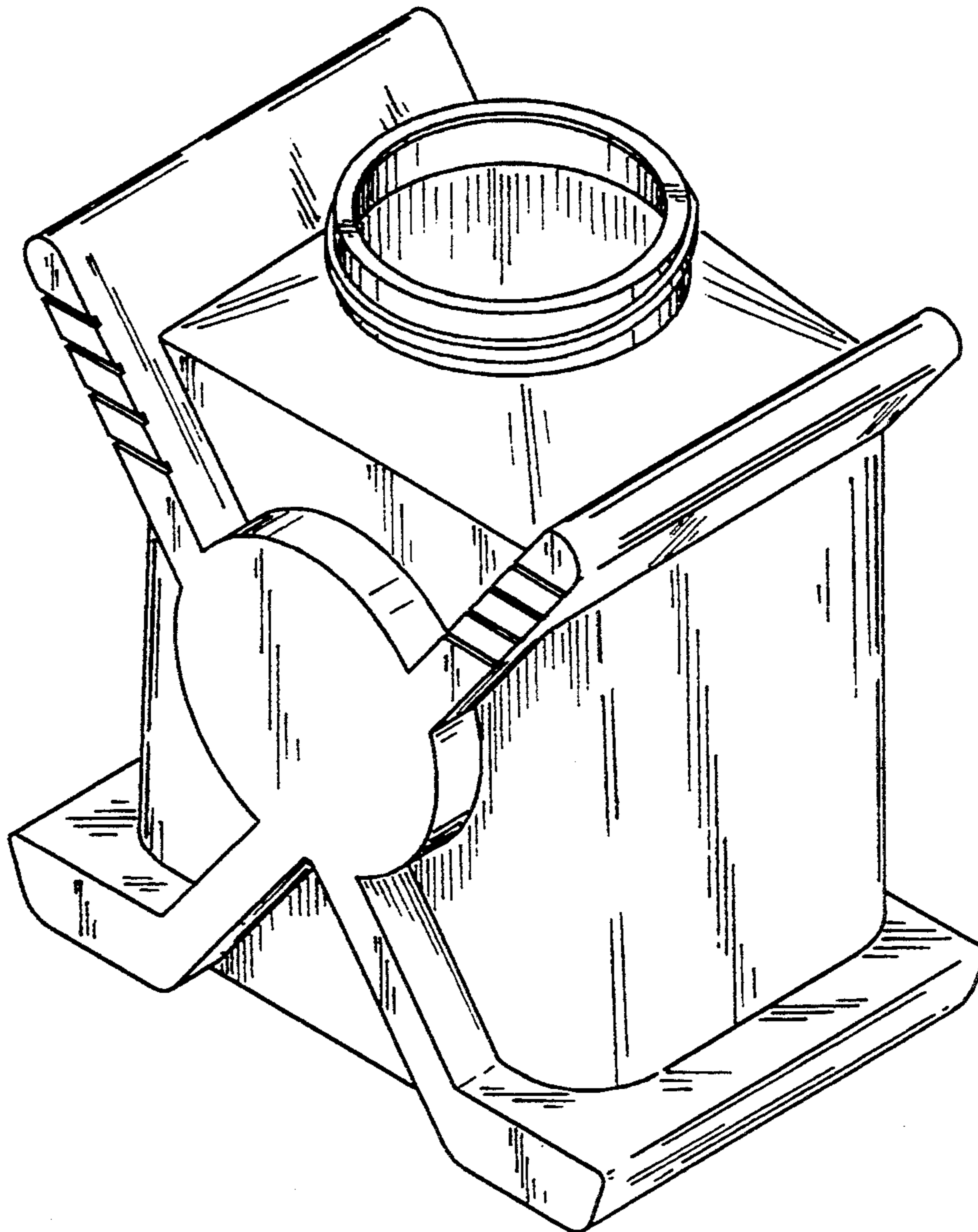
Primary Examiner—Alan P. Douglas
Assistant Examiner—M. N. Pandozzi
Attorney, Agent, or Firm—Pettis & McDonald

[57] **CLAIM**

The ornamental design for a drink container, as shown.

DESCRIPTION

FIG. 1 is an upper front perspective view of the drink container of this invention;
FIG. 2 is a front elevational view thereof;
FIG. 3 is a rear elevational view thereof;
FIG. 4 is a left elevational view thereof;
FIG. 5 is a right elevational view thereof;
FIG. 6 is a top plan view thereof; and,
FIG. 7 is a bottom plan view thereof.



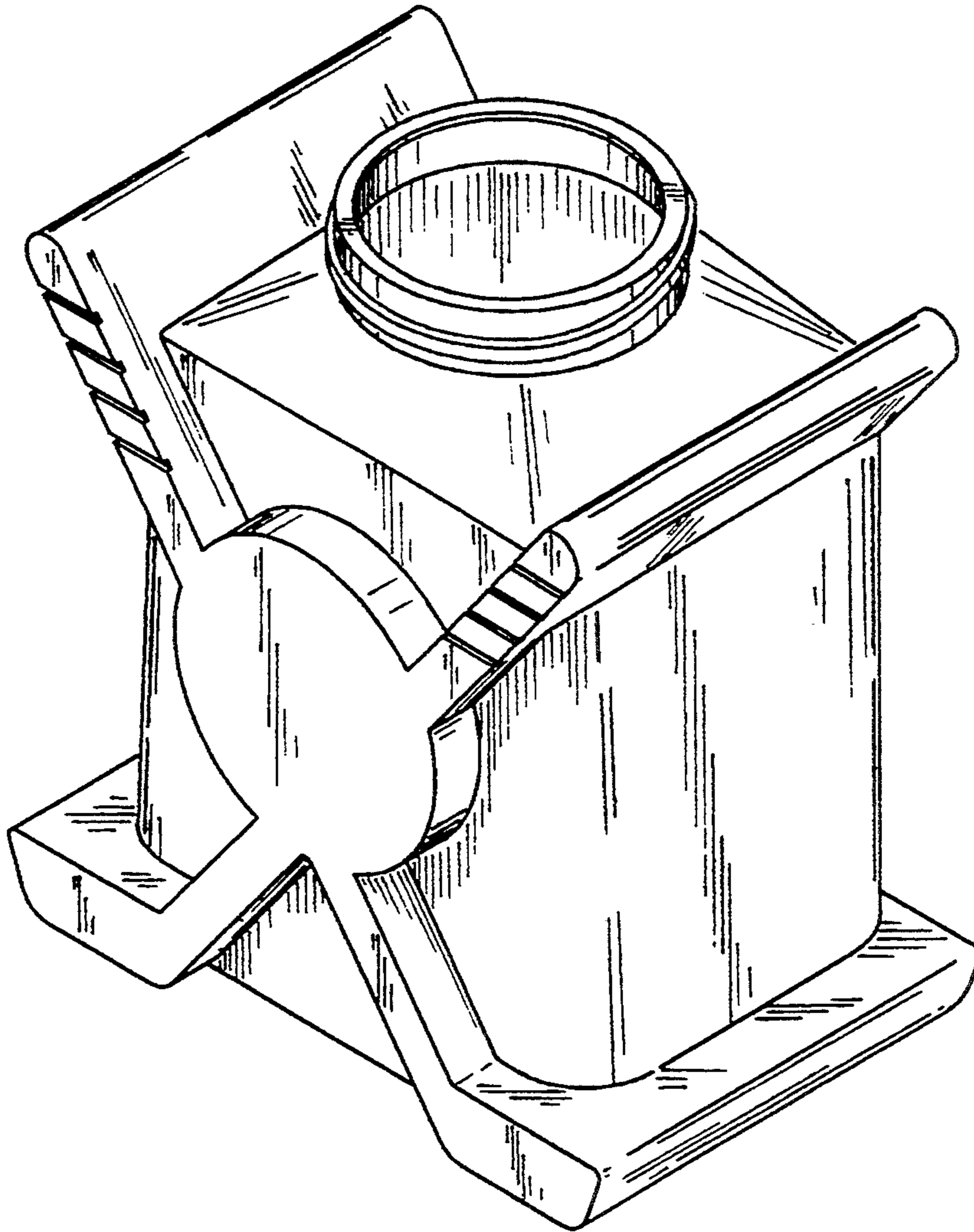


Fig. 1

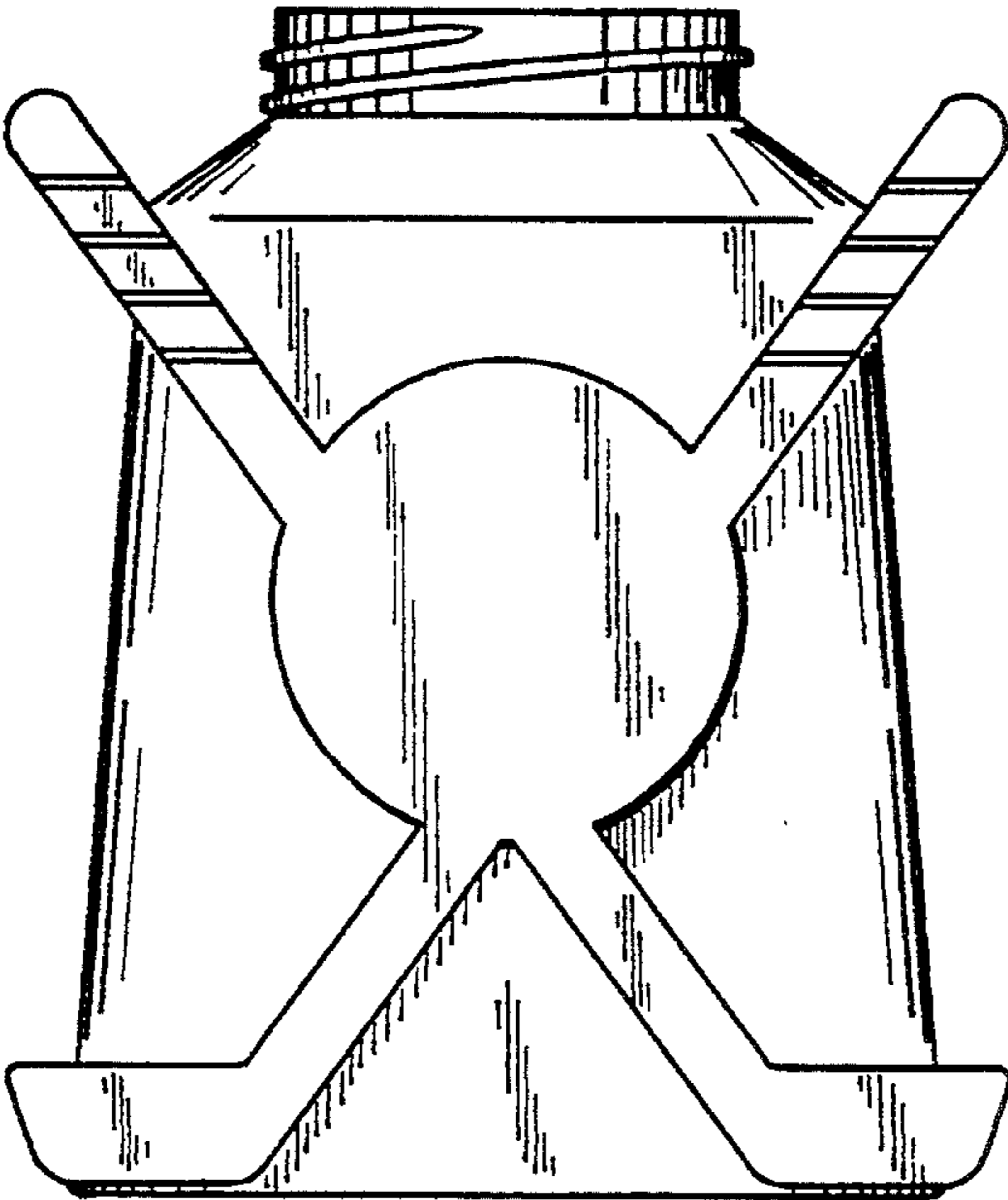


Fig. 2

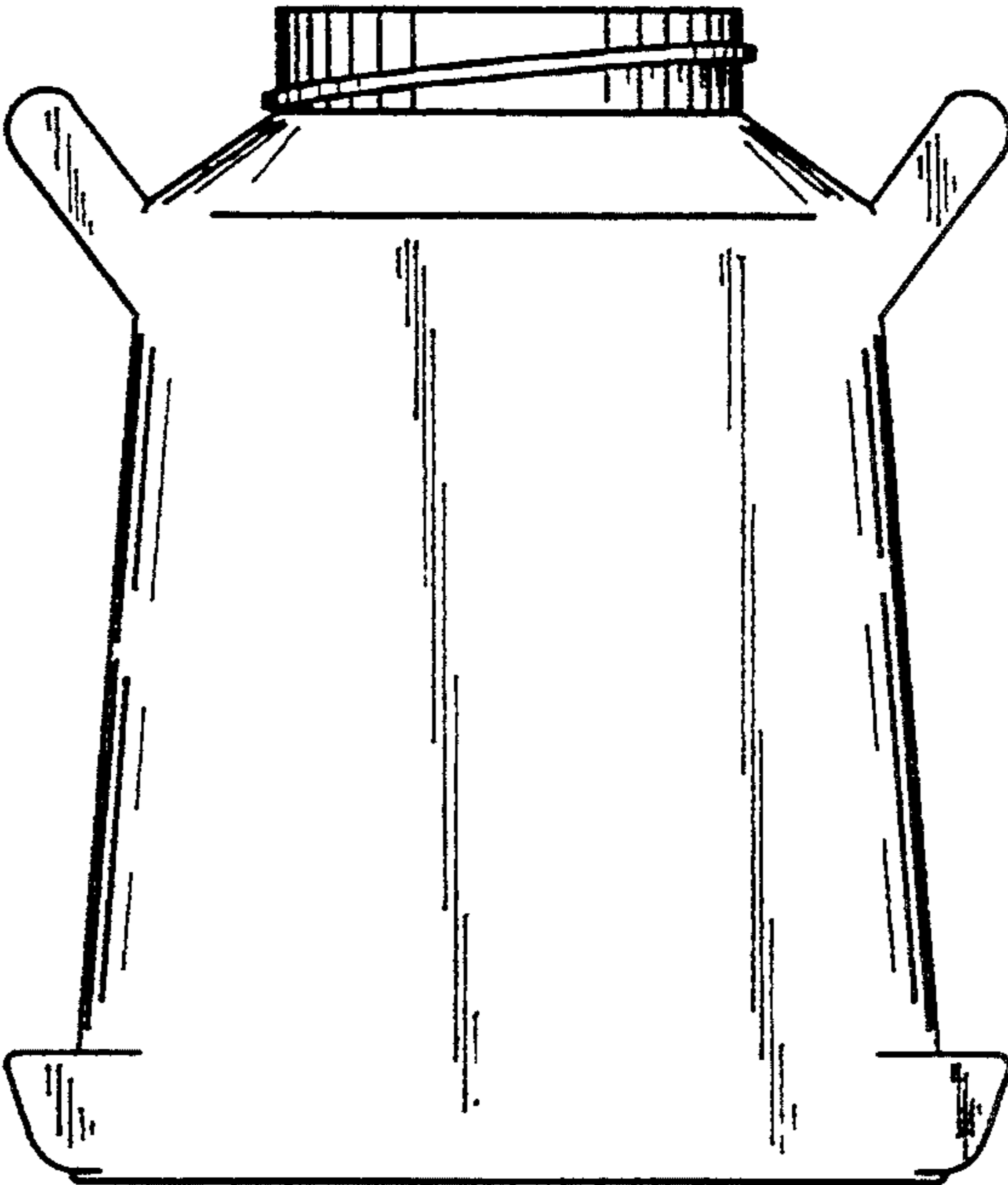


Fig. 3

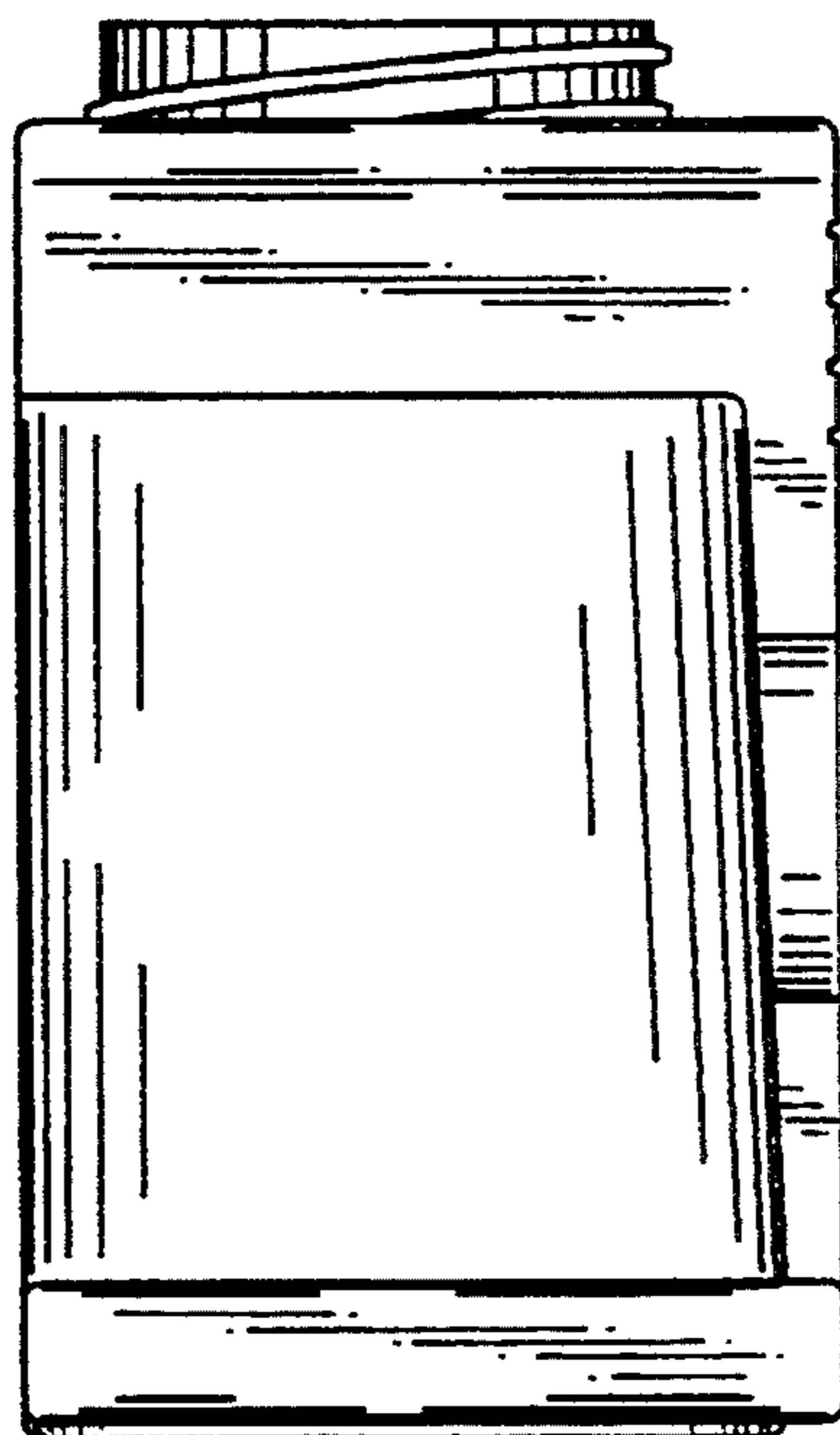


Fig. 4

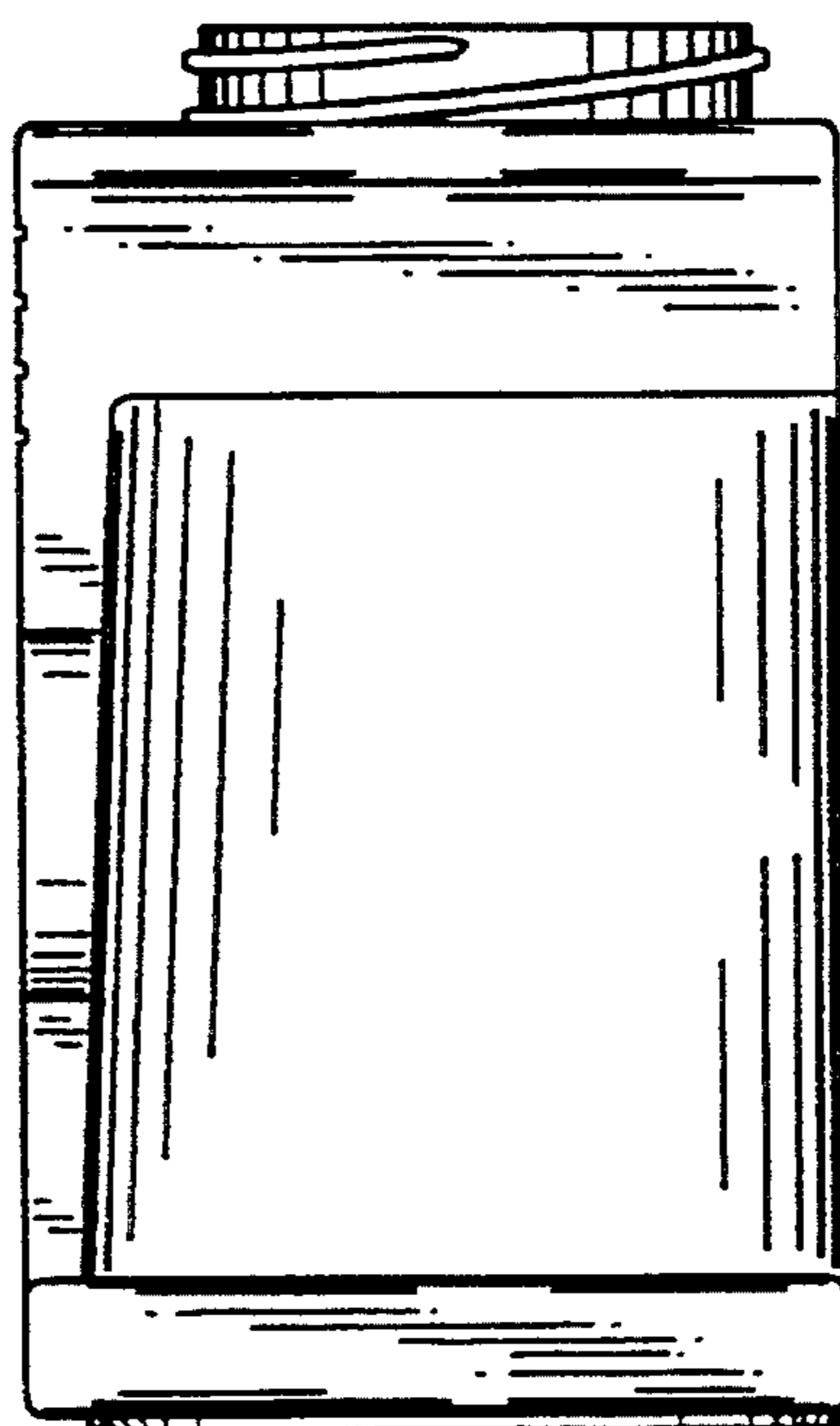


Fig. 5

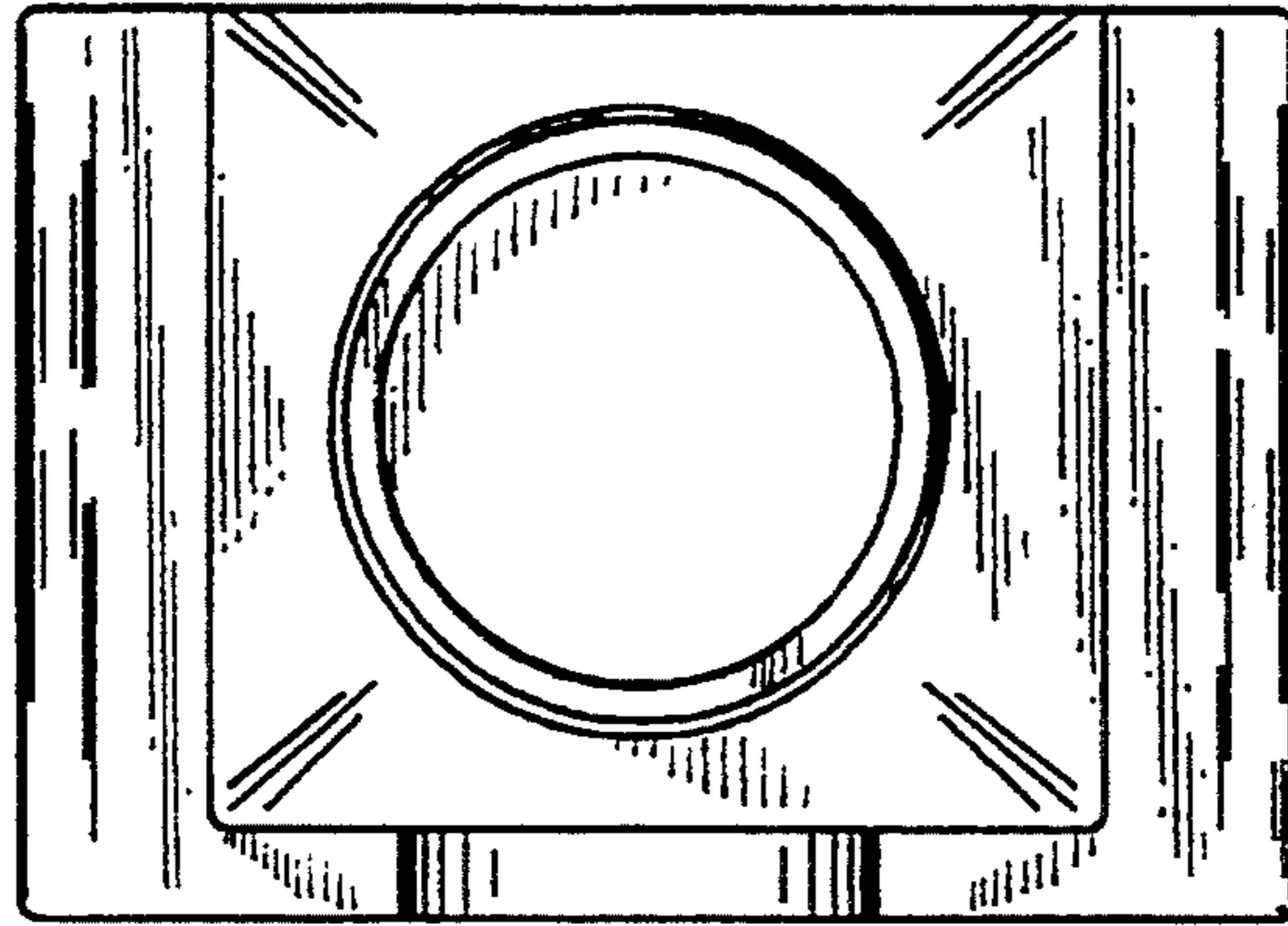


Fig. 6

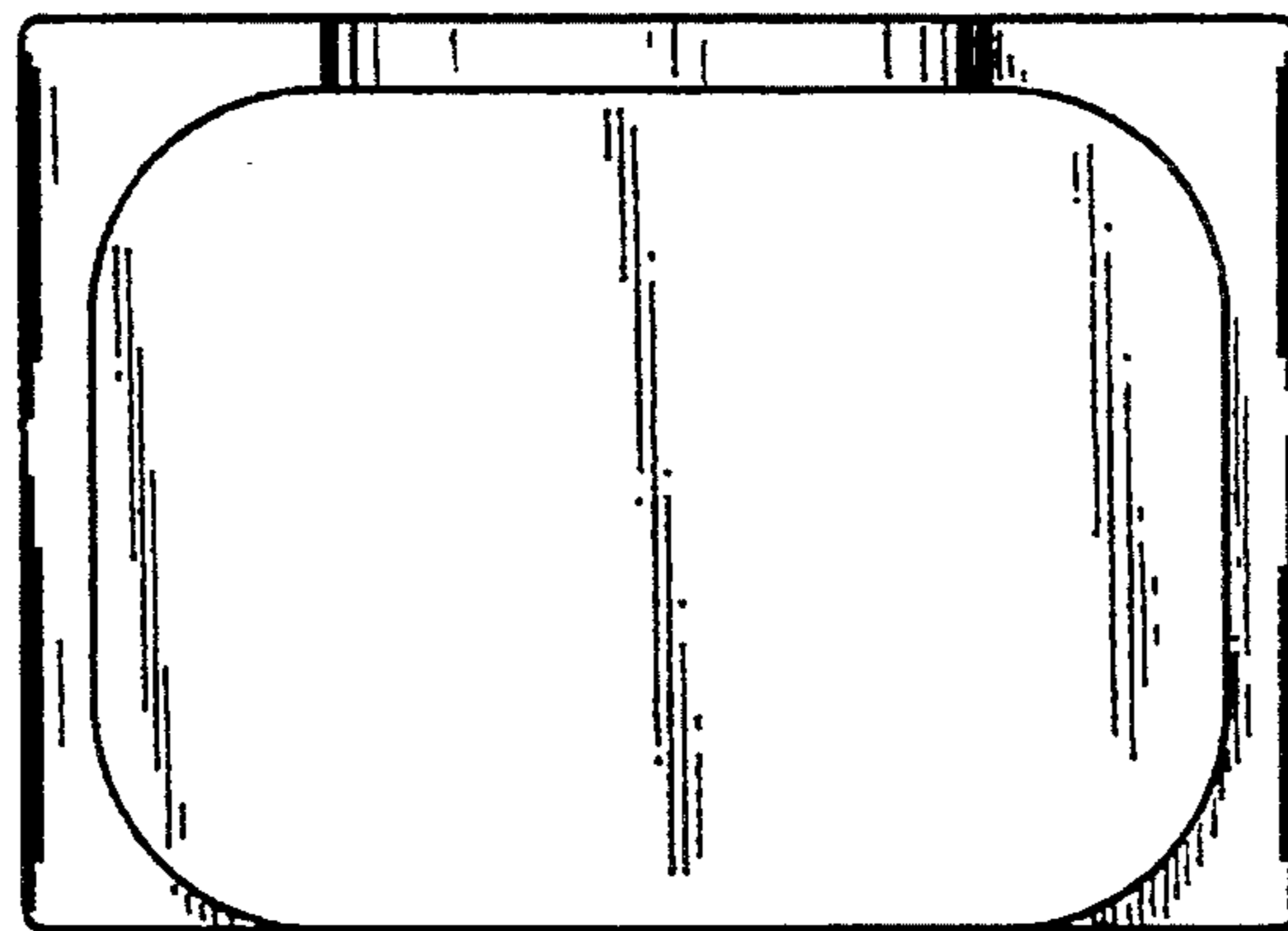


Fig. 7