



US00D359644S

United States Patent [19]

[11] Patent Number: **Des. 359,644**

O'Briant et al.

[45] Date of Patent: **** Jun. 27, 1995**

[54] **GLASS PLANT SHELF**

D. 301,424 6/1989 Beirise et al. D6/574
2,506,602 5/1950 Laystrom et al. 108/152

[76] Inventors: **Lois O'Briant; Leslie Livingston,**
both of Osacs Limited, P.O. Box 335,
Hills, Iowa 52235

Primary Examiner—Brian N. Vinson

[**] Term: **14 Years**

[57] **CLAIM**

The ornamental design for a glass plant shelf, as shown and described.

[21] Appl. No.: **9,984**

DESCRIPTION

[22] Filed: **Jun. 28, 1993**

[52] U.S. Cl. **D6/574**

[58] Field of Search D6/553, 567, 574, 511;
108/149, 151, 152; 211/134

FIG. 1 is a front elevational view of the glass plant shelf showing our new design;

FIG. 2 is a rear elevational view thereof;

FIG. 3 is a left side elevational view thereof;

FIG. 4 is a right side elevational view thereof;

FIG. 5 is a top plan view thereof;

FIG. 6 is a bottom plan view thereof; and,

FIG. 7 is an upper left perspective view thereof.

[56] **References Cited**

U.S. PATENT DOCUMENTS

D. 274,023 5/1984 Boroch D6/574

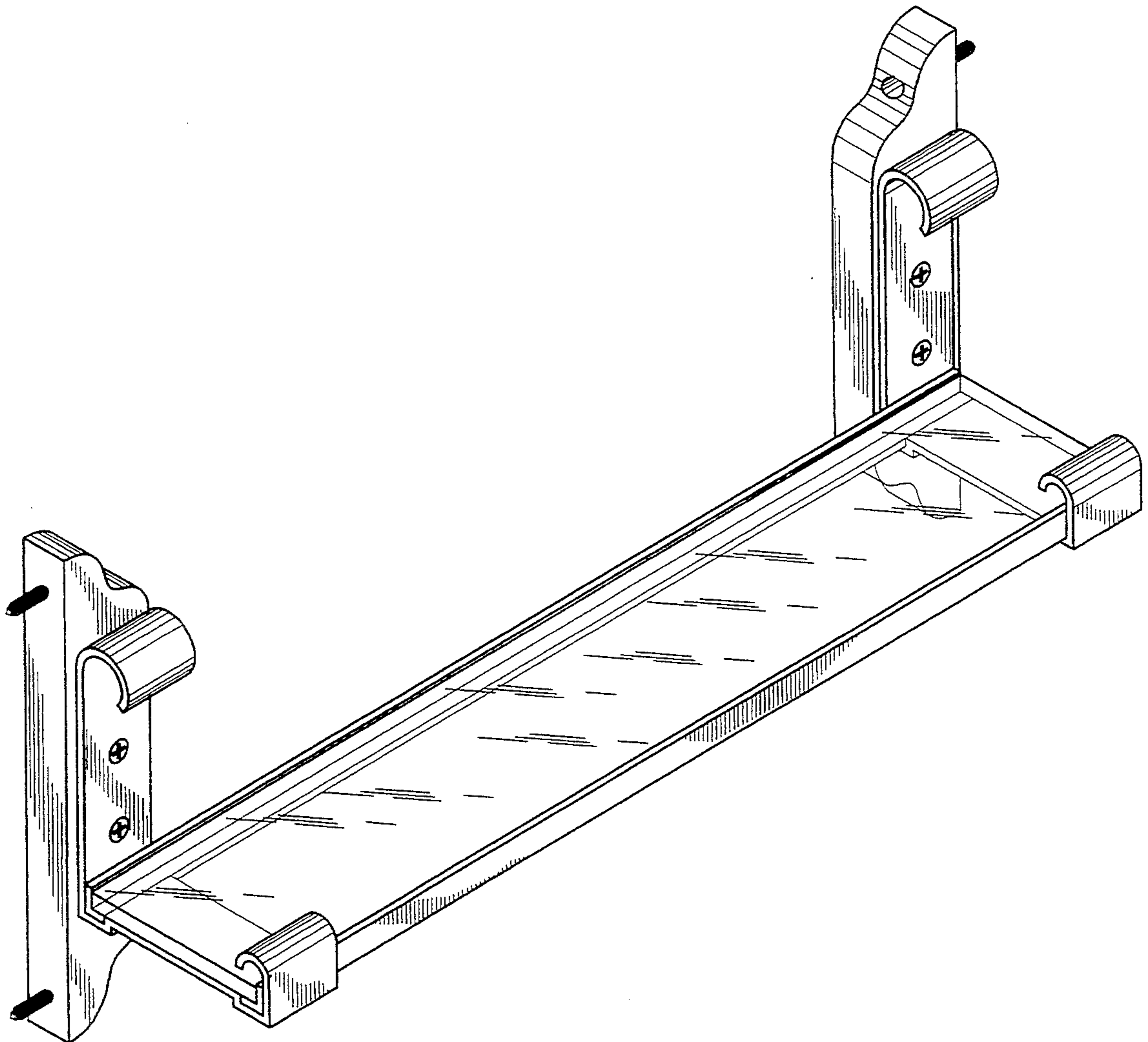


FIG. 1

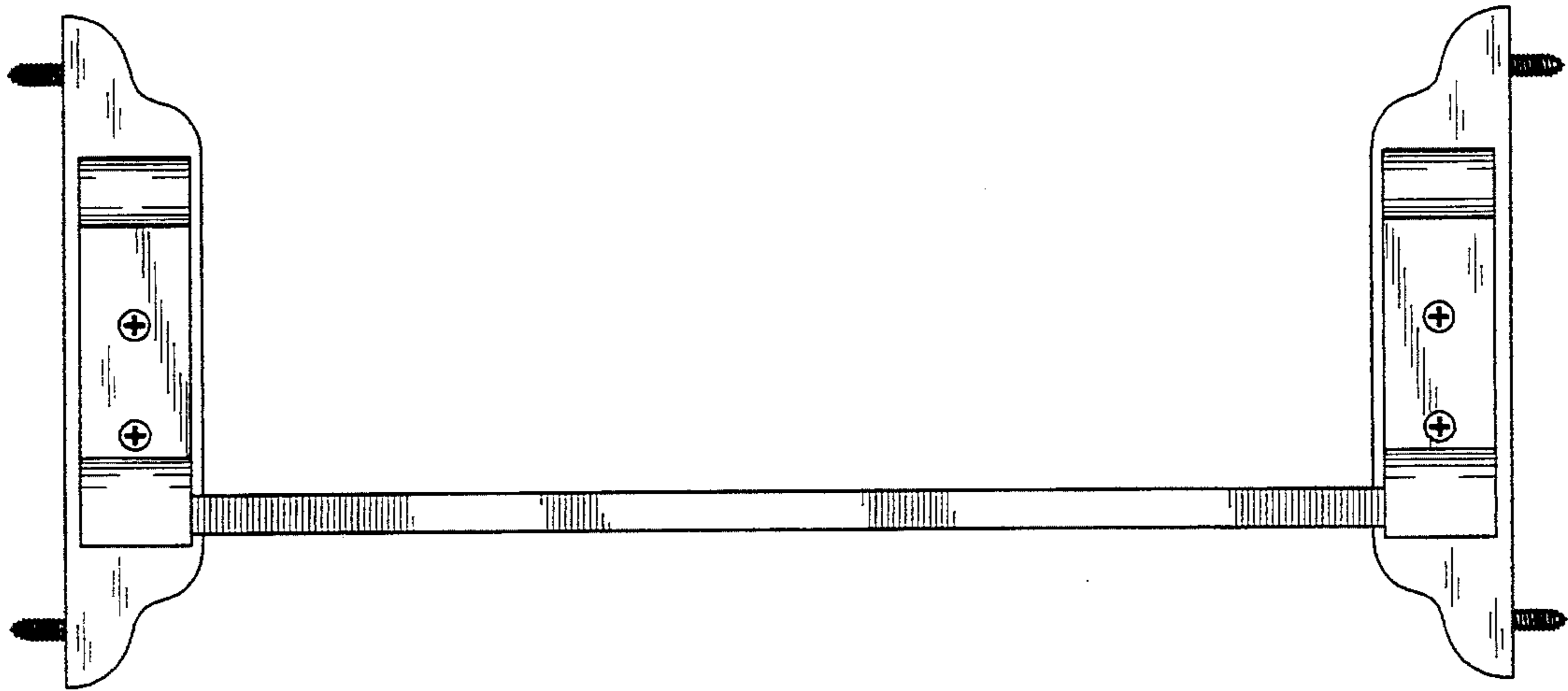


FIG. 2

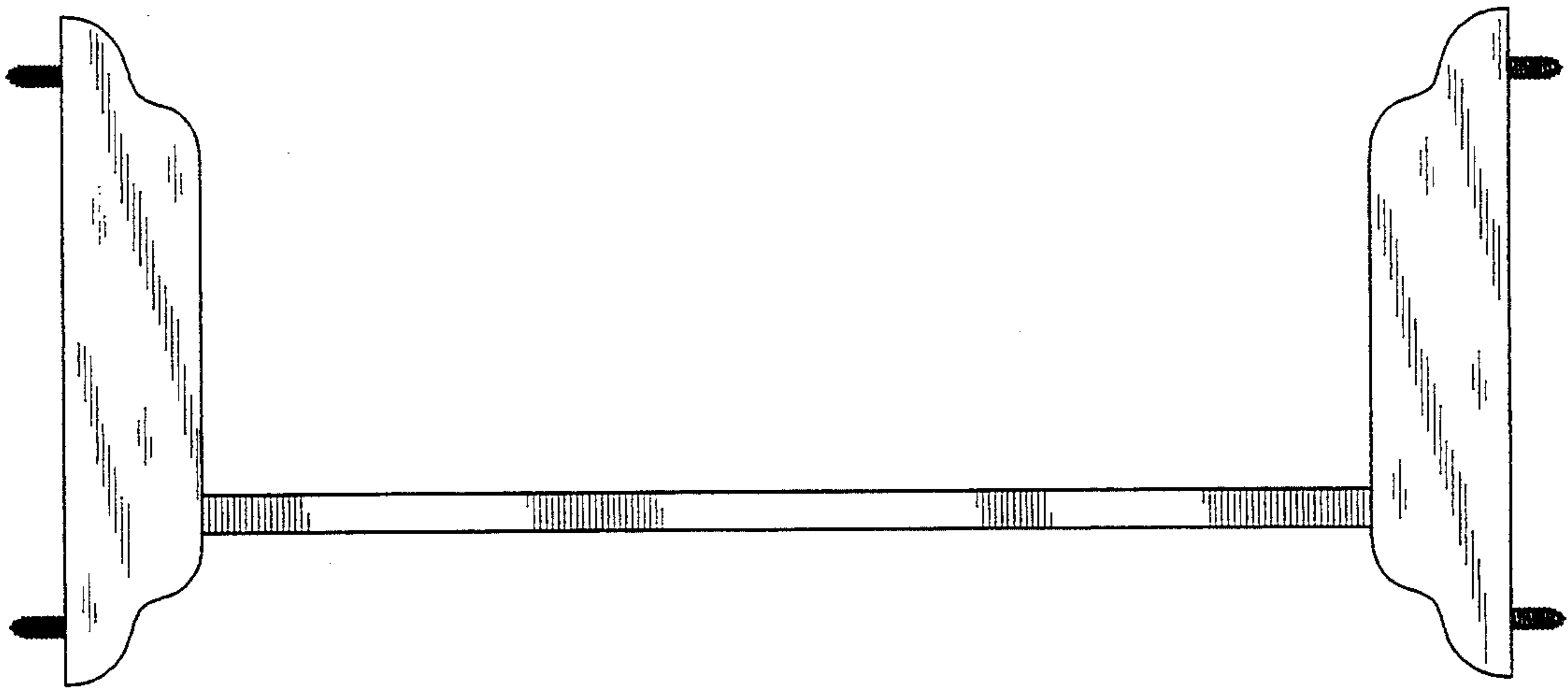


FIG. 3

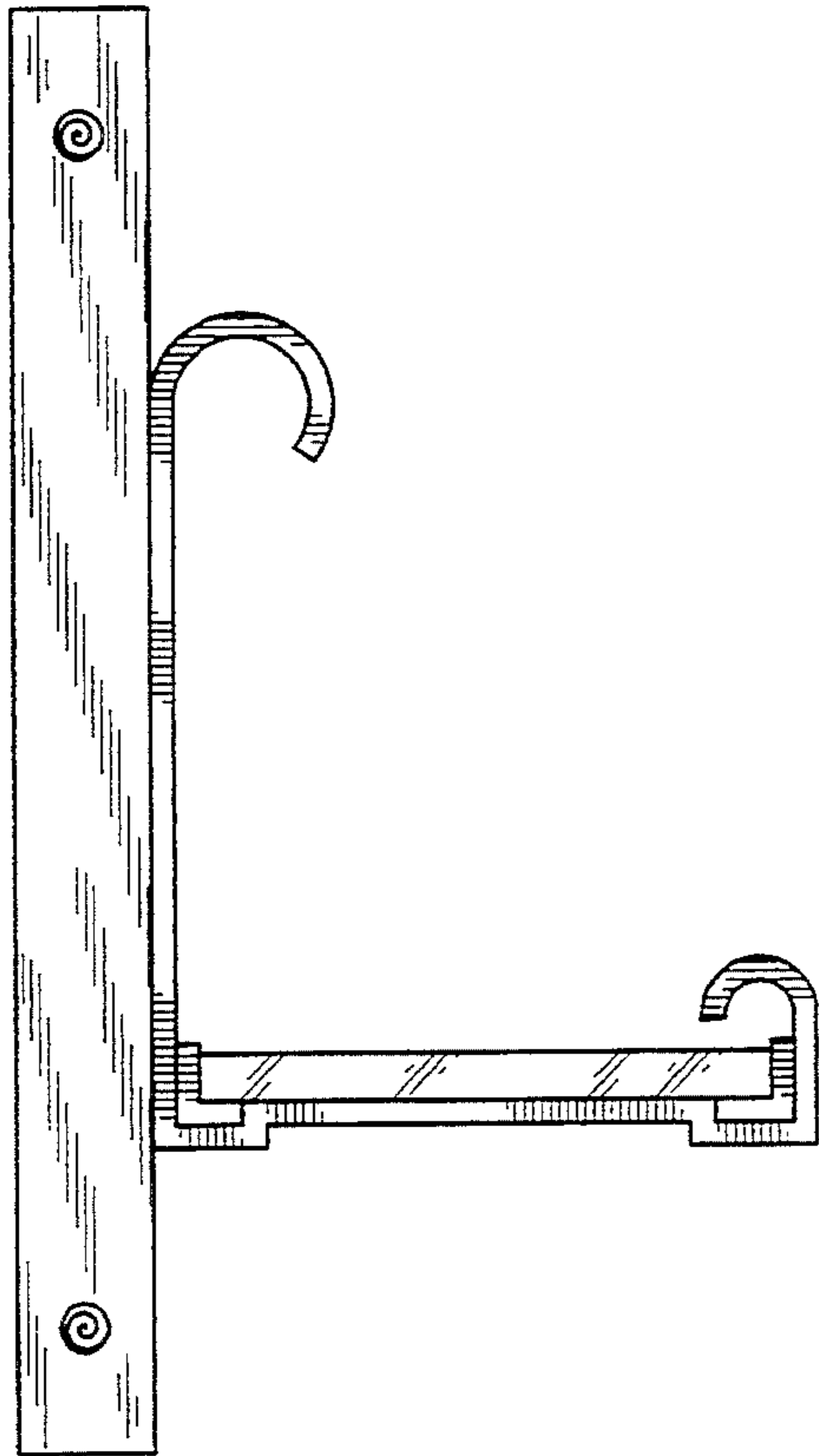


FIG. 4

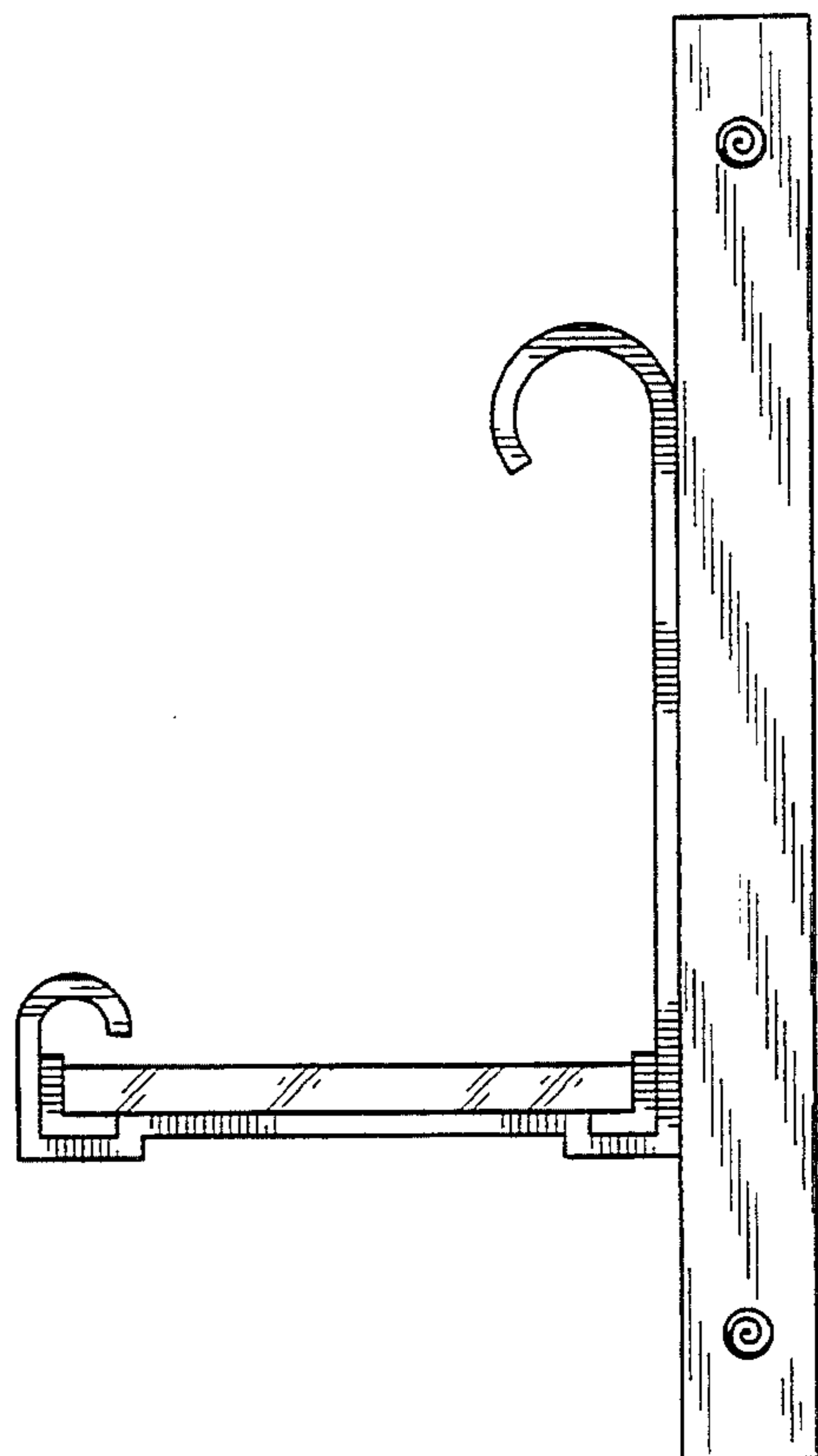


FIG. 5

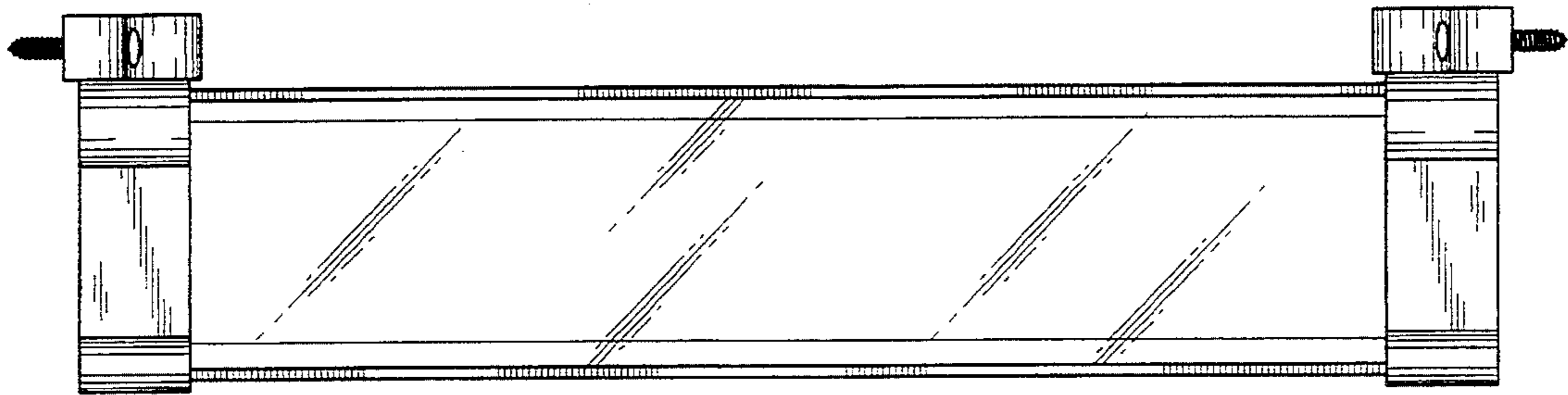
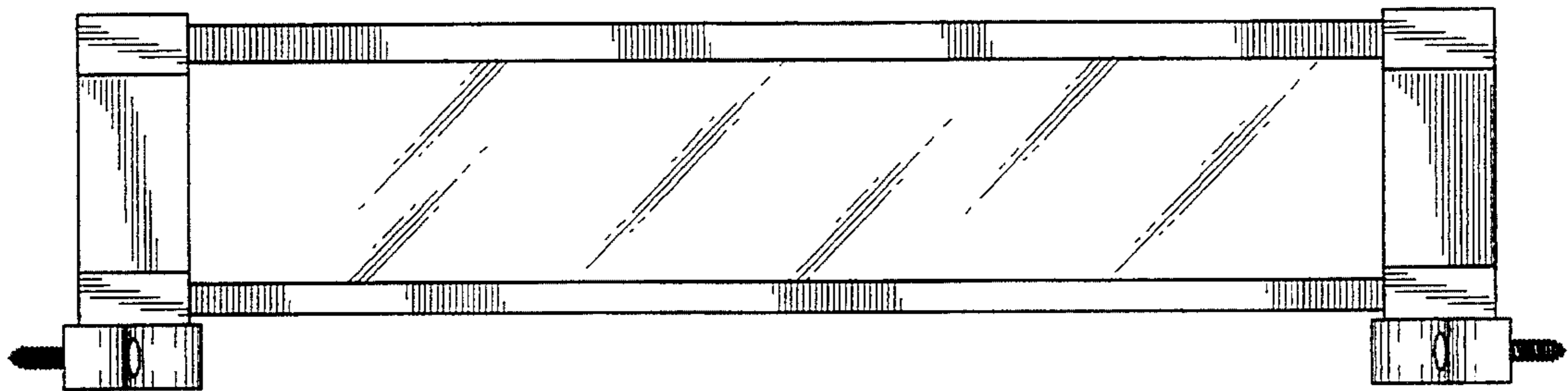


FIG. 6



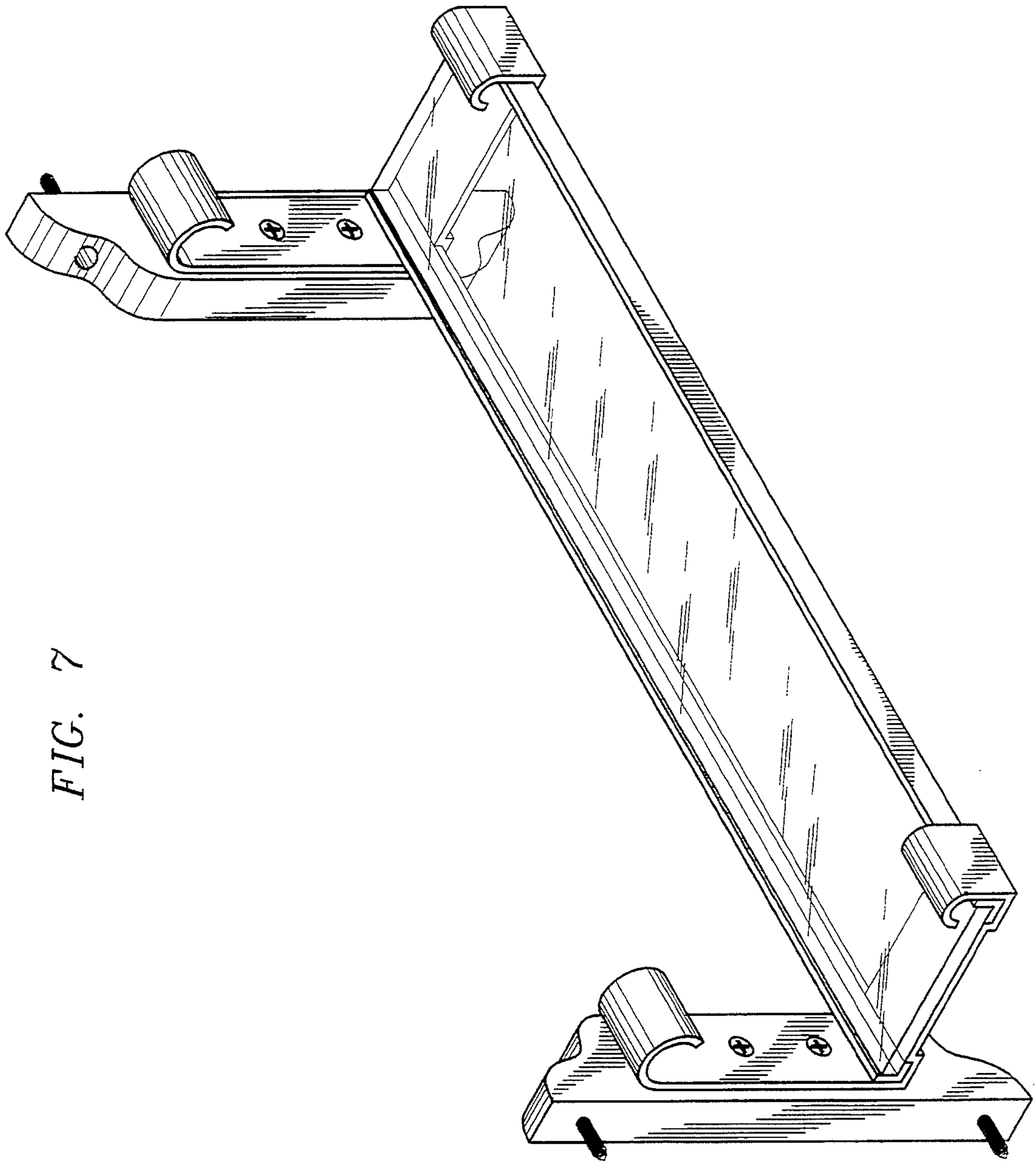


FIG. 7