



US00D359640S

# United States Patent [19]

[11] Patent Number: **Des. 359,640**

Newhouse et al.

[45] Date of Patent: **\*\* Jun. 27, 1995**

[54] **DESK RETURN**

2,495,524 1/1950 Hogan ..... 108/64  
3,533,362 10/1970 Thompson ..... 108/64

[75] Inventors: **Thomas Newhouse**, Grand Rapids;  
**Donald Shepherd**, Spring Lake, both  
of Mich.

### OTHER PUBLICATIONS

G.F. From Systems, Open Plan Solutions ©1986, in-  
side rear cover—"Action Arc Table" top right.  
PIA 1988 p. 15, #861 at top right.

[73] Assignee: **Herman Miller, Inc.**, Zeeland, Mich.

*Primary Examiner*—Janice E. Seeger  
*Attorney, Agent, or Firm*—William Brinks Hofer Gilson  
& Lione

[\*\*] Term: **14 Years**

[21] Appl. No.: **19,214**

[22] Filed: **Feb. 25, 1994**

[52] U.S. Cl. .... **D6/489; D6/484**

### [57] CLAIM

The ornamental design for a desk return, as shown and  
described.

[58] Field of Search ..... **D6/480-489,**  
**D6/495, 429-431, 511; 108/64, 153, 156, 161,**  
**65; 312/195, 198, 203**

### DESCRIPTION

[56] **References Cited**

#### U.S. PATENT DOCUMENTS

D. 178,099 6/1956 Van Koert ..... D6/483  
D. 272,102 1/1984 Olivan ..... D6/483 X  
D. 275,250 8/1984 Kirsner ..... D6/430  
D. 296,172 6/1988 Worrell et al. .... D6/511  
D. 342,634 12/1993 Barlow-Lawson ..... D6/482 X  
D. 342,873 1/1994 Dannenberg ..... D6/482 X  
1,700,203 1/1929 Baker ..... 312/203

FIG. 1 is a front perspective view showing the desk  
return; the broken line showing of the desk is for illus-  
trative purposes only;

FIG. 2 is a front view thereof;

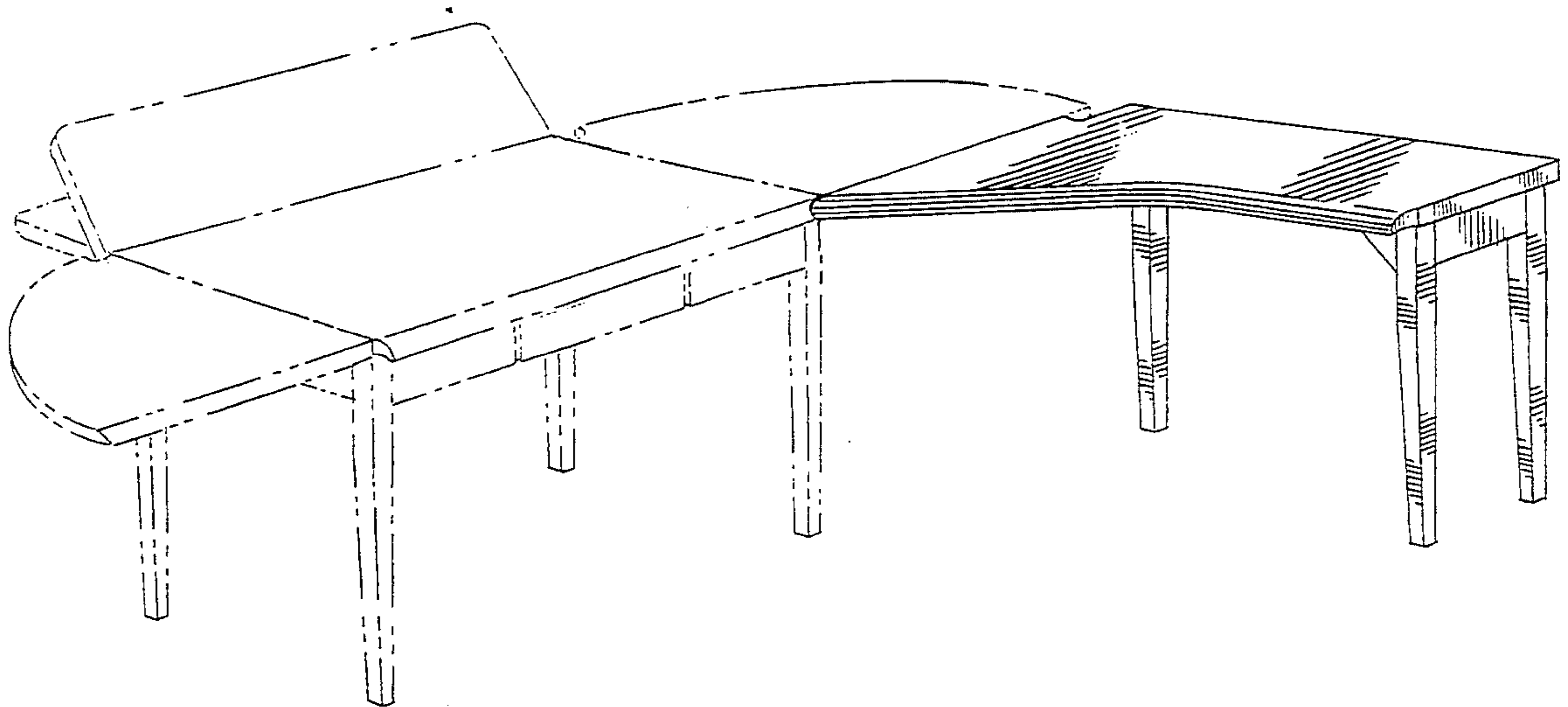
FIG. 3 is a rear view thereof;

FIG. 4 is a first side view thereof;

FIG. 5 is a second side view thereof;

FIG. 6 is a top view thereof; and,

FIG. 7 is a bottom view thereof.



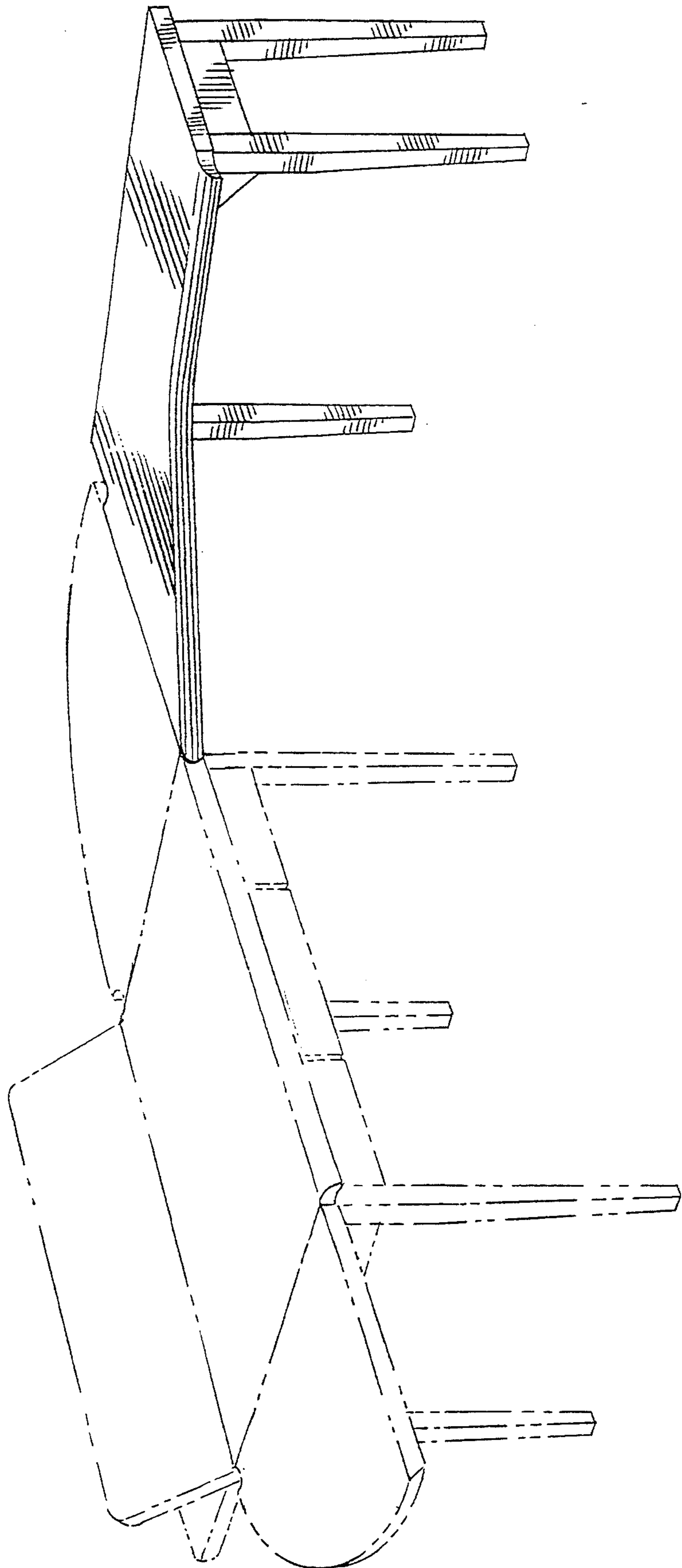


FIG.1

FIG. 2

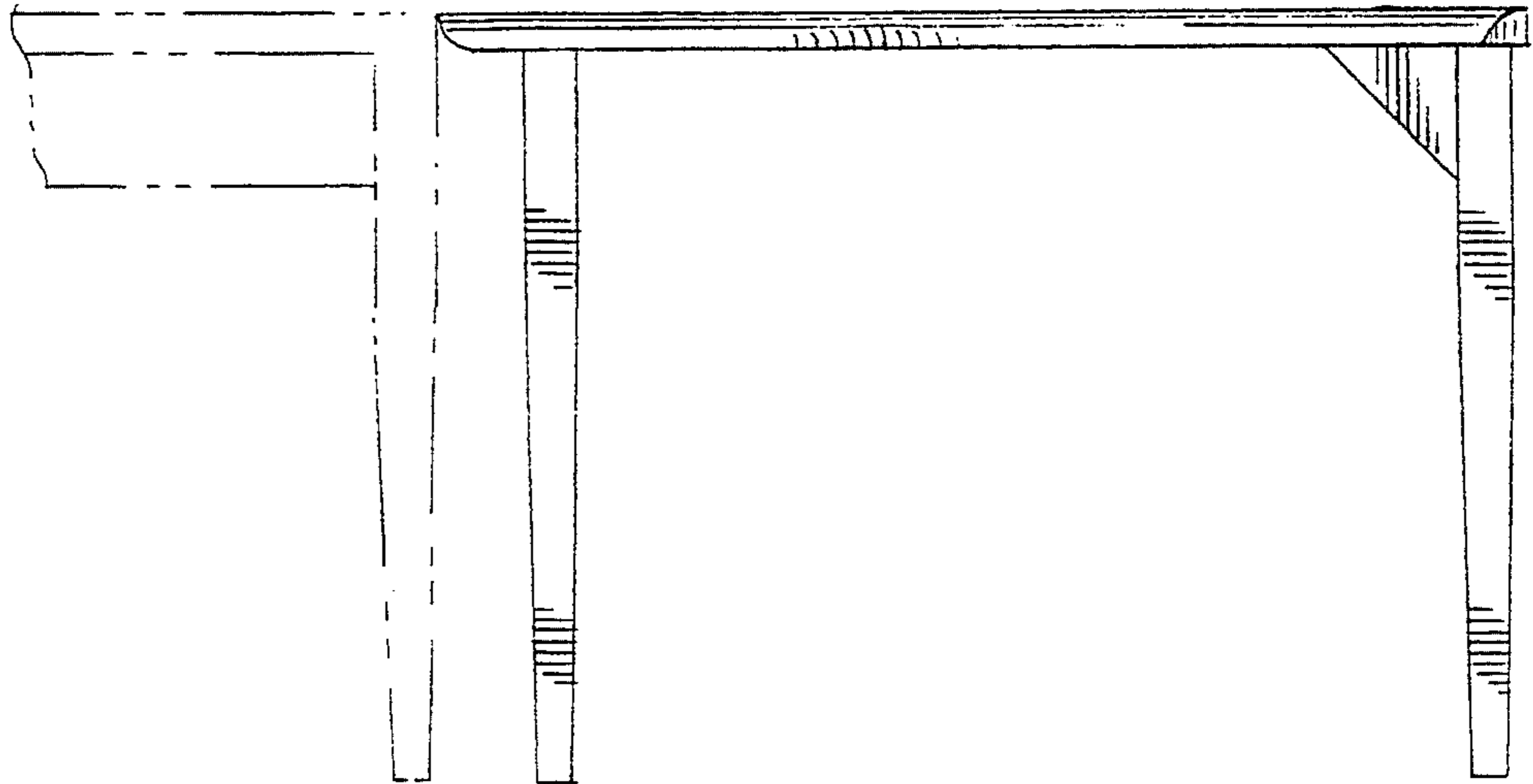
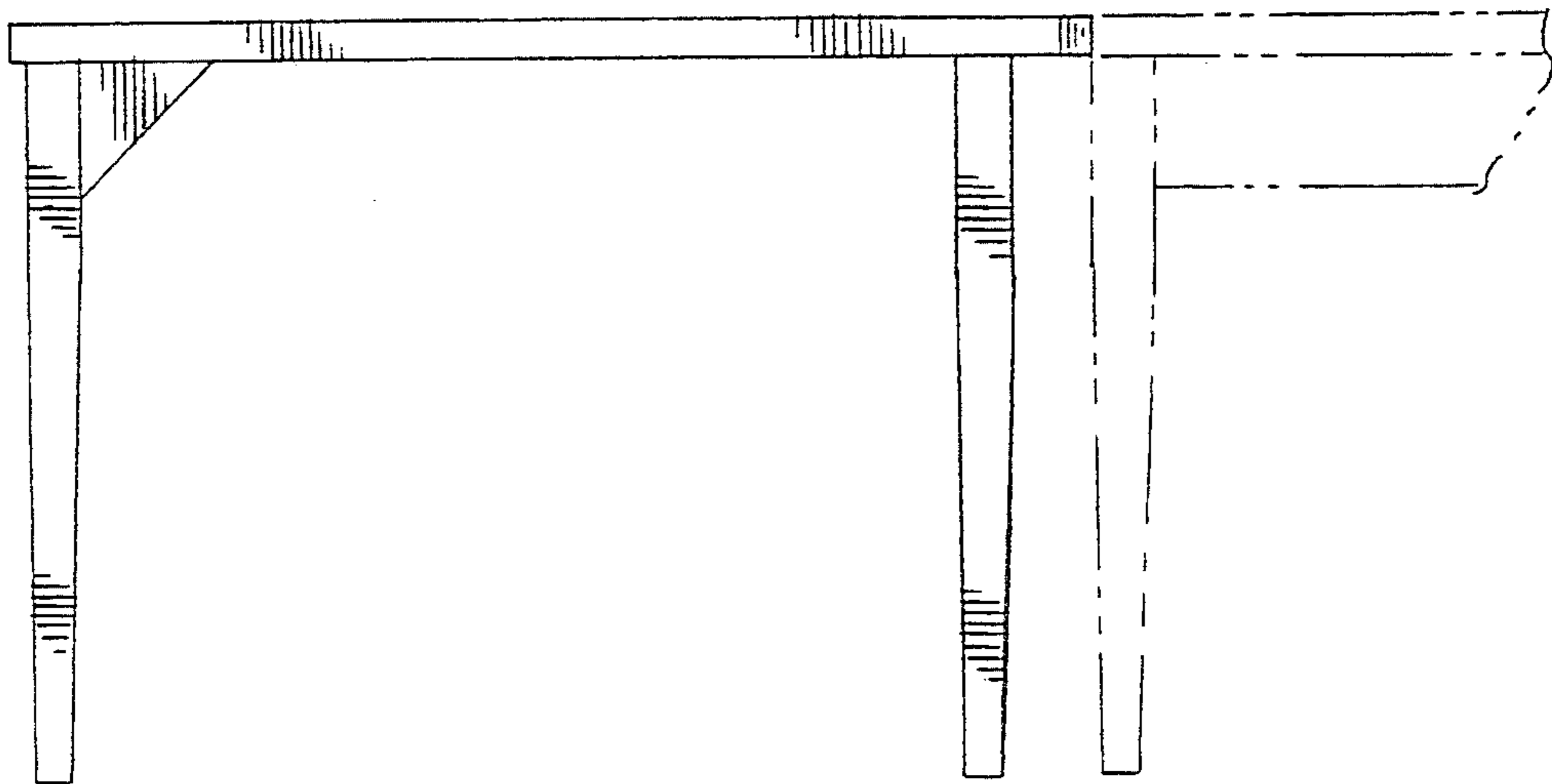


FIG. 3



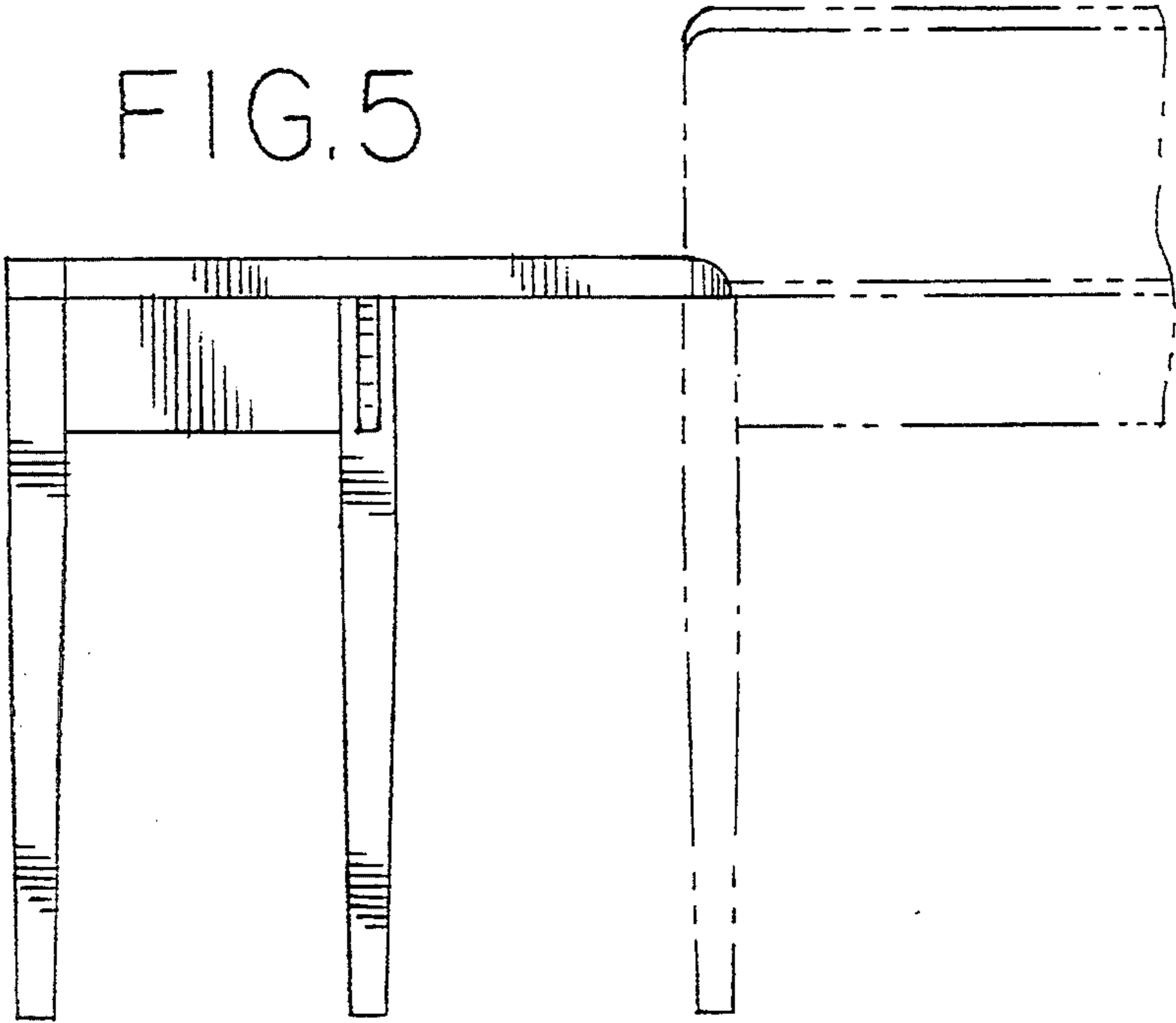
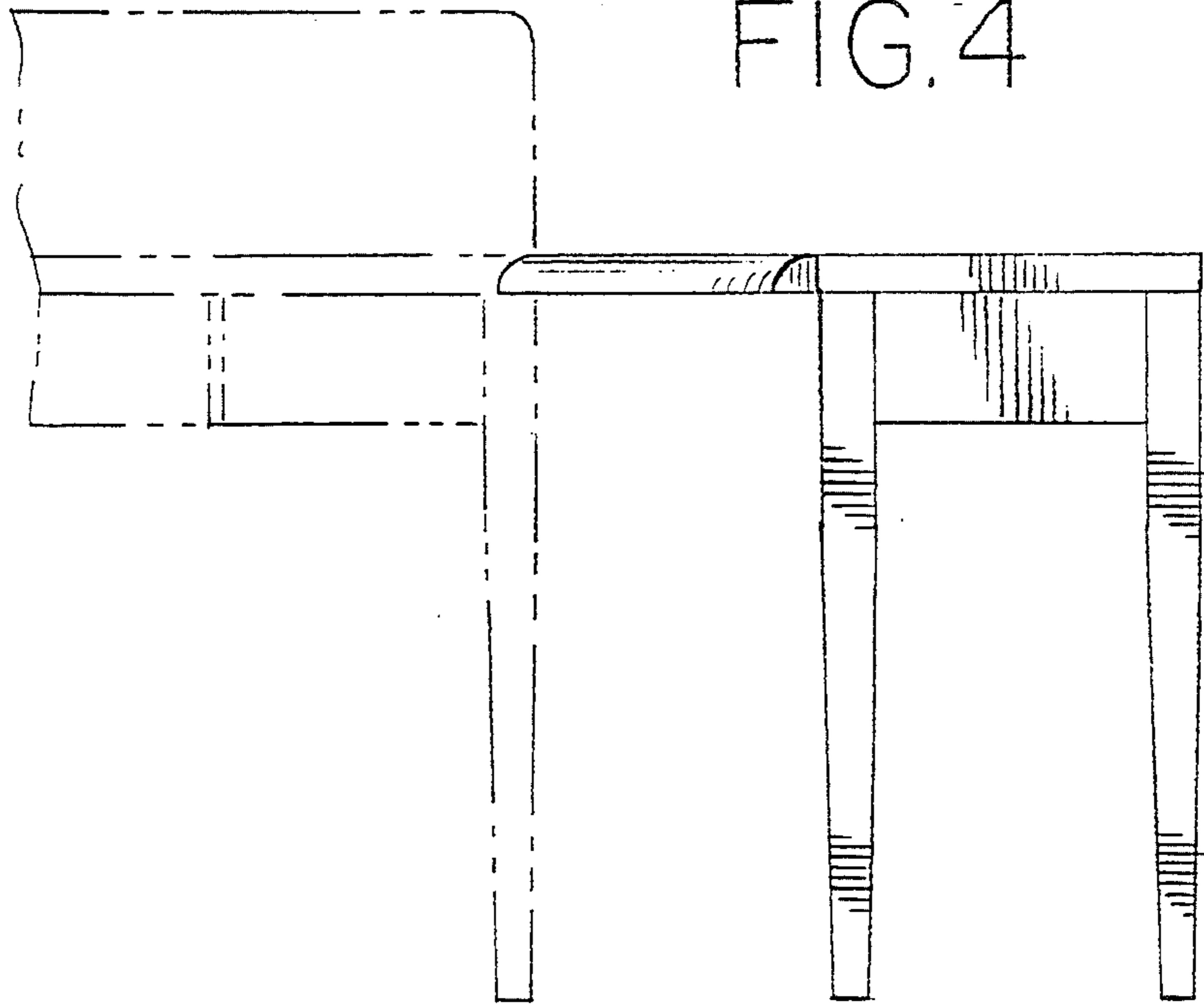


FIG.6

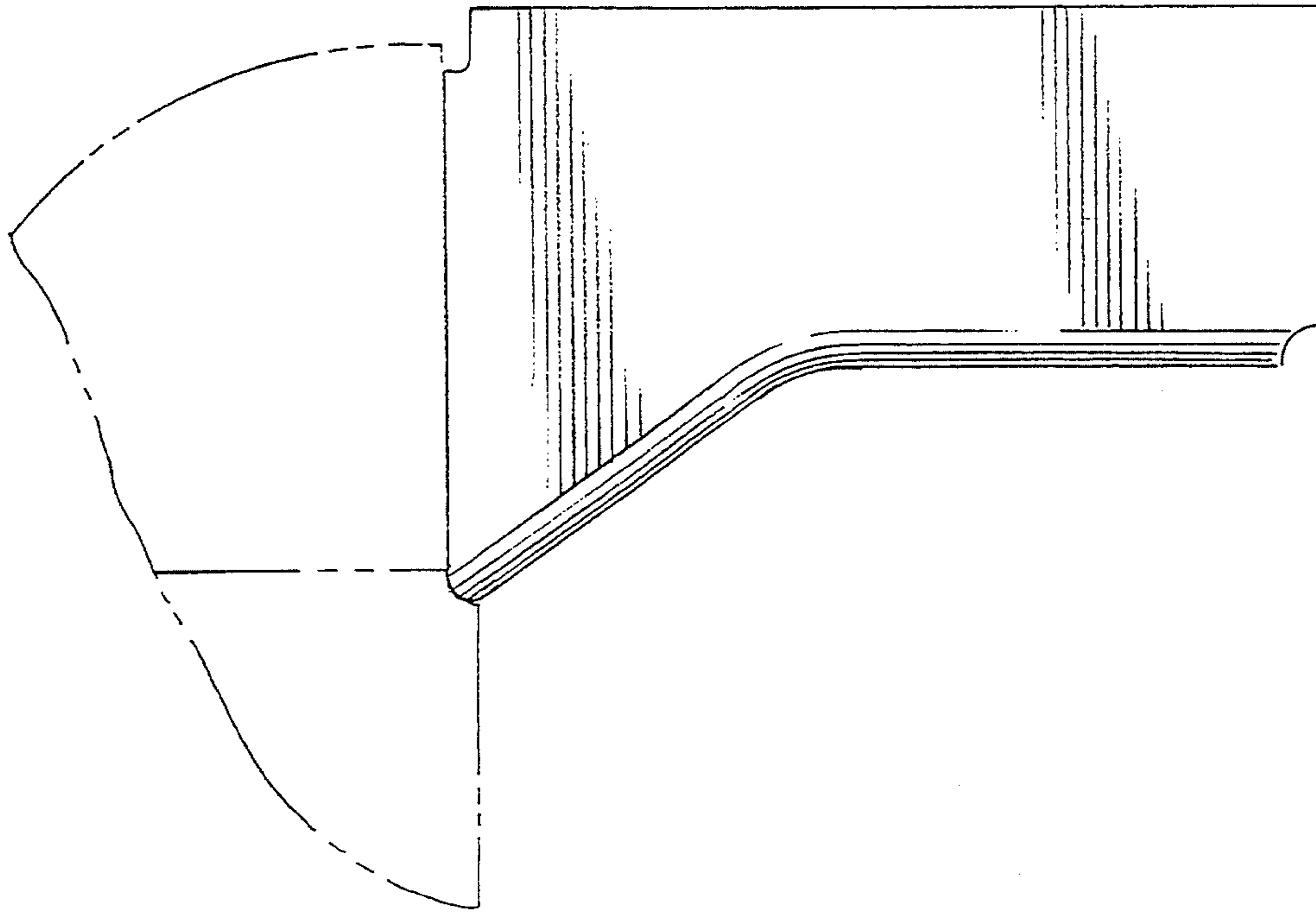


FIG.7

